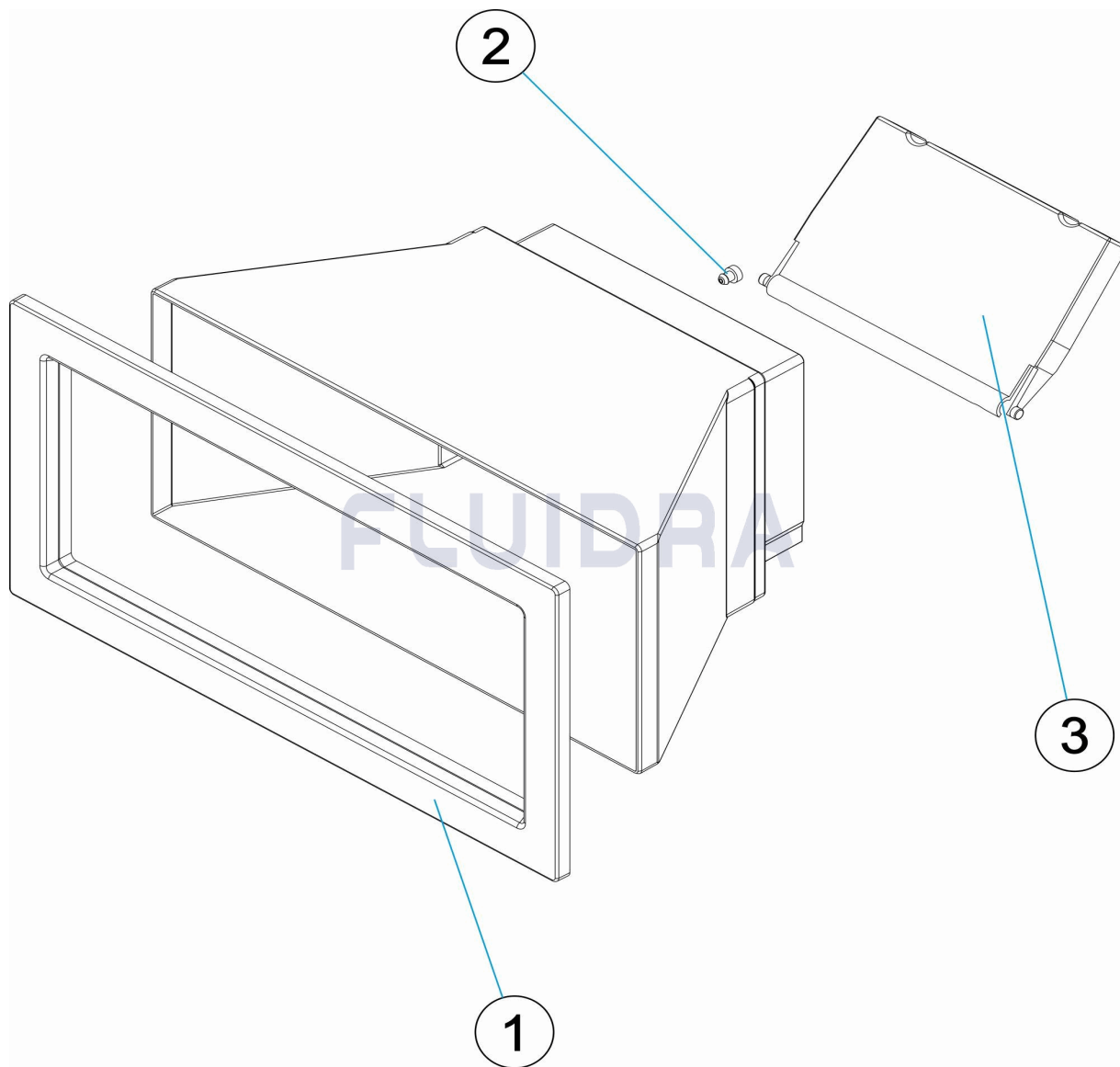


CODIGO 73166CL090, 73166CL129, 73166CL144

DESCRIPCION: KIT COLOR SKIMMER



**ESPAÑOL**

POS	CODIGO	DESCRIPCION	CANTIDAD	POS	CODIGO	DESCRIPCION	CANTIDAD
1	* 4402010156	EMBELLECEDOR BOCA		3	* 4402010076	COMPUERTA SKIMMER CON CLIP	
1	* 4402010157	EMBELLECEDOR BOCA		3	* 4402010079	COMPUERTA SKIMMER CON CLIP	
1	* 4402010158	EMBELLECEDOR BOCA		3	* 4402010080	COMPUERTA SKIMMER CON CLIP	
2	4402010160	TAPON AMORTIGUADOR					

**CODIGO**                    **73166CL090, 73166CL129, 73166CL144**

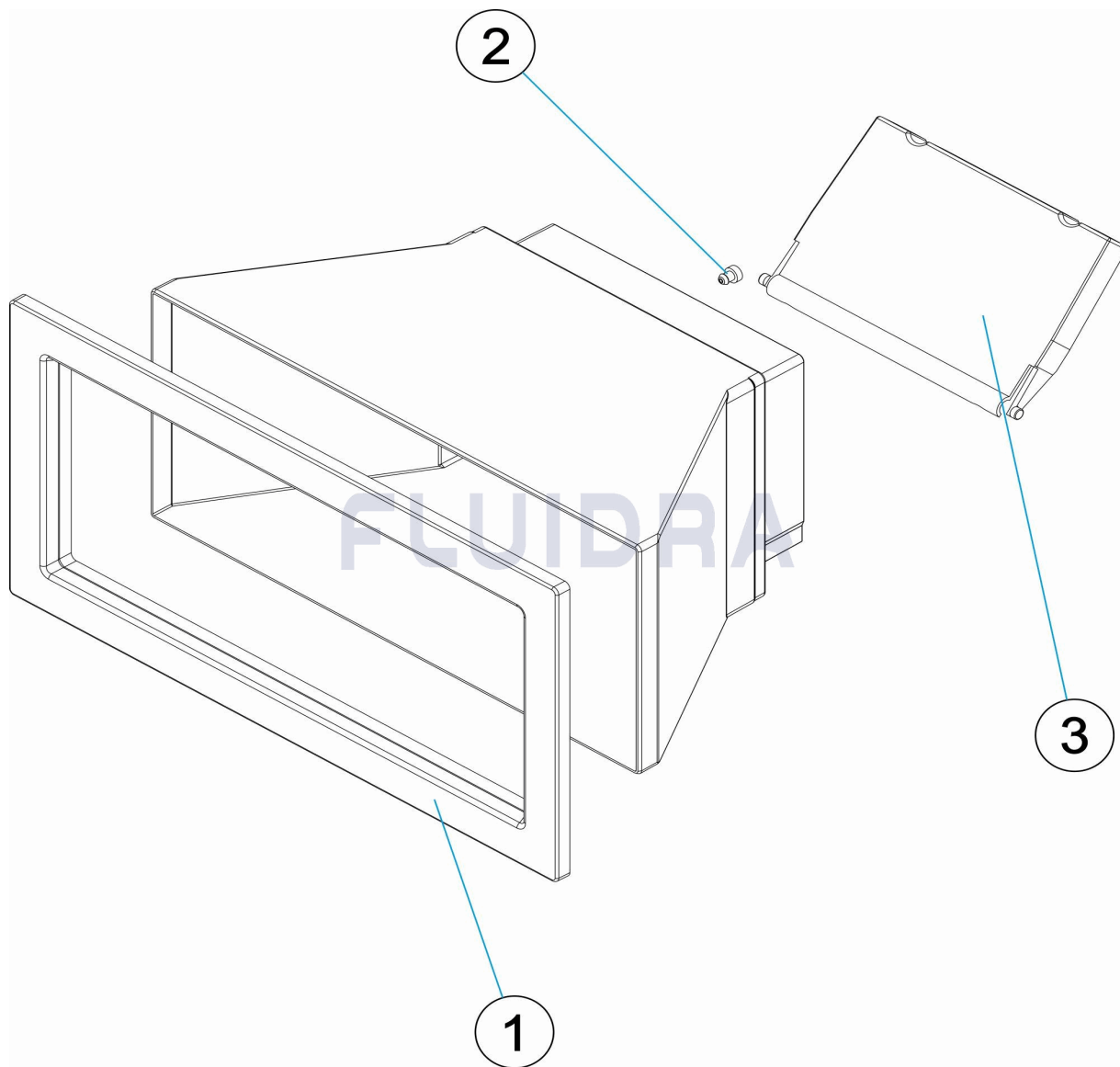
**DESCRIPCION: KIT COLOR SKIMMER**

## OBSERVACIONES

POS	CODIGO	OBSERVACIONES
1	* 4402010156	PARA: 73166CL090 BEIGE
1	* 4402010157	PARA: 73166CL129 GREY
1	* 4402010158	PARA: 73166CL144 ANTHRACITE
3	* 4402010076	PARA: 73166CL090 BEIGE
3	* 4402010079	PARA: 73166CL129 GREY
3	* 4402010080	PARA: 73166CL144 ANTHRACITE

CODE 73166CL090, 73166CL129, 73166CL144

DESCRIPTION: KIT COULEUR SKIMMER



**FRANCAIS**

POS	CODE	DESCRIPTION	QUANTITE	POS	CODE	DESCRIPTION	QUANTITE
1	* 4402010156	ENJOLIVEUR		3	* 4402010076	VOLET DE SKIMMER	
1	* 4402010157	ENJOLIVEUR		3	* 4402010079	VOLET DE SKIMMER	
1	* 4402010158	ENJOLIVEUR		3	* 4402010080	VOLET DE SKIMMER	
2	4402010160	BOUCHON AMORTISSEUR					

CODE **73166CL090, 73166CL129, 73166CL144**

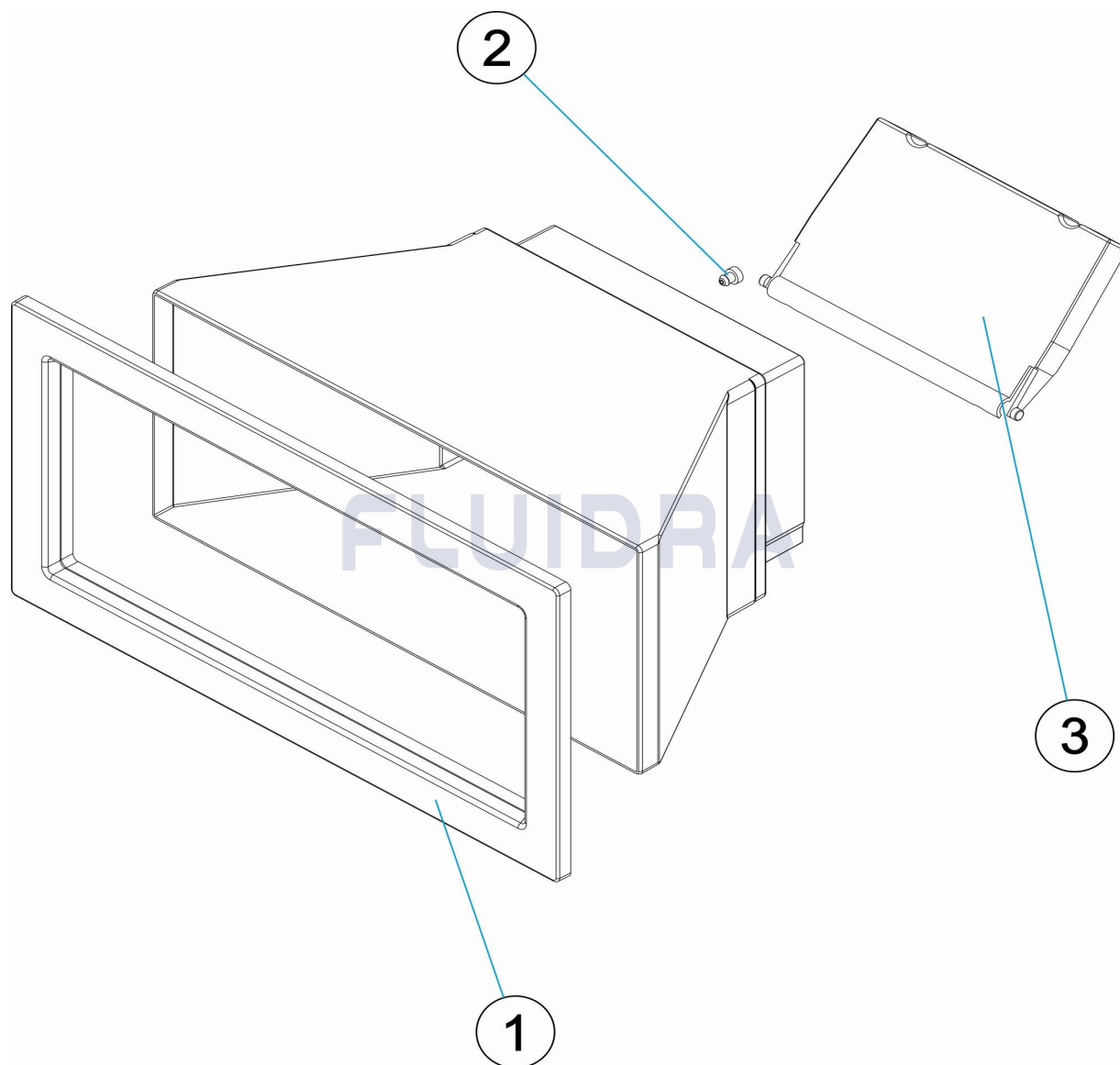
DESCRIPTION: **KIT COULEUR SKIMMER**

**OBSERVATIONS**

POS	CODE	OBSERVATIONS
1	* 4402010156	POUR: 73166CL090 BEIGE
1	* 4402010157	POUR: 73166CL129 GREY
1	* 4402010158	POUR: 73166CL144 ANTHRACITE
3	* 4402010076	POUR: 73166CL090 BEIGE
3	* 4402010079	POUR: 73166CL129 GREY
3	* 4402010080	POUR: 73166CL144 ANTHRACITE

CODE 73166CL090, 73166CL129, 73166CL144

DESCRIPTION: COLOR SKIMMER KIT



**ENGLISH**

POS	CODE	DESCRIPTION	QUANTITY	POS	CODE	DESCRIPTION	QUANTITY
1	* 4402010156	PLATE APERTURE		3	* 4402010076	SKIMMER FLAP	
1	* 4402010157	PLATE APERTURE		3	* 4402010079	SKIMMER FLAP	
1	* 4402010158	PLATE APERTURE		3	* 4402010080	SKIMMER FLAP	
2	4402010160	SHOCK ABSORBER PLUG					

CODE                    **73166CL090, 73166CL129, 73166CL144**

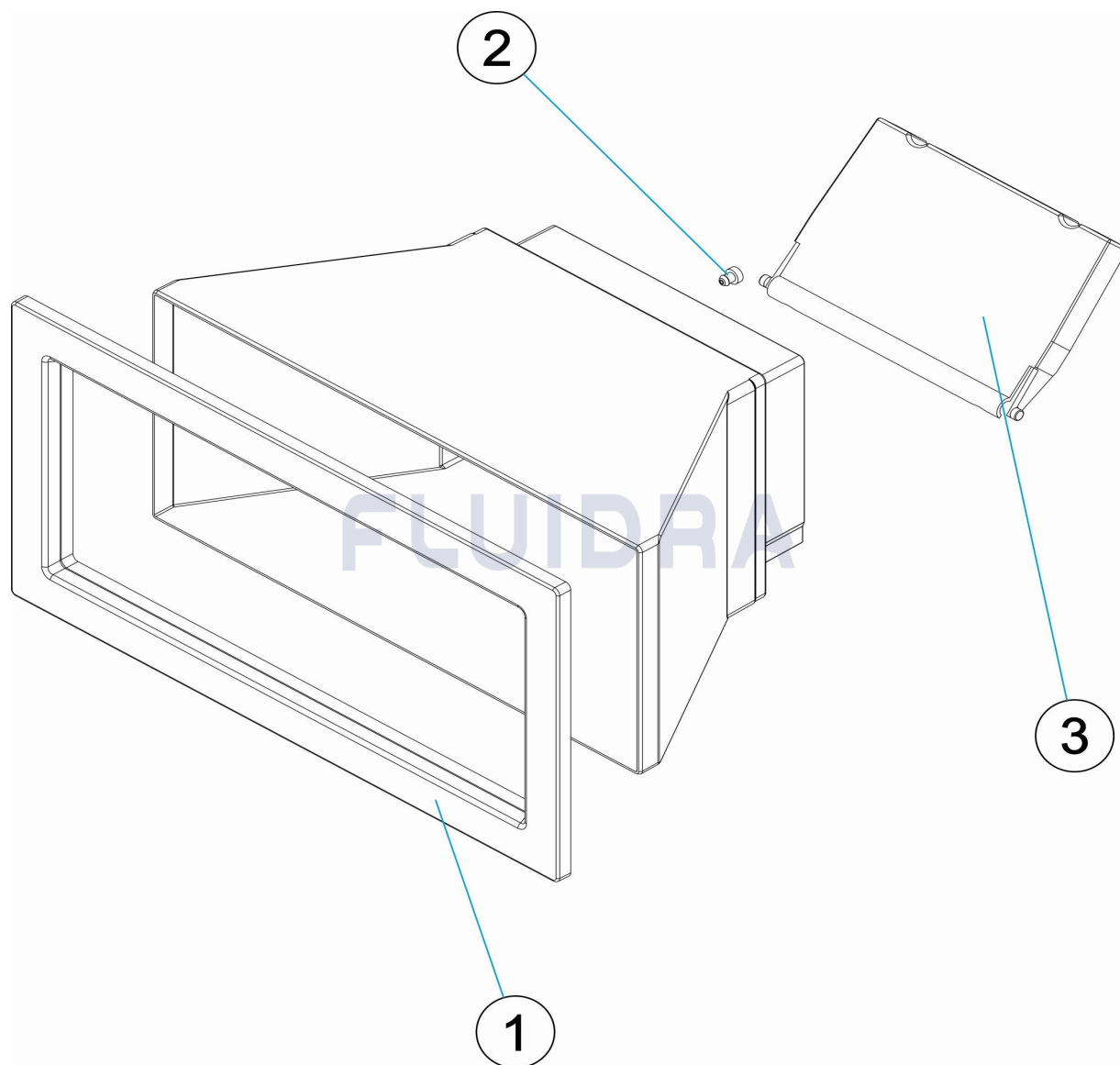
DESCRIPTION: **COLOR SKIMMER KIT**

## OBSERVATIONS

POS	CODE	OBSERVATIONS
1	* 4402010156	FOR: 73166CL090 BEIGE
1	* 4402010157	FOR: 73166CL129 GREY
1	* 4402010158	FOR: 73166CL144 ANTHRACITE
3	* 4402010076	FOR: 73166CL090 BEIGE
3	* 4402010079	FOR: 73166CL129 GREY
3	* 4402010080	FOR: 73166CL144 ANTHRACITE

CODICE 73166CL090, 73166CL129, 73166CL144

DESCRIZIONE: KIT COLORE SKIMMER



**ITALIANO**

POS	CODICE	DESCRIZIONE	QUANTITA'	POS	CODICE	DESCRIZIONE	QUANTITA'
1	* 4402010156	FLANGIA DI RIFINITURA		3	* 4402010076	BATTENTE SKIMMER CON CLIP	
1	* 4402010157	FLANGIA DI RIFINITURA		3	* 4402010079	BATTENTE SKIMMER CON CLIP	
1	* 4402010158	FLANGIA DI RIFINITURA		3	* 4402010080	BATTENTE SKIMMER CON CLIP	
2	4402010160	TAPPO AMMORTIZZATORE					

**CODICE**                    **73166CL090, 73166CL129, 73166CL144**

**DESCRIZIONE: KIT COLORE SKIMMER**

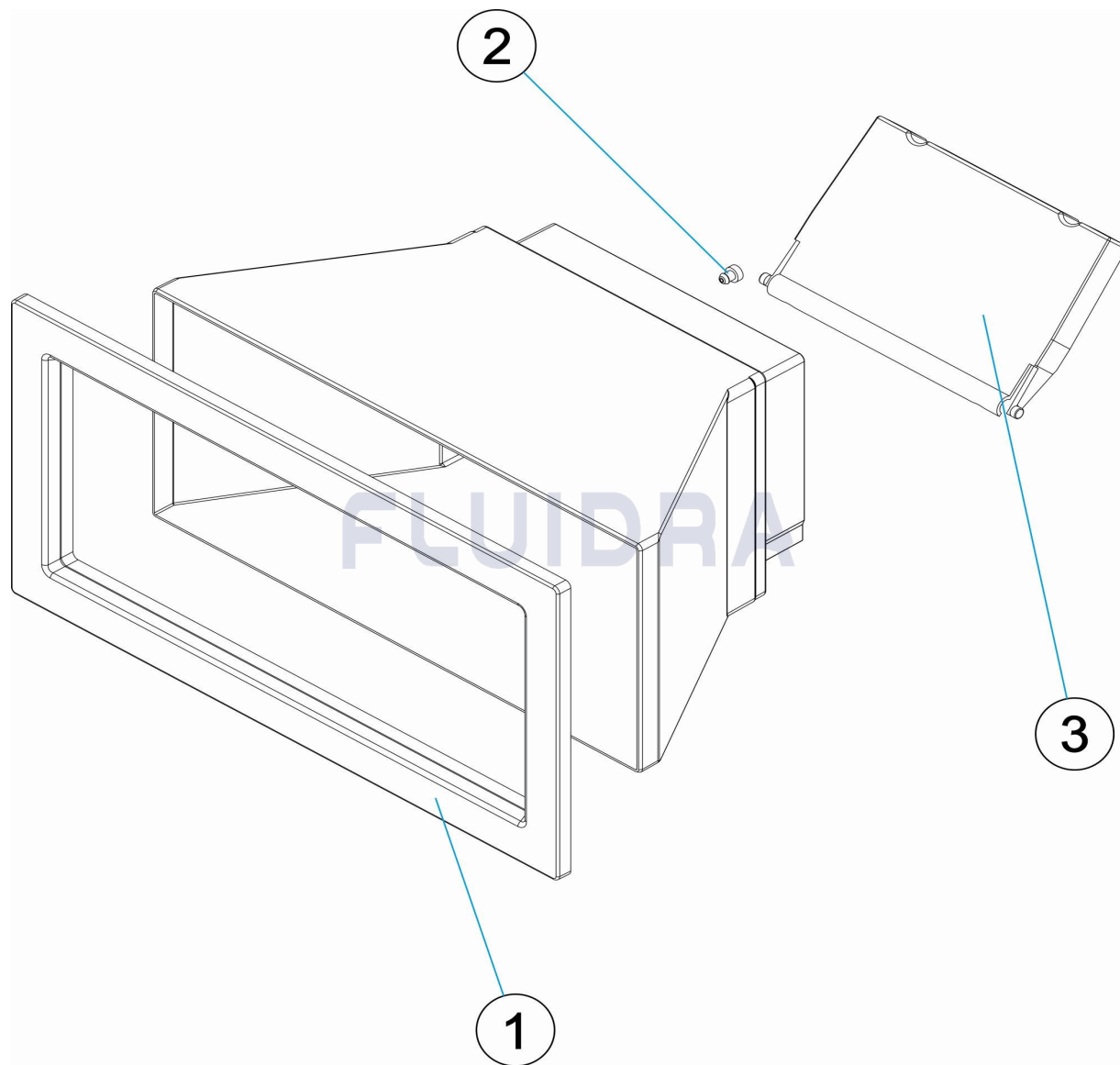
## OSSERVAZIONI

POS	CODICE	OSSERVAZIONI
1	* 4402010156	PER: 73166CL090 BEIGE
1	* 4402010157	PER: 73166CL129 GREY
1	* 4402010158	PER: 73166CL144 ANTHRACITE
3	* 4402010076	PER: 73166CL090 BEIGE
3	* 4402010079	PER: 73166CL129 GREY
3	* 4402010080	PER: 73166CL144 ANTHRACITE



CODE 73166CL090, 73166CL129, 73166CL144

BESCHREIBUNG: SKIMMER FARB-KIT



**DEUTSCH**

POS	CODE	BESCHREIBUNG	MENGE	POS	CODE	BESCHREIBUNG	MENGE
1	* 4402010156	BLLENDE EINLASS		3	* 4402010076	SKIMMERKLAPPE MIT CLIP	
1	* 4402010157	BLLENDE EINLASS		3	* 4402010079	SKIMMERKLAPPE MIT CLIP	
1	* 4402010158	BLLENDE EINLASS		3	* 4402010080	SKIMMERKLAPPE MIT CLIP	
2	4402010160	STOSSDÄMPFERSTOPFEN					

CODE                    **73166CL090, 73166CL129, 73166CL144**

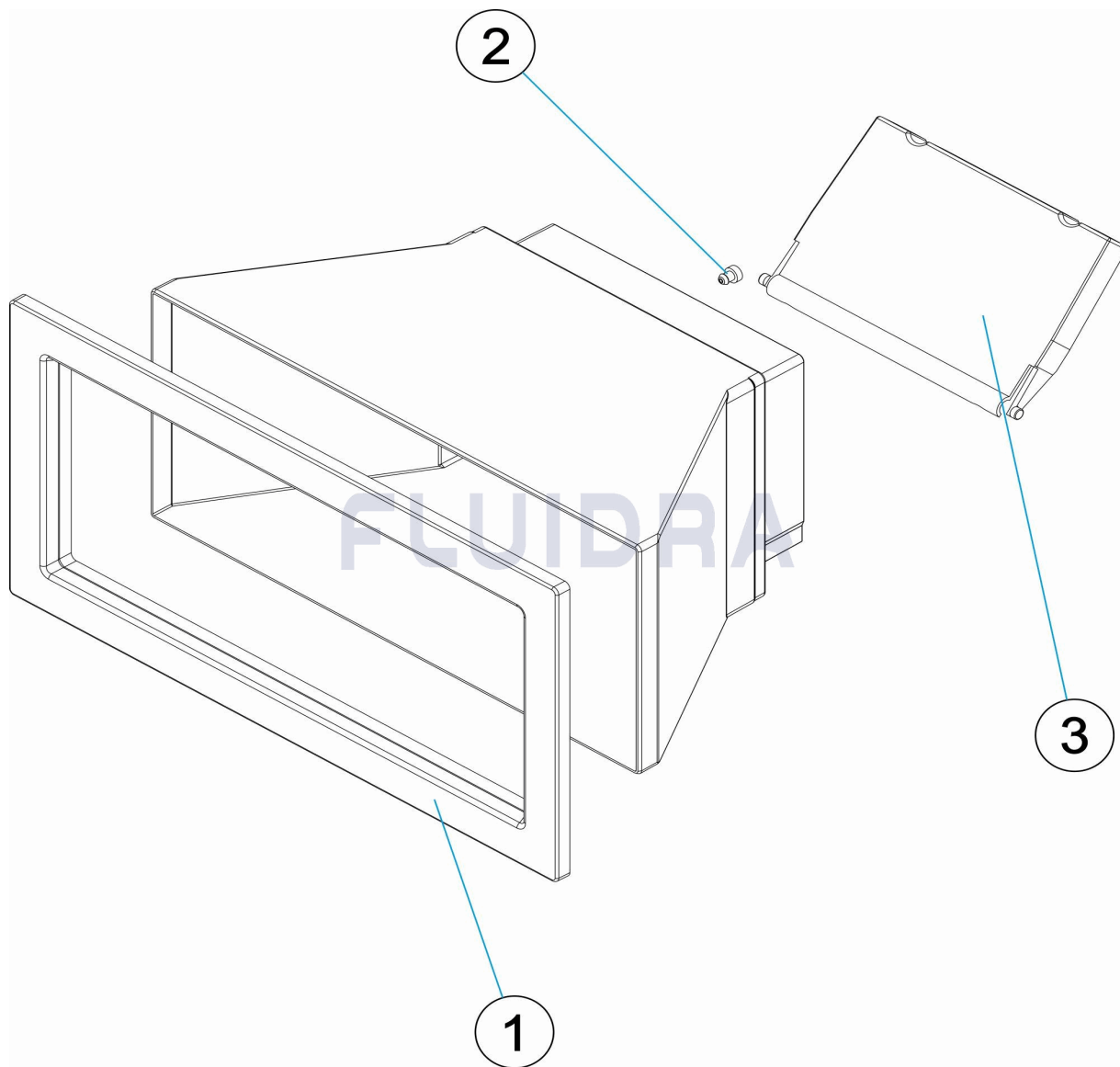
BESCHREIBUNG: **SKIMMER FARB-KIT**

## HINWEISE

POS	CODE	HINWEISE
1	* 4402010156	FÜR: 73166CL090 BEIGE
1	* 4402010157	FÜR: 73166CL129 GREY
1	* 4402010158	FÜR: 73166CL144 ANTHRACITE
3	* 4402010076	FÜR: 73166CL090 BEIGE
3	* 4402010079	FÜR: 73166CL129 GREY
3	* 4402010080	FÜR: 73166CL144 ANTHRACITE

CODIGO 73166CL090, 73166CL129, 73166CL144

DESCRIÇÃO: KIT COLOR SKIMMER



**PORTUGUES**

POS	CODIGO	DESCRIÇÃO	JANTIDADE	POS	CODIGO	DESCRIÇÃO	JANTIDADE
1	* 4402010156	EMBELEZADOR BOCA		3	* 4402010076	COMPORTA SKIMMER CLIP	
1	* 4402010157	EMBELEZADOR BOCA		3	* 4402010079	COMPORTA SKIMMER CLIP	
1	* 4402010158	EMBELEZADOR BOCA		3	* 4402010080	COMPORTA SKIMMER CLIP	
2	4402010160	TAMPÃO AMORTECEDOR					

**CODIGO**                    **73166CL090, 73166CL129, 73166CL144**

**DESCRIÇÃO: KIT COLOR SKIMMER**

## OBSERVAÇÕES

POS	CODIGO	OBSERVAÇÕES
1	* 4402010156	PARA: 73166CL090 BEIGE
1	* 4402010157	PARA: 73166CL129 GREY
1	* 4402010158	PARA: 73166CL144 ANTHRACITE
3	* 4402010076	PARA: 73166CL090 BEIGE
3	* 4402010079	PARA: 73166CL129 GREY
3	* 4402010080	PARA: 73166CL144 ANTHRACITE