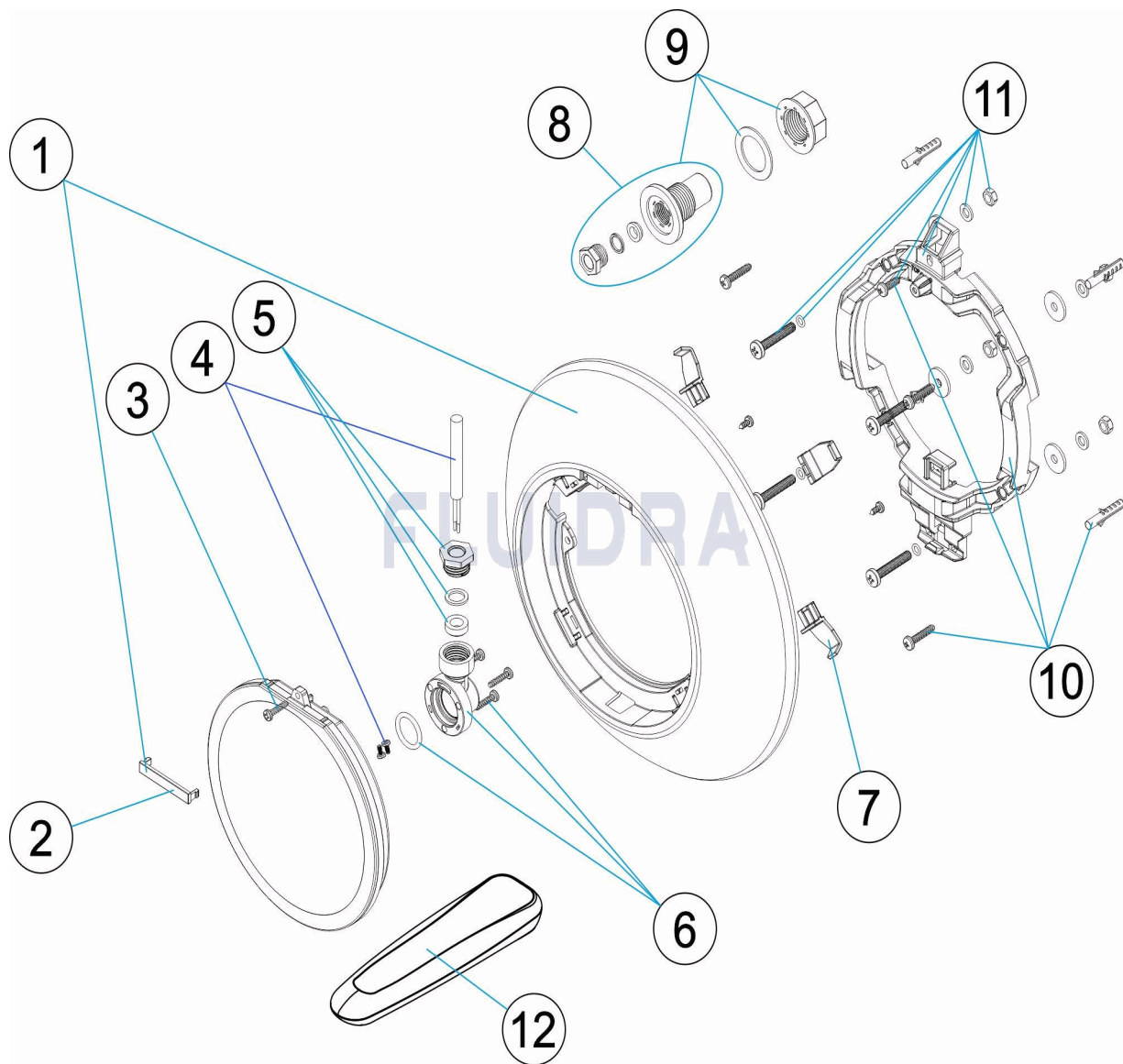


CODIGO 71223, 71224

DESCRIPCION: PUNTO DE LUZ FLEXISLIM



ESPAÑOL

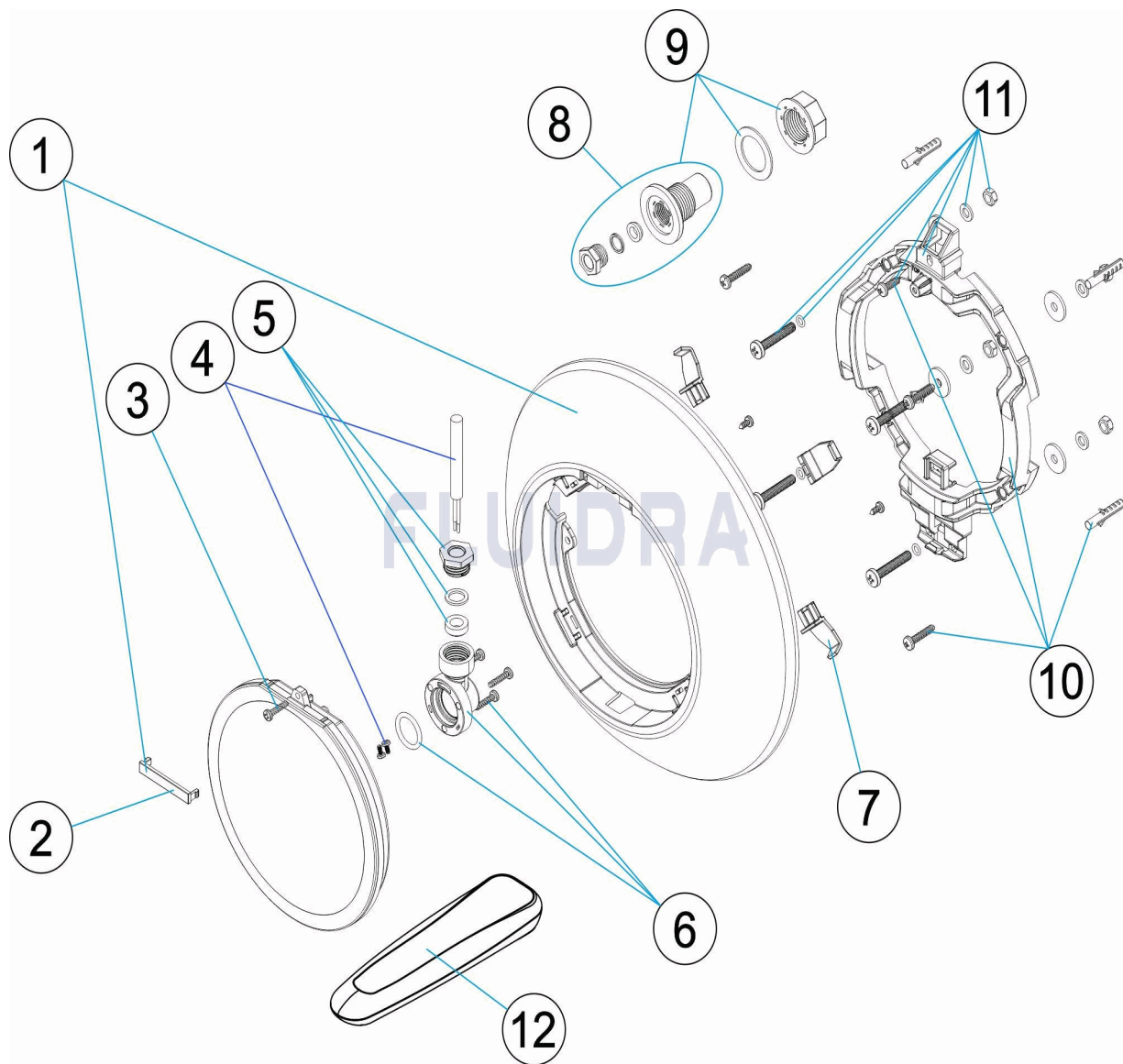
POS	CODIGO	DESCRIPCION	CANTIDAD	POS	CODIGO	DESCRIPCION	CANTIDAD
1	4403010133	EMBELLECEDOR FLEXISLIM		7	4403010137	GANCHO SOPORTE PROYECTOR	
2	4403010087	TAPETA EMBELLECEDORA PURE WHITE		8	* 4403011907	PASACABLES	
3	4403010114	TORNILLERIA PROYECTOR		9	* 4403012307	PASACABLES	
4	4403010116	CABLE PROYECTOR		10	* 4403010138	SOPORTE PROYECTOR	
5	4403010076	CJTO. TAPON PRENSAESTOPAS		11	* 4403010139	SOPORTE PROYECTOR	
6	4403010115	PRENSAESTOPAS HORIZONTAL		12	59125	MANDO A DISTANCIA	

CODIGO **71223, 71224**DESCRIPCION: **PUNTO DE LUZ FLEXISLIM****OBSERVACIONES**

POS	CODIGO	OBSERVACIONES
8	* 4403011907	PARA: CONCRETE POOL
9	* 4403012307	PARA: PREFABRICATED POOL
10	* 4403010138	PARA: CONCRETE POOL
11	* 4403010139	PARA: PREFABRICATED POOL

CODE 71223, 71224

DESCRIPTION: OPTIQUE FLEXISLIM



FRANCAIS

POS	CODE	DESCRIPTION	QUANTITE	POS	CODE	DESCRIPTION	QUANTITE
1	4403010133	ENJOLIVEUR FLEXISLIM		7	4403010137	CROCHET SUPPORT PROJECTEUR	
2	4403010087	ENJOLIVEUR PURE WHITE		8	* 4403011907	PASSE CABLE	
3	4403010114	VISSERIE PROJECTEUR		9	* 4403012307	PASSE CABLE	
4	4403010116	CABLE PROJECTEUR		10	* 4403010138	SUPPORT PROJECTEUR	
5	4403010076	ENSEMBLE BOUCHON PRESSE-ETOUPE		11	* 4403010139	SUPPORT PROJECTEUR	
6	4403010115	PASSE-CABLES HORIZONTAL		12	59125	TÉLÉCOMMANDE	

CODE **71223, 71224**

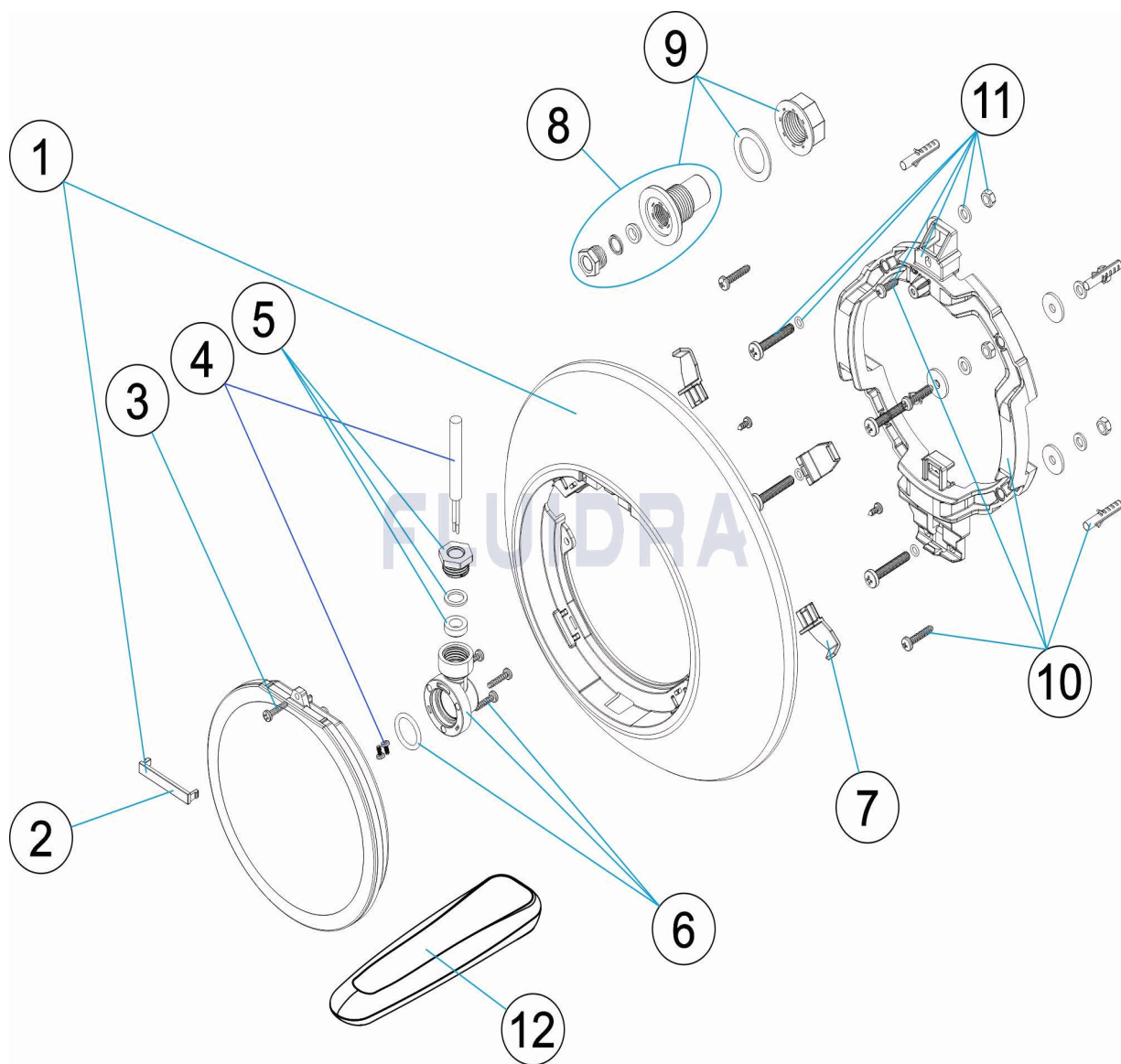
DESCRIPTION: **OPTIQUE FLEXISLIM**

OBSERVATIONS

POS	CODE	OBSERVATIONS
8	* 4403011907	POUR: CONCRETE POOL
9	* 4403012307	POUR: PREFABRICATED POOL
10	* 4403010138	POUR: CONCRETE POOL
11	* 4403010139	POUR: PREFABRICATED POOL

CODE 71223, 71224

DESCRIPTION: FLEXISLIM SPOTLIGHT



ENGLISH

POS	CODE	DESCRIPTION	QUANTITY	POS	CODE	DESCRIPTION	QUANTITY
1	4403010133	FLEXISLIM FACEPLATE		7	4403010137	LIGHT SUPPORT HOOK	
2	4403010087	ESCUTCHEON PURE WHITE		8	* 4403011907	CONDUIT CONNECTOR	
3	4403010114	LIGHT SCREWS		9	* 4403012307	CONDUIT CONNECTOR	
4	4403010116	LIGHT CABLE		10	* 4403010138	LIGHT SUPPORT	
5	4403010076	PACKING GLAND ASSEMBLY		11	* 4403010139	LIGHT SUPPORT	
6	4403010115	HORIZONTAL CABLE GUIDES		12	59125	TRANSMITTER	

CODE **71223, 71224**

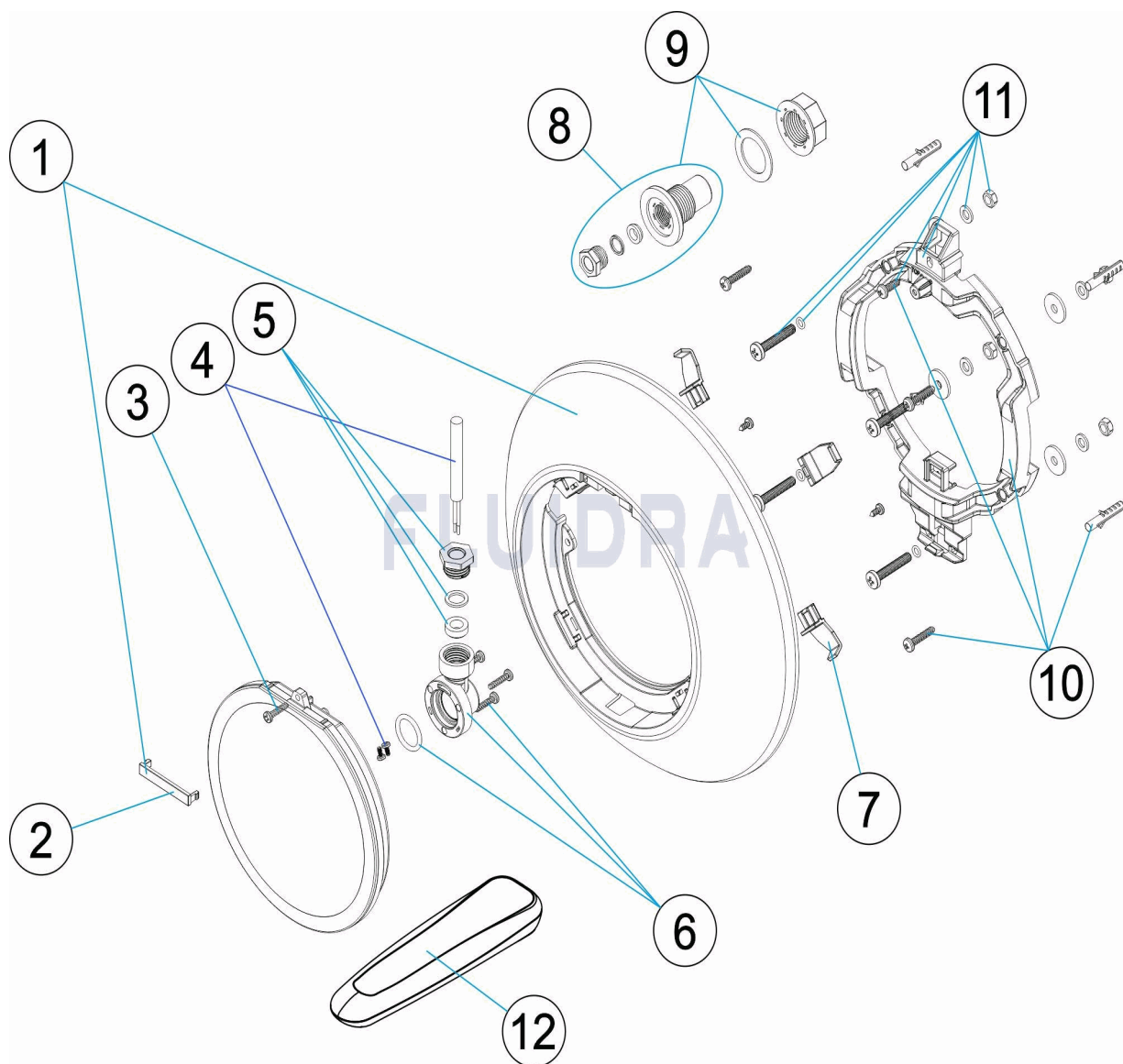
DESCRIPTION: **FLEXISLIM SPOTLIGHT**

OBSERVATIONS

POS	CODE	OBSERVATIONS
8	* 4403011907	FOR: CONCRETE POOL
9	* 4403012307	FOR: PREFABRICATED POOL
10	* 4403010138	FOR: CONCRETE POOL
11	* 4403010139	FOR: PREFABRICATED POOL

CODICE 71223, 71224

DESCRIZIONE: PUNTO DI LUCE FLEXISLIM



ITALIANO

POS	CODICE	DESCRIZIONE	QUANTITA'	POS	CODICE	DESCRIZIONE	QUANTITA'
1	4403010133	ANELLO FRONTALE FLEXISLIM		7	4403010137	GANCIO SUPPORTO FARO	
2	4403010087	COPRIFLANGIA PURE WHITE		8	* 4403011907	PRESSACAVO	
3	4403010114	KIT BULLONERIA FARO		9	* 4403012307	PRESSACAVO	
4	4403010116	CAVO FARO		10	* 4403010138	SUPPORTO FARO	
5	4403010076	INSIEME TAPPO PREMISTOPPA		11	* 4403010139	SUPPORTO FARO	
6	4403010115	PASSACAVI ORIZZONTALE		12	59125	TELECOMANDO	

CODICE **71223, 71224**

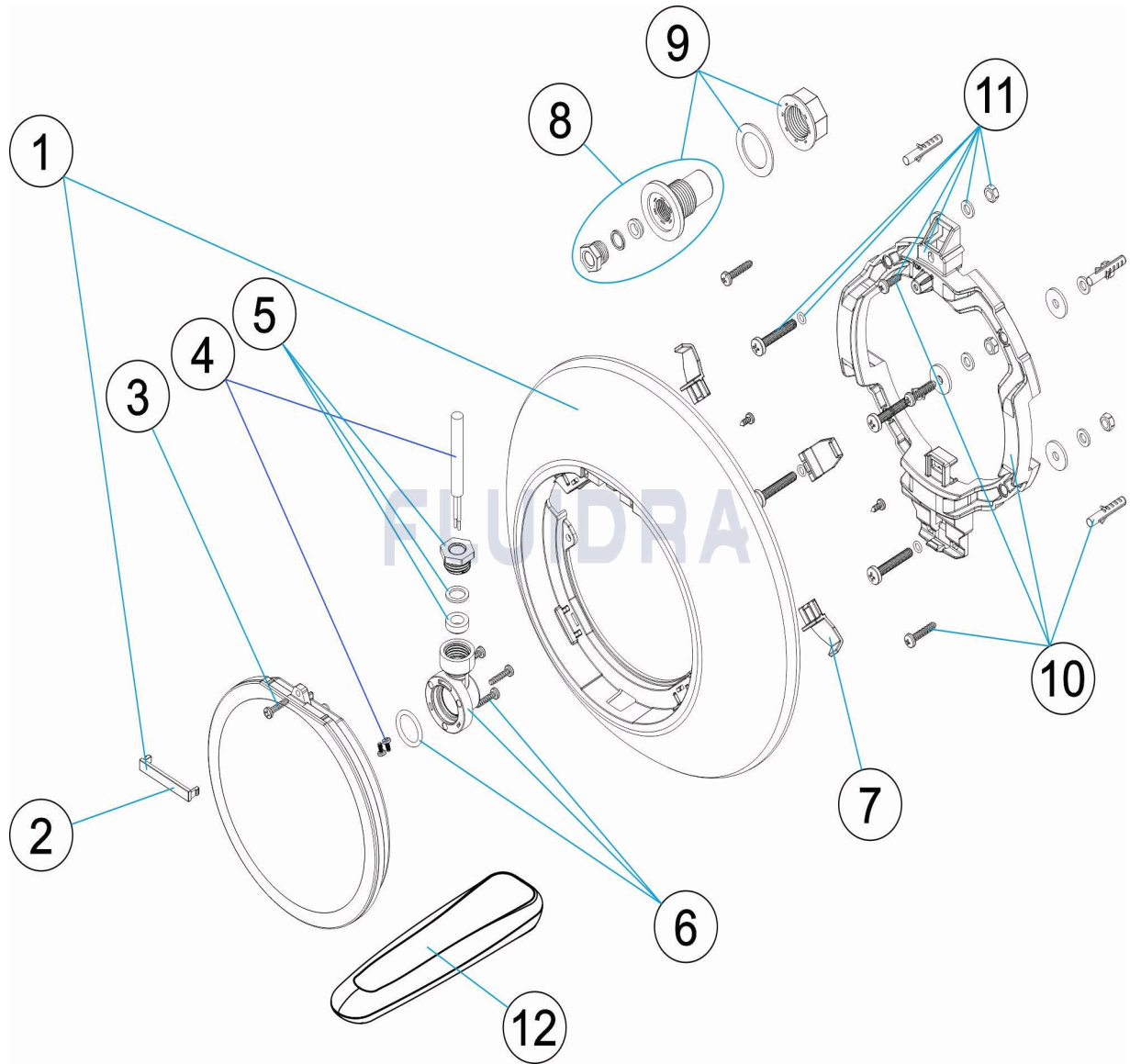
DESCRIZIONE: **PUNTO DI LUCE FLEXISLIM**

OSSERVAZIONI

POS	CODICE	OSSERVAZIONI
8	* 4403011907	PER: CONCRETE POOL
9	* 4403012307	PER: PREFABRICATED POOL
10	* 4403010138	PER: CONCRETE POOL
11	* 4403010139	PER: PREFABRICATED POOL

CODE 71223, 71224

BESCHREIBUNG: SPOT FLEXISLIM



DEUTSCH

POS	CODE	BESCHREIBUNG	MENGE	POS	CODE	BESCHREIBUNG	MENGE
1	4403010133	BLLENDE FLEXISLIM		7	4403010137	HALTERUNG UWS	
2	4403010087	DEKO-ABSCHLUSS PURE WHITE		8	* 4403011907	KABELDURCHFÜHRUNG	
3	4403010114	UWS SCHRAUBENSATZ		9	* 4403012307	KABELDURCHFÜHRUNG	
4	4403010116	UWS-KABEL		10	* 4403010138	HALTERUNG UWS	
5	4403010076	STOPFENSET QUETSCHVERSCHRAUBUN		11	* 4403010139	HALTERUNG UWS	
6	4403010115	HORIZONTAL QUETSCHVERSCHRAUBUNC		12	59125	FERNBEDIENUNG	

CODE **71223, 71224**

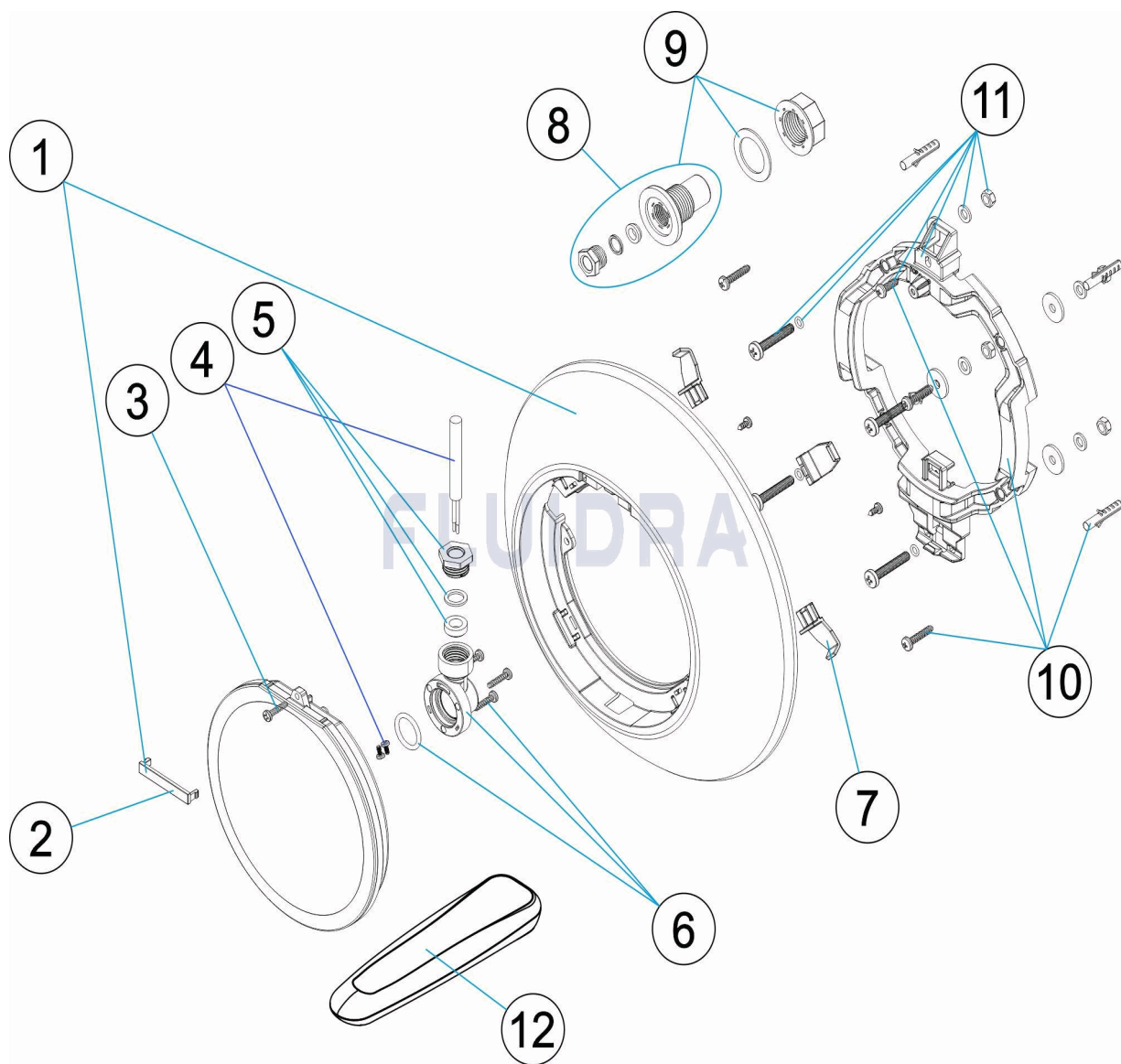
BESCHREIBUNG: **SPOT FLEXISLIM**

HINWEISE

POS	CODE	HINWEISE
8	* 4403011907	FÜR: CONCRETE POOL
9	* 4403012307	FÜR: PREFABRICATED POOL
10	* 4403010138	FÜR: CONCRETE POOL
11	* 4403010139	FÜR: PREFABRICATED POOL

CODIGO 71223, 71224

DESCRIÇÃO: PONTO DE LUZ FLEXISLIM



PORTUGUES

POS	CODIGO	DESCRIÇÃO	JANTIDADE	POS	CODIGO	DESCRIÇÃO	JANTIDADE
1	4403010133	EMBELEZADOR FLEXISLIM		7	4403010137	GANCHO SUPORTE PROYECTOR	
2	4403010087	TAMPA EMBELEZADORA PURE WHITE		8	* 4403011907	PASSA-CABOS	
3	4403010114	CONJ. PARAFUSOS PROYECTOR		9	* 4403012307	PASSA-CABOS	
4	4403010116	CABO PROYECTOR		10	* 4403010138	SUPORTE PROYECTOR	
5	4403010076	CONJUNTO TAMPABUCIM		11	* 4403010139	SUPORTE PROYECTOR	
6	4403010115	PASSA-CABOS HORIZONTAL		12	59125	COMANDO À DISTÂNCIA	

CODIGO **71223, 71224**

DESCRIÇÃO: **PONTO DE LUZ FLEXISLIM**

OBSERVAÇÕES

POS	CODIGO	OBSERVAÇÕES
8	* 4403011907	PARA: CONCRETE POOL
9	* 4403012307	PARA: PREFABRICATED POOL
10	* 4403010138	PARA: CONCRETE POOL
11	* 4403010139	PARA: PREFABRICATED POOL