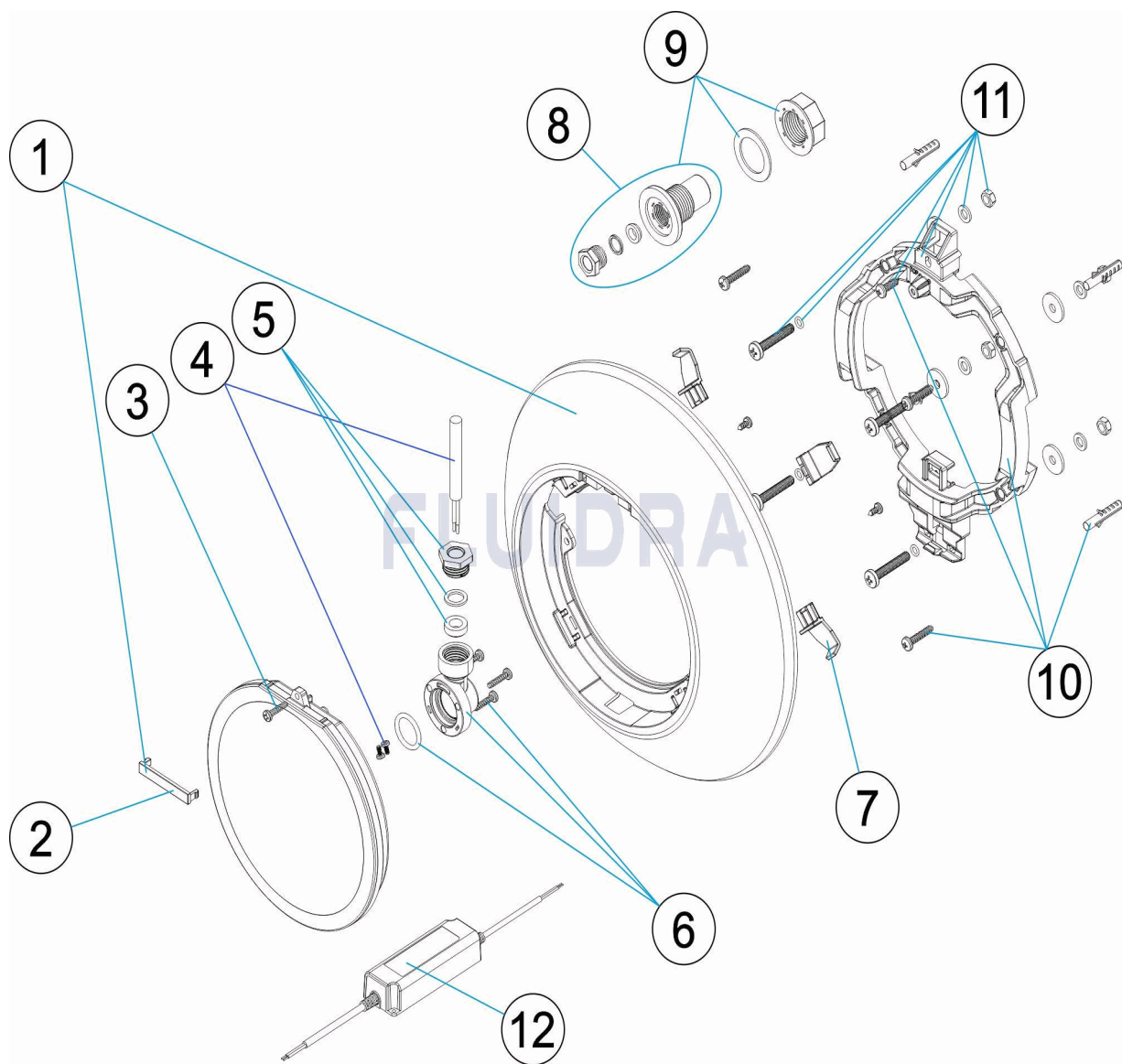


CODIGO 71228

DESCRIPCION: PUNTO DE LUZ FLEXISLIM



**ESPAÑOL**

| POS | CODIGO     | DESCRIPCION                     | CANTIDAD | POS | CODIGO       | DESCRIPCION                       | CANTIDAD |
|-----|------------|---------------------------------|----------|-----|--------------|-----------------------------------|----------|
| 1   | 4403010133 | EMBELLECEDOR FLEXISLIM          |          | 7   | 4403010137   | GANCHO SOPORTE PROYECTOR          |          |
| 2   | 4403010087 | TAPETA EMBELLECEDORA PURE WHITE |          | 8   | * 4403011907 | PASACABLES                        |          |
| 3   | 4403010114 | TORNILLERIA PROYECTOR           |          | 9   | * 4403012307 | PASACABLES                        |          |
| 4   | 4403010116 | CABLE PROYECTOR                 |          | 10  | * 4403010138 | SOPORTE PROYECTOR                 |          |
| 5   | 4403010076 | CJTO. TAPON PRENSAESTOPAS       |          | 11  | * 4403010139 | SOPORTE PROYECTOR                 |          |
| 6   | 4403010115 | PRENSAESTOPAS HORIZONTAL        |          | 12  | 67512        | FUENTE ALIMENTACION APV 40W 24VDC |          |

**CODIGO 71228**

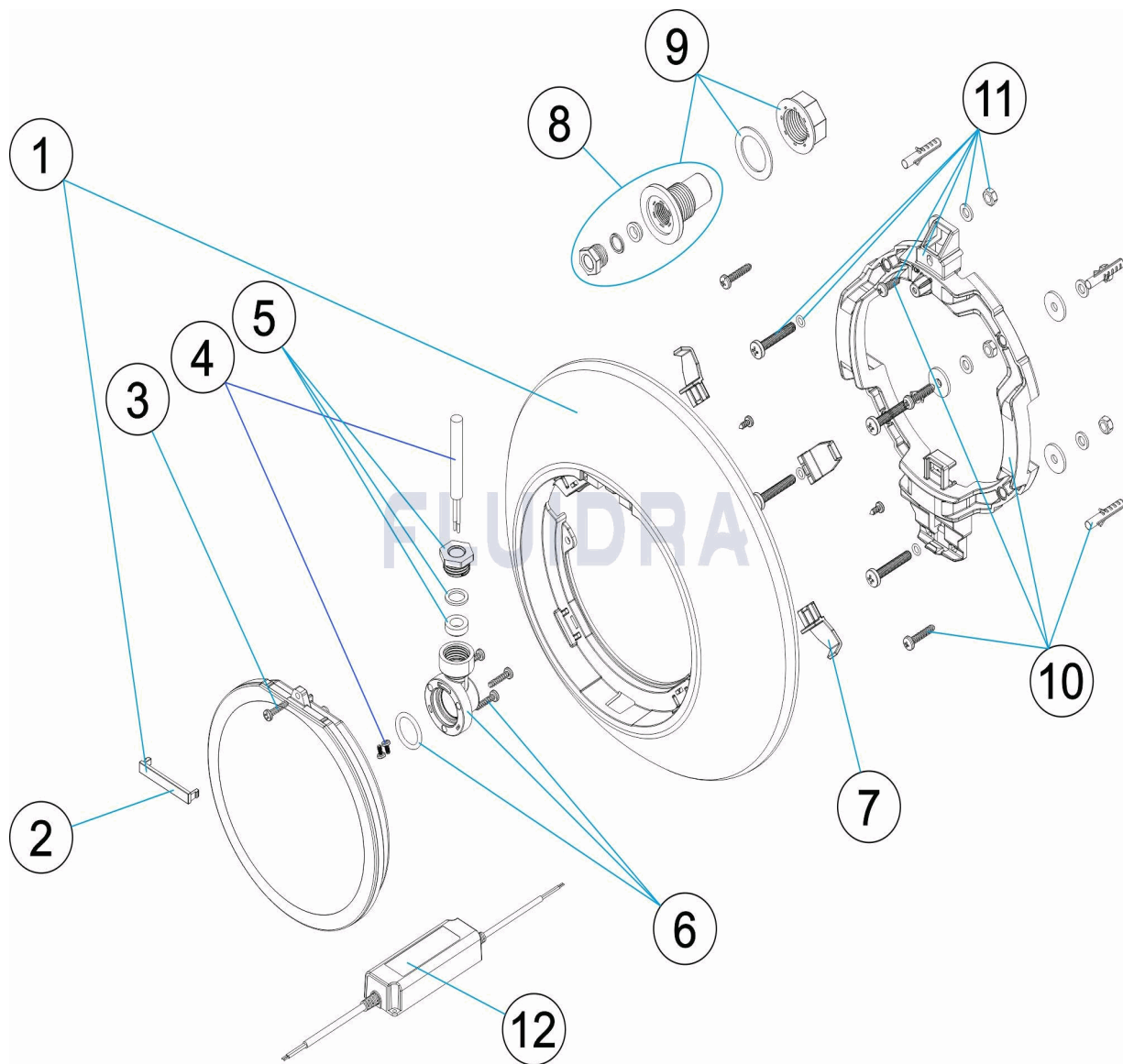
**DESCRIPCION: PUNTO DE LUZ FLEXISLIM**

### OBSERVACIONES

| POS | CODIGO       | OBSERVACIONES            |
|-----|--------------|--------------------------|
| 8   | * 4403011907 | PARA: CONCRETE POOL      |
| 9   | * 4403012307 | PARA: PREFABRICATED POOL |
| 10  | * 4403010138 | PARA: CONCRETE POOL      |
| 11  | * 4403010139 | PARA: PREFABRICATED POOL |

CODE 71228

DESCRIPTION: OPTIQUE FLEXISLIM



FRANCAIS

| POS | CODE       | DESCRIPTION                    | QUANTITE | POS | CODE         | DESCRIPTION                         | QUANTITE |
|-----|------------|--------------------------------|----------|-----|--------------|-------------------------------------|----------|
| 1   | 4403010133 | ENJOLIVEUR FLEXISLIM           |          | 7   | 4403010137   | CROCHET SUPPORT PROJECTEUR          |          |
| 2   | 4403010087 | ENJOLIVEUR PURE WHITE          |          | 8   | * 4403011907 | PASSE CABLE                         |          |
| 3   | 4403010114 | VISSERIE PROJECTEUR            |          | 9   | * 4403012307 | PASSE CABLE                         |          |
| 4   | 4403010116 | CABLE PROJECTEUR               |          | 10  | * 4403010138 | SUPPORT PROJECTEUR                  |          |
| 5   | 4403010076 | ENSEMBLE BOUCHON PRESSE-ETOUPE |          | 11  | * 4403010139 | SUPPORT PROJECTEUR                  |          |
| 6   | 4403010115 | PASSE-CABLES HORIZONTAL        |          | 12  | 67512        | SOURCE D'ALIMENTATION APV 40W 24VDC |          |

CODE **71228**

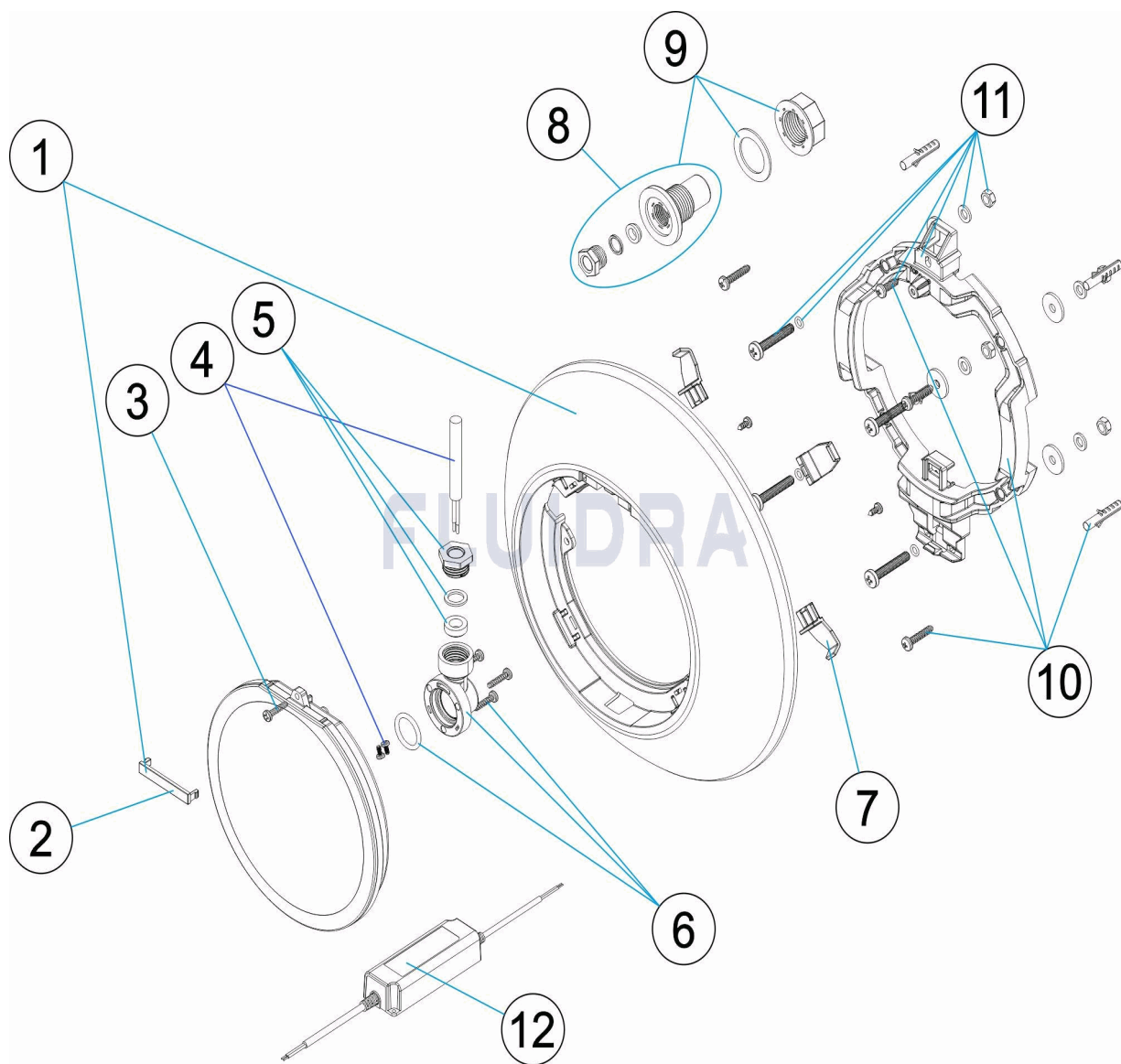
DESCRIPTION: **OPTIQUE FLEXISLIM**

**OBSERVATIONS**

| POS | CODE         | OBSERVATIONS             |
|-----|--------------|--------------------------|
| 8   | * 4403011907 | POUR: CONCRETE POOL      |
| 9   | * 4403012307 | POUR: PREFABRICATED POOL |
| 10  | * 4403010138 | POUR: CONCRETE POOL      |
| 11  | * 4403010139 | POUR: PREFABRICATED POOL |

CODE 71228

DESCRIPTION: FLEXISLIM SPOTLIGHT



**ENGLISH**

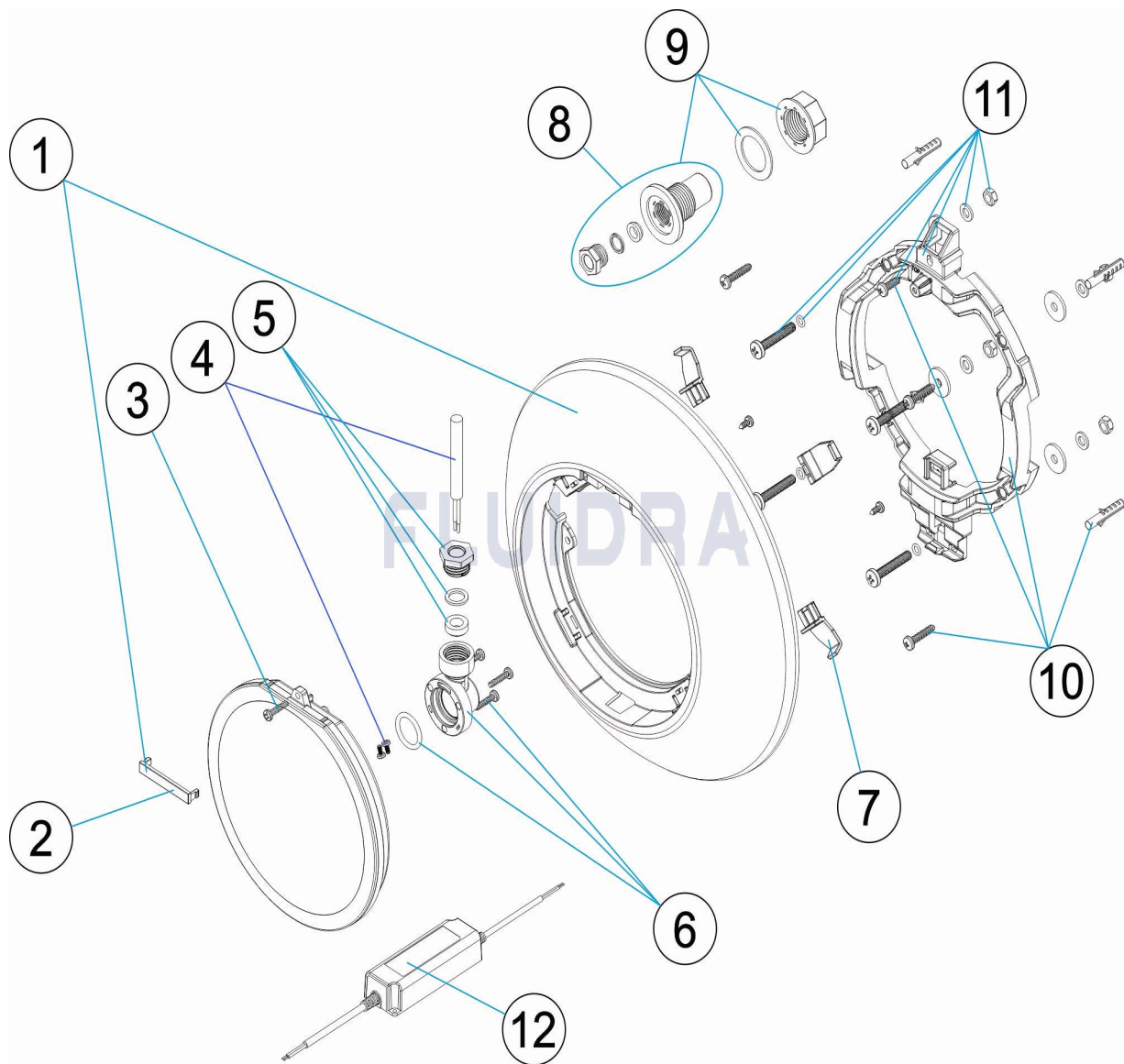
| POS | CODE       | DESCRIPTION             | QUANTITY | POS | CODE         | DESCRIPTION         | QUANTITY |
|-----|------------|-------------------------|----------|-----|--------------|---------------------|----------|
| 1   | 4403010133 | FLEXISLIM FACEPLATE     |          | 7   | 4403010137   | LIGHT SUPPORT HOOK  |          |
| 2   | 4403010087 | ESCUTCHEON PURE WHITE   |          | 8   | * 4403011907 | CONDUIT CONNECTOR   |          |
| 3   | 4403010114 | LIGHT SCREWS            |          | 9   | * 4403012307 | CONDUIT CONNECTOR   |          |
| 4   | 4403010116 | LIGHT CABLE             |          | 10  | * 4403010138 | LIGHT SUPPORT       |          |
| 5   | 4403010076 | PACKING GLAND ASSEMBLY  |          | 11  | * 4403010139 | LIGHT SUPPORT       |          |
| 6   | 4403010115 | HORIZONTAL CABLE GUIDES |          | 12  | 67512        | POWER APV 40W 24VDC |          |

CODE                    **71228**DESCRIPTION: **FLEXISLIM SPOTLIGHT****OBSERVATIONS**

| POS | CODE         | OBSERVATIONS            |
|-----|--------------|-------------------------|
| 8   | * 4403011907 | FOR: CONCRETE POOL      |
| 9   | * 4403012307 | FOR: PREFABRICATED POOL |
| 10  | * 4403010138 | FOR: CONCRETE POOL      |
| 11  | * 4403010139 | FOR: PREFABRICATED POOL |

CODICE 71228

DESCRIZIONE: PUNTO DI LUCE FLEXISLIM



ITALIANO

| POS | CODICE     | DESCRIZIONE               | QUANTITA' | POS | CODICE       | DESCRIZIONE                       | QUANTITA' |
|-----|------------|---------------------------|-----------|-----|--------------|-----------------------------------|-----------|
| 1   | 4403010133 | ANELLO FRONTALE FLEXISLIM |           | 7   | 4403010137   | GANCIO SUPPORTO FARO              |           |
| 2   | 4403010087 | COPRIFLANGIA PURE WHITE   |           | 8   | * 4403011907 | PRESSACAPO                        |           |
| 3   | 4403010114 | KIT BULLONERIA FARO       |           | 9   | * 4403012307 | PRESSACAPO                        |           |
| 4   | 4403010116 | CAVO FARO                 |           | 10  | * 4403010138 | SUPPORTO FARO                     |           |
| 5   | 4403010076 | INSIEME TAPPO PREMISTOPPA |           | 11  | * 4403010139 | SUPPORTO FARO                     |           |
| 6   | 4403010115 | PASSACAVI ORIZZONTALE     |           | 12  | 67512        | FONTE ALIMENTAZIONE APV 40W 24VDC |           |

CODICE            **71228**

DESCRIZIONE: **PUNTO DI LUCE FLEXISLIM**

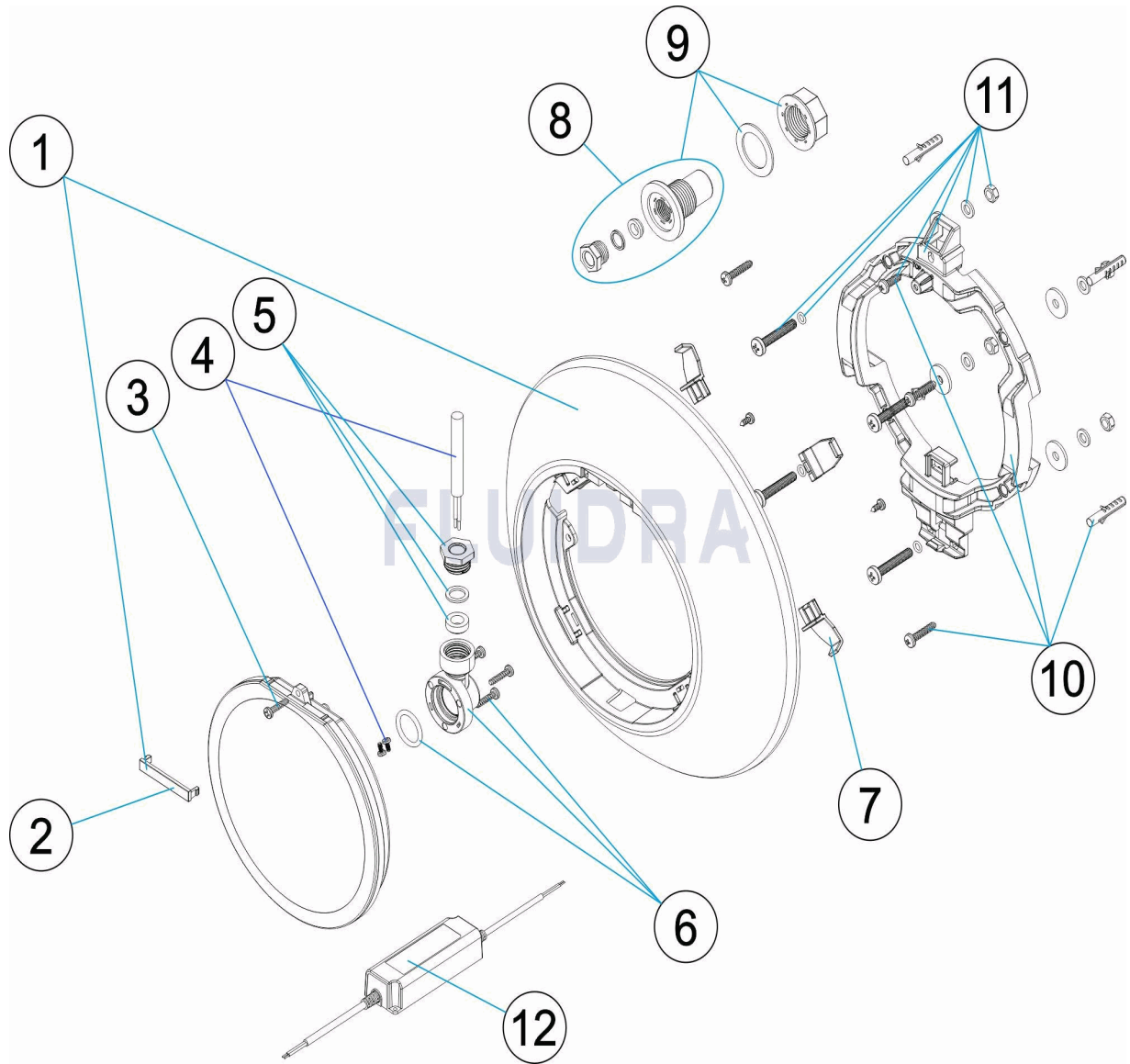
## OSSERVAZIONI

| POS | CODICE       | OSSERVAZIONI            |
|-----|--------------|-------------------------|
| 8   | * 4403011907 | PER: CONCRETE POOL      |
| 9   | * 4403012307 | PER: PREFABRICATED POOL |
| 10  | * 4403010138 | PER: CONCRETE POOL      |
| 11  | * 4403010139 | PER: PREFABRICATED POOL |



CODE 71228

BESCHREIBUNG: SPOT FLEXISLIM



**DEUTSCH**

| POS | CODE       | BESCHREIBUNG                    | MENGE | POS | CODE         | BESCHREIBUNG                  | MENGE |
|-----|------------|---------------------------------|-------|-----|--------------|-------------------------------|-------|
| 1   | 4403010133 | BLLENDE FLEXISLIM               |       | 7   | 4403010137   | HAKEN HALTERUNG UWS           |       |
| 2   | 4403010087 | DEKO-ABSCHLUSS PURE WHITE       |       | 8   | * 4403011907 | KABELDURCHFÜHRUNG             |       |
| 3   | 4403010114 | UWS SCHRAUBENSATZ               |       | 9   | * 4403012307 | KABELDURCHFÜHRUNG             |       |
| 4   | 4403010116 | UWS-KABEL                       |       | 10  | * 4403010138 | HALTERUNG UWS                 |       |
| 5   | 4403010076 | STOPFENSET QUETSCHVERSCHRAUBUN  |       | 11  | * 4403010139 | HALTERUNG UWS                 |       |
| 6   | 4403010115 | HORIZONTAL QUETSCHVERSCHRAUBUNC |       | 12  | 67512        | STROMVERSORGUNG APV 40W 24VDC |       |

CODE                    **71228**

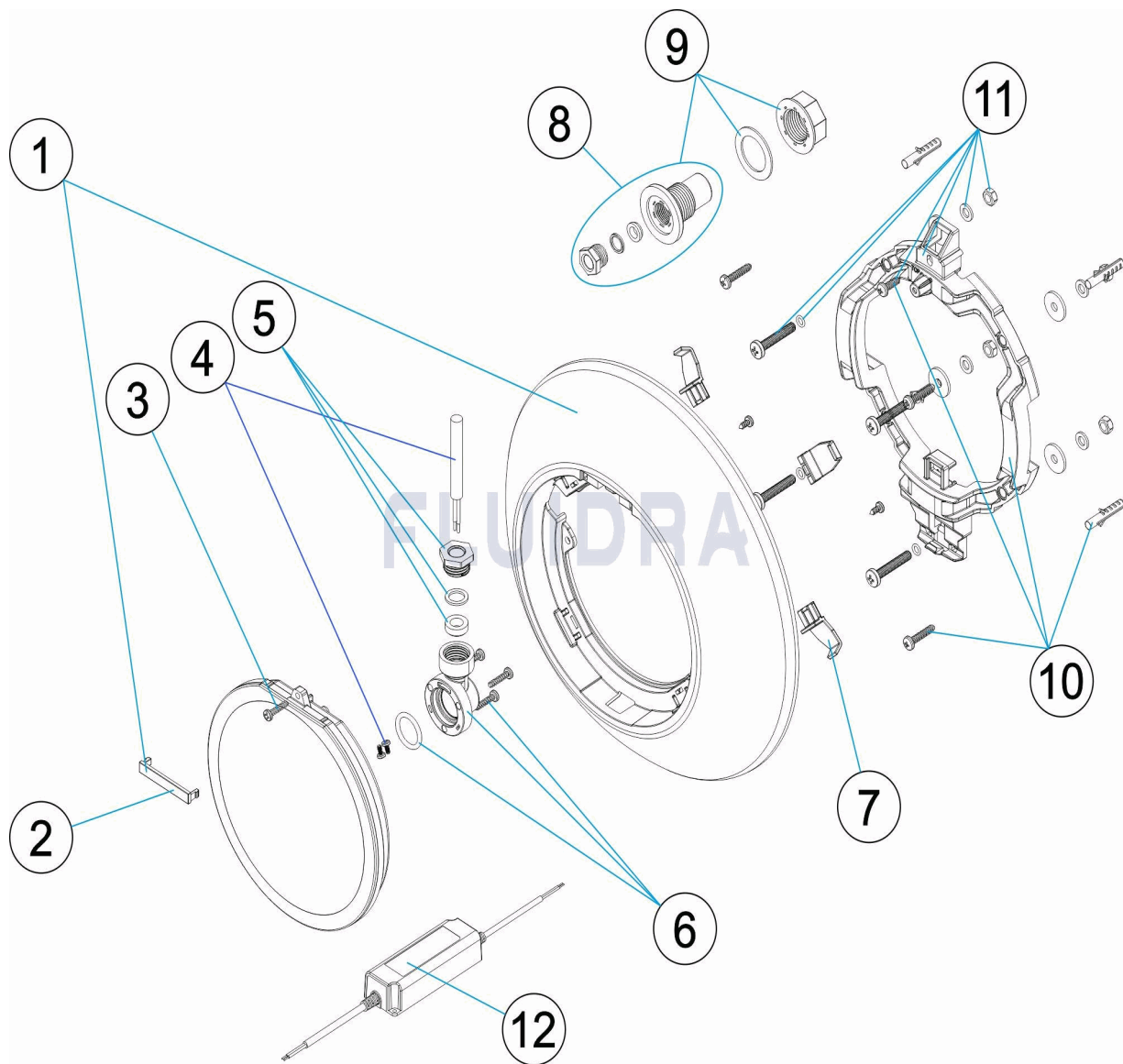
BESCHREIBUNG: **SPOT FLEXISLIM**

## HINWEISE

| POS | CODE         | HINWEISE                |
|-----|--------------|-------------------------|
| 8   | * 4403011907 | FÜR: CONCRETE POOL      |
| 9   | * 4403012307 | FÜR: PREFABRICATED POOL |
| 10  | * 4403010138 | FÜR: CONCRETE POOL      |
| 11  | * 4403010139 | FÜR: PREFABRICATED POOL |

CODIGO 71228

DESCRIÇÃO: PONTO DE LUZ FLEXISLIM



**PORTUGUES**

| POS | CODIGO     | DESCRIÇÃO                     | JANTIDADE | POS | CODIGO       | DESCRIÇÃO                       | JANTIDADE |
|-----|------------|-------------------------------|-----------|-----|--------------|---------------------------------|-----------|
| 1   | 4403010133 | EMBELEZADOR FLEXISLIM         |           | 7   | 4403010137   | GANCHO SUPORTE PROJECTOR        |           |
| 2   | 4403010087 | TAMPA EMBELEZADORA PURE WHITE |           | 8   | * 4403011907 | PASSA-CABOS                     |           |
| 3   | 4403010114 | CONJ. PARAFUSOS PROJECTOR     |           | 9   | * 4403012307 | PASSA-CABOS                     |           |
| 4   | 4403010116 | CABO PROJECTOR                |           | 10  | * 4403010138 | SUPORTE PROJECTOR               |           |
| 5   | 4403010076 | CONJUNTO TAMPABUCIM           |           | 11  | * 4403010139 | SUPORTE PROJECTOR               |           |
| 6   | 4403010115 | PASSA-CABOS HORIZONTAL        |           | 12  | 67512        | FONTE ALIMENTAÇÃO APV 40W 24VDC |           |

CODIGO **71228**

DESCRIÇÃO: **PONTO DE LUZ FLEXISLIM**

## OBSERVAÇÕES

| POS | CODIGO       | OBSERVAÇÕES              |
|-----|--------------|--------------------------|
| 8   | * 4403011907 | PARA: CONCRETE POOL      |
| 9   | * 4403012307 | PARA: PREFABRICATED POOL |
| 10  | * 4403010138 | PARA: CONCRETE POOL      |
| 11  | * 4403010139 | PARA: PREFABRICATED POOL |