

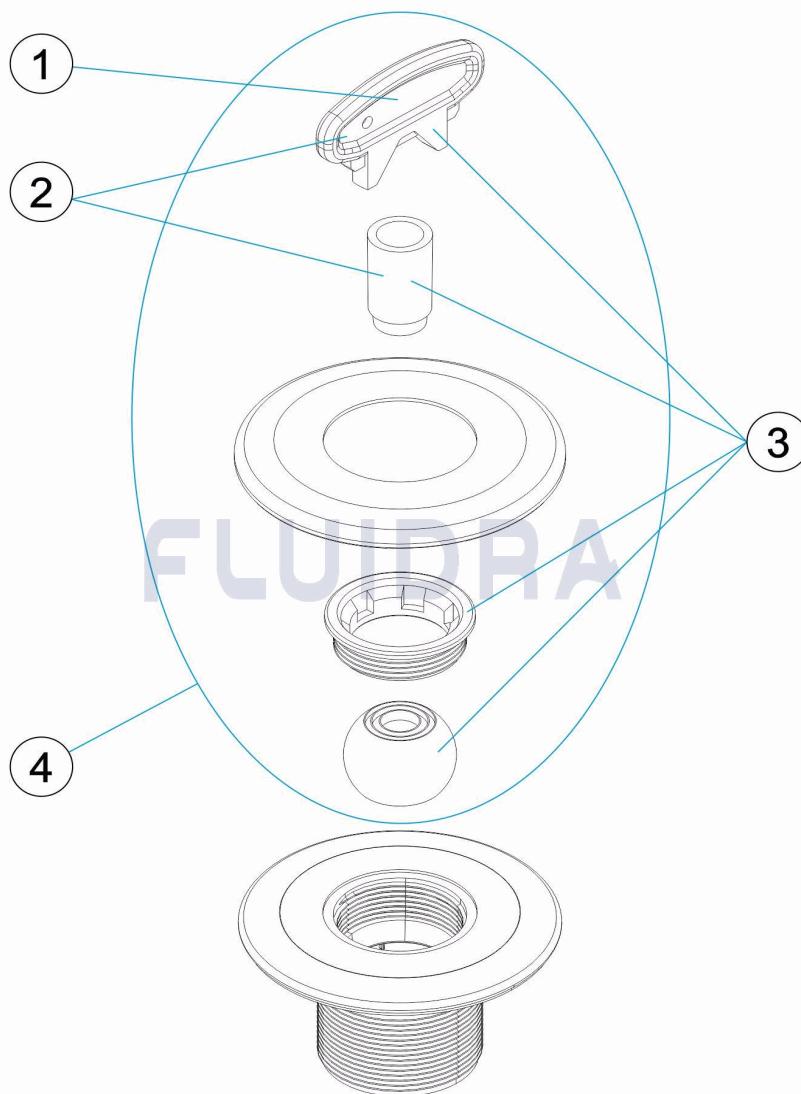
KIT

REV: 0

1355

FECHA: 01/01/2020

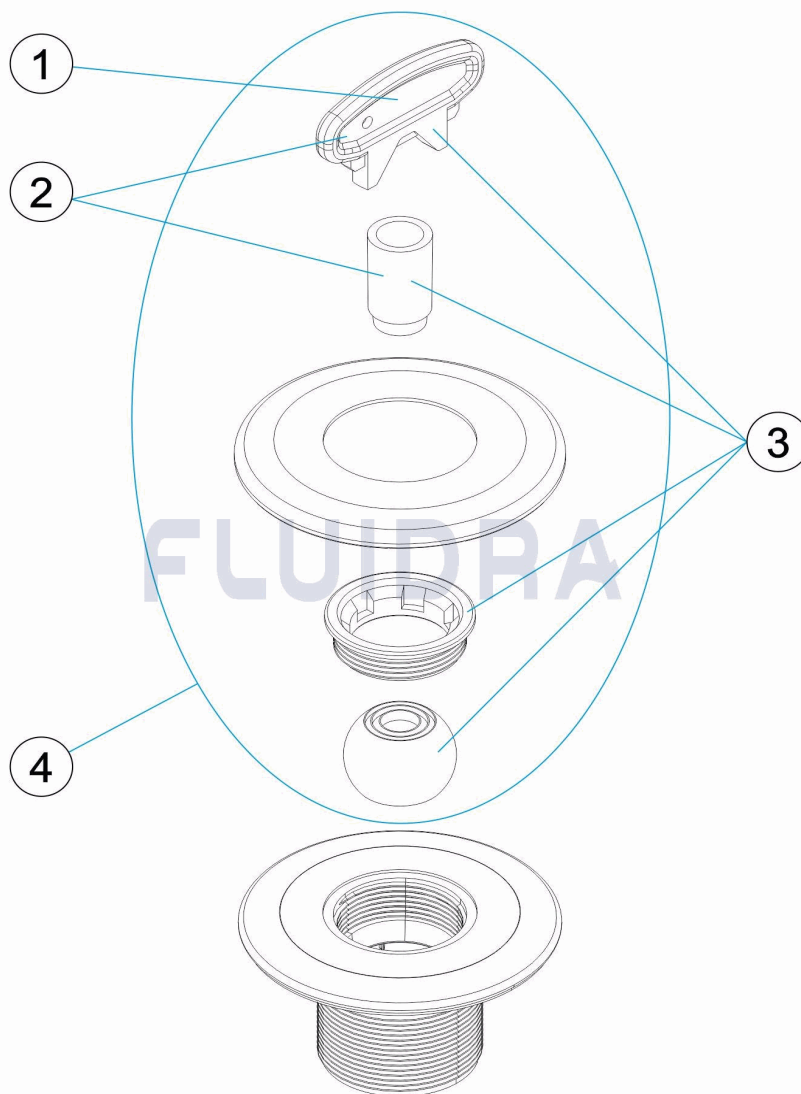
HOJA: 1/6

CODIGO **00295 BP 00**DESCRIPCION: **BOQUILLA IMPULSION PISCINA HORMIGON**

ESPAÑOL

POS	CODIGO	DESCRIPCION	CANTIDAD	POS	CODIGO	DESCRIPCION	CANTIDAD
1	4402040304	LLAVE BOQUILLA		3	4411030311	BOLA MULTIFLOW SKIMMER MOCHILA	
2	4402040093	LLAVE BOQUILLA		4	4402040303	BOLA MULTIFLOW COMPLETA	

CODE **00295 BP 00**

 DESCRIPTION: **BUSE REFOULEMENT PISCINE BÉTON**

FRANCAIS

POS	CODE	DESCRIPTION	QUANTITE	POS	CODE	DESCRIPTION	QUANTITE
1	4402040304	CLEF POUR BUSE		3	4411030311	ROTULE MULTIFLOW SKIMMER MONOBLO	
2	4402040093	CLEF POUR BUSE		4	4402040303	ENSEMBLE ROTULE MULTIFLOW COMPLE	

PARTS BREAKDOWN

REV.: 0

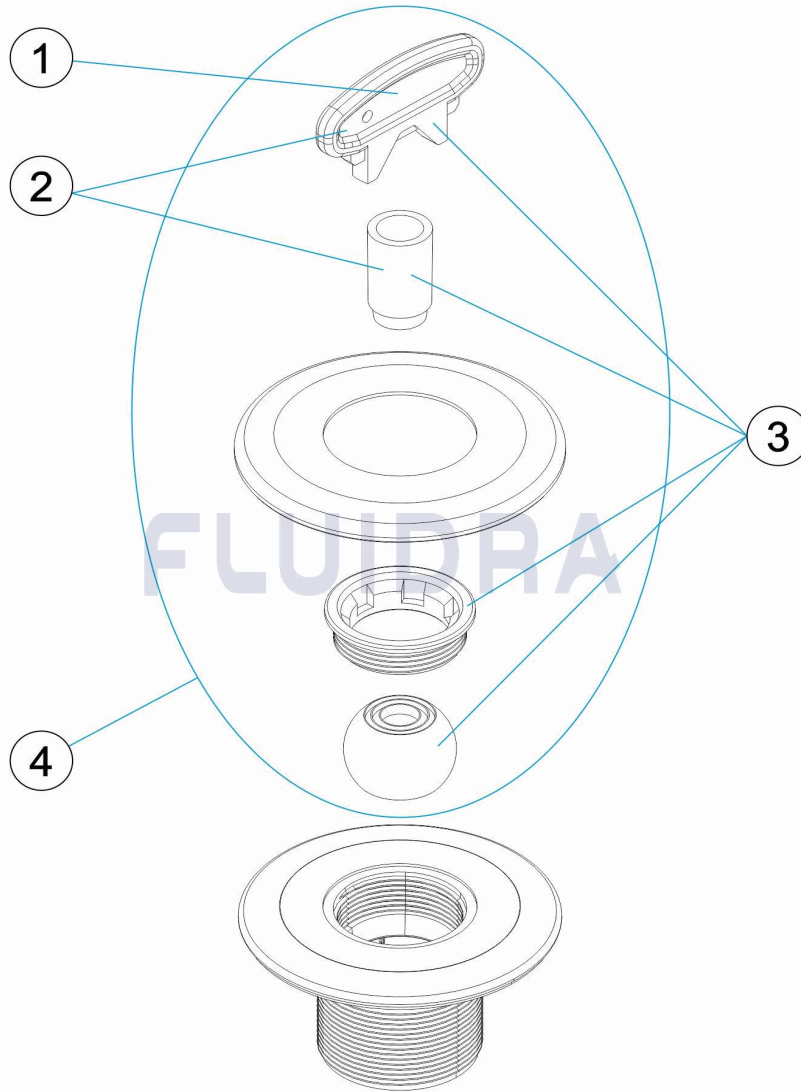
1355

DATE: 01/01/2020

SHEET: 3/6

CODE 00295 BP 00

DESCRIPTION: RETURN INLET CONCRETE POOL

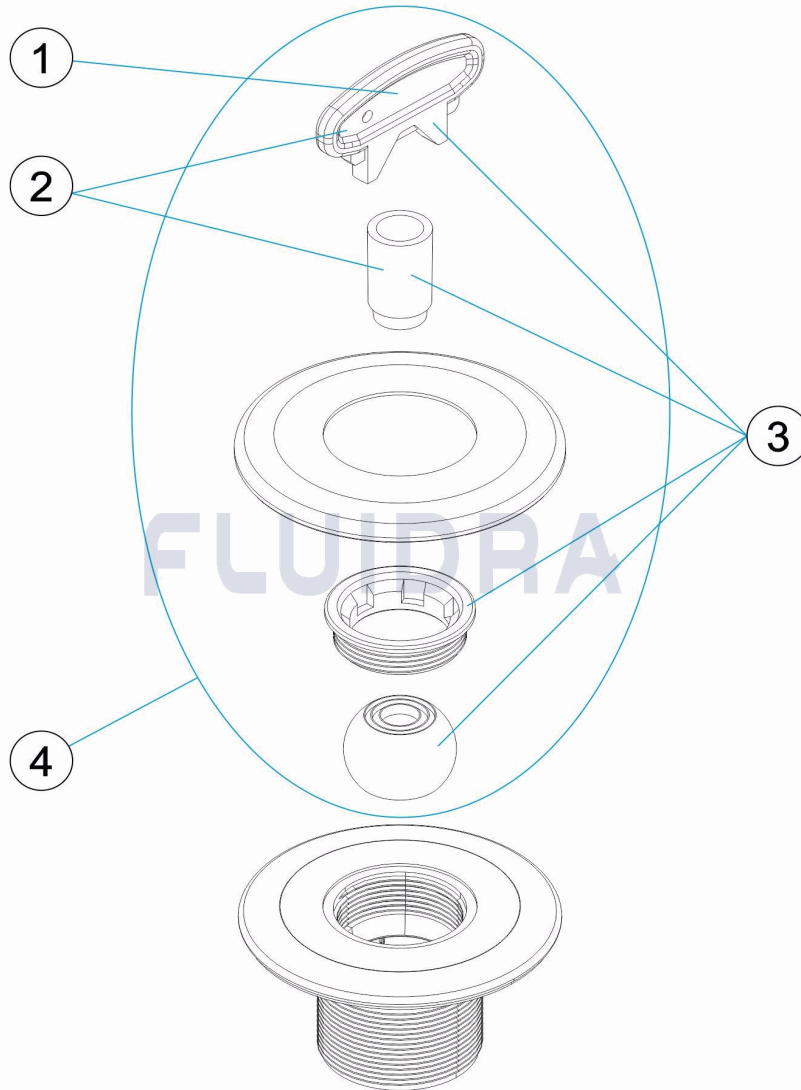


ENGLISH

POS	CODE	DESCRIPTION	QUANTITY	POS	CODE	DESCRIPTION	QUANTITY
1	4402040304	KEY FOR INLET		3	4411030311	MULTIFLOW BALL, UNIVER. SKIMMER	
2	4402040093	KEY FOR INLET		4	4402040303	MULTIFLOW EYEBALL ASSEMBLY	

CODICE **00295 BP 00**

DESCRIZIONE: **BOCCHETTA IMPULSIONE PISCINA CEMENTO**



ITALIANO

POS	CODICE	DESCRIZIONE	QUANTITA'	POS	CODICE	DESCRIZIONE	QUANTITA'
1	4402040304	CHIAVE		3	4411030311	SFERA MULTI-FLOW SKIMMER	
2	4402040093	CHIAVE		4	4402040303	SFERA MULTIFLOW COMPLETA	

EINZELTEILE

ÜBER.: 0

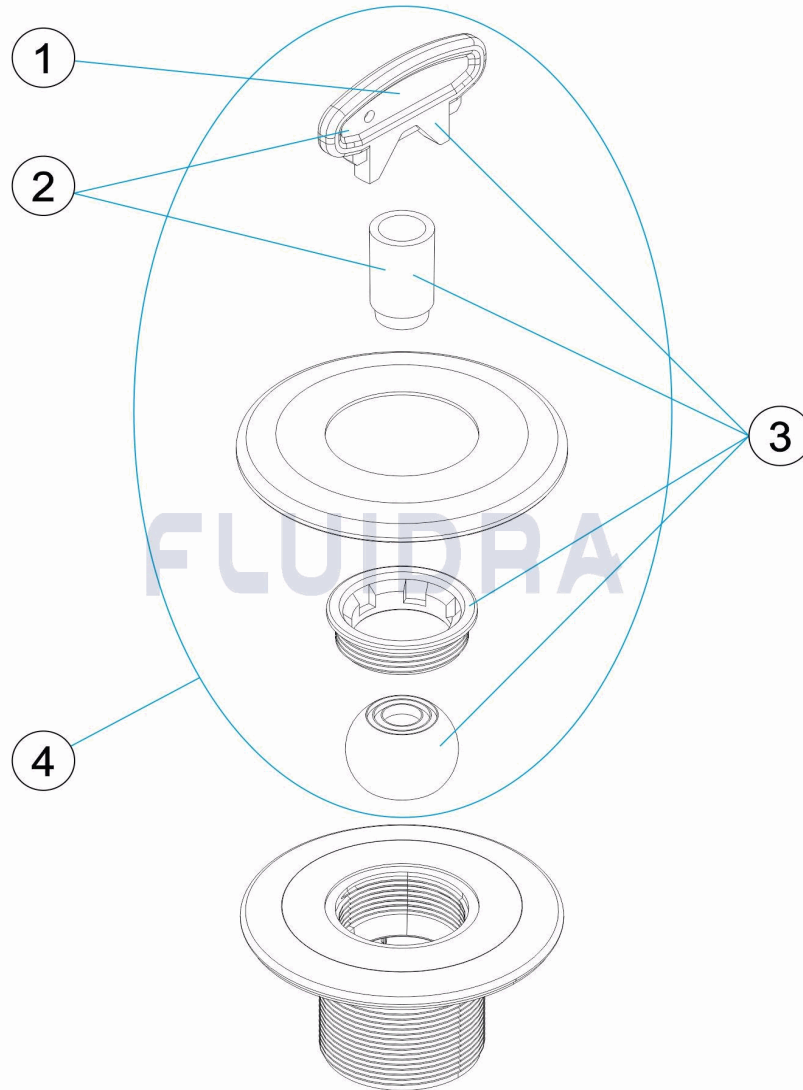
1355

DATUM: 01/01/2020

BLATT: 5/6

CODE 00295 BP 00

BESCHREIBUNG: EINLAUFDÜSE BETONBECKEN



DEUTSCH

POS	CODE	BESCHREIBUNG	MENGE	POS	CODE	BESCHREIBUNG	MENGE
1	4402040304	SCHLÜSSEL DÜSE		3	4411030311	MULTIFLOWKUGEL SKIMMER BEUTEL	
2	4402040093	SCHLÜSSEL DÜSE		4	4402040303	STOPFEN UND ABSCHLUSSPLATTE DÜSE	

ITEM

REV.: 0

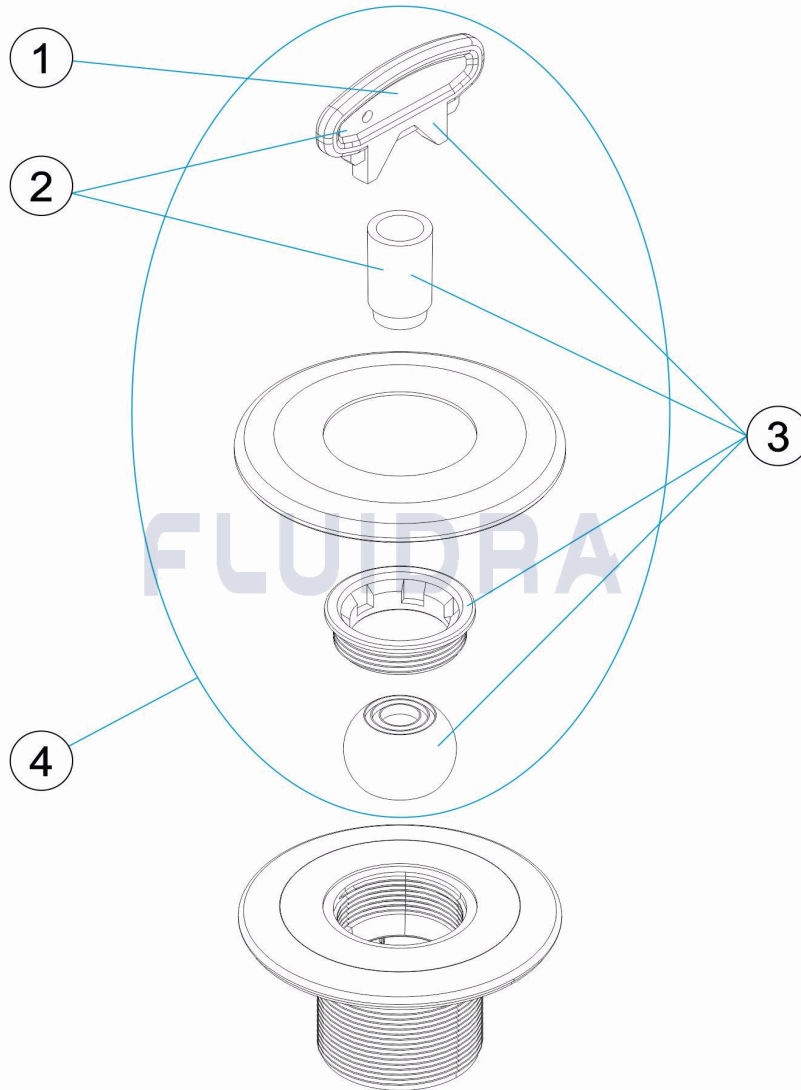
1355

DATA: 01/01/2020

FOLHA: 6/6

CODIGO 00295 BP 00

DESCRICAÇÃO: BOQUILHA IMPULSÃO PISCINA BETÃO



PORTUGUES

POS	CODIGO	DESCRICAÇÃO	JANTIDADE	POS	CODIGO	DESCRICAÇÃO	JANTIDADE
1	4402040304	CHAVE BOCA		3	4411030311	BOLA MULTIFLOW SKIMMER MOCHILA	
2	4402040093	CHAVE BOCA		4	4402040303	BOLA MULTIFLOW COMPLETA	