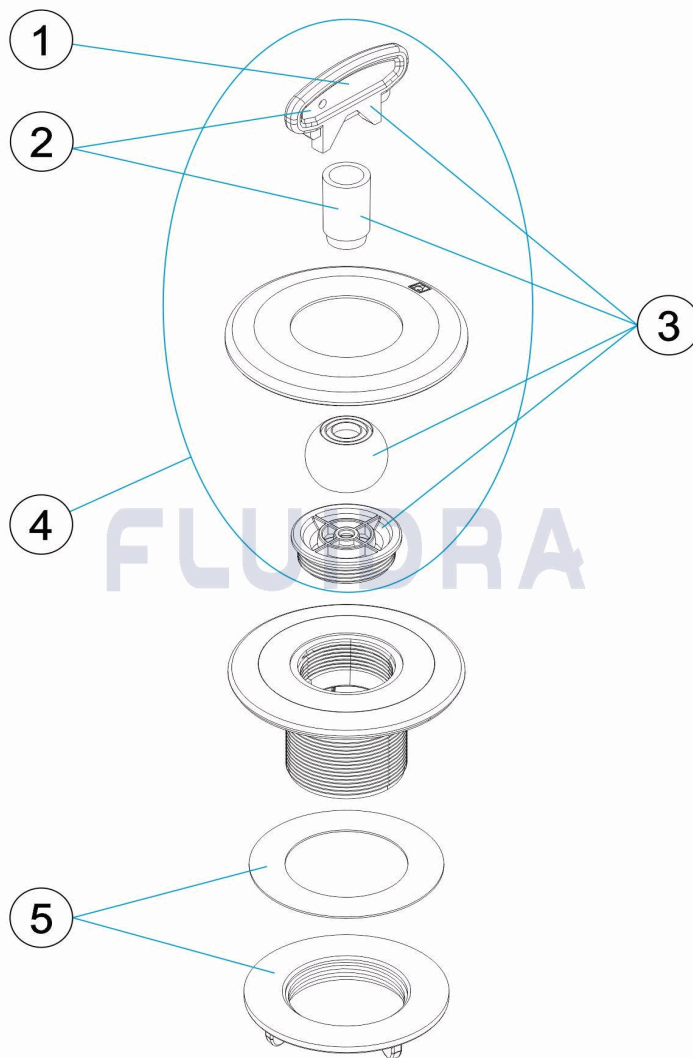


CODIGO **00334VV99, 00334VV99CL090, 00334VV99CL129, 00334VV99CL144**

DESCRIPCION: **BOQUILLA IMPULSION MULTIFLOW PISCINA PREF.**



ESPAÑOL

POS	CODIGO	DESCRIPCION	CANTIDAD	POS	CODIGO	DESCRIPCION	CANTIDAD
1	4402040304	LLAVE BOQUILLA		4	* 4402040117	BOLA MULTIFLOW COMPLETA	
2	4402040093	LLAVE BOQUILLA		4	* 4402040118	BOLA MULTIFLOW COMPLETA	
3	* 4402040113	BOLA MULTIFLOW SKIMMER MOCHILA		4	* 4402040119	BOLA MULTIFLOW COMPLETA	
3	* 4402040114	BOLA MULTIFLOW SKIMMER MOCHILA		4	* 4402040120	BOLA MULTIFLOW COMPLETA	
3	* 4402040115	BOLA MULTIFLOW SKIMMER MOCHILA		5	4402041701	TUERCA FIJACION CON JUNTA	
3	* 4402040116	BOLA MULTIFLOW SKIMMER MOCHILA					

CODIGO 00334VV99, 00334VV99CL090, 00334VV99CL129, 00334VV99CL144

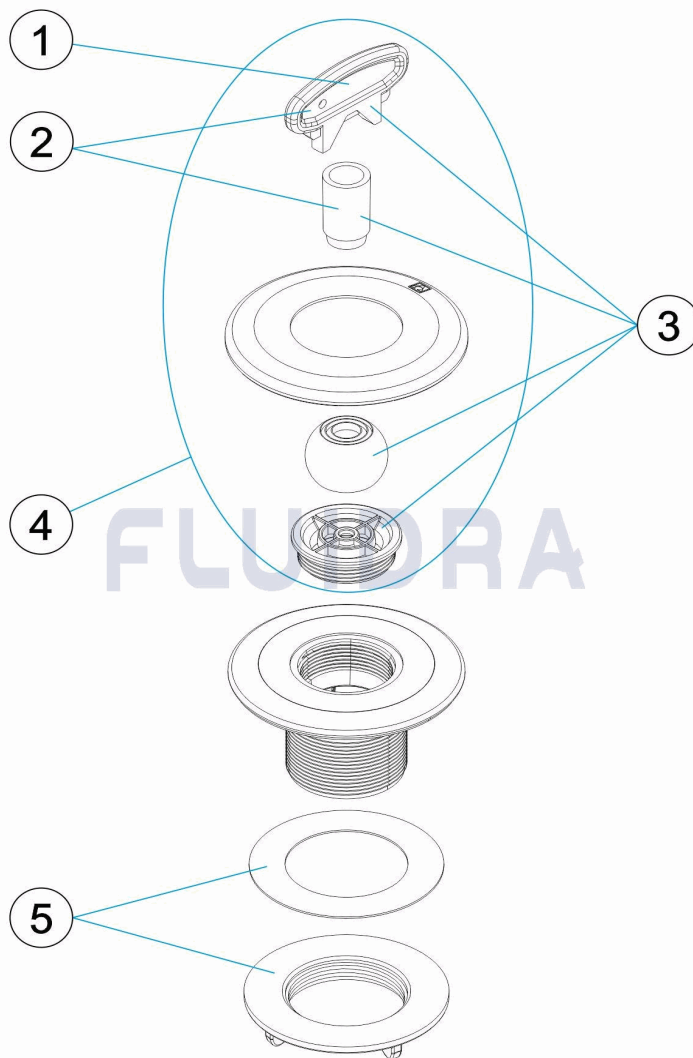
DESCRIPCION: BOQUILLA IMPULSION MULTIFLOW PISCINA PREF.

OBSERVACIONES

POS	CODIGO	OBSERVACIONES
3	* 4402040113	PARA: 00334VV99 WHITE
3	* 4402040114	PARA: 00334VV99CL090 BEIGE
3	* 4402040115	PARA: 00334VV99CL129 GREY
3	* 4402040116	PARA: 00334VV99CL144 ANTHRACITE
4	* 4402040117	PARA: 00334VV99 WHITE
4	* 4402040118	PARA: 00334VV99CL090 BEIGE
4	* 4402040119	PARA: 00334VV99CL129 GREY
4	* 4402040120	PARA: 00334VV99CL144 ANTHRACITE

CODE **00334VV99, 00334VV99CL090, 00334VV99CL129, 00334VV99CL144**

DESCRIPTION: **BUSE REFOULEMENT MULTIFLOW PISCINE PRÉF.**



FRANCAIS

POS	CODE	DESCRIPTION	QUANTITE	POS	CODE	DESCRIPTION	QUANTITE
1	4402040304	CLEF POUR BUSE		4	* 4402040117	ENSEMBLE ROTULE MULTIFLOW COMPLET	
2	4402040093	CLEF POUR BUSE		4	* 4402040118	ENSEMBLE ROTULE MULTIFLOW COMPLET	
3	* 4402040113	ROTULE MULTIFLOW SKIMMER MONOBLC		4	* 4402040119	ENSEMBLE ROTULE MULTIFLOW COMPLET	
3	* 4402040114	ROTULE MULTIFLOW SKIMMER MONOBLC		4	* 4402040120	ENSEMBLE ROTULE MULTIFLOW COMPLET	
3	* 4402040115	ROTULE MULTIFLOW SKIMMER MONOBLC		5	4402041701	ECROU DE FIXATION AVEC JOINT	
3	* 4402040116	ROTULE MULTIFLOW SKIMMER MONOBLC					

CODE **00334VV99, 00334VV99CL090, 00334VV99CL129, 00334VV99CL144**

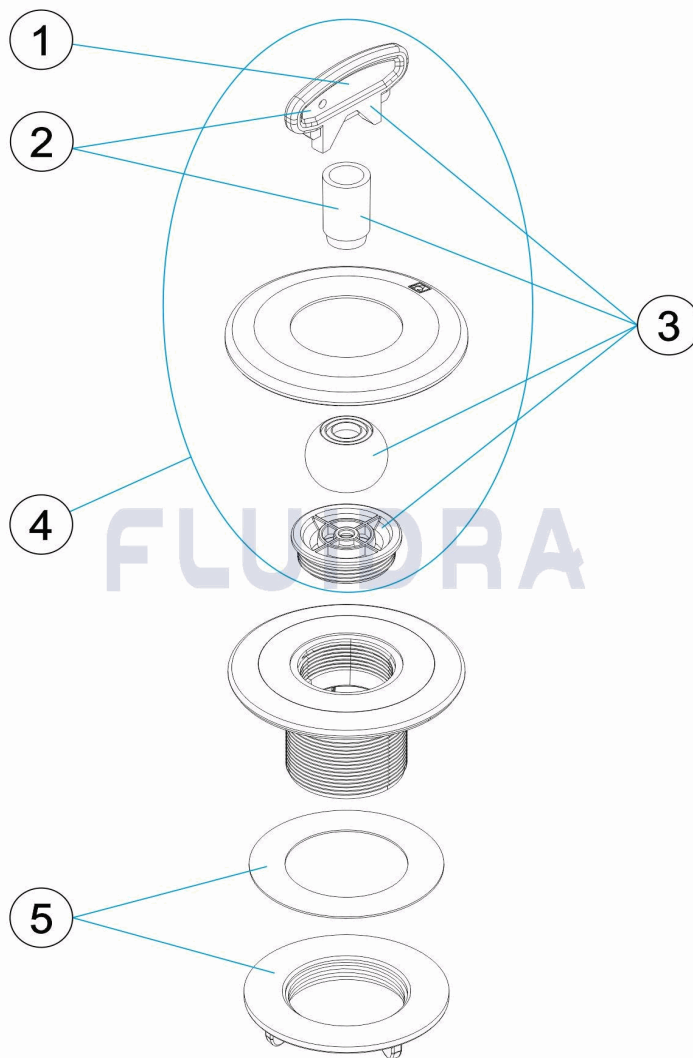
DESCRIPTION: **BUSE REFOULEMENT MULTIFLOW PISCINE PRÉF.**

OBSERVATIONS

POS	CODE	OBSERVATIONS
3	* 4402040113	POUR: 00334VV99 WHITE
3	* 4402040114	POUR: 00334VV99CL090 BEIGE
3	* 4402040115	POUR: 00334VV99CL129 GREY
3	* 4402040116	POUR: 00334VV99CL144 ANTHRACITE
4	* 4402040117	POUR: 00334VV99 WHITE
4	* 4402040118	POUR: 00334VV99CL090 BEIGE
4	* 4402040119	POUR: 00334VV99CL129 GREY
4	* 4402040120	POUR: 00334VV99CL144 ANTHRACITE

CODE **00334VV99, 00334VV99CL090, 00334VV99CL129, 00334VV99CL144**

DESCRIPTION: **MULTIFLOW RETURN INLET PREFAB POOL**



ENGLISH

POS	CODE	DESCRIPTION	QUANTITY	POS	CODE	DESCRIPTION	QUANTITY
1	4402040304	KEY FOR INLET		4	* 4402040117	MULTIFLOW EYEBALL ASSEMBLY	
2	4402040093	KEY FOR INLET		4	* 4402040118	MULTIFLOW EYEBALL ASSEMBLY	
3	* 4402040113	MULTIFLOW BALL, UNIVER. SKIMMER		4	* 4402040119	MULTIFLOW EYEBALL ASSEMBLY	
3	* 4402040114	MULTIFLOW BALL, UNIVER. SKIMMER		4	* 4402040120	MULTIFLOW EYEBALL ASSEMBLY	
3	* 4402040115	MULTIFLOW BALL, UNIVER. SKIMMER		5	4402041701	FIXING NUT AND GASKET	
3	* 4402040116	MULTIFLOW BALL, UNIVER. SKIMMER					

CODE **00334VV99, 00334VV99CL090, 00334VV99CL129, 00334VV99CL144**

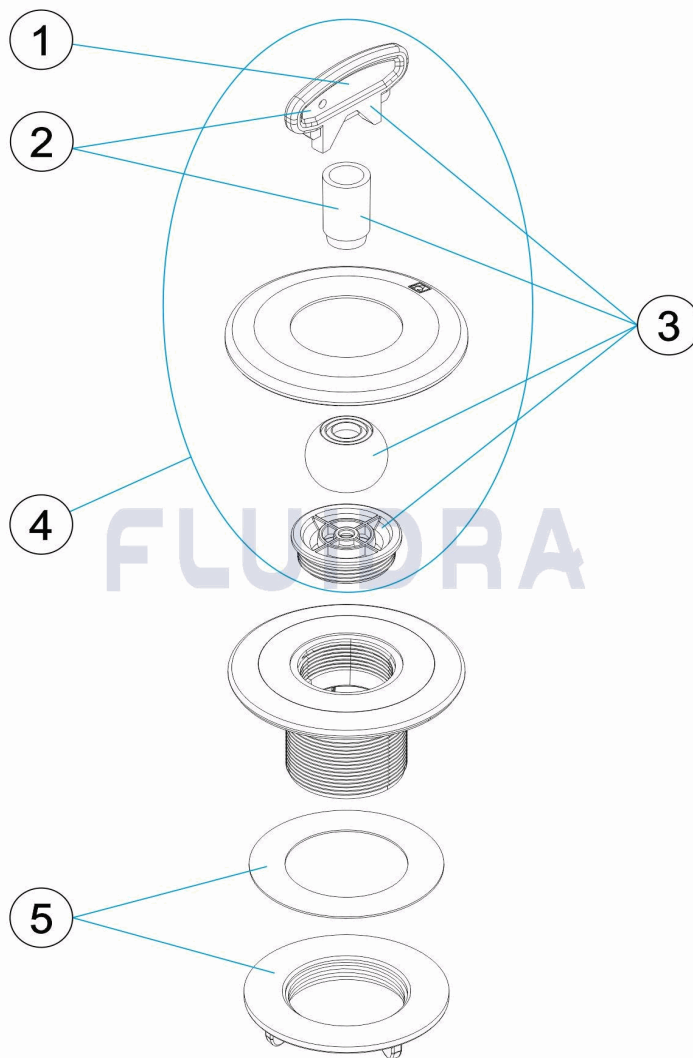
DESCRIPTION: **MULTIFLOW RETURN INLET PREFAB POOL**

OBSERVATIONS

POS	CODE	OBSERVATIONS
3	* 4402040113	FOR: 00334VV99 WHITE
3	* 4402040114	FOR: 00334VV99CL090 BEIGE
3	* 4402040115	FOR: 00334VV99CL129 GREY
3	* 4402040116	FOR: 00334VV99CL144 ANTHRACITE
4	* 4402040117	FOR: 00334VV99 WHITE
4	* 4402040118	FOR: 00334VV99CL090 BEIGE
4	* 4402040119	FOR: 00334VV99CL129 GREY
4	* 4402040120	FOR: 00334VV99CL144 ANTHRACITE

CODICE **00334VV99, 00334VV99CL090, 00334VV99CL129, 00334VV99CL144**

DESCRIZIONE: **BOCCHETTA IMPULSIONE MULTIFLOW PISC. PREF.**



ITALIANO

POS	CODICE	DESCRIZIONE	QUANTITA'	POS	CODICE	DESCRIZIONE	QUANTITA'
1	4402040304	CHIAVE		4	* 4402040117	SFERA MULTIFLOW COMPLETA	
2	4402040093	CHIAVE		4	* 4402040118	SFERA MULTIFLOW COMPLETA	
3	* 4402040113	SFERA MULTI-FLOW SKIMMER		4	* 4402040119	SFERA MULTIFLOW COMPLETA	
3	* 4402040114	SFERA MULTI-FLOW SKIMMER		4	* 4402040120	SFERA MULTIFLOW COMPLETA	
3	* 4402040115	SFERA MULTI-FLOW SKIMMER		5	4402041701	GHIERA FISSAGGIO CON GUARNIZIONE	
3	* 4402040116	SFERA MULTI-FLOW SKIMMER					

CODICE 00334VV99, 00334VV99CL090, 00334VV99CL129, 00334VV99CL144

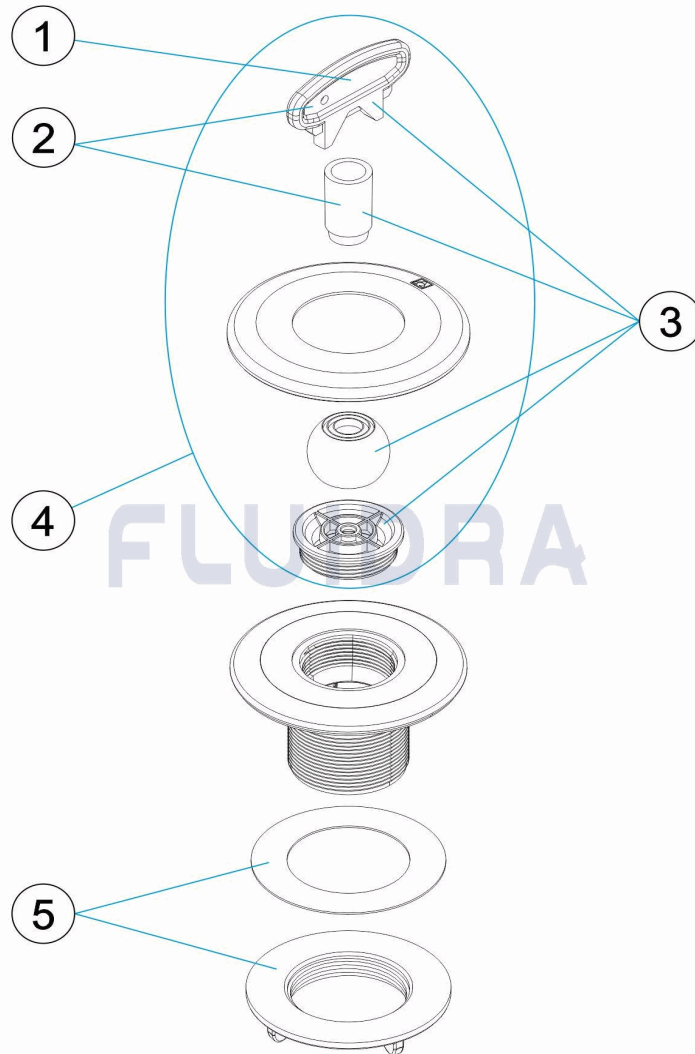
DESCRIZIONE: BOCCHETTA IMPULSIONE MULTIFLOW PISC. PREF.

OSSERVAZIONI

POS	CODICE	OSSERVAZIONI
3	* 4402040113	PER: 00334VV99 WHITE
3	* 4402040114	PER: 00334VV99CL090 BEIGE
3	* 4402040115	PER: 00334VV99CL129 GREY
3	* 4402040116	PER: 00334VV99CL144 ANTHRACITE
4	* 4402040117	PER: 00334VV99 WHITE
4	* 4402040118	PER: 00334VV99CL090 BEIGE
4	* 4402040119	PER: 00334VV99CL129 GREY
4	* 4402040120	PER: 00334VV99CL144 ANTHRACITE

CODE **00334VV99, 00334VV99CL090, 00334VV99CL129, 00334VV99CL144**

BESCHREIBUNG: **EINLAUFDÜSE MULTIFLOW FERTIGBECKEN**



DEUTSCH

POS	CODE	BESCHREIBUNG	MENGE	POS	CODE	BESCHREIBUNG	MENGE
1	4402040304	SCHLÜSSEL DÜSE	4	* 4402040117	MULTIFLOWKUGEL KOMPLETT		
2	4402040093	SCHLÜSSEL DÜSE	4	* 4402040118	MULTIFLOWKUGEL KOMPLETT		
3	* 4402040113	MULTIFLOWKUGEL SKIMMER BEUTEL	4	* 4402040119	MULTIFLOWKUGEL KOMPLETT		
3	* 4402040114	MULTIFLOWKUGEL SKIMMER BEUTEL	4	* 4402040120	MULTIFLOWKUGEL KOMPLETT		
3	* 4402040115	MULTIFLOWKUGEL SKIMMER BEUTEL	5	4402041701	FIXIERMUTTER UND DICHTUNG		
3	* 4402040116	MULTIFLOWKUGEL SKIMMER BEUTEL					

CODE **00334VV99, 00334VV99CL090, 00334VV99CL129, 00334VV99CL144**

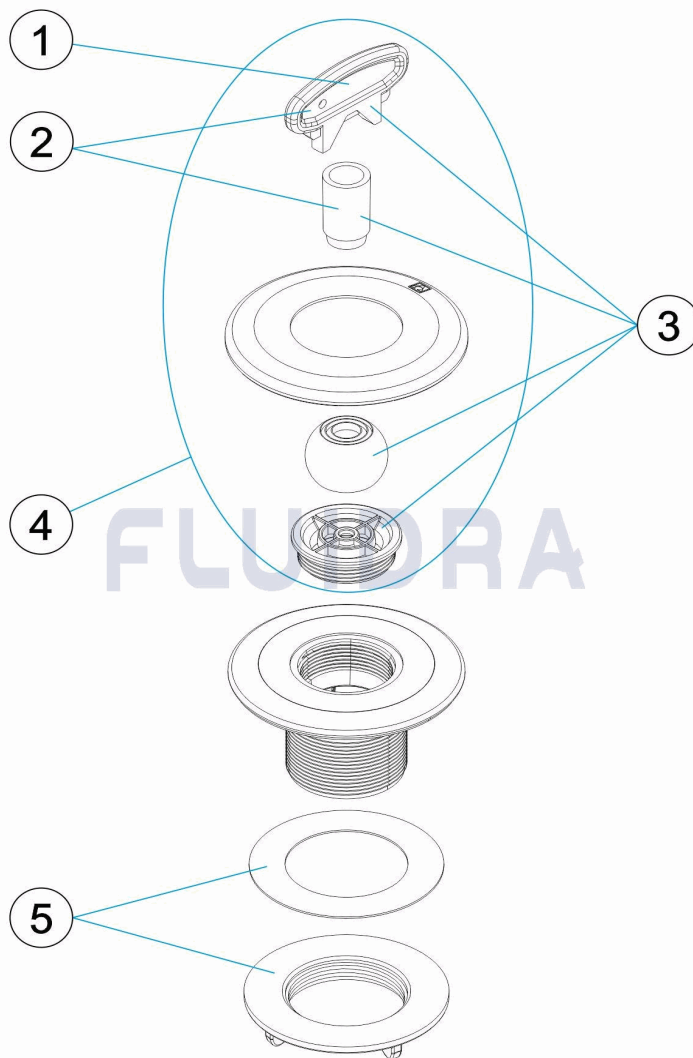
BESCHREIBUNG: **EINLAUFDÜSE MULTIFLOW FERTIGBECKEN**

HINWEISE

POS	CODE	HINWEISE
3	* 4402040113	FÜR: 00334VV99 WHITE
3	* 4402040114	FÜR: 00334VV99CL090 BEIGE
3	* 4402040115	FÜR: 00334VV99CL129 GREY
3	* 4402040116	FÜR: 00334VV99CL144 ANTHRACITE
4	* 4402040117	FÜR: 00334VV99 WHITE
4	* 4402040118	FÜR: 00334VV99CL090 BEIGE
4	* 4402040119	FÜR: 00334VV99CL129 GREY
4	* 4402040120	FÜR: 00334VV99CL144 ANTHRACITE

CODIGO 00334VV99, 00334VV99CL090, 00334VV99CL129, 00334VV99CL144

DESCRIÇÃO: BOQUILHA IMPULSÃO MULTIFLOW PISCINA PRÉ-F.



PORTUGUES

POS	CODIGO	DESCRIÇÃO	JANTIDADE	POS	CODIGO	DESCRIÇÃO	JANTIDADE
1	4402040304	CHAVE BOCA		4	* 4402040117	BOLA MULTIFLOW COMPLETA	
2	4402040093	CHAVE BOCA		4	* 4402040118	BOLA MULTIFLOW COMPLETA	
3	* 4402040113	BOLA MULTIFLOW SKIMMER MOCHILA		4	* 4402040119	BOLA MULTIFLOW COMPLETA	
3	* 4402040114	BOLA MULTIFLOW SKIMMER MOCHILA		4	* 4402040120	BOLA MULTIFLOW COMPLETA	
3	* 4402040115	BOLA MULTIFLOW SKIMMER MOCHILA		5	4402041701	PORCA FIXAÇÃO COM JUNTA	
3	* 4402040116	BOLA MULTIFLOW SKIMMER MOCHILA					

CODIGO 00334VV99, 00334VV99CL090, 00334VV99CL129, 00334VV99CL144

DESCRIÇÃO: BOQUILHA IMPULSÃO MULTIFLOW PISCINA PRÉ-F.

OBSERVAÇÕES

POS	CODIGO	OBSERVAÇÕES
3	* 4402040113	PARA: 00334VV99 WHITE
3	* 4402040114	PARA: 00334VV99CL090 BEIGE
3	* 4402040115	PARA: 00334VV99CL129 GREY
3	* 4402040116	PARA: 00334VV99CL144 ANTHRACITE
4	* 4402040117	PARA: 00334VV99 WHITE
4	* 4402040118	PARA: 00334VV99CL090 BEIGE
4	* 4402040119	PARA: 00334VV99CL129 GREY
4	* 4402040120	PARA: 00334VV99CL144 ANTHRACITE