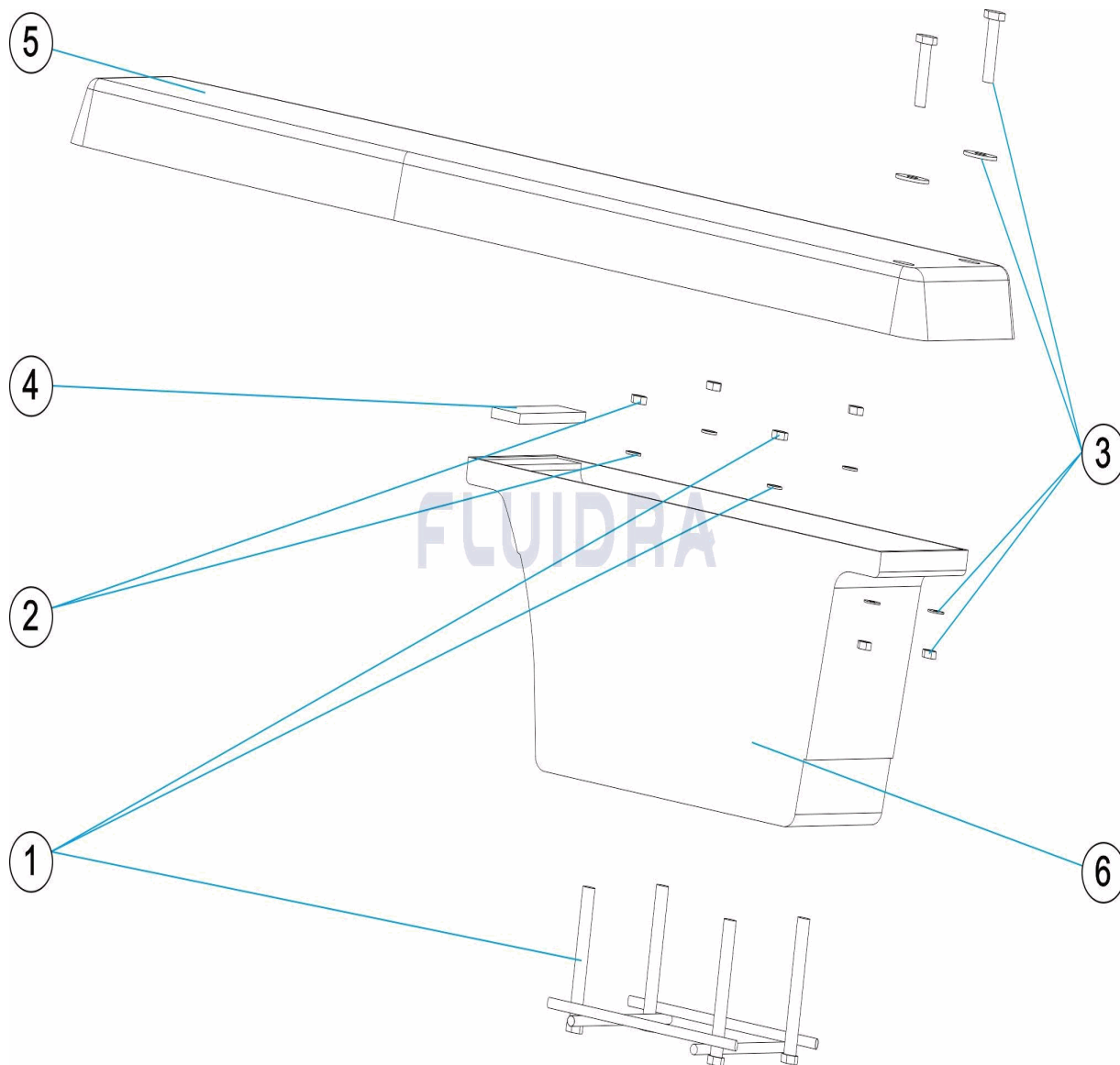


CODIGO **20090**

DESCRIPCION: **PALANCA DYNAMIC**

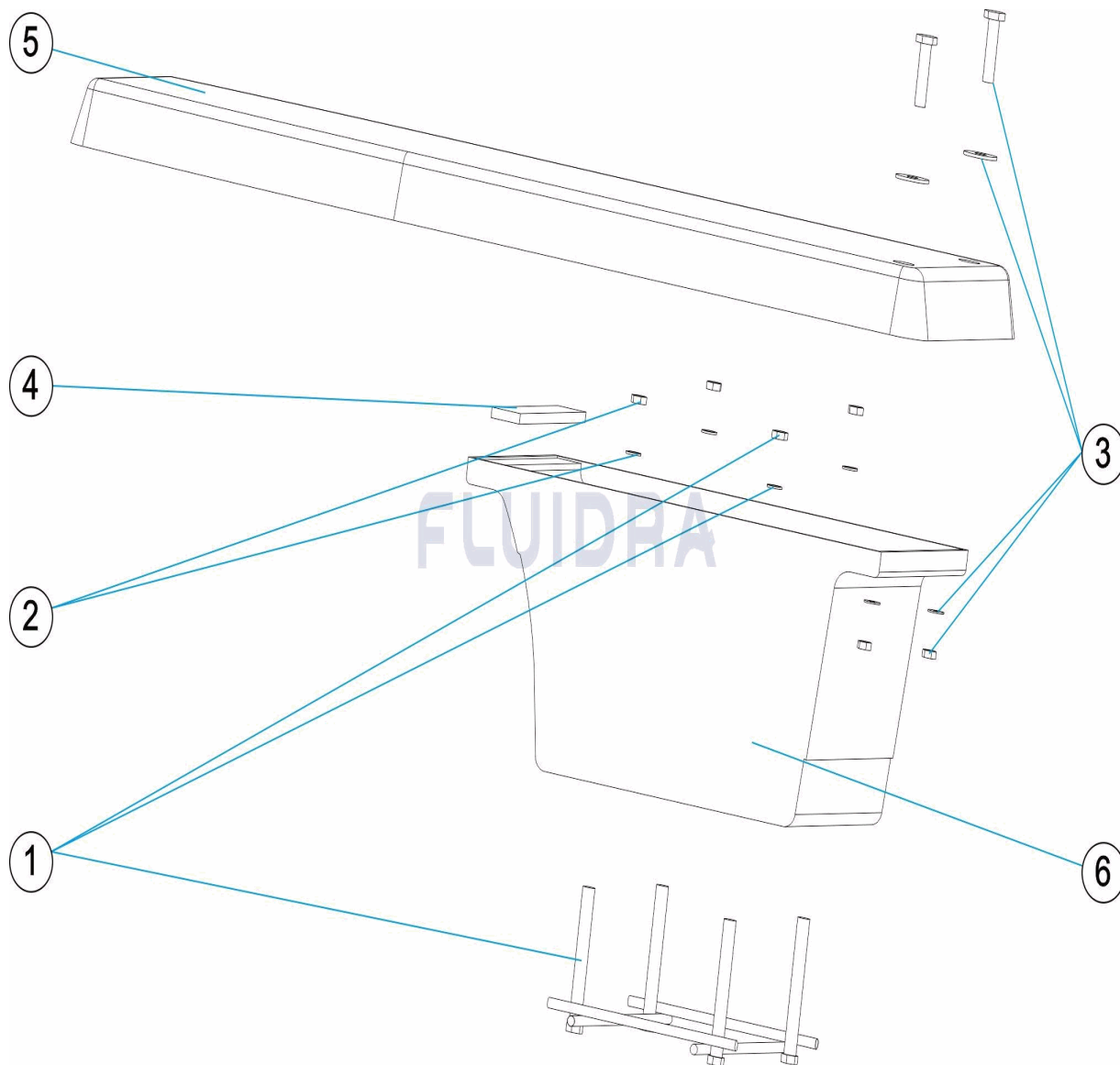


ESPAÑOL

POS	CODIGO	DESCRIPCION	CANTIDAD	POS	CODIGO	DESCRIPCION	CANTIDAD
1	4401021201	ANCLAJE PALANCA DYNAMIC	4	4	4401021204	GOMA DYNAMIC	
2	4401021202	TORNILLERIA ANCLAJE DYNAMIC	5	5	20090-0207	PISTA DYNAMIC 1200 BLANCA	
3	4401021203	TORNILLERIA TRAMPOLIN DYNAMIC	6	6	20090R0010	BASE PALANCA DYNAMIC	

CODE **20090**

DESCRIPTION: **PLANCHE DYNAMIC**

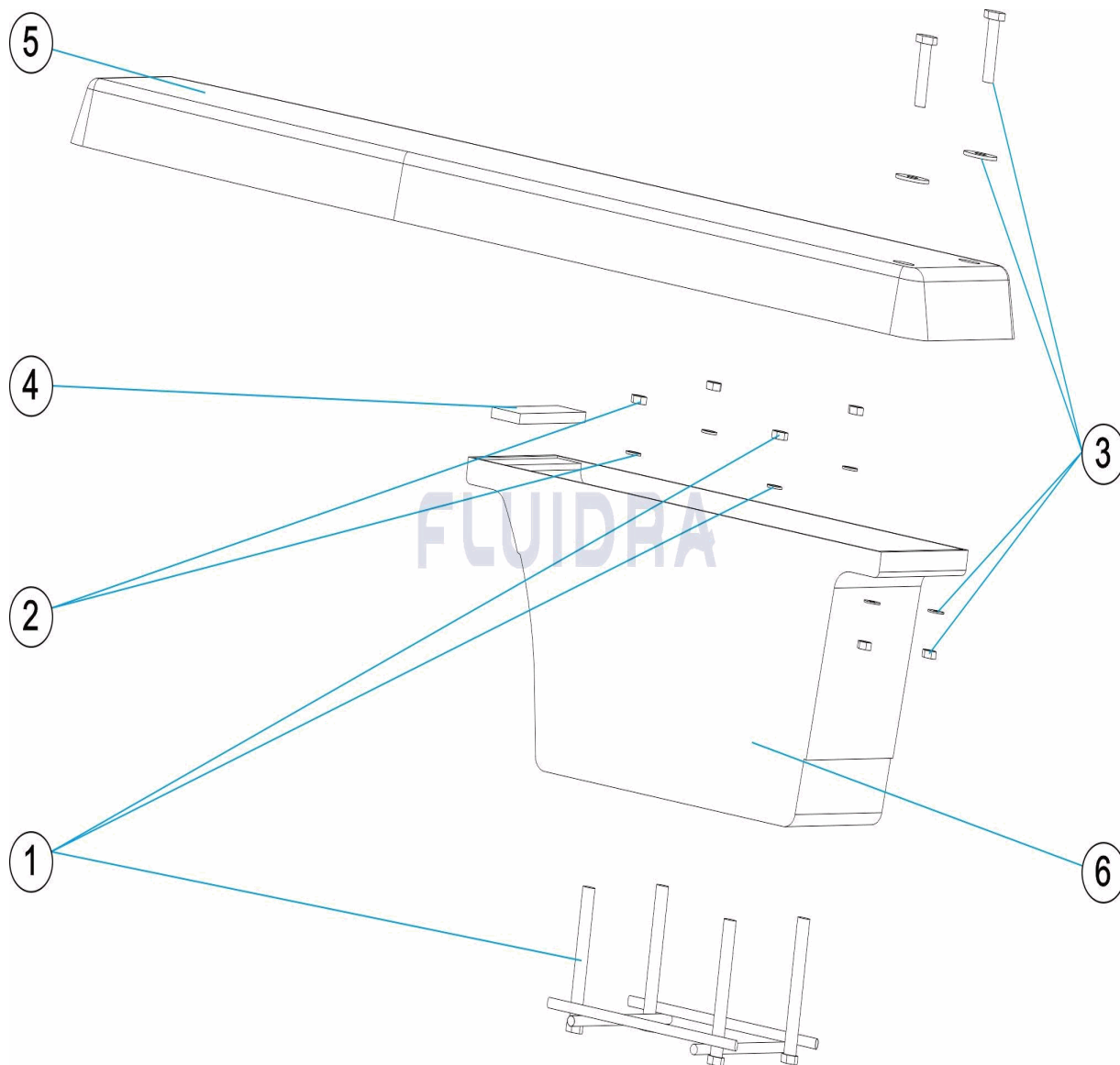


FRANCAIS

POS	CODE	DESCRIPTION	QUANTITE	POS	CODE	DESCRIPTION	QUANTITE
1	4401021201	ANCRAGE PLONGEOIR DYNAMIC	4	4401021204	AMORTISSEUR PLONGEOIR DYNAMIC		
2	4401021202	VISSERIE ANCRAGE PLONGEOIR DYNAMI	5	20090-0207	(NOT DEFINED)		
3	4401021203	VISSERIE PLONGEOIR DYNAMIC	6	20090R0010	BASE PLANCHE DYNAMIC		

CODE **20090**

DESCRIPTION: **DYNAMIC DIVING BOARD**

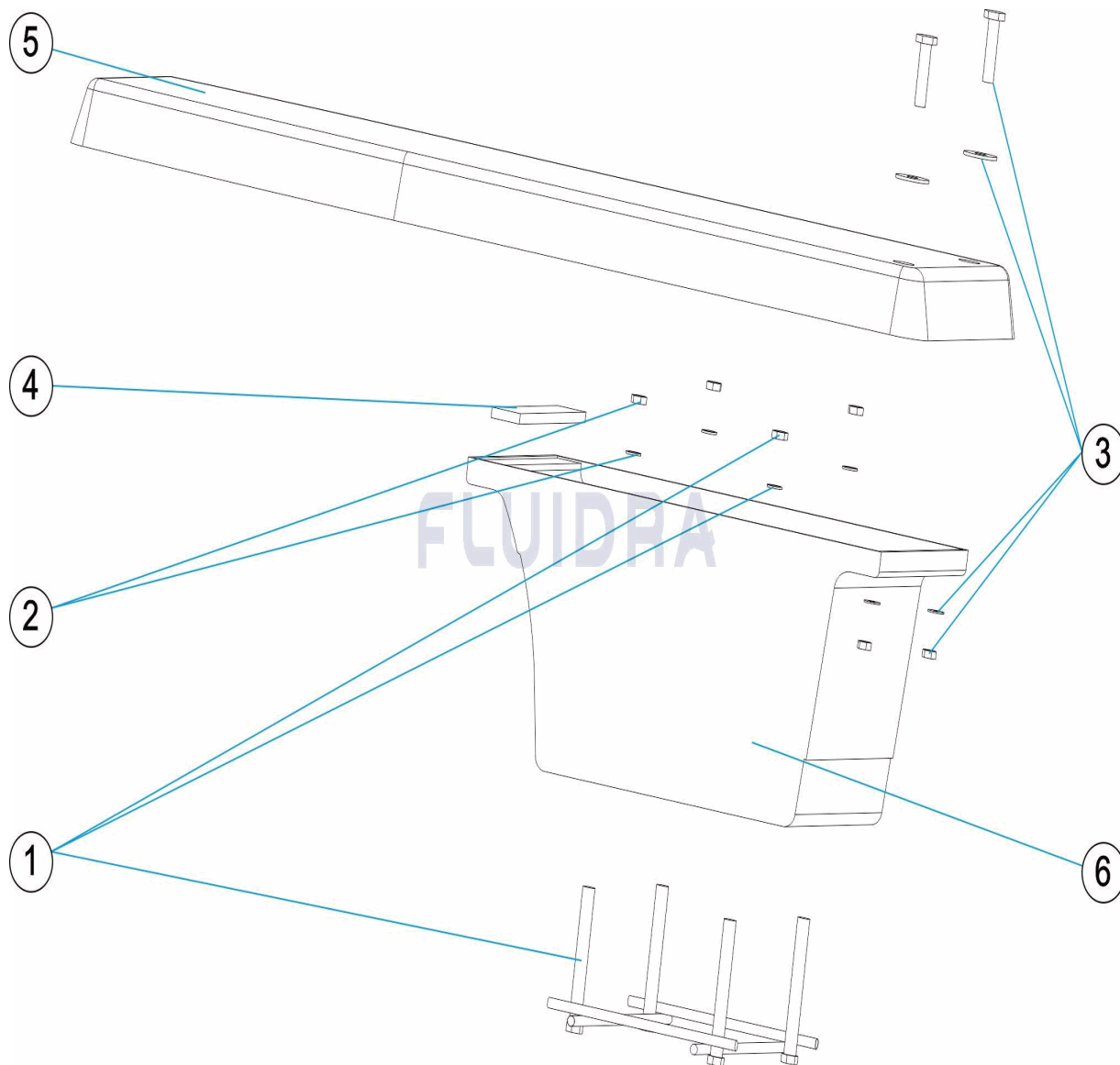


ENGLISH

POS	CODE	DESCRIPTION	QUANTITY	POS	CODE	DESCRIPTION	QUANTITY
1	4401021201	ANCHOR FOR DYNAMIC BOARD		4	4401021204	DYNAMIC RUBBER SUPPORT	
2	4401021202	ANCHOR FIXINGS		5	20090-0207	(NOT DEFINED)	
3	4401021203	DYNAMIC BOARD FIXINGS		6	20090R0010	BASE	

CODICE **20090**

DESCRIZIONE: **TRAMPOLINO DYNAMIC**

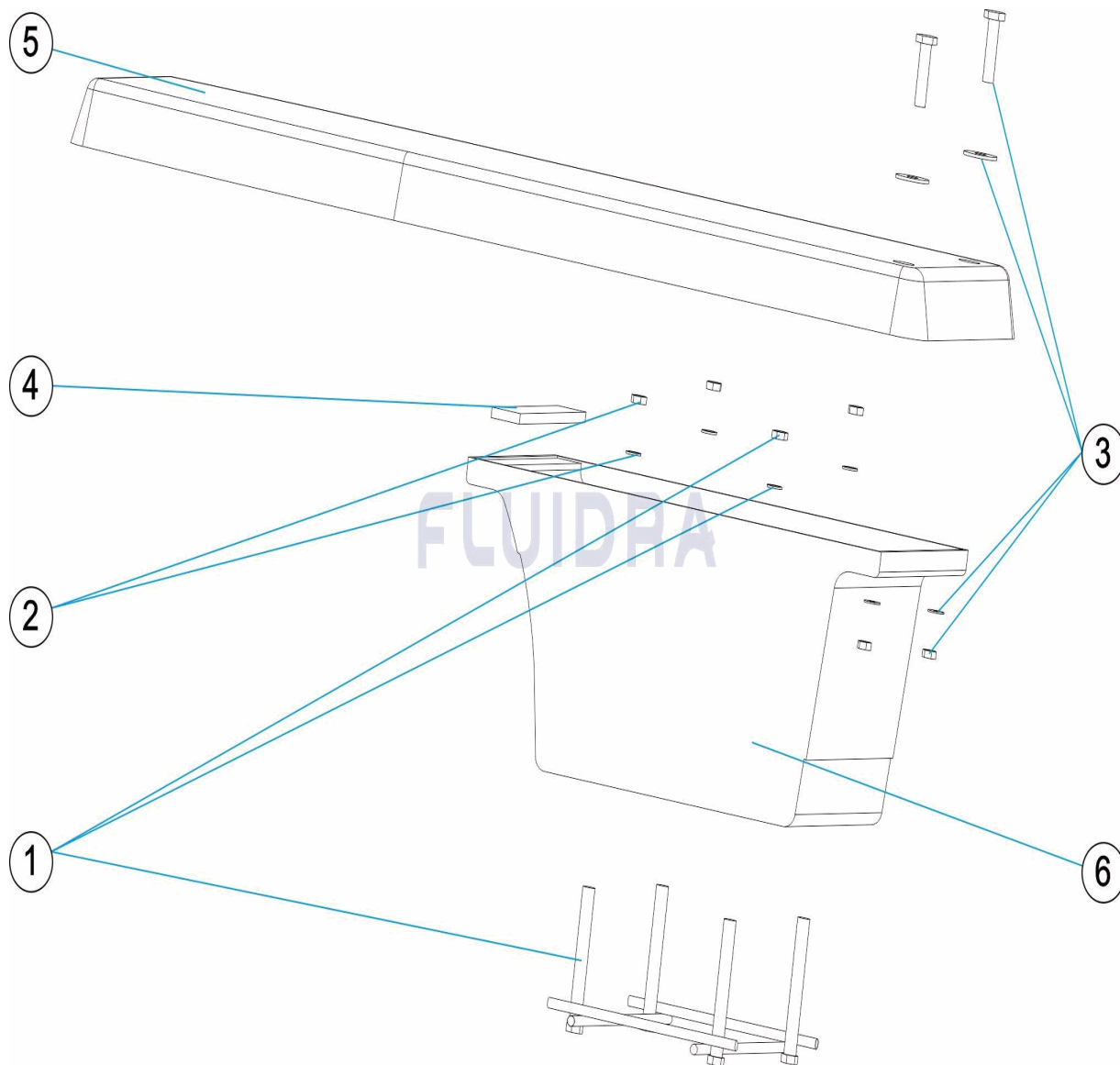


ITALIANO

POS	CODICE	DESCRIZIONE	QUANTITA'	POS	CODICE	DESCRIZIONE	QUANTITA'
1	4401021201	ANCORAGGIO TAVOLA DYNAMIC	4	4	4401021204	GOMMA DYNAMIC	
2	4401021202	BULLONERIA ANCORAGGIO DYNAMIC	5	5	20090-0207	(NOT DEFINED)	
3	4401021203	BULLONERIA TRAMPOLINO DYNAMIC	6	6	20090R0010	BASE DYNAMIC	

CODE **20090**

BESCHREIBUNG: **SPRUNGBRETT DYNAMIC**

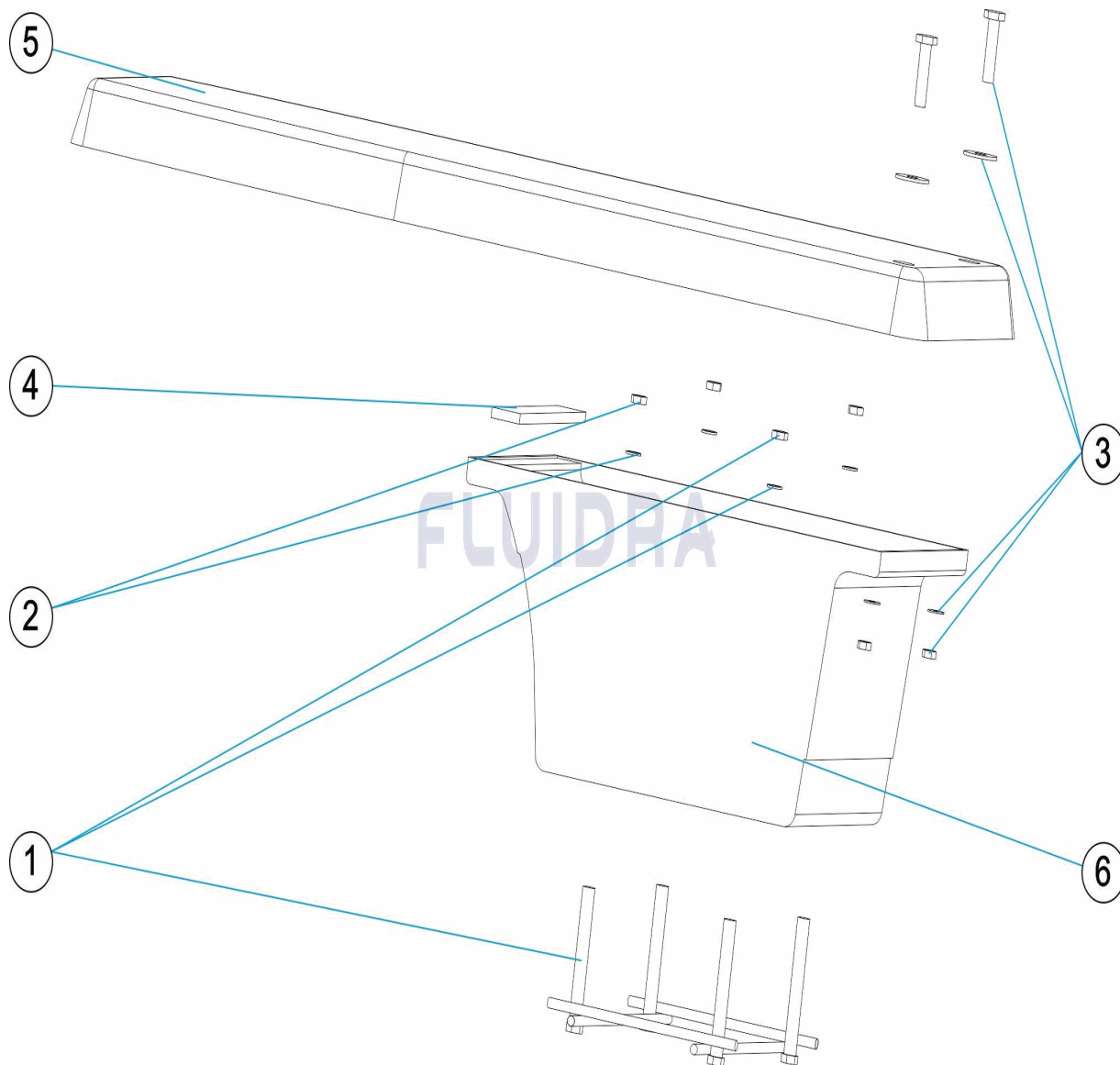


DEUTSCH

POS	CODE	BESCHREIBUNG	MENGE	POS	CODE	BESCHREIBUNG	MENGE
1	4401021201	VERANKERUNG SPRUNGBRETT DYNAMIC	4	4401021204	GUMMI DYNAMIC		
2	4401021202	SCHRAUBENSATZ VERANKERUNG DYNAM	5	20090-0207	(NOT DEFINED)		
3	4401021203	SCHRAUBENSATZ SPRUNGBRETT DYNAM	6	20090R0010	BASIS SPRUNGBRETT DYNAMIC		

CODIGO **20090**

DESCRIÇÃO: **PRANCHA DE SALTOS DYNAMIC**



PORTUGUES

POS	CODIGO	DESCRIÇÃO	JANTIDADE	POS	CODIGO	DESCRIÇÃO	JANTIDADE
1	4401021201	ÂNCORA PRANCHA DYNAMIC	4	4	4401021204	BORRACHA DYNAMIC	
2	4401021202	CONJ. PARAFUSOS/ANILHA ÂNCORA DYN,	5	5	20090-0207	(NOT DEFINED)	
3	4401021203	CONJ. PARAFUSOS TRAMPOLIM DINAMIC	6	6	20090R0010	BASE ALAVANCA DYNAMIC	