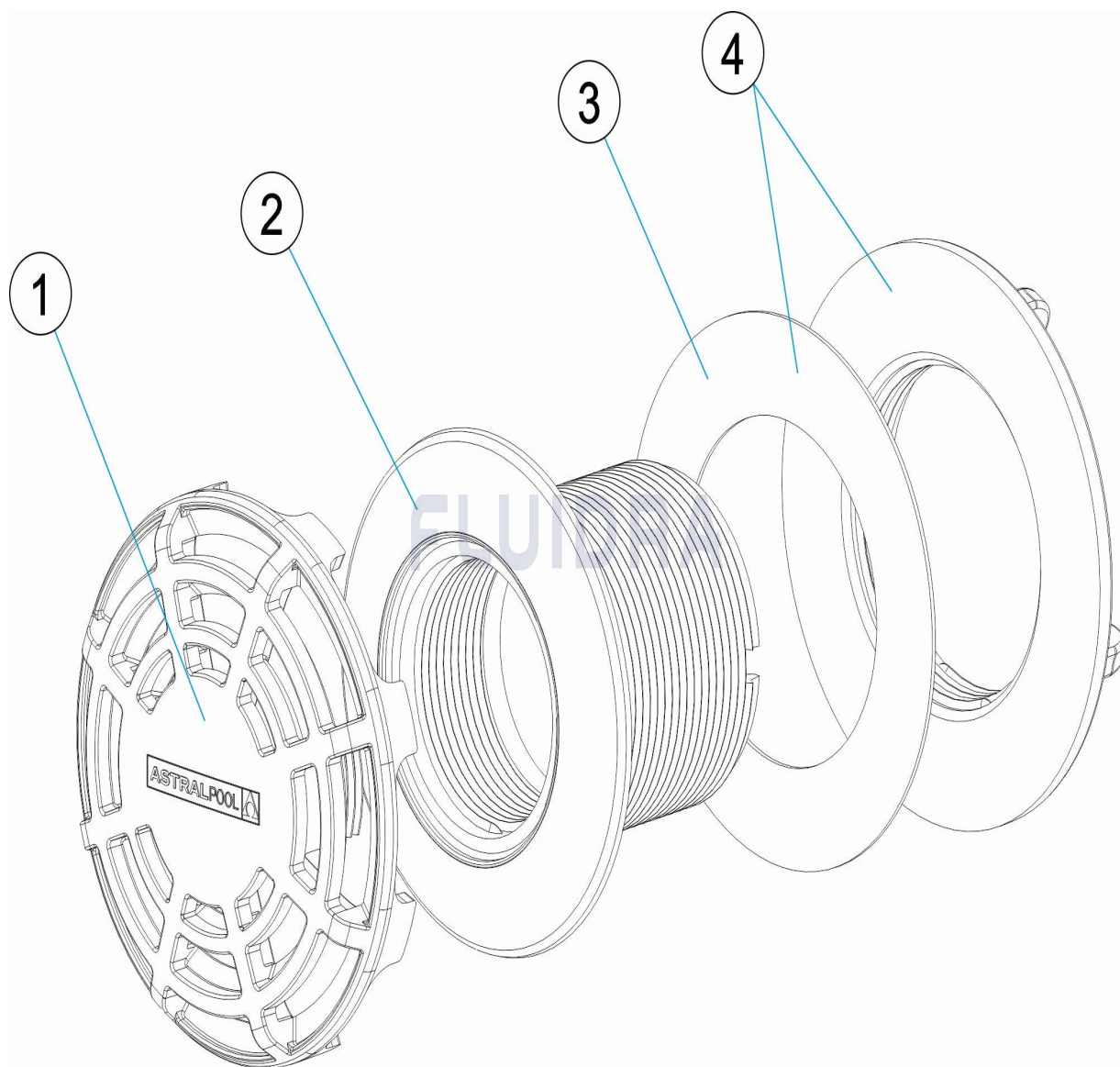


CODIGO 74121, 74121CL090, 74121CL129, 74121CL144

DESCRIPCION: REJA ASPIRACIÓN



ESPAÑOL

POS	CODIGO	DESCRIPCION	CANTIDAD	POS	CODIGO	DESCRIPCION	CANTIDAD
1	* 74121R0001	REJA ASP POLIESTER		2	4402040128	BASE BOQUILLA	
1	* 4402040125	REJA ASPIRACIÓN		3	4402046005	JUNTA PLANA 60X95X1	
1	* 4402040126	REJA ASPIRACIÓN		4	4402041701	TUERCA FIJACION CON JUNTA	
1	* 74121R0001CL144	REJA ASP POLIESTER ANTRACITA					

CODIGO **74121, 74121CL090, 74121CL129, 74121CL144**

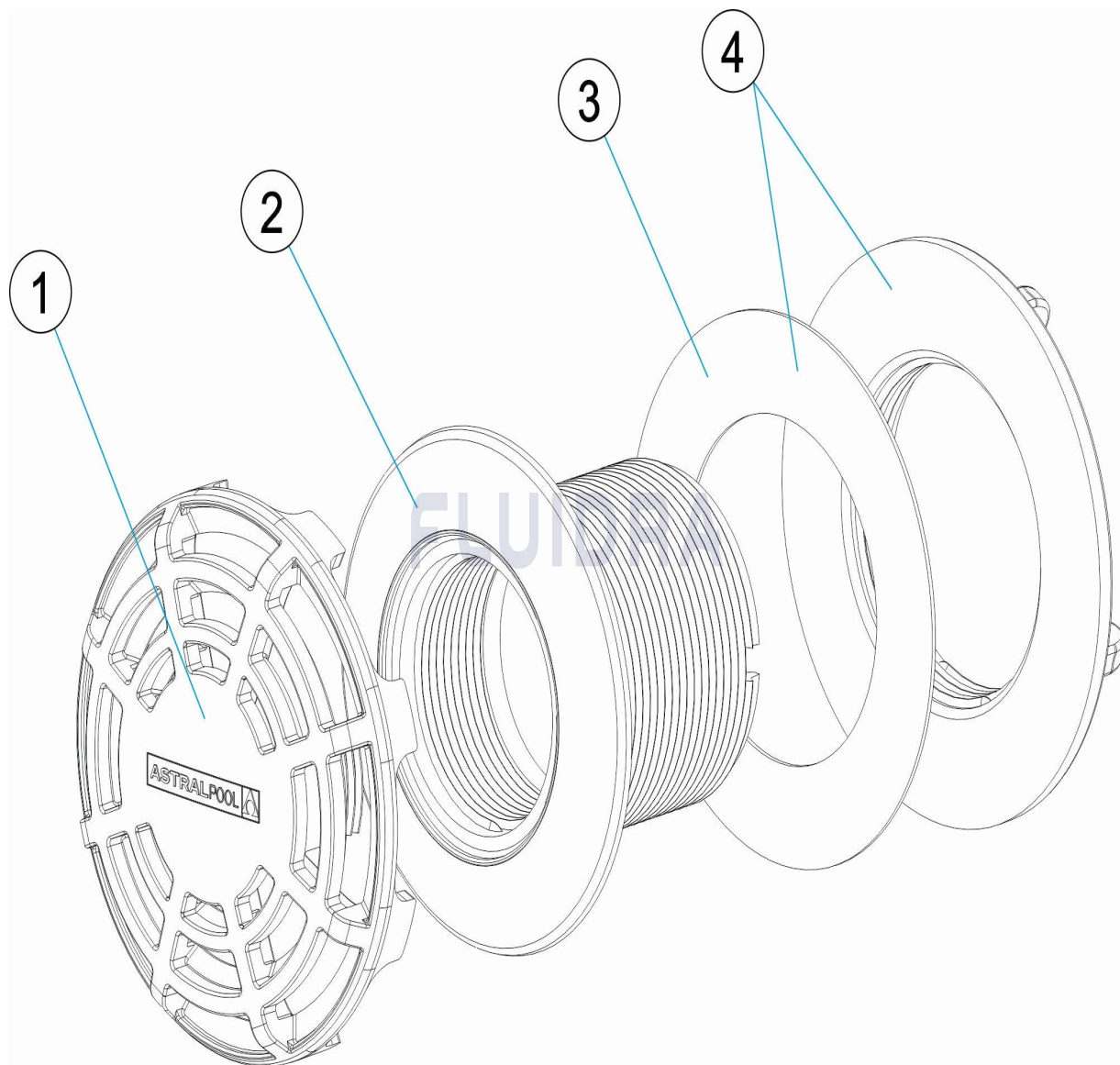
DESCRIPCION: REJA ASPIRACIÓN

OBSERVACIONES

POS	CODIGO	OBSERVACIONES
1	* 74121R0001	PARA: 74121 WHITE
1	* 4402040125	PARA: 74121CL090 BEIGE
1	* 4402040126	PARA: 74121CL129 GREY
1	* 74121R0001CL144	PARA: 74121CL144 ANTHRACITE

CODE **74121, 74121CL090, 74121CL129, 74121CL144**

DESCRIPTION: **GRILLE D'ASPIRATION**



FRANCAIS

POS	CODE	DESCRIPTION	QUANTITE	POS	CODE	DESCRIPTION	QUANTITE
1	* 74121R0001	(NOT DEFINED)		2	4402040128	BASE BUSE	
1	* 4402040125	GRILLE D'ASPIRATION		3	4402046005	JOINT PLAT 60X95X1	
1	* 4402040126	GRILLE D'ASPIRATION		4	4402041701	ECROU DE FIXATION AVEC JOINT	
1	* 74121R0001CL144	(NOT DEFINED)					

CODE **74121, 74121CL090, 74121CL129, 74121CL144**

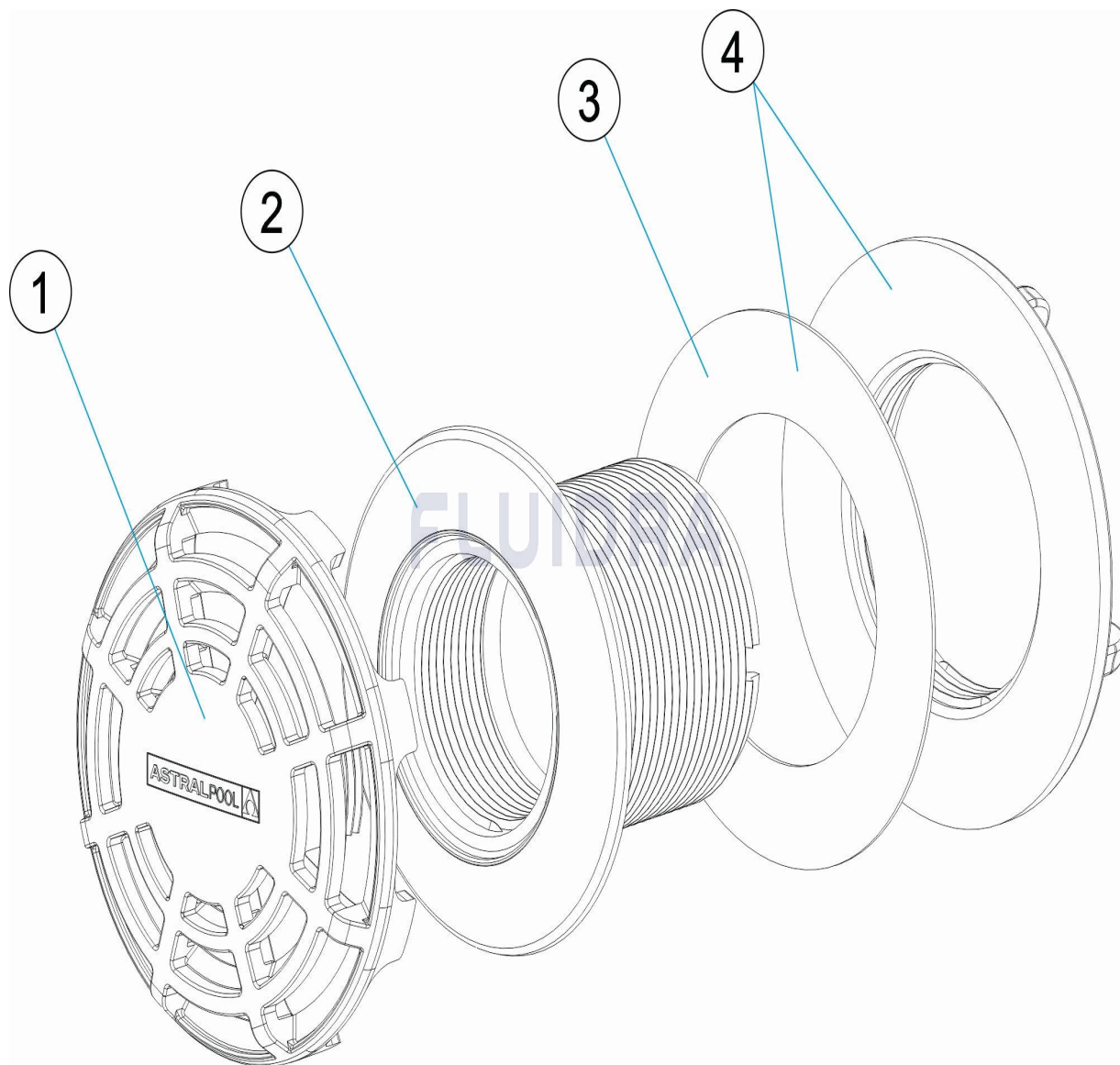
DESCRIPTION: **GRILLE D'ASPIRATION**

OBSERVATIONS

POS	CODE	OBSERVATIONS
1	* 74121R0001	POUR: 74121 WHITE
1	* 4402040125	POUR: 74121CL090 BEIGE
1	* 4402040126	POUR: 74121CL129 GREY
1	* 74121R0001CL144	POUR: 74121CL144 ANTHRACITE

CODE 74121, 74121CL090, 74121CL129, 74121CL144

DESCRIPTION: SUCTION GRILL



ENGLISH

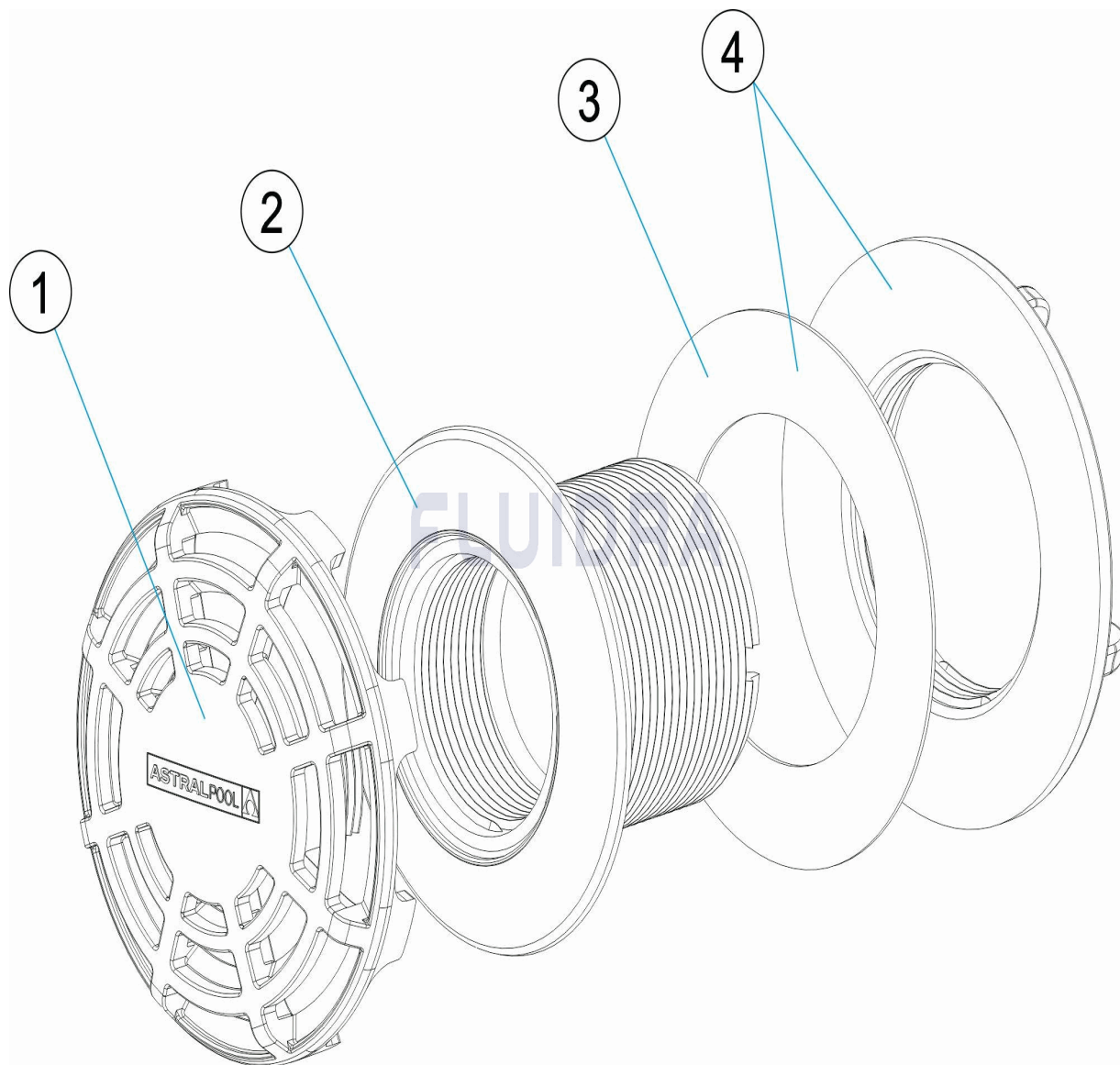
POS	CODE	DESCRIPTION	QUANTITY	POS	CODE	DESCRIPTION	QUANTITY
1	* 74121R0001	(NOT DEFINED)		2	4402040128	RETURN INLET BASE	
1	* 4402040125	SUCTION GRILL		3	4402046005	INLET GASKET 60X95X1	
1	* 4402040126	SUCTION GRILL		4	4402041701	FIXING NUT AND GASKET	
1	* 74121R0001CL144	(NOT DEFINED)					

CODE **74121, 74121CL090, 74121CL129, 74121CL144**DESCRIPTION: **SUCTION GRILL****OBSERVATIONS**

POS	CODE	OBSERVATIONS
1	* 74121R0001	FOR: 74121 WHITE
1	* 4402040125	FOR: 74121CL090 BEIGE
1	* 4402040126	FOR: 74121CL129 GREY
1	* 74121R0001CL144	FOR: 74121CL144 ANTHRACITE

CODICE **74121, 74121CL090, 74121CL129, 74121CL144**

DESCRIZIONE: **GRIGLIA ASPIRAZIONE**



ITALIANO

POS	CODICE	DESCRIZIONE	QUANTITA'	POS	CODICE	DESCRIZIONE	QUANTITA'
1	* 74121R0001	(NOT DEFINED)		2	4402040128	BASE BOCCHETTA	
1	* 4402040125	GRIGLIA ASPIRAZIONE		3	4402046005	GUERNICIONE PIANA 60X95X1	
1	* 4402040126	GRIGLIA ASPIRAZIONE		4	4402041701	GHIERA FISSAGGIO CON GUARNIZIONE	
1	* 74121R0001CL144	(NOT DEFINED)					

CODICE **74121, 74121CL090, 74121CL129, 74121CL144**

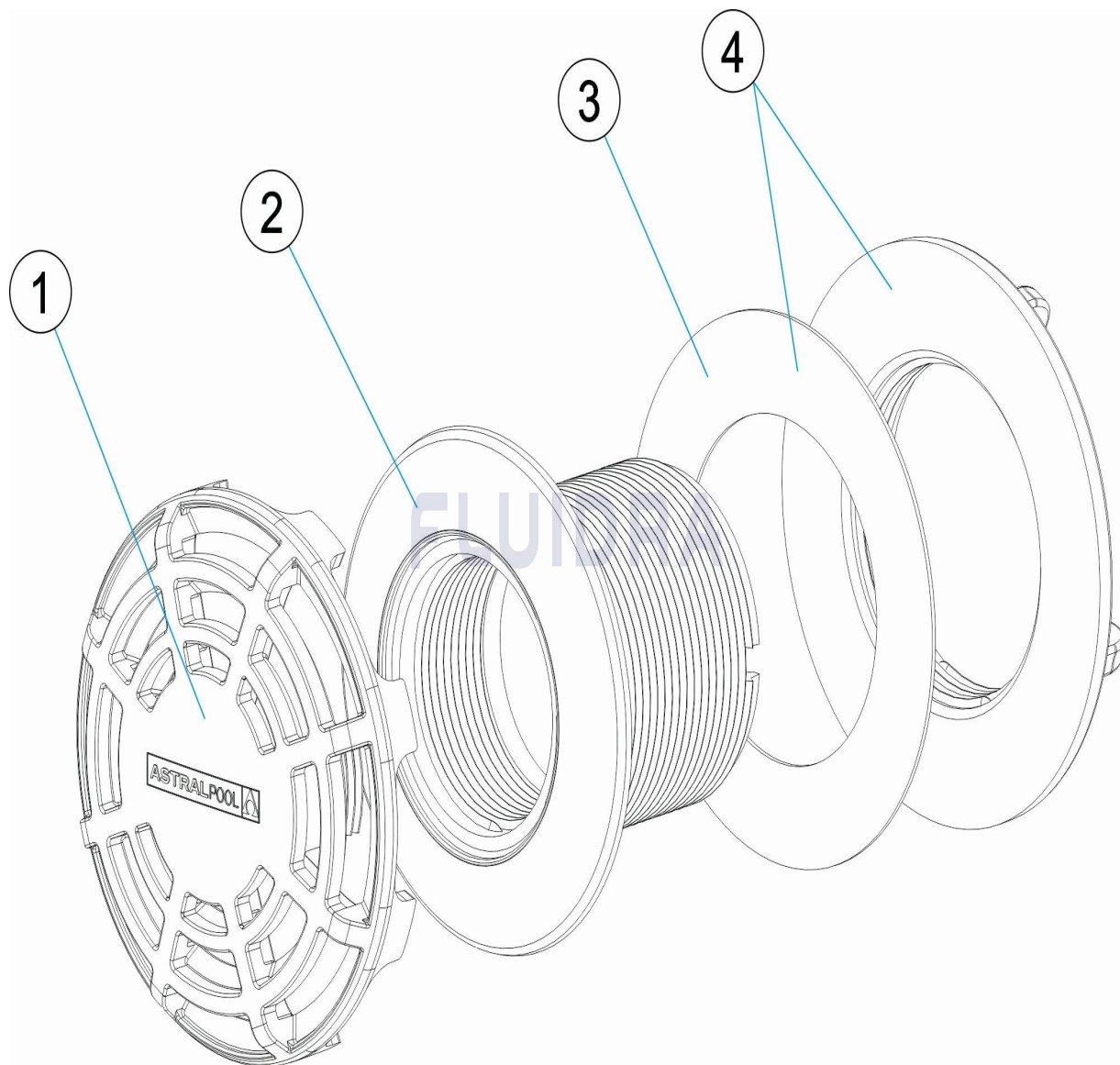
DESCRIZIONE: GRIGLIA ASPIRAZIONE

OSSERVAZIONI

POS	CODICE	OSSERVAZIONI
1	* 74121R0001	PER: 74121 WHITE
1	* 4402040125	PER: 74121CL090 BEIGE
1	* 4402040126	PER: 74121CL129 GREY
1	* 74121R0001CL144	PER: 74121CL144 ANTHRACITE

CODE 74121, 74121CL090, 74121CL129, 74121CL144

BESCHREIBUNG: ANSAUGGITTER



DEUTSCH

POS	CODE	BESCHREIBUNG	MENGE	POS	CODE	BESCHREIBUNG	MENGE
1	* 74121R0001	(NOT DEFINED)		2	4402040128	DÜSENBASIS	
1	* 4402040125	ANSAUGGITTER		3	4402046005	FLACHDICHTUNG 60 X 95 X 1	
1	* 4402040126	ANSAUGGITTER		4	4402041701	FIXIERMUTTER UND DICHTUNG	
1	* 74121R0001CL144	(NOT DEFINED)					

CODE **74121, 74121CL090, 74121CL129, 74121CL144**

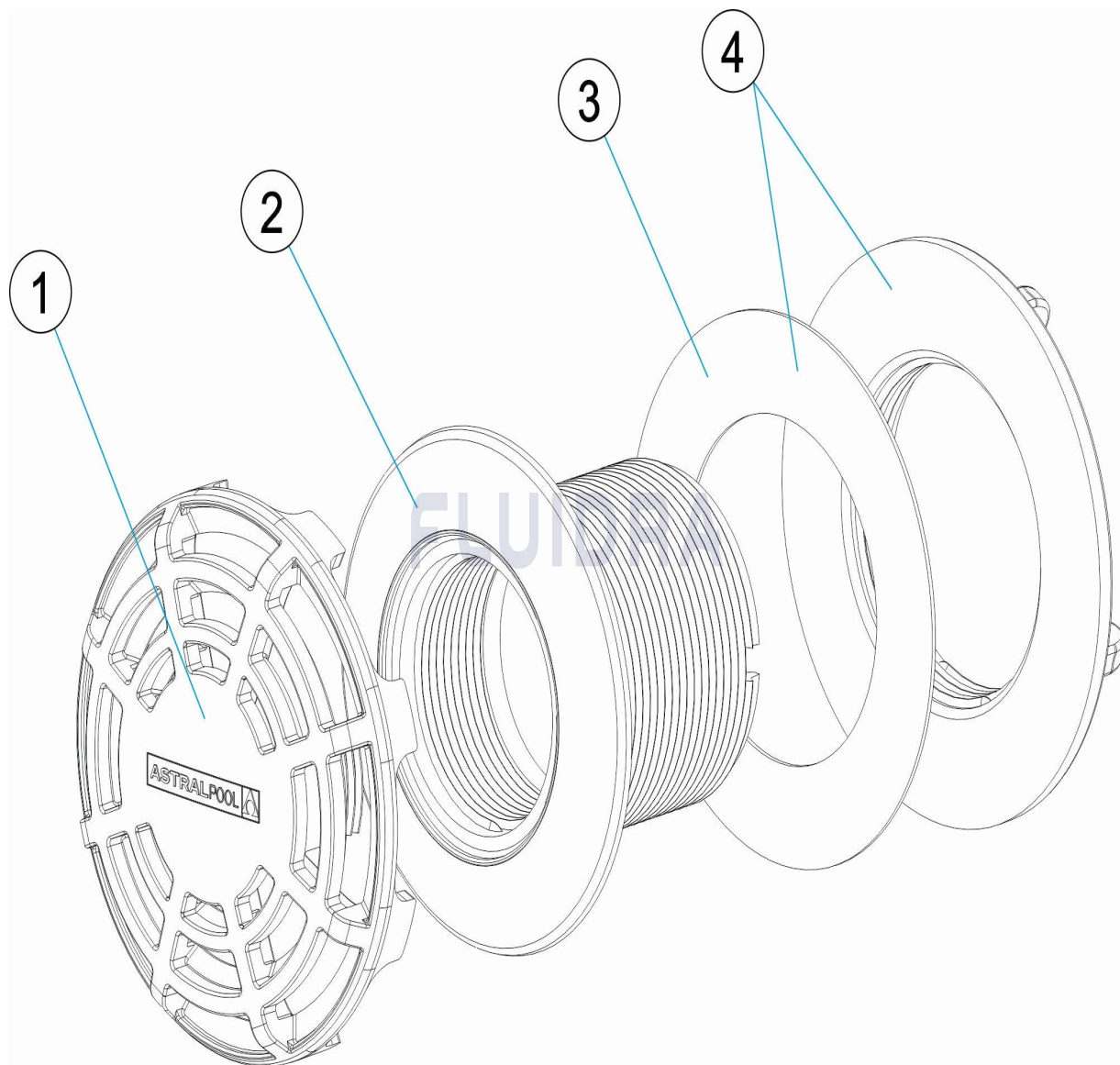
BESCHREIBUNG: **ANSAUGGITTER**

HINWEISE

POS	CODE	HINWEISE
1	* 74121R0001	FÜR: 74121 WHITE
1	* 4402040125	FÜR: 74121CL090 BEIGE
1	* 4402040126	FÜR: 74121CL129 GREY
1	* 74121R0001CL144	FÜR: 74121CL144 ANTHRACITE

CODIGO 74121, 74121CL090, 74121CL129, 74121CL144

DESCRIÇÃO: GRADE ASPIRAÇÃO



PORTUGUES

POS	CODIGO	DESCRIÇÃO	JANTIDADE	POS	CODIGO	DESCRIÇÃO	JANTIDADE
1	* 74121R0001	(NOT DEFINED)		2	4402040128	BASE BOQUILHA	
1	* 4402040125	GRADE ASPIRAÇÃO		3	4402046005	JUNTA PLANA 60X95X1	
1	* 4402040126	GRADE ASPIRAÇÃO		4	4402041701	PORCA FIXAÇÃO COM JUNTA	
1	* 74121R0001CL144	(NOT DEFINED)					

CODIGO **74121, 74121CL090, 74121CL129, 74121CL144**

DESCRIÇÃO: GRADE ASPIRAÇÃO

OBSERVAÇÕES

POS	CODIGO	OBSERVAÇÕES
1	* 74121R0001	PARA: 74121 WHITE
1	* 4402040125	PARA: 74121CL090 BEIGE
1	* 4402040126	PARA: 74121CL129 GREY
1	* 74121R0001CL144	PARA: 74121CL144 ANTHRACITE