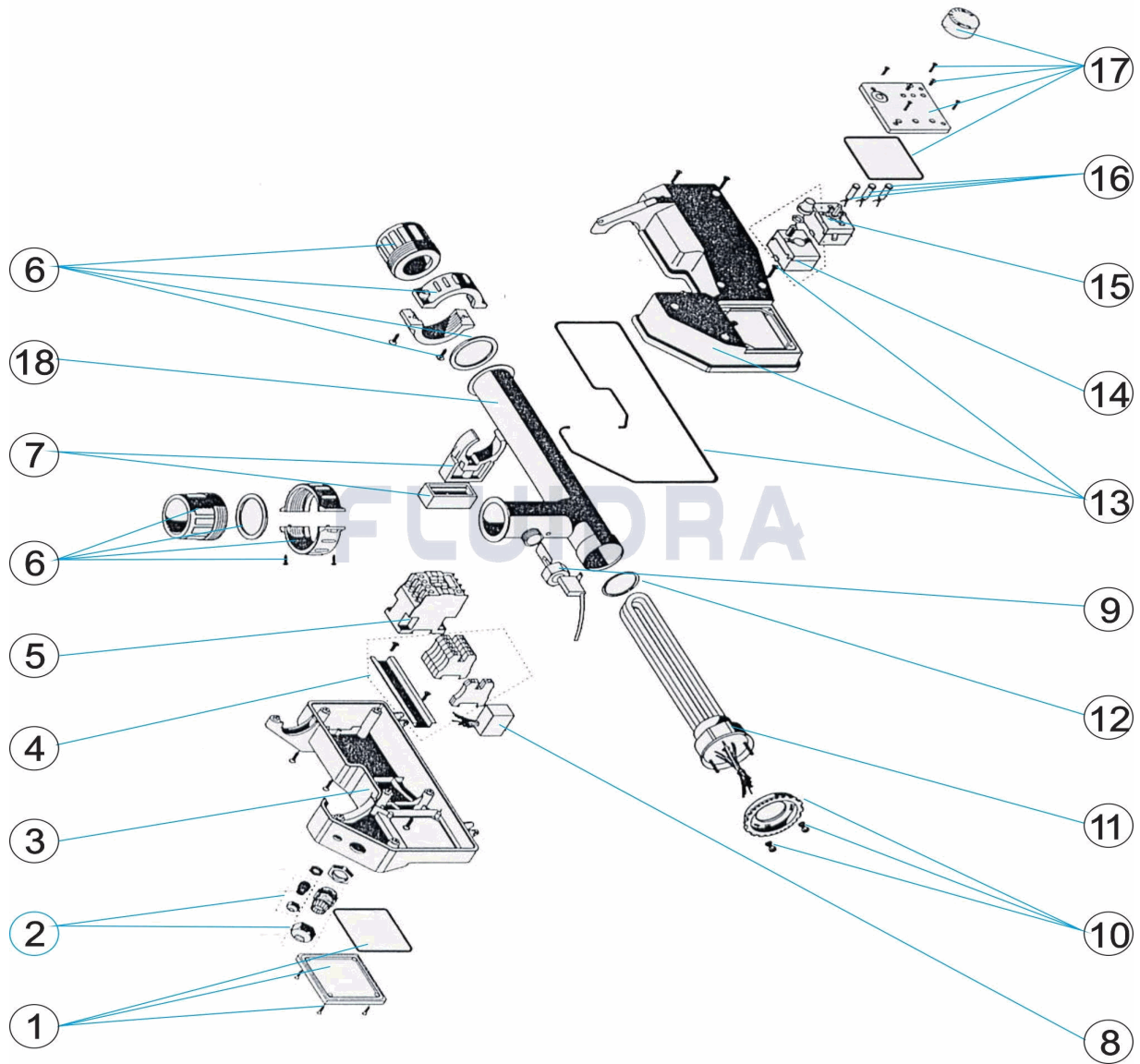


CODIGO **08756, 08757, 08758, 08759, 08760**

DESCRIPCION: **INTERCAMBIADOR DE CALOR**



ESPAÑOL

POS	CODIGO	DESCRIPCION	CANTIDAD	POS	CODIGO	DESCRIPCION	CANTIDAD
1	4407010101	TAPETA INFERIOR INTERCAMBIADOR		11	* 4407010115	RESISTENCIA 9 KW	
2	* 4407010102	PRENSAESTOPAS PG16/PG7		11	* 4407010116	RESISTENCIA 12 KW	
2	* 4407010103	PRENSAESTOPAS PG21/PG7		11	* 4407010117	RESISTENCIA 18 KW	
3	4407010104	CUERPO INFERIOR INTERCAMBIADOR		12	4407010118	JUNTA RESISTENCIA	
4	4407010105	REGLETA CONEXIÓN INTERCAMBIADOR		13	4407010119	CUERPO SUPERIOR	
5	* 4407010106	CONTACTOR 08756		14	4407010121	TERMOSTATO LIMITADOR	
5	* 4407010107	CONTACTOR 08759		15	4407010122	TERMOSTATO DE CONTROL	
6	4407010108	MANGUITO INTERCAMBIADOR		16	4407010123	PILOTOS INTERCAMBIADOR	
7	4407010109	PINZAS INTERCAMBIADOR		17	4407010124	TAPETA SUPERIOR	
8	4407010110	CIRCUITO ANTIRATEO		18	* 08756R0101	CUERPO INOX. (PARA 08756)	
9	4407010111	FLUJOSTATO		18	* 08757R0101	CUERPO INOX. (PARA 08757 Y 08758)	
10	4407010112	ANILLO ADAPTADOR RESISTENCIA		18	* 08759R0101	CUERPO INOX. (PARA 08759)	
11	* 4407010113	RESISTENCIA 3 KW		18	* 08760R0101	CUERPO INOX. (PARA 08760)	

*** NOTA OBSERVACIONES**

CODIGO **08756, 08757, 08758, 08759, 08760**DESCRIPCION: **INTERCAMBIADOR DE CALOR**

11	* 4407010114	RESISTENCIA 6 KW			
----	--------------	------------------	--	--	--

CODIGO **08756, 08757, 08758, 08759, 08760**

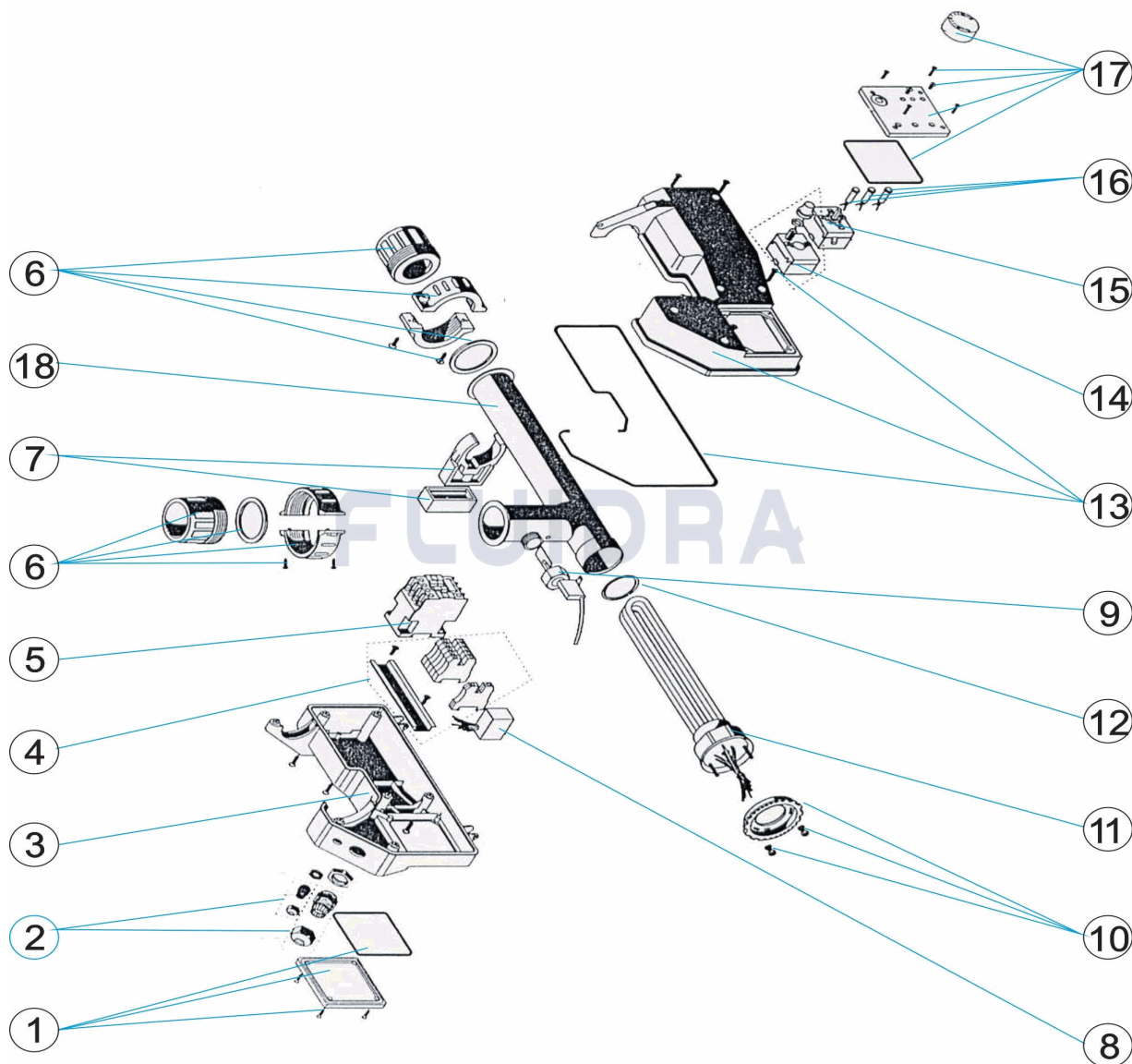
DESCRIPCION: INTERCAMBIADOR DE CALOR

OBSERVACIONES

POS	CODIGO	OBSERVACIONES
2	* 4407010102	PARA: 08756, 08757, 08758
2	* 4407010103	PARA: 08759, 08760
5	* 4407010106	PARA: 08756, 08757, 08758
5	* 4407010107	PARA: 08759, 08760
11	* 4407010113	PARA: 08756
11	* 4407010114	PARA: 08757
11	* 4407010115	PARA: 08758
11	* 4407010116	PARA: 08759
11	* 4407010117	PARA: 08760
18	* 08756R0101	PARA: 08756
18	* 08757R0101	PARA: 08757, 08758
18	* 08759R0101	PARA: 08759
18	* 08760R0101	PARA: 08760

CODE **08756, 08757, 08758, 08759, 08760**

DESCRIPTION: **ÉCHANGEUR DE CHALEUR**



FRANCAIS

POS	CODE	DESCRIPTION	QUANTITE	POS	CODE	DESCRIPTION	QUANTITE
1	4407010101	CACHE INFERIEUR RECHAUFFEUR		11	* 4407010115	RESISTANCE 9 KW	
2	* 4407010102	PRESSE ETOUPE PG16/PG7		11	* 4407010116	RESISTANCE 12 KW	
2	* 4407010103	PRESSE ETOUPE PG21/PG7		11	* 4407010117	RESISTANCE 18 KW	
3	4407010104	CORPS INFERIEUR RECHAUFFEUR		12	4407010118	JOINT RESISTANCE	
4	4407010105	REGLETTE CONNEXION RECHAUFFEUR		13	4407010119	CORPS SUPERIEUR	
5	* 4407010106	CONTACTEUR 08756		14	4407010121	THERMOSTAT LIMITEUR	
5	* 4407010107	CONTACTEUR 08759		15	4407010122	THERMOSTAT DE CONTROL	
6	4407010108	MANCHON RECHAUFFEUR		16	4407010123	VOYANTS RECHAUFFEUR	
7	4407010109	PINCES RECHAUFFEUR		17	4407010124	CACHE SUPERIEUR	
8	4407010110	CIRCUIT DE CONTROL SÉCURITÉ ARS		18	* 08756R0101	CORPS INOX POUR REF 48610	
9	4407010111	CONTROLEUR DE DEBIT		18	* 08757R0101	CORPS INOX POUR REF 48611 ET 48612	
10	4407010112	ANNEAU ADAPTATEUR RESISTANCE		18	* 08759R0101	CORPS INOX POUR REF 48613	
11	* 4407010113	RESISTANCE 3 KW		18	* 08760R0101	CORPS INOX POUR REF 48614	

*** VOIR FICHE D'OBSERVATIONS**

CODE **08756, 08757, 08758, 08759, 08760**

DESCRIPTION: **ÉCHANGEUR DE CHALEUR**

11	* 4407010114	RESISTANCE 6 KW			
----	--------------	-----------------	--	--	--

CODE **08756, 08757, 08758, 08759, 08760**

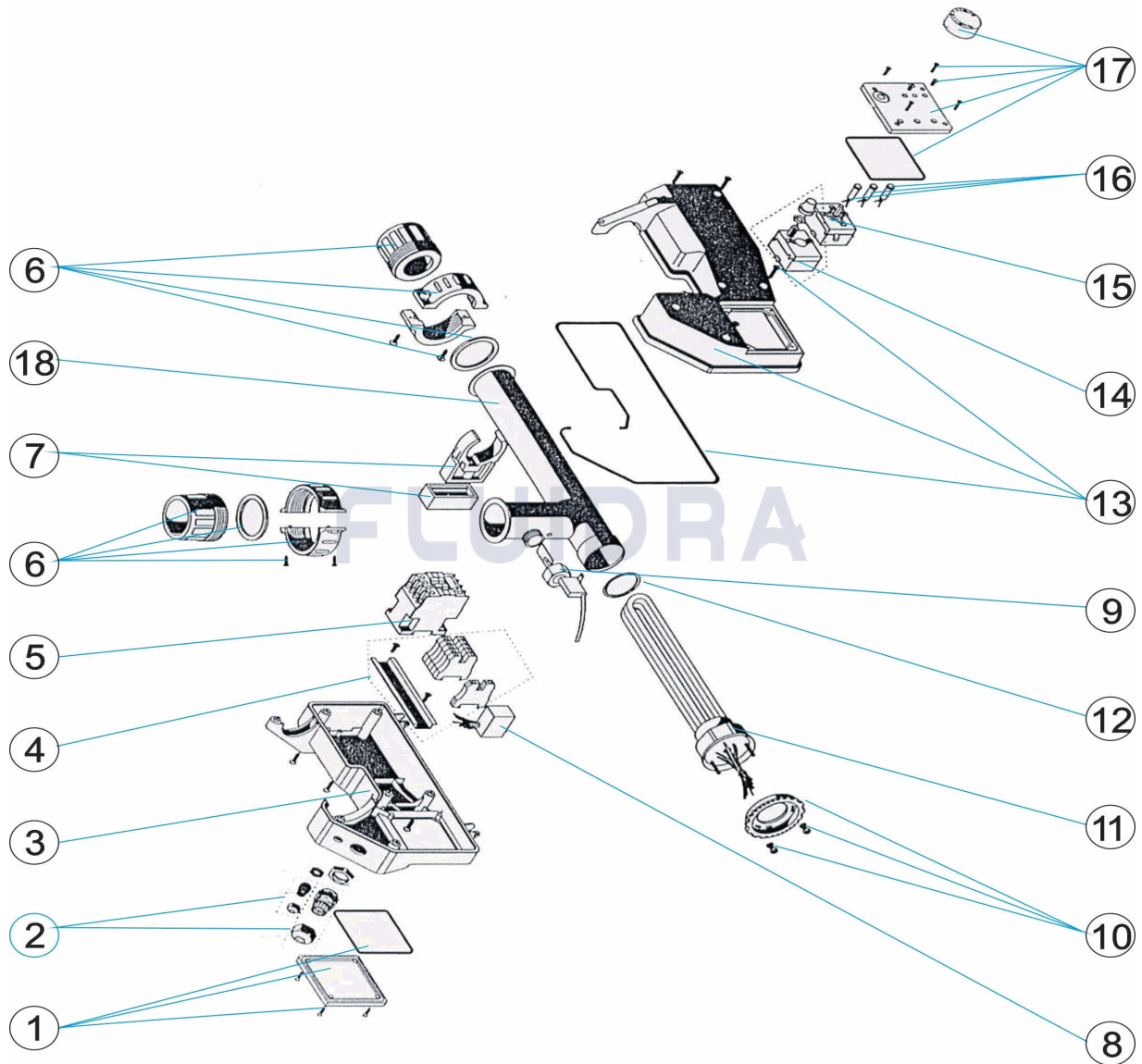
DESCRIPTION: **ÉCHANGEUR DE CHALEUR**

OBSERVATIONS

POS	CODE	OBSERVATIONS
2	* 4407010102	POUR: 08756, 08757, 08758
2	* 4407010103	POUR: 08759, 08760
5	* 4407010106	POUR: 08756, 08757, 08758
5	* 4407010107	POUR: 08759, 08760
11	* 4407010113	POUR: 08756
11	* 4407010114	POUR: 08757
11	* 4407010115	POUR: 08758
11	* 4407010116	POUR: 08759
11	* 4407010117	POUR: 08760
18	* 08756R0101	POUR: 08756
18	* 08757R0101	POUR: 08757, 08758
18	* 08759R0101	POUR: 08759
18	* 08760R0101	POUR: 08760

CODE **08756, 08757, 08758, 08759, 08760**

DESCRIPTION: **HEAT EXCHANGER**



ENGLISH

POS	CODE	DESCRIPTION	QUANTITY	POS	CODE	DESCRIPTION	QUANTITY
1	4407010101	HEAT EXCHANGER BOTTOM COVER		11	* 4407010115	ELEMENT 9 KW	
2	* 4407010102	PACKING GLAND PG16/PG7		11	* 4407010116	ELEMENT 12 KW	
2	* 4407010103	PACKING GLAND PG21/PG7		11	* 4407010117	ELEMENT 18 KW	
3	4407010104	HEAT EXCHANGER LOWER BODY		12	4407010118	ELEMENT SEAL	
4	4407010105	SPACE CONNECTOR		13	4407010119	UPPER BODY	
5	* 4407010106	CONTACTOR 08756		14	4407010121	THERMOSTAT LIMIT	
5	* 4407010107	CONTACTOR 08759		15	4407010122	THERMOSTAT CONTROL	
6	4407010108	HEAT EXCHANGER UNION		16	4407010123	HEAT EXCHANGER PILOT SWITCHES	
7	4407010109	HEAT EXCHANGER BRACKET		17	4407010124	TOP COVER	
8	4407010110	CIRCUIT		18	* 08756R0101	STAINLESS STEEL BODY (FOR 08756)	
9	4407010111	FLOWSWITCH		18	* 08757R0101	STAINLESS STEEL BODY (FOR 08757 AND (
10	4407010112	ELEMENT ADAPTOR RING		18	* 08759R0101	STAINLESS STEEL BODY (FOR 08759)	
11	* 4407010113	ELEMENT 3 KW		18	* 08760R0101	STAINLESS STEEL BODY (FOR 08760)	

CODE **08756, 08757, 08758, 08759, 08760**

DESCRIPTION: **HEAT EXCHANGER**

11	* 4407010114	ELEMENT 6 KW			
----	--------------	--------------	--	--	--

CODE **08756, 08757, 08758, 08759, 08760**

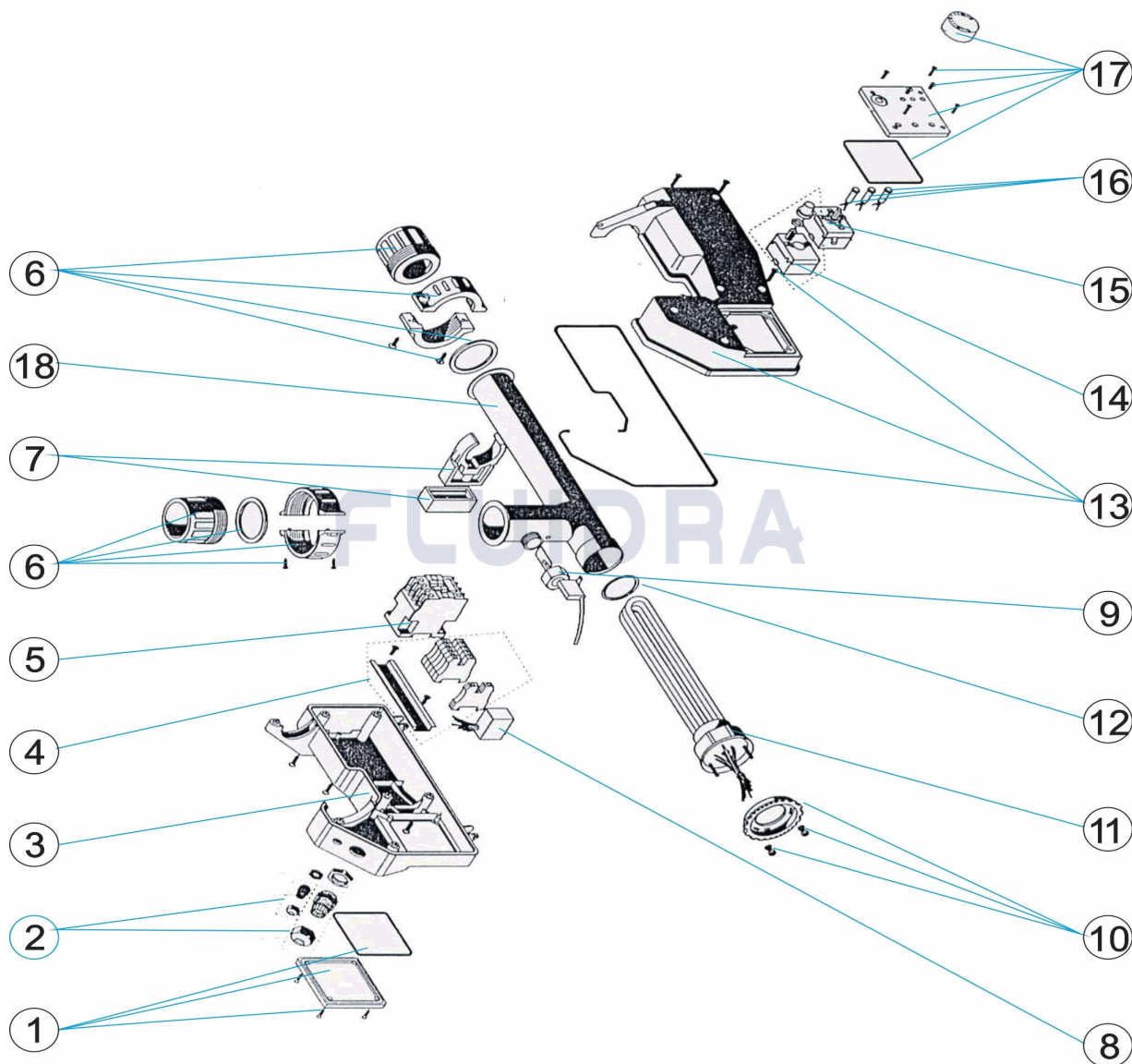
DESCRIPTION: **HEAT EXCHANGER**

OBSERVATIONS

POS	CODE	OBSERVATIONS
2	* 4407010102	FOR: 08756, 08757, 08758
2	* 4407010103	FOR: 08759, 08760
5	* 4407010106	FOR: 08756, 08757, 08758
5	* 4407010107	FOR: 08759, 08760
11	* 4407010113	FOR: 08756
11	* 4407010114	FOR: 08757
11	* 4407010115	FOR: 08758
11	* 4407010116	FOR: 08759
11	* 4407010117	FOR: 08760
18	* 08756R0101	FOR: 08756
18	* 08757R0101	FOR: 08757, 08758
18	* 08759R0101	FOR: 08759
18	* 08760R0101	FOR: 08760

CODICE **08756, 08757, 08758, 08759, 08760**

DESCRIZIONE: **INTERCAMBIATORE DI CALORE**



ITALIANO

POS	CODICE	DESCRIZIONE	QUANTITA'	POS	CODICE	DESCRIZIONE	QUANTITA'
1	4407010101	COPERCHIETTO INFERIORE SCAMBIATOR		11	* 4407010115	RESISTENZA 9 KW	
2	* 4407010102	PRESSACAVO PG16/PG7		11	* 4407010116	RESISTENZA 12 KW	
2	* 4407010103	PRESSACAVO PG21/PG7		11	* 4407010117	RESISTENZA 18 KW	
3	4407010104	CORPO INFERIORE SCAMBIATORE CALOF		12	4407010118	GUARNIZIONE RESISTENZA	
4	4407010105	CONNESSIONE SCAMBIATORE CALORE		13	4407010119	CORPO SUPERIORE	
5	* 4407010106	TELERUTTORE 08756		14	4407010121	TERMOSTATO SICUREZZA	
5	* 4407010107	TELERUTTORE 08759		15	4407010122	TERMOSTATO DI CONTROLLO	
6	4407010108	MANICOTTO		16	4407010123	PILOTA SCAMBIATORE	
7	4407010109	PINZA SCAMBIATORE		17	4407010124	COPERCHIO SUPERIORE	
8	4407010110	CIRCUITO ARS		18	* 08756R0101	CORPO INOX (PER 08756)	
9	4407010111	FLUSSOSTATO		18	* 08757R0101	CORPO INOX (PER 08757 E 08758)	
10	4407010112	ANELLO ADATTATORE RESISTENZA		18	* 08759R0101	CORPO INOX (PER 08759)	
11	* 4407010113	RESISTENZA 3 KW		18	* 08760R0101	CORPO INOX (PER 08760)	

*** SI FACCIA RIFERIMENTO AL FOGLIO DELLE OSSERVAZIONI**

CODICE **08756, 08757, 08758, 08759, 08760**

DESCRIZIONE: **INTERCAMBIATORE DI CALORE**

11	* 4407010114	RESISTENZA 6 KW			
----	--------------	-----------------	--	--	--

CODICE **08756, 08757, 08758, 08759, 08760**

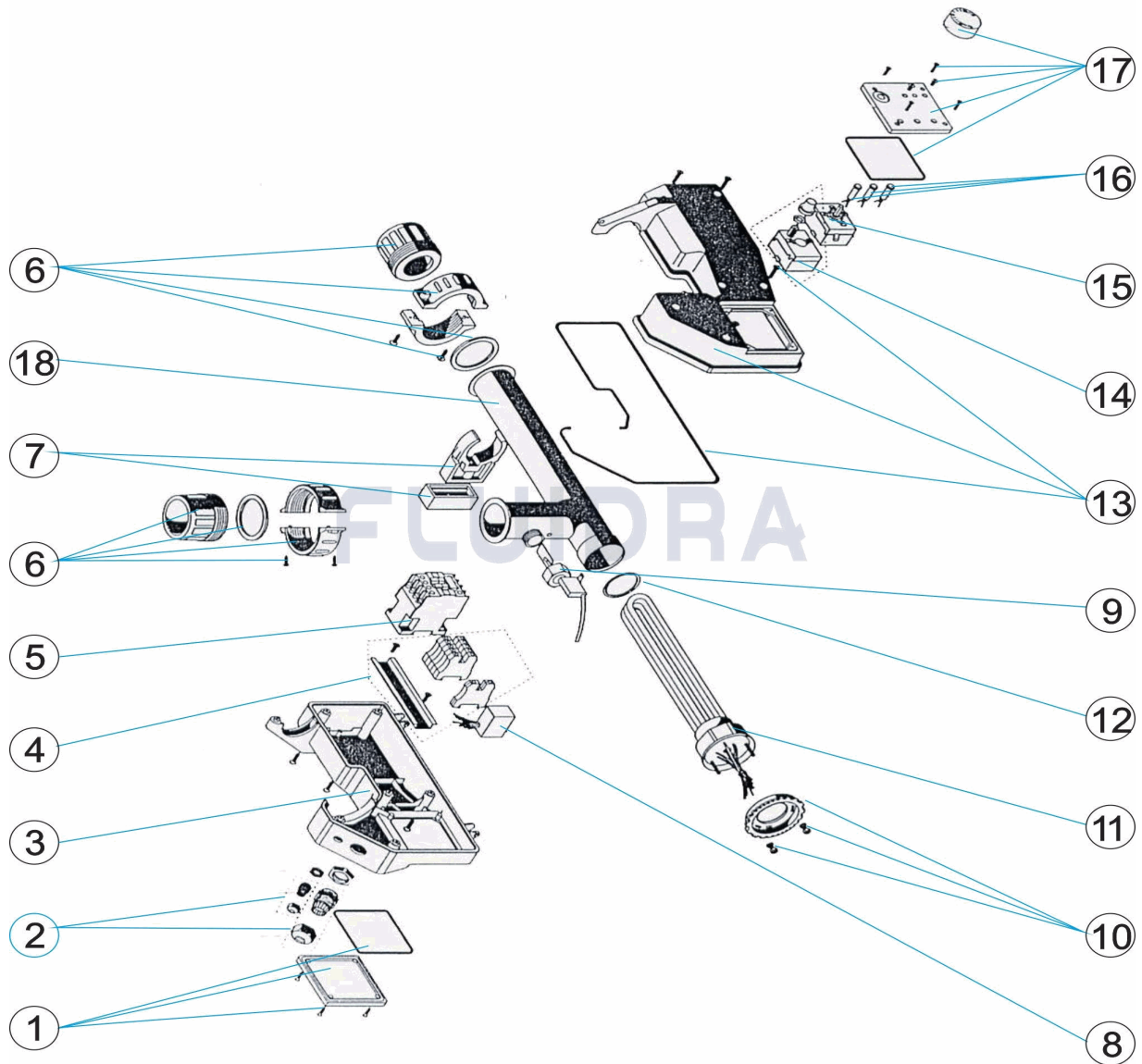
DESCRIZIONE: **INTERCAMBIATORE DI CALORE**

OSSERVAZIONI

POS	CODICE	OSSERVAZIONI
2	* 4407010102	PER: 08756, 08757, 08758
2	* 4407010103	PER: 08759, 08760
5	* 4407010106	PER: 08756, 08757, 08758
5	* 4407010107	PER: 08759, 08760
11	* 4407010113	PER: 08756
11	* 4407010114	PER: 08757
11	* 4407010115	PER: 08758
11	* 4407010116	PER: 08759
11	* 4407010117	PER: 08760
18	* 08756R0101	PER: 08756
18	* 08757R0101	PER: 08757, 08758
18	* 08759R0101	PER: 08759
18	* 08760R0101	PER: 08760

CODE **08756, 08757, 08758, 08759, 08760**

BESCHREIBUNG: **WÄRMEAUSTAUSACHER**



DEUTSCH

POS	CODE	BESCHREIBUNG	MENGE	POS	CODE	BESCHREIBUNG	MENGE
1	4407010101	ABSCHLUSSPLATTE UNTEN WÄRMEÜBER		11	* 4407010115	HEIZSTAB 9 KW	
2	* 4407010102	QUETSCHVERSCHRAUBUNG PG16/PG7		11	* 4407010116	HEIZSTAB 12 KW	
2	* 4407010103	QUETSCHVERSCHRAUBUNG PG21/PG7		11	* 4407010117	HEIZSTAB 18 KW	
3	4407010104	UNTERES GEHÄUSE WÄRMEÜBERTRAGE		12	4407010118	DICHTUNG HEIZSTAB	
4	4407010105	KLEMMLEISTE WÄRMEÜBERTRAGER		13	4407010119	OBERES GEHÄUSE	
5	* 4407010106	SCHÜTZ 08756		14	4407010121	TEMPERATURBEGRENZER	
5	* 4407010107	SCHÜTZ 08759		15	4407010122	TERMOSTAT STEUERUNG	
6	4407010108	NIPPEL WÄRMEÜBERTRAGER		16	4407010123	PILOTEN WÄRMEÜBERTRAGER	
7	4407010109	KEMMEN WÄRMEÜBERTRAGER		17	4407010124	ABSCHLUSSPLATTE OBEN	
8	4407010110	SCHUTZSCHALTER		18	* 08756R0101	EDELSTAHLCHRANK (FÜR 08756)	
9	4407010111	DURCHFLUSSMESSER		18	* 08757R0101	EDELSTAHLCHRANK: (FÜR 08757 UND 08	
10	4407010112	ADAPTERRING HEIZSTAB		18	* 08759R0101	EDELSTAHLCHRANK (FÜR 08759)	
11	* 4407010113	HEIZSTAB 3 KW		18	* 08760R0101	EDELSTAHLCHRANK (FÜR 08760)	

* SIEHE ANMERKUGSBLATT

CODE **08756, 08757, 08758, 08759, 08760**

BESCHREIBUNG: **WÄRMEAUSTAUSCHER**

11	* 4407010114	HEIZSTAB 6 KW			
----	--------------	---------------	--	--	--

CODE **08756, 08757, 08758, 08759, 08760**

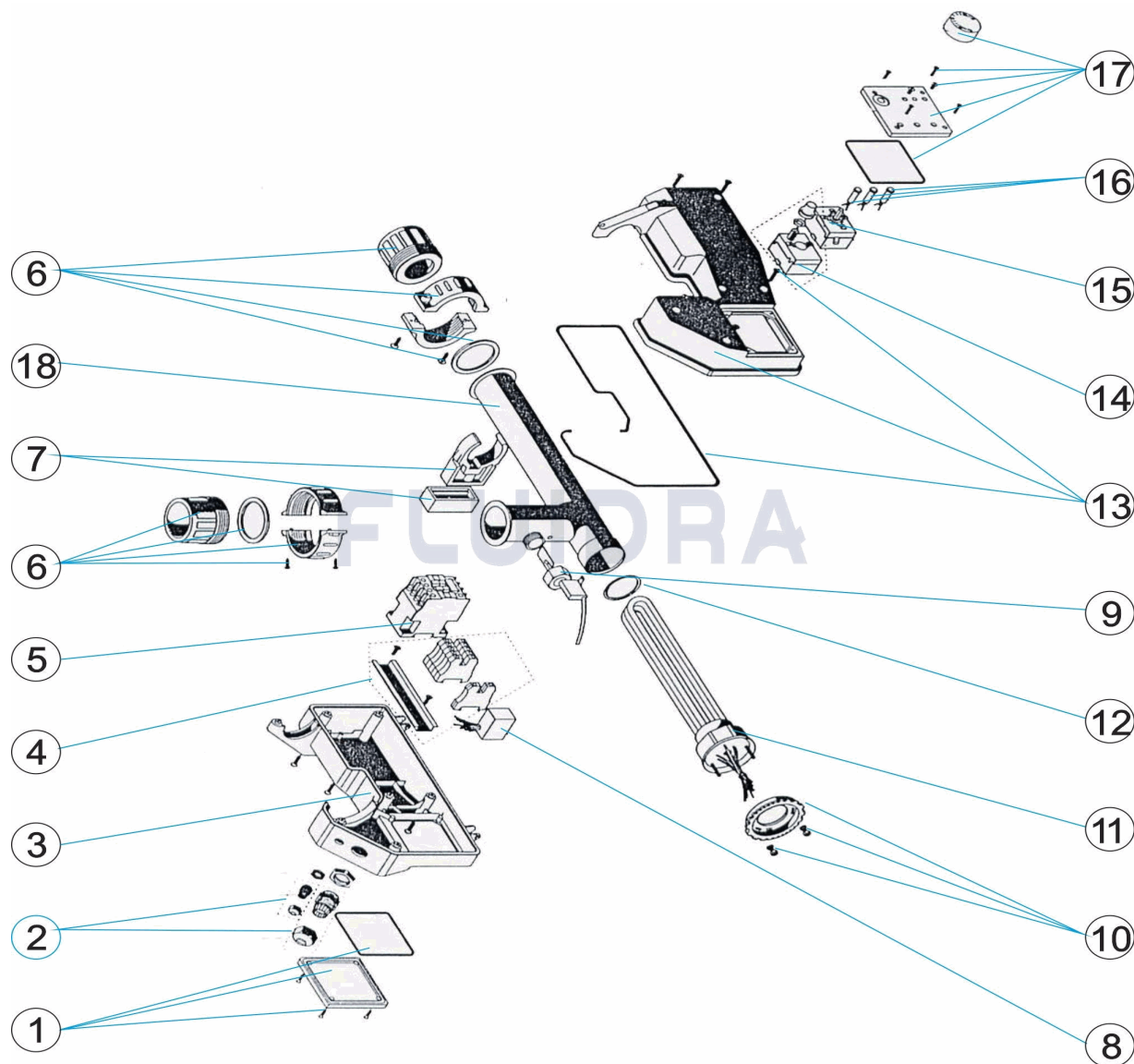
BESCHREIBUNG: **WÄRMEAUSTAUSACHER**

HINWEISE

POS	CODE	HINWEISE
2	* 4407010102	FÜR: 08756, 08757, 08758
2	* 4407010103	FÜR: 08759, 08760
5	* 4407010106	FÜR: 08756, 08757, 08758
5	* 4407010107	FÜR: 08759, 08760
11	* 4407010113	FÜR: 08756
11	* 4407010114	FÜR: 08757
11	* 4407010115	FÜR: 08758
11	* 4407010116	FÜR: 08759
11	* 4407010117	FÜR: 08760
18	* 08756R0101	FÜR: 08756
18	* 08757R0101	FÜR: 08757, 08758
18	* 08759R0101	FÜR: 08759
18	* 08760R0101	FÜR: 08760

CODIGO **08756, 08757, 08758, 08759, 08760**

DESCRIÇÃO: **TUBO DE CALOR**



PORTUGUES

POS	CODIGO	DESCRIÇÃO	JANTIDADE	POS	CODIGO	DESCRIÇÃO	JANTIDADE
1	4407010101	TAMPA INFERIOR INTERCAMBIADOR		11	* 4407010115	RESISTÊNCIA 9 KW	
2	* 4407010102	BUCIN PG16/PG7		11	* 4407010116	RESISTÊNCIA 12 KW	
2	* 4407010103	BUCIN PG21/PG7		11	* 4407010117	RESISTÊNCIA 18 KW	
3	4407010104	CORPO INFERIOR PERMUTADOR		12	4407010118	JUNTA RESISTENCIA	
4	4407010105	CALHA LIGAÇÃO PERMUTADOR		13	4407010119	CORPO SUPERIOR	
5	* 4407010106	CONTACTOR 08756		14	4407010121	TERMOSTATO LIMITADOR	
5	* 4407010107	CONTACTOR 08759		15	4407010122	TERMOSTATO DE CONTROLO	
6	4407010108	UNIÃO LIGAÇÃO PERMUTADOR		16	4407010123	LEDS	
7	4407010109	ABRÇADEIRA INTERCAMBIADOR		17	4407010124	TAMPA SUPERIOR	
8	4407010110	CIRCUITO		18	* 08756R0101	CORPO INOX. (PARA 08756)	
9	4407010111	FLUXO-ESTATO		18	* 08757R0101	CORPO INOX: (PARA 08757 E 08758)	
10	4407010112	ANEL ADAPTADOR RESISTÊNCIA		18	* 08759R0101	CORPO INOX. (PARA 08759)	
11	* 4407010113	RESISTÊNCIA 3 KW		18	* 08760R0101	CORPO INOX. (PARA 08760)	

*** VEJA A FICHA DE OBSERVAÇÕES**

CODIGO 08756, 08757, 08758, 08759, 08760

DESCRIÇÃO: TUBO DE CALOR

11	* 4407010114	RESISTÊNCIA 6 KW			
----	--------------	------------------	--	--	--

CODIGO 08756, 08757, 08758, 08759, 08760

DESCRIÇÃO: TUBO DE CALOR

OBSERVAÇÕES

POS	CODIGO	OBSERVAÇÕES
2	* 4407010102	PARA: 08756, 08757, 08758
2	* 4407010103	PARA: 08759, 08760
5	* 4407010106	PARA: 08756, 08757, 08758
5	* 4407010107	PARA: 08759, 08760
11	* 4407010113	PARA: 08756
11	* 4407010114	PARA: 08757
11	* 4407010115	PARA: 08758
11	* 4407010116	PARA: 08759
11	* 4407010117	PARA: 08760
18	* 08756R0101	PARA: 08756
18	* 08757R0101	PARA: 08757, 08758
18	* 08759R0101	PARA: 08759
18	* 08760R0101	PARA: 08760