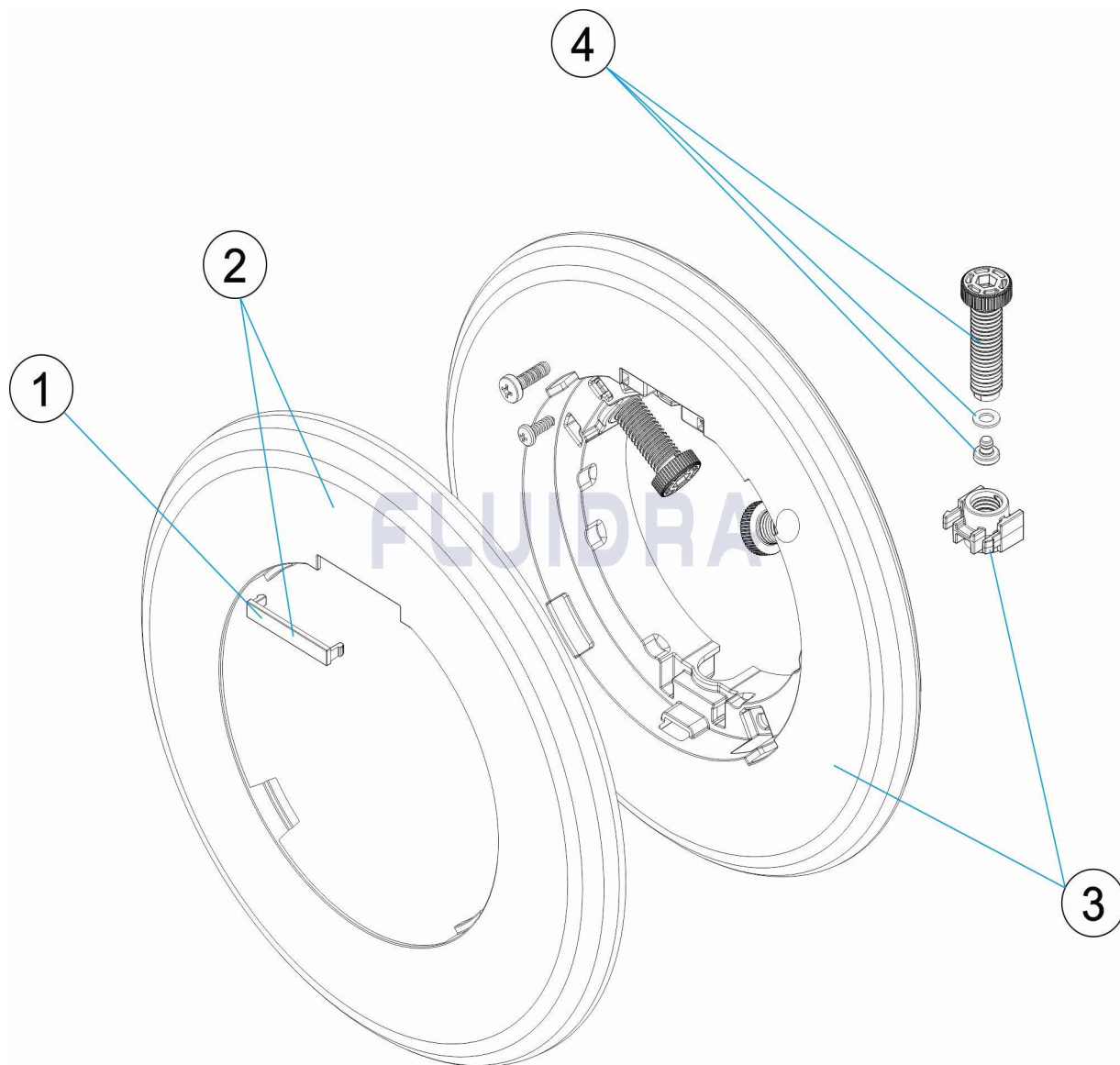


CODIGO 71209IP41, 71209IP41CL090, 71209IP41CL129, 71209IP41CL144

DESCRIPCION: EMBELLECEDOR FLEXINICHE



**ESPAÑOL**

POS	CODIGO	DESCRIPCION	CANTIDAD	POS	CODIGO	DESCRIPCION	CANTIDAD
1	* 4403010087	TAPETA EMBELLECEDORA PURE WHITE		2	* 4403010167	EMBELLECEDOR FLEXINICHE	
1	* 4403010119	TAPETA EMBELLECEDORA		2	* 4403010168	EMBELLECEDOR FLEXINICHE	
1	* 4403010120	TAPETA EMBELLECEDORA		2	* 4403010169	EMBELLECEDOR FLEXINICHE	
1	* 4403010121	TAPETA EMBELLECEDORA		3	4403010170	FIJACIÓN FLEXINICHE	
2	* 4403010166	EMBELLECEDOR FLEXINICHE		4	4403010127	TORNILLERIA FIJACION FLEXINICHE	

**CODIGO 71209IP41, 71209IP41CL090, 71209IP41CL129, 71209IP41CL144**

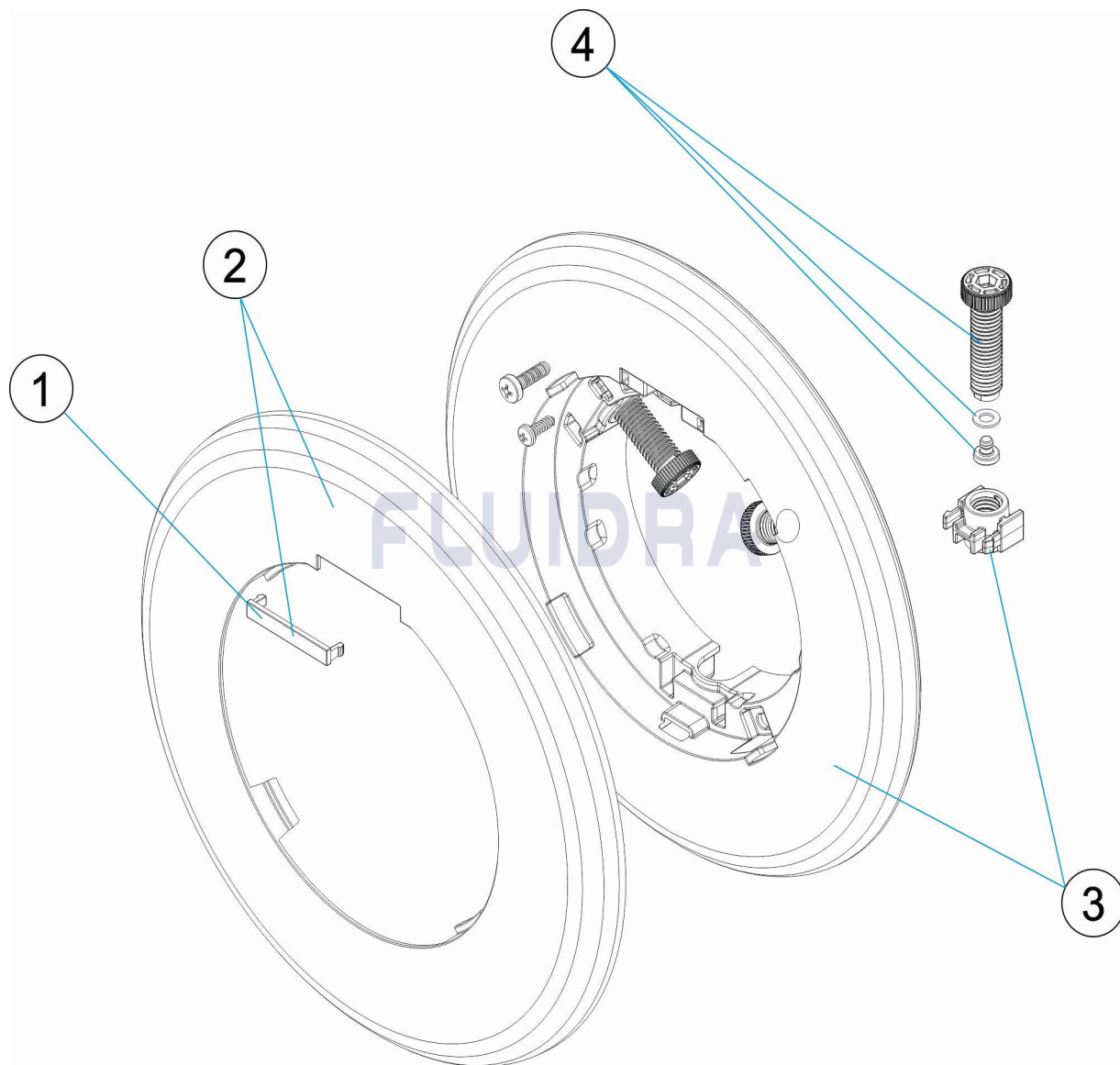
**DESCRIPCION: EMBELLECEDOR FLEXINICHE**

## OBSERVACIONES

POS	CODIGO	OBSERVACIONES
1	* 4403010087	PARA: 71209IP41 WHITE
1	* 4403010119	PARA: 71209IP41CL090 BEIGE
1	* 4403010120	PARA: 71209IP41CL129 GREY
1	* 4403010121	PARA: 71209IP41CL144 ANTHRACITE
2	* 4403010166	PARA: 71209IP41 WHITE
2	* 4403010167	PARA: 71209IP41CL090 BEIGE
2	* 4403010168	PARA: 71209IP41CL129 GREY
2	* 4403010169	PARA: 71209IP41CL144 ANTHRACITE

CODE 71209IP41, 71209IP41CL090, 71209IP41CL129, 71209IP41CL144

DESCRIPTION: ENJOLIVEUR FLEXINICHE



**FRANCAIS**

POS	CODE	DESCRIPTION	QUANTITE	POS	CODE	DESCRIPTION	QUANTITE
1	* 4403010087	ENJOLIVEUR PURE WHITE		2	* 4403010167	ENJOLIVEUR FLEXINICHE	
1	* 4403010119	ENJOLIVEUR		2	* 4403010168	ENJOLIVEUR FLEXINICHE	
1	* 4403010120	ENJOLIVEUR		2	* 4403010169	ENJOLIVEUR FLEXINICHE	
1	* 4403010121	ENJOLIVEUR		3	4403010170	FIXATION FLEXINICHE	
2	* 4403010166	ENJOLIVEUR FLEXINICHE		4	4403010127	VISSERIE FIXATION FLEXINICHE	

CODE **71209IP41, 71209IP41CL090, 71209IP41CL129, 71209IP41CL144**

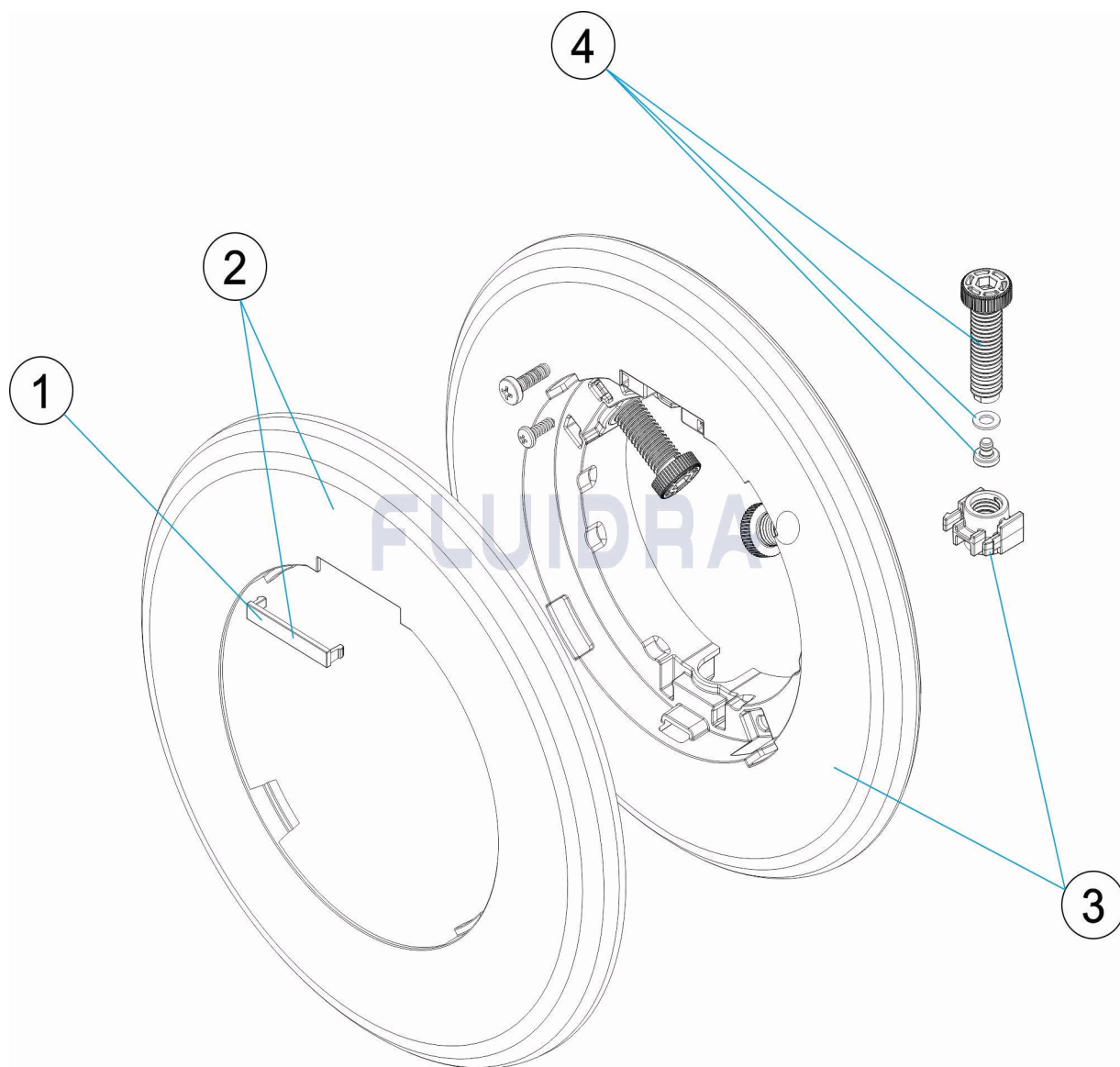
DESCRIPTION: **ENJOLIVEUR FLEXINICHE**

## OBSERVATIONS

POS	CODE	OBSERVATIONS
1	* 4403010087	POUR: 71209IP41 WHITE
1	* 4403010119	POUR: 71209IP41CL090 BEIGE
1	* 4403010120	POUR: 71209IP41CL129 GREY
1	* 4403010121	POUR: 71209IP41CL144 ANTHRACITE
2	* 4403010166	POUR: 71209IP41 WHITE
2	* 4403010167	POUR: 71209IP41CL090 BEIGE
2	* 4403010168	POUR: 71209IP41CL129 GREY
2	* 4403010169	POUR: 71209IP41CL144 ANTHRACITE

CODE 71209IP41, 71209IP41CL090, 71209IP41CL129, 71209IP41CL144

DESCRIPTION: FLEXINICHE LIGHT COVER



**ENGLISH**

POS	CODE	DESCRIPTION	QUANTITY	POS	CODE	DESCRIPTION	QUANTITY
1	* 4403010087	ESCUTCHEON PURE WHITE		2	* 4403010167	FLEXINICHE FACEPLATE	
1	* 4403010119	ESCUTCHEON		2	* 4403010168	FLEXINICHE FACEPLATE	
1	* 4403010120	ESCUTCHEON		2	* 4403010169	FLEXINICHE FACEPLATE	
1	* 4403010121	ESCUTCHEON		3	4403010170	FLEXINICHE FIXING	
2	* 4403010166	FLEXINICHE FACEPLATE		4	4403010127	SCREWS FOR FIXING FLEXINICHE	

CODE **71209IP41, 71209IP41CL090, 71209IP41CL129, 71209IP41CL144**

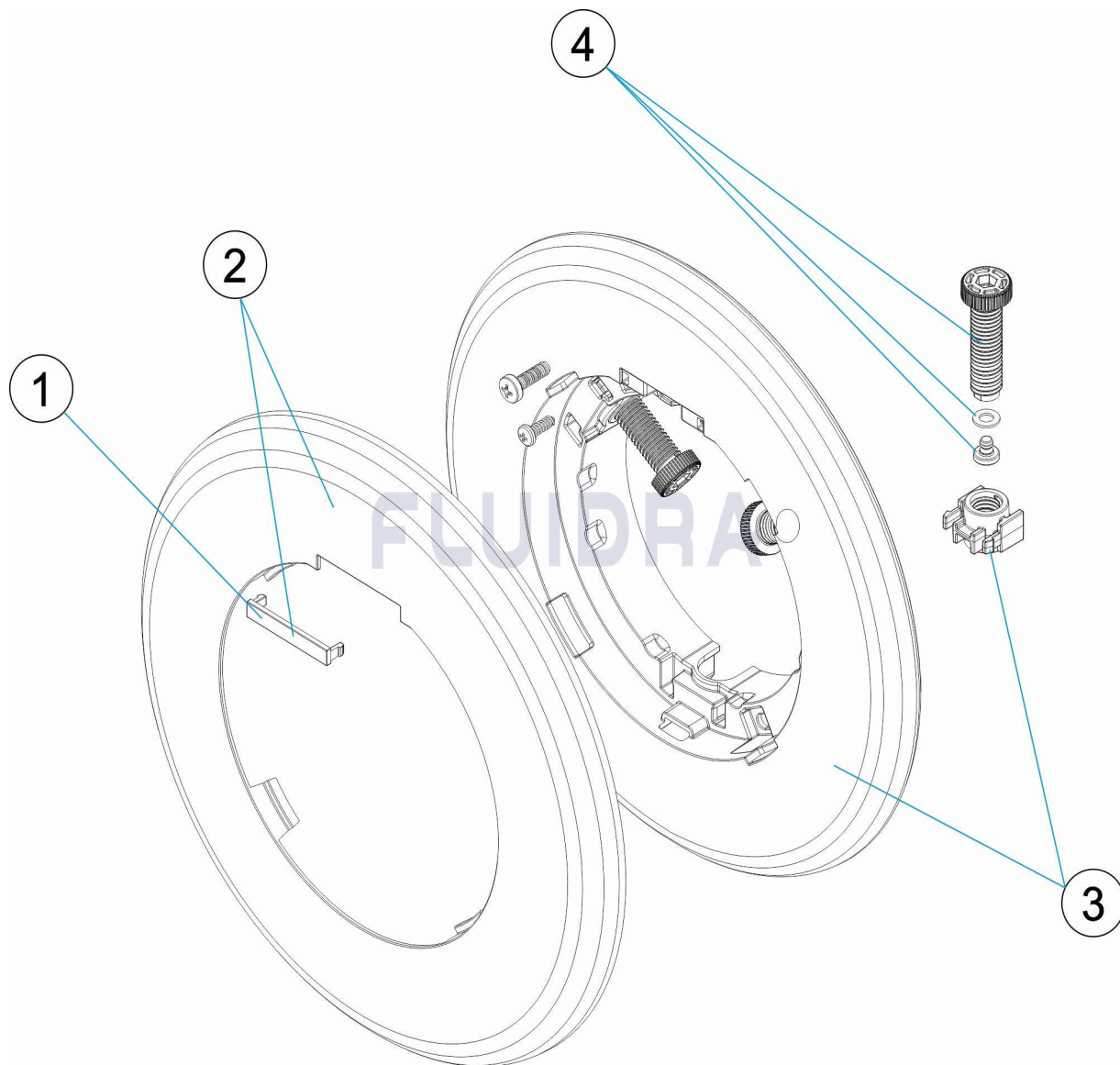
DESCRIPTION: **FLEXINICHE LIGHT COVER**

## OBSERVATIONS

POS	CODE	OBSERVATIONS
1	* 4403010087	FOR: 71209IP41 WHITE
1	* 4403010119	FOR: 71209IP41CL090 BEIGE
1	* 4403010120	FOR: 71209IP41CL129 GREY
1	* 4403010121	FOR: 71209IP41CL144 ANTHRACITE
2	* 4403010166	FOR: 71209IP41 WHITE
2	* 4403010167	FOR: 71209IP41CL090 BEIGE
2	* 4403010168	FOR: 71209IP41CL129 GREY
2	* 4403010169	FOR: 71209IP41CL144 ANTHRACITE

CODICE 71209IP41, 71209IP41CL090, 71209IP41CL129, 71209IP41CL144

DESCRIZIONE: PROIETTORE PLACCA FLEXINICHE



**ITALIANO**

POS	CODICE	DESCRIZIONE	QUANTITA'	POS	CODICE	DESCRIZIONE	QUANTITA'
1	* 4403010087	COPRIFLANGIA PURE WHITE		2	* 4403010167	ANELLO FRONTALE FLEXINICHE	
1	* 4403010119	COPRIFLANGIA		2	* 4403010168	ANELLO FRONTALE FLEXINICHE	
1	* 4403010120	COPRIFLANGIA		2	* 4403010169	ANELLO FRONTALE FLEXINICHE	
1	* 4403010121	COPRIFLANGIA		3	4403010170	FISSAGGIO FLEXINICHE	
2	* 4403010166	ANELLO FRONTALE FLEXINICHE		4	4403010127	ELEMENTI DI FISSAGGIO FLEXINICHE	

CODICE **71209IP41, 71209IP41CL090, 71209IP41CL129, 71209IP41CL144**

DESCRIZIONE: **PROIETTORE PLACCA FLEXINICHE**

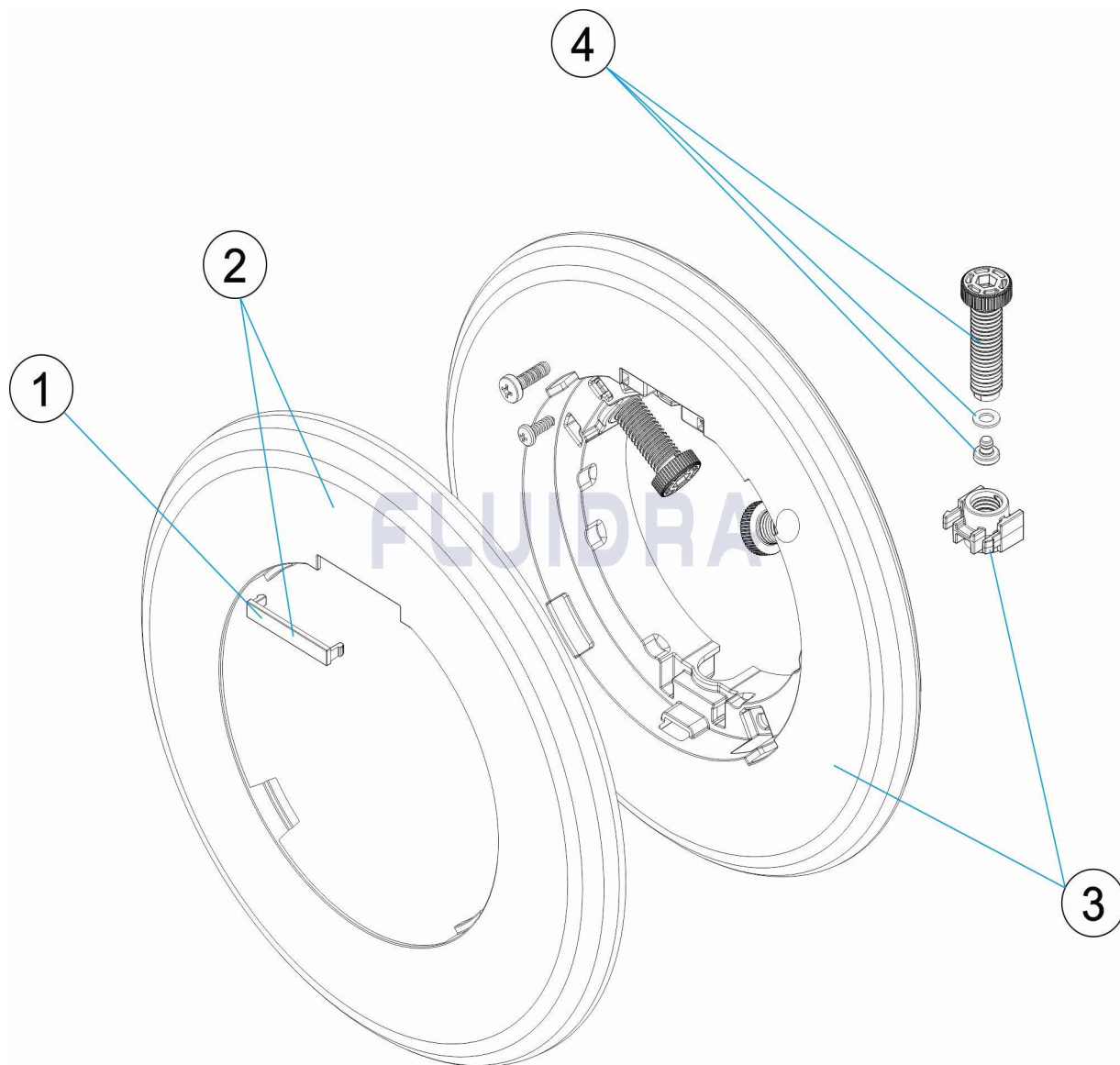
## OSSERVAZIONI

POS	CODICE	OSSERVAZIONI
1	* 4403010087	PER: 71209IP41 WHITE
1	* 4403010119	PER: 71209IP41CL090 BEIGE
1	* 4403010120	PER: 71209IP41CL129 GREY
1	* 4403010121	PER: 71209IP41CL144 ANTHRACITE
2	* 4403010166	PER: 71209IP41 WHITE
2	* 4403010167	PER: 71209IP41CL090 BEIGE
2	* 4403010168	PER: 71209IP41CL129 GREY
2	* 4403010169	PER: 71209IP41CL144 ANTHRACITE



CODE 71209IP41, 71209IP41CL090, 71209IP41CL129, 71209IP41CL144

BESCHREIBUNG: UWS BLENDE FLEXINICHE



**DEUTSCH**

POS	CODE	BESCHREIBUNG	MENGE	POS	CODE	BESCHREIBUNG	MENGE
1	* 4403010087	DEKO-ABSCHLUSS PURE WHITE		2	* 4403010167	BLLENDE FLEXINICHE	
1	* 4403010119	DEKO-ABSCHLUSS		2	* 4403010168	BLLENDE FLEXINICHE	
1	* 4403010120	DEKO-ABSCHLUSS		2	* 4403010169	BLLENDE FLEXINICHE	
1	* 4403010121	DEKO-ABSCHLUSS		3	4403010170	FIXIE FLEXINICHE	
2	* 4403010166	BLLENDE FLEXINICHE		4	4403010127	FIXIERSCHRAUBEN FLEXINICHE	

CODE **71209IP41, 71209IP41CL090, 71209IP41CL129, 71209IP41CL144**

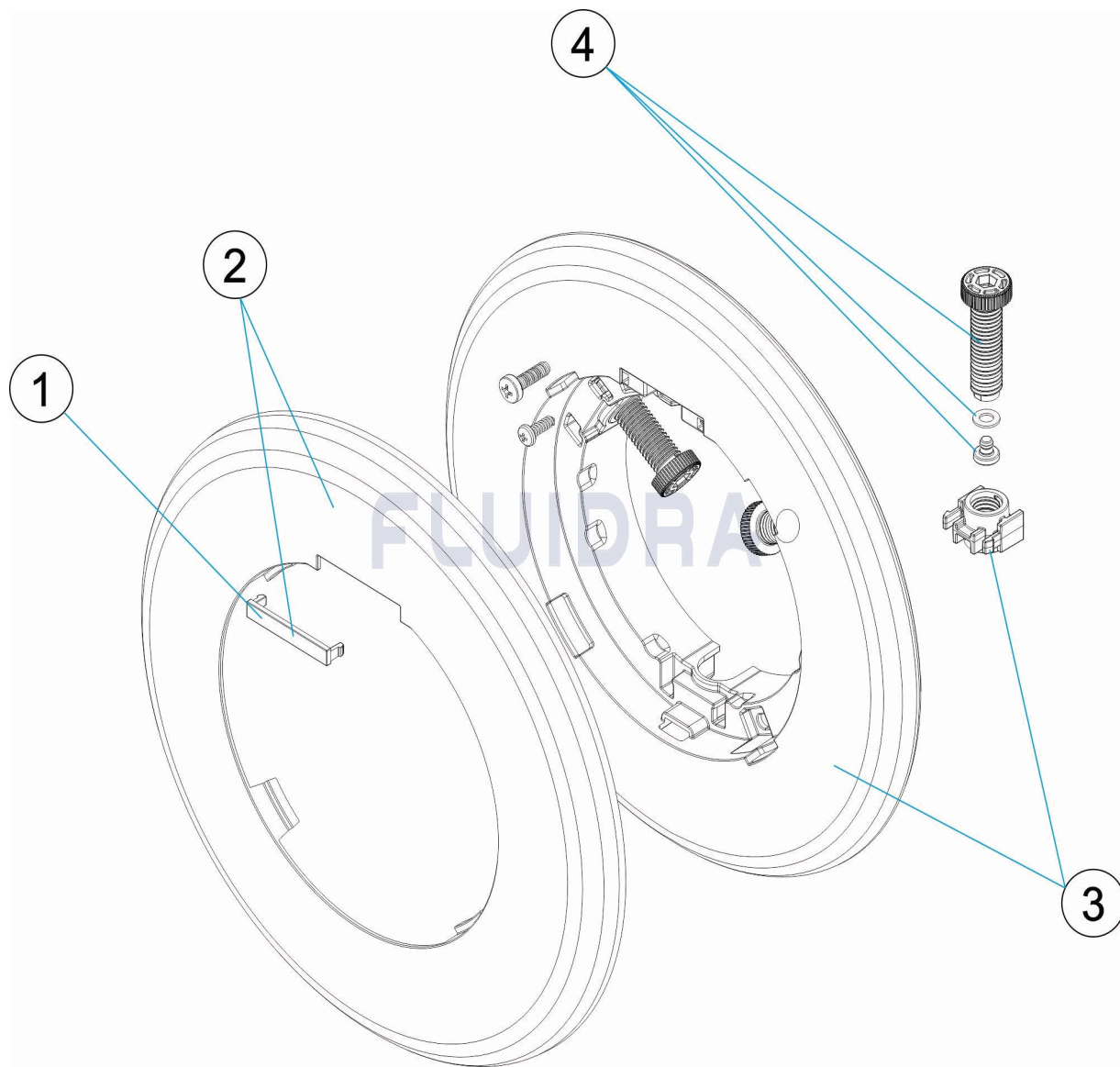
BESCHREIBUNG: **UWS BLENDE FLEXINICHE**

## HINWEISE

POS	CODE	HINWEISE
1	* 4403010087	FÜR: 71209IP41 WHITE
1	* 4403010119	FÜR: 71209IP41CL090 BEIGE
1	* 4403010120	FÜR: 71209IP41CL129 GREY
1	* 4403010121	FÜR: 71209IP41CL144 ANTHRACITE
2	* 4403010166	FÜR: 71209IP41 WHITE
2	* 4403010167	FÜR: 71209IP41CL090 BEIGE
2	* 4403010168	FÜR: 71209IP41CL129 GREY
2	* 4403010169	FÜR: 71209IP41CL144 ANTHRACITE

CODIGO 71209IP41, 71209IP41CL090, 71209IP41CL129, 71209IP41CL144

DESCRIÇÃO: PROJECTOR PLACA DECORATIVA FLEXINICHE



**PORTUGUES**

POS	CODIGO	DESCRIÇÃO	JANTIDADE	POS	CODIGO	DESCRIÇÃO	JANTIDADE
1	* 4403010087	TAMPA EMBELEZADORA PURE WHITE		2	* 4403010167	EMBELEZADOR FLEXINICHE	
1	* 4403010119	TAMPA EMBELEZADORA		2	* 4403010168	EMBELEZADOR FLEXINICHE	
1	* 4403010120	TAMPA EMBELEZADORA		2	* 4403010169	EMBELEZADOR FLEXINICHE	
1	* 4403010121	TAMPA EMBELEZADORA		3	4403010170	FIXAÇÃO FLEXINICHE	
2	* 4403010166	EMBELEZADOR FLEXINICHE		4	4403010127	PORCAS E PARAFUSOS FIXAÇÃO FLEXINIC	

**CODIGO 71209IP41, 71209IP41CL090, 71209IP41CL129, 71209IP41CL144**

**DESCRIÇÃO: PROJECTOR PLACA DECORATIVA FLEXINICHE**

## OBSERVAÇÕES

POS	CODIGO	OBSERVAÇÕES
1	* 4403010087	PARA: 71209IP41 WHITE
1	* 4403010119	PARA: 71209IP41CL090 BEIGE
1	* 4403010120	PARA: 71209IP41CL129 GREY
1	* 4403010121	PARA: 71209IP41CL144 ANTHRACITE
2	* 4403010166	PARA: 71209IP41 WHITE
2	* 4403010167	PARA: 71209IP41CL090 BEIGE
2	* 4403010168	PARA: 71209IP41CL129 GREY
2	* 4403010169	PARA: 71209IP41CL144 ANTHRACITE