

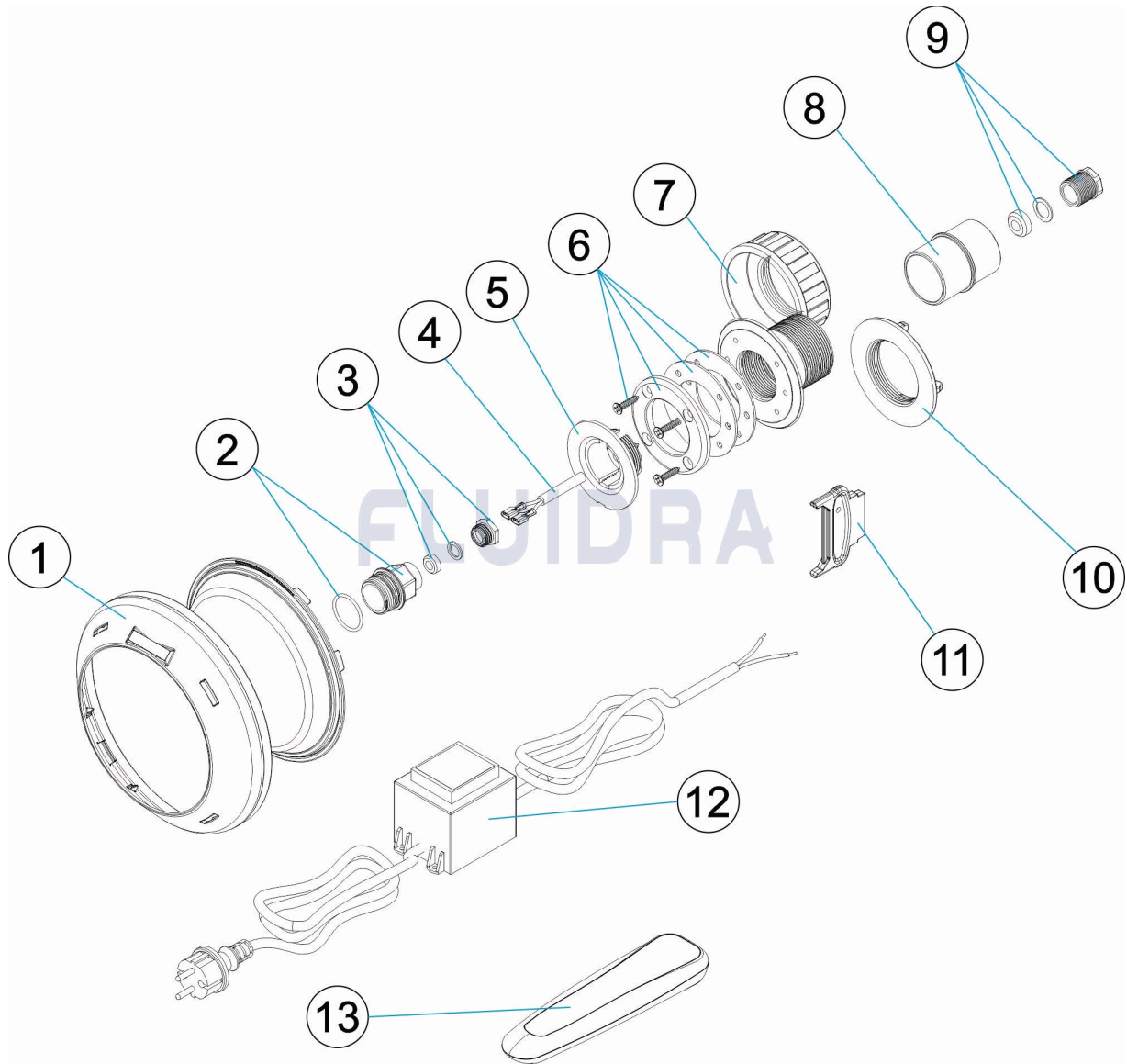
DESPIECE

REV: 0
FECHA: 26/04/2021
HOJA: 1/2

1416

CODIGO 65314IP10, 65315IP10, 71631IP10

DESCRIPCION: PROYECTOR LUMIPLUS RAPID



ESPAÑOL

POS	CODIGO	DESCRIPCION	CANTIDAD	POS	CODIGO	DESCRIPCION	CANTIDAD
1	4403010079	EMBELLECEDOR LP RAPID		8	4403010171	PRENSAESTOPAS M-25	
2	4403010064	CAPUCHON CONEXION		9	4403014001	PRENSAESTOPAS FOCO PROYECTOR LED	
3	4403010076	CJTO. TAPON PRENSAESTOPAS		10	4402041701	TUERCA FIJACION CON JUNTA	
4	4403010065	CABLE LUMIPLUS MINI		11	4403010060	LLAVE BOQUILLA	
5	4403010063	ADAPTADOR ROSCA 1 1/2"		12	* 4411040107	CABLE PROYECTOR PISC. ELEV. 75W	
6	4402042102	ARO BOQUILLA P. PREF.		13	* 59125	MANDO A DISTANCIA	
7	4402042101	TUERCA BOQUILLA					

* NOTA OBSERVACIONES

DESPIECE

REV: 0

1416

FECHA: 26/04/2021

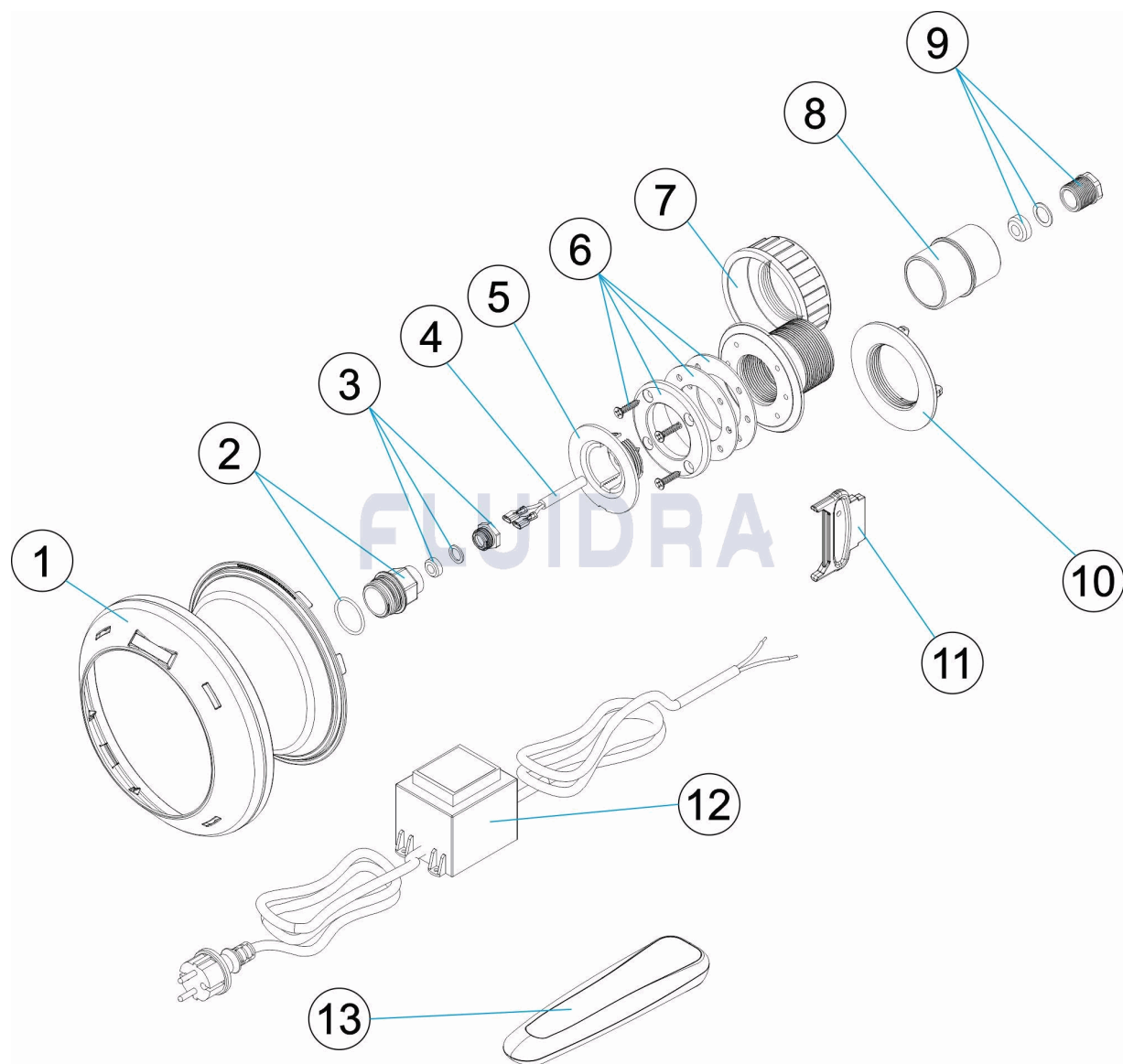
HOJA: 2/2

CODIGO **65314IP10, 65315IP10, 71631IP10**DESCRIPCION: **PROYECTOR LUMIPLUS RAPID**

OBSERVACIONES

POS	CODIGO	OBSERVACIONES
12	* 4411040107	PARA: 71631IP10
13	* 59125	PARA: 65315IP10

CODE **65314IP10, 65315IP10, 71631IP10**

 DESCRIPTION: **PROJECTEUR LUMIPLUS RAPID**

FRANCAIS

POS	CODE	DESCRIPTION	QUANTITE	POS	CODE	DESCRIPTION	QUANTITE
1	4403010079	ENJOLIVEUR LP RAPID		8	4403010171	PASSE-CÂBLES M-25	
2	4403010064	CAPUCHON RACCORD		9	4403014001	PRESSE ETOUPE FOND PROJECTEUR LEC	
3	4403010076	ENSEMBLE BOUCHON PRESSE-ETOUPE		10	4402041701	ECROU DE FIXATION AVEC JOINT	
4	4403010065	CÂBLE LUMIPLUS MINI		11	4403010060	CLÉ BUSE	
5	4403010063	ADAPTATEUR FILETÉ 1 1/2"		12	* 4411040107	CABLE PROJECTEUR PISC. HORS SOL 75W	
6	4402042102	BRIDE BOUCHE PISC. LINER		13	* 59125	TÉLÉCOMMANDE	
7	4402042101	ECROU					

ÉCLATÉ

REV.: 0

1416

DATE: 26/04/2021

PAG.: 2/2

CODE **65314IP10, 65315IP10, 71631IP10**DESCRIPTION: **PROJECTEUR LUMIPLUS RAPID**

OBSERVATIONS

POS	CODE	OBSERVATIONS
12	* 4411040107	POUR: 71631IP10
13	* 59125	POUR: 65315IP10

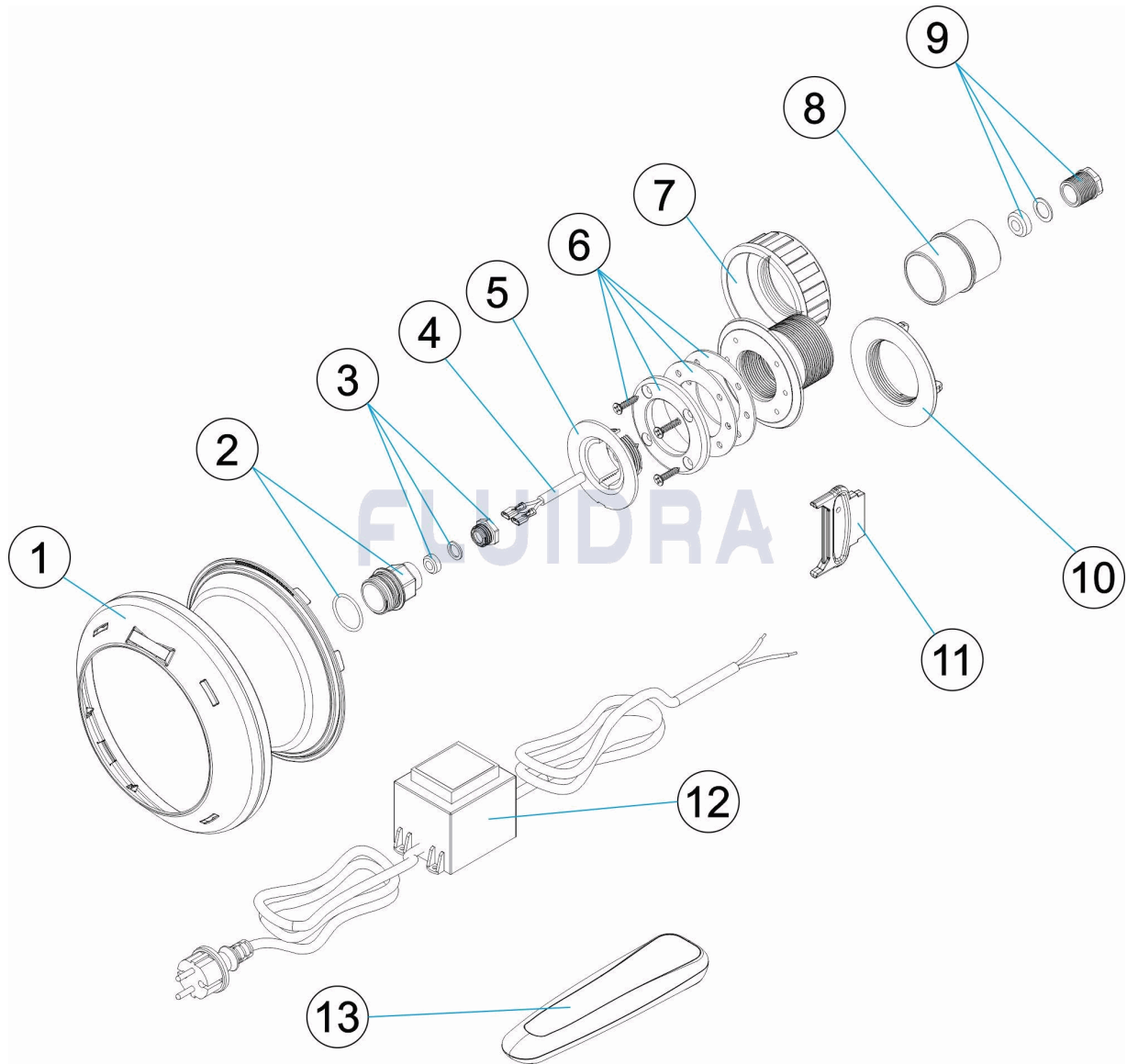
PARTS BREAKDOWN

REV.: 0
DATE: 26/04/2021
SHEET: 1/2

1416

CODE 65314IP10, 65315IP10, 71631IP10

DESCRIPTION: LIGHT LUMIPLUS RAPID



ENGLISH

POS	CODE	DESCRIPTION	QUANTITY	POS	CODE	DESCRIPTION	QUANTITY
1	4403010079	LP RAPID TRIM		8	4403010171	CABLE GLAND M-25	
2	4403010064	CONNECTOR CAP		9	4403014001	PACKING GLANDUWL LEDS	
3	4403010076	PACKING GLAND ASSEMBLY		10	4402041701	FIXING NUT AND GASKET	
4	4403010065	CABLE LUMIPLUS MINI		11	4403010060	NOZZLE KEY	
5	4403010063	THREAD ADAPTOR 1 1/2"		12	* 4411040107	AB.GROUND POOL LIGHT CABLE 75W	
6	4402042102	LINER INLET FLANGE		13	* 59125	TRANSMITTER	
7	4402042101	INLET NUT					

PARTS BREAKDOWN

REV.: 0

1416

DATE: 26/04/2021

SHEET: 2/2

CODE **65314IP10, 65315IP10, 71631IP10**

DESCRIPTION: **LIGHT LUMIPLUS RAPID**

OBSERVATIONS

POS	CODE	OBSERVATIONS
12	* 4411040107	FOR: 71631IP10
13	* 59125	FOR: 65315IP10

ESPLOSO

REV.: 0

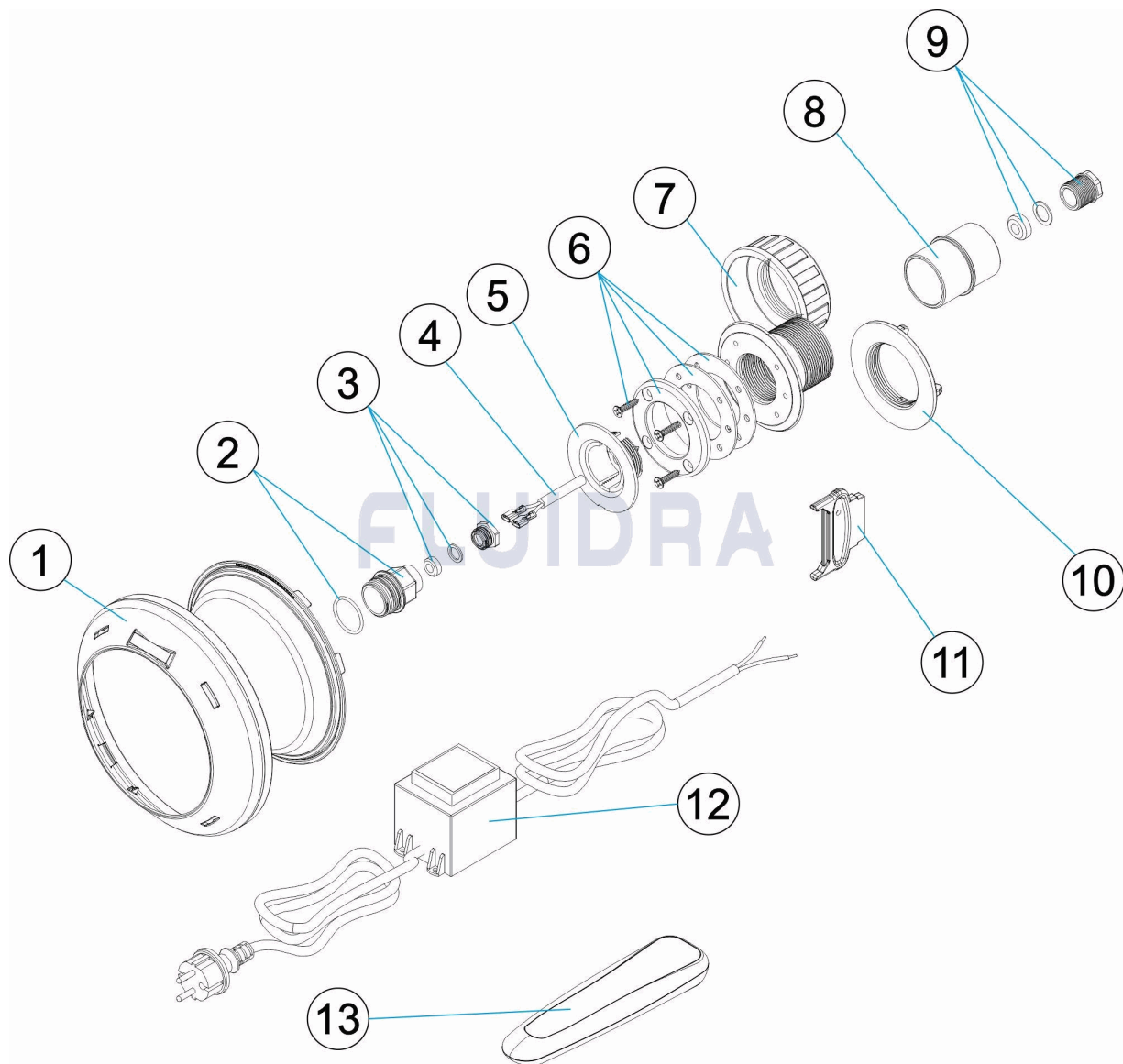
1416

DATA: 26/04/2021

PAG.: 1/2

CODICE 65314IP10, 65315IP10, 71631IP10

DESCRIZIONE: PROIETTORE LUMIPLUS RAPID



ITALIANO

POS	CODICE	DESCRIZIONE	QUANTITA'	POS	CODICE	DESCRIZIONE	QUANTITA'
1	4403010079	FLANGIA LP RAPID		8	4403010171	PASSACAVI M-25	
2	4403010064	CAPPUCCIO DI COLLEGAMENTO		9	4403014001	PRESSACAVI CALOTTA FARO LEDS	
3	4403010076	INSIEME TAPPO PREMISTOPPA		10	4402041701	GHIERA FISSAGGIO CON GUARNIZIONE	
4	4403010065	CAVO LUMIPLUS MINI		11	4403010060	CHIAVE BOCCHETTA	
5	4403010063	ADATTATORE FILETTO 1 1/2"		12	* 4411040107	CAVO PROIETTORE PISCINA FUORI TERRA	
6	4402042102	ANELLO BOCCHETTA P. PREF		13	* 59125	TELECOMANDO	
7	4402042101	GHIERA BOCCHETTA					

* SI FACCI RIFERIMENTO AL FOGLIO DELLE OSSERVAZIONI

ESPLOSO

REV.: 0

1416

DATA: 26/04/2021

PAG.: 2/2

CODICE **65314IP10, 65315IP10, 71631IP10**DESCRIZIONE: **PROIETTORE LUMIPLUS RAPID**

OSSERVAZIONI

POS	CODICE	OSSERVAZIONI
12	* 4411040107	PER: 71631IP10
13	* 59125	PER: 65315IP10

EINZELTEILE

ÜBER.: 0

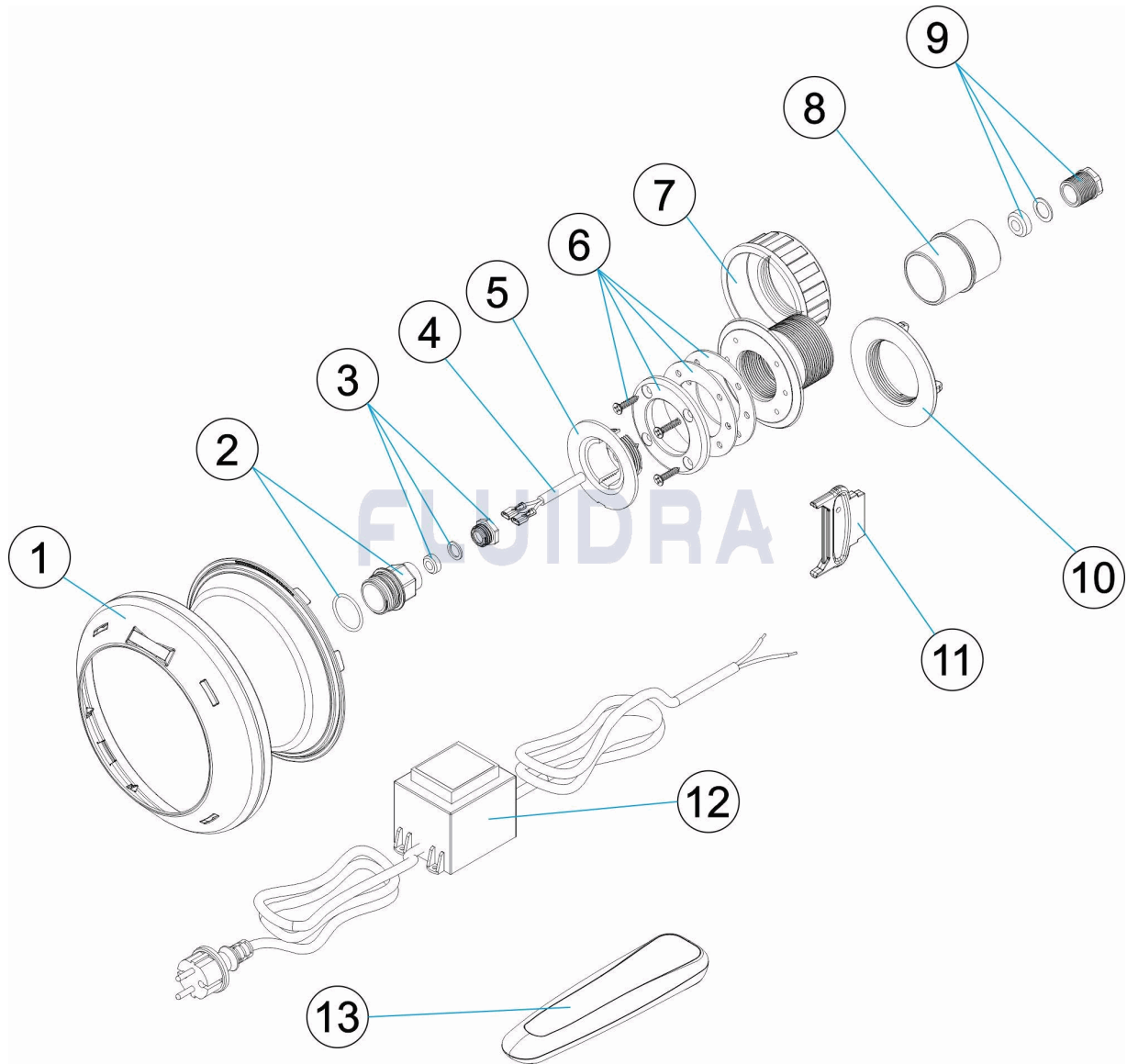
1416

DATUM: 26/04/2021

BLATT: 1/2

CODE 65314IP10, 65315IP10, 71631IP10

BESCHREIBUNG: UWS LUMIPLUS RAPID



DEUTSCH

POS	CODE	BESCHREIBUNG	MENGE	POS	CODE	BESCHREIBUNG	MENGE
1	4403010079	BLENDE LP RAPID		8	4403010171	QUETSCHVERSCHRAUBUNG M-25	
2	4403010064	HAUBE ANSCHLUSS		9	4403014001	QUETSCHVERSCHRAUBUNG LAMPE UWS	
3	4403010076	STOPFENSET QUETSCHVERSCHRAUBUN		10	4402041701	FIXIERMUTTER UND DICHTUNG	
4	4403010065	KABEL LUMIPLUS MINI		11	4403010060	SCHLÜSSEL DÜSE	
5	4403010063	GEWINDEADAPTER 1 1/2"		12	* 4411040107	UWS-KABEL AUFSTELLBECKEN 75 W	
6	4402042102	RING DÜSE FERTIGBECKEN		13	* 59125	FERNBEDIENUNG	
7	4402042101	MUTTER DÜSE					

* SIEHE ANMERKUNGSBLATT

EINZELTEILE

ÜBER.: 0

1416

DATUM: 26/04/2021

BLATT: 2/2

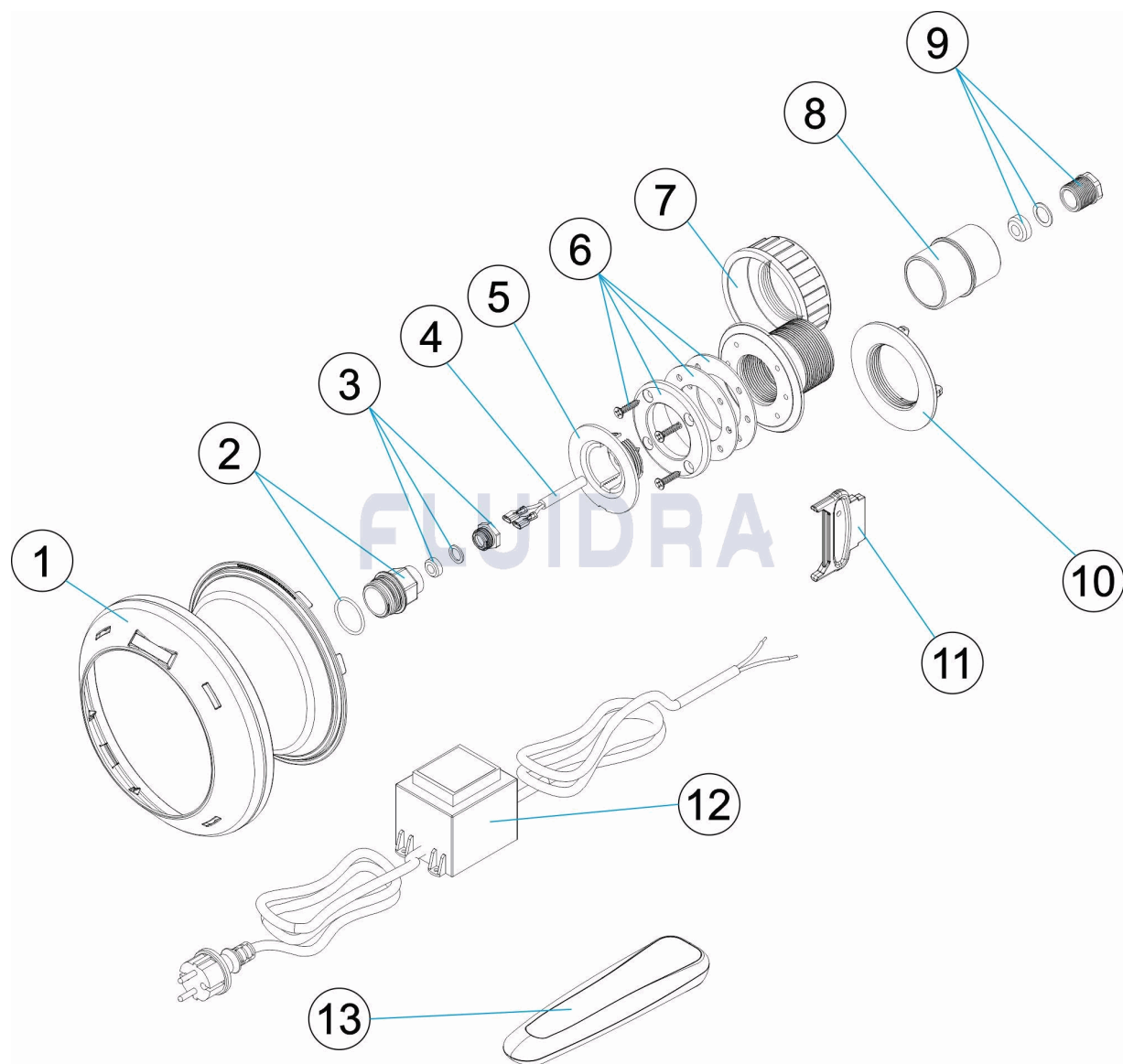
CODE **65314IP10, 65315IP10, 71631IP10**BESCHREIBUNG: **UWS LUMIPLUS RAPID**

HINWEISE

POS	CODE	HINWEISE
12	* 4411040107	FÜR: 71631IP10
13	* 59125	FÜR: 65315IP10

CODIGO 65314IP10, 65315IP10, 71631IP10

DESCRICAÇÃO: PROJECTOR LUMIPLUS RAPID



PORTUGUES

POS	CODIGO	DESCRICAÇÃO	JANTIDADE	POS	CODIGO	DESCRICAÇÃO	JANTIDADE
1	4403010079	EMBELEZADOR LP RAPID		8	4403010171	PASSA-CABOS M-25	
2	4403010064	PROTEÇÃO LIGAÇÃO		9	4403014001	PRENSAESTOPAS FOCO PROJECTOR LED	
3	4403010076	CONJUNTO TAMPABUCIM		10	4402041701	PORCA FIXAÇÃO COM JUNTA	
4	4403010065	CABO LUMIPLUS MINI		11	4403010060	CHAVE DE BOCAS	
5	4403010063	ADAPTADOR ROSCA 1 1/2"		12	* 4411040107	CABO PROJECTOR PISC.ELEV.75W	
6	4402042102	ARO BOCA P. PREF.		13	* 59125	COMANDO À DISTÂNCIA	
7	4402042101	PORCA BOCA					

ITEM

REV.: 0

1416

DATA: 26/04/2021

FOLHA: 2/2

CODIGO **65314IP10, 65315IP10, 71631IP10**DESCRIÇÃO: **PROJECTOR LUMIPLUS RAPID**

OBSERVAÇÕES

POS	CODIGO	OBSERVAÇÕES
12	* 4411040107	PARA: 71631IP10
13	* 59125	PARA: 65315IP10