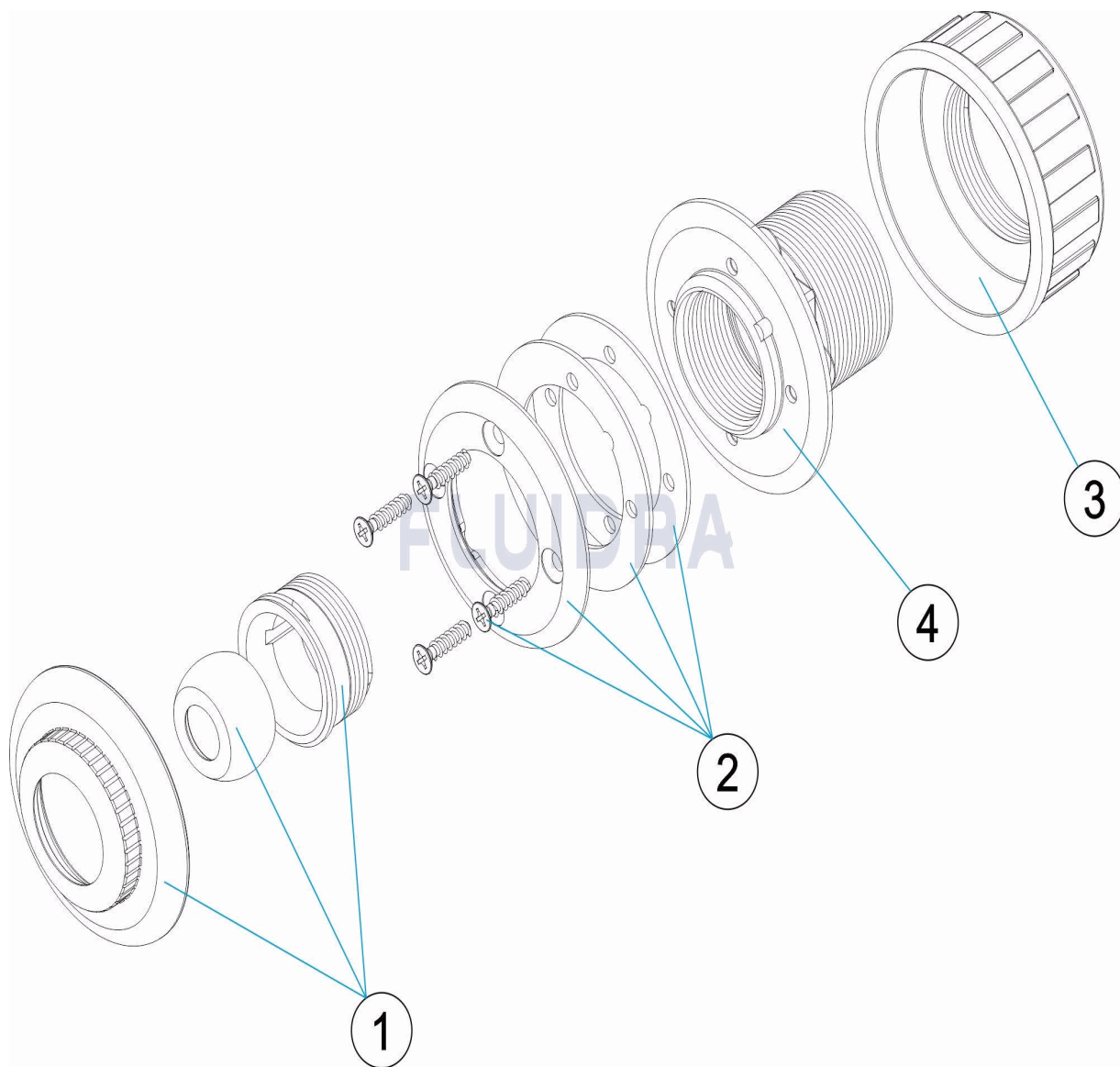


CODIGO **58531, 58531CL090, 58531CL125, 58531CL129**

DESCRIPCION: **BOQUILLA IMPULSION LINER 2" D.50**



ESPAÑOL

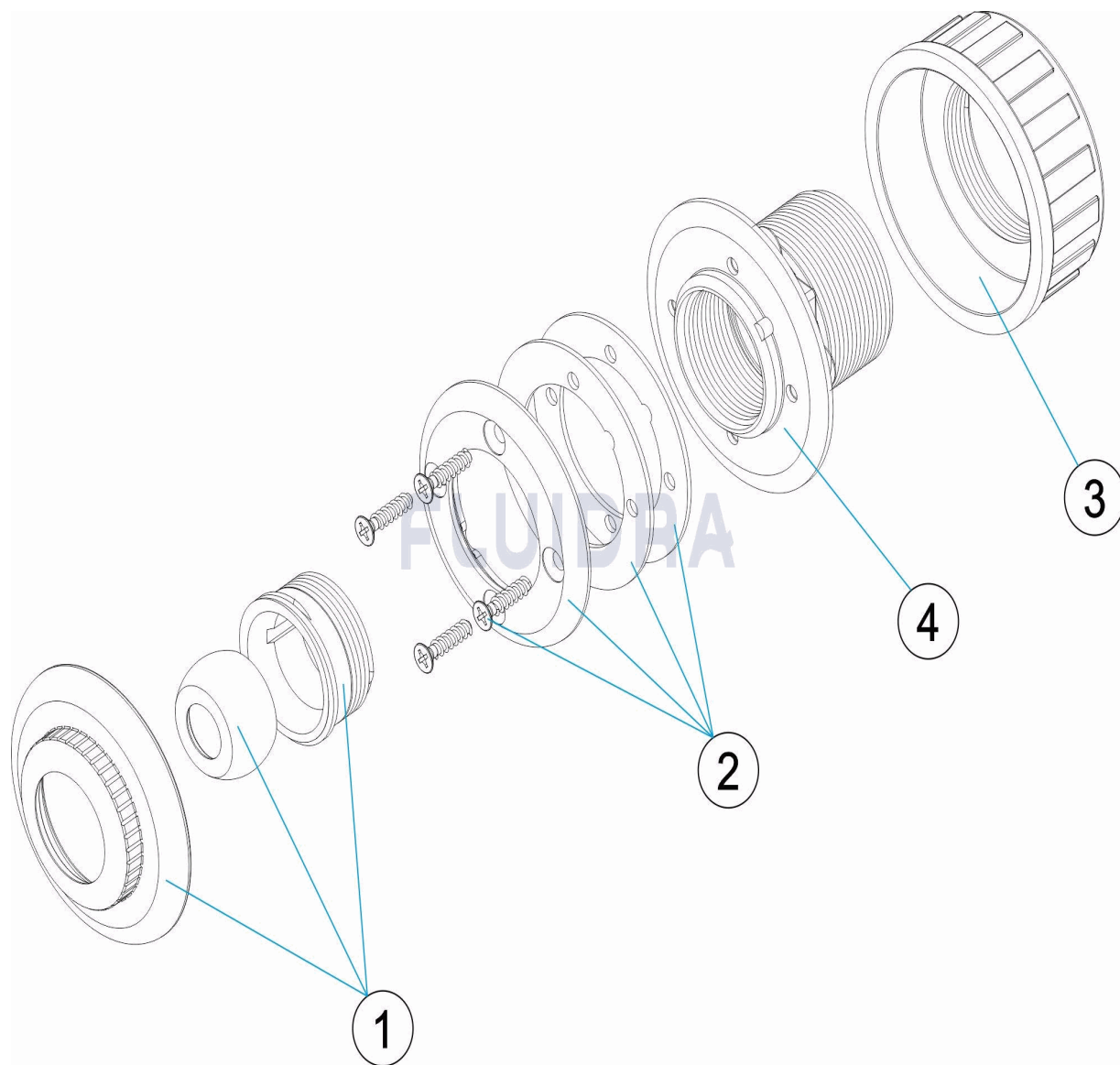
POS	CODIGO	DESCRIPCION	CANTIDAD	POS	CODIGO	DESCRIPCION	CANTIDAD
1	* 4402044801	BOLA COMPLETA		2	4402044802	ARO Y JUNTA PISC. PREF.	
1	* 4402040017	BOLA COMPLETA		3	4402042101	TUERCA BOQUILLA	
1	* 4402040018	BOLA COMPLETA		4	34411R0003	CUERPO BOQUILLA 100X54,5 LINER / INT. E	
1	* 4402040019	BOLA COMPLETA					

CODIGO **58531, 58531CL090, 58531CL125, 58531CL129**DESCRIPCION: **BOQUILLA IMPULSION LINER 2" D.50****OBSERVACIONES**

POS	CODIGO	OBSERVACIONES
1	* 4402044801	PARA: 58531 WHITE
1	* 4402040017	PARA: 58531CL090 BEIGE
1	* 4402040018	PARA: 58531CL125 BLUE
1	* 4402040019	PARA: 58531CL129 GREY

CODE **58531, 58531CL090, 58531CL125, 58531CL129**

DESCRIPTION: **BUSE REFOULEMENT LINER 2" D.50**



FRANCAIS

POS	CODE	DESCRIPTION	QUANTITE	POS	CODE	DESCRIPTION	QUANTITE
1	* 4402044801	ENSEMBLE ROTULE COMPLET		2	4402044802	JOINT ET BRIDE POUR LINER	
1	* 4402040017	ENSEMBLE ROTULE COMPLET		3	4402042101	ECROU	
1	* 4402040018	ENSEMBLE ROTULE COMPLET		4	34411R0003	CORPS BUSE 100X54,5 / LINER / INT. COLL	
1	* 4402040019	ENSEMBLE ROTULE COMPLET					

CODE **58531, 58531CL090, 58531CL125, 58531CL129**

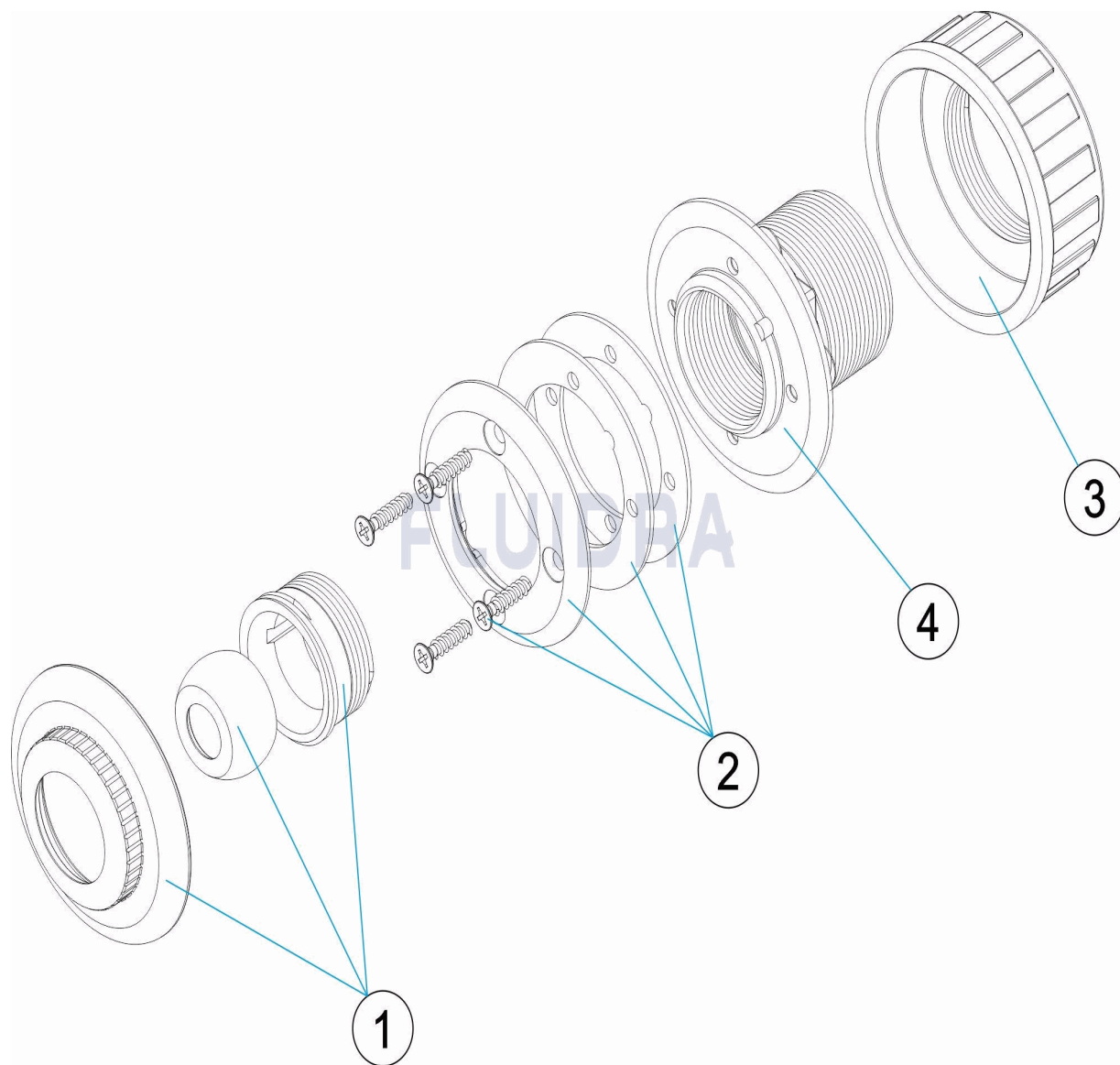
DESCRIPTION: **BUSE REFOULEMENT LINER 2" D.50**

OBSERVATIONS

POS	CODE	OBSERVATIONS
1	* 4402044801	POUR: 58531 WHITE
1	* 4402040017	POUR: 58531CL090 BEIGE
1	* 4402040018	POUR: 58531CL125 BLUE
1	* 4402040019	POUR: 58531CL129 GREY

CODE **58531, 58531CL090, 58531CL125, 58531CL129**

DESCRIPTION: **RETURN NOZZLE LINER 2" D.50**



ENGLISH

POS	CODE	DESCRIPTION	QUANTITY	POS	CODE	DESCRIPTION	QUANTITY
1	* 4402044801	EYEBALL ASSEMBLY		2	4402044802	RING AND GASKET FOR LINER POOLS	
1	* 4402040017	EYEBALL ASSEMBLY		3	4402042101	INLET NUT	
1	* 4402040018	EYEBALL ASSEMBLY		4	34411R0003	100X54.5 NOZZLE BODY/LINER/INT.SOLVENT	
1	* 4402040019	EYEBALL ASSEMBLY					

CODE **58531, 58531CL090, 58531CL125, 58531CL129**

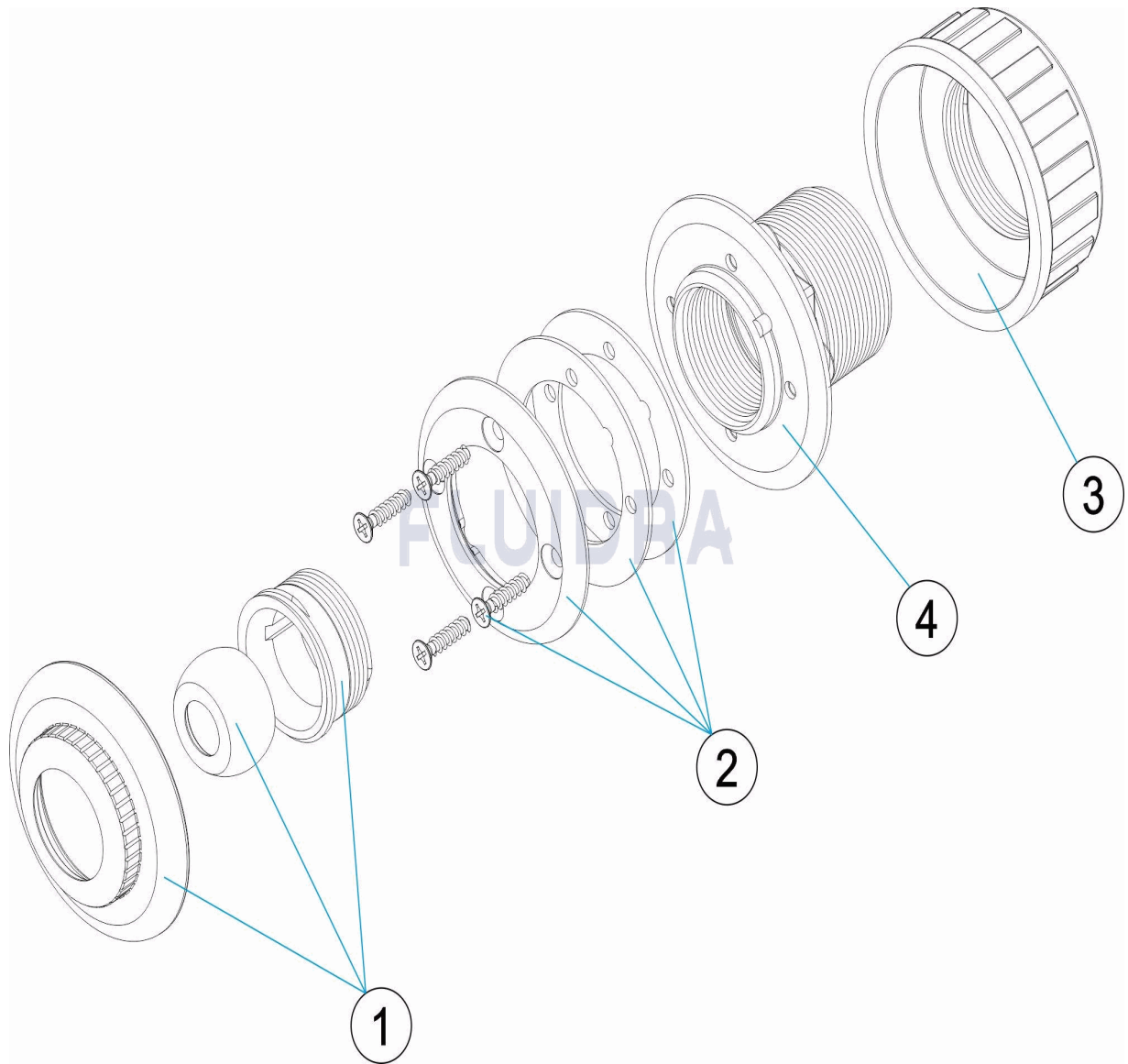
DESCRIPTION: **RETURN NOZZLE LINER 2" D.50**

OBSERVATIONS

POS	CODE	OBSERVATIONS
1	* 4402044801	FOR: 58531 WHITE
1	* 4402040017	FOR: 58531CL090 BEIGE
1	* 4402040018	FOR: 58531CL125 BLUE
1	* 4402040019	FOR: 58531CL129 GREY

CODICE **58531, 58531CL090, 58531CL125, 58531CL129**

DESCRIZIONE: **BOCCHETTA DI IMPULSIONE LINER 2" D.50**



ITALIANO

POS	CODICE	DESCRIZIONE	QUANTITA'	POS	CODICE	DESCRIZIONE	QUANTITA'
1	* 4402044801	SFERA COMPLETA		2	4402044802	COPRIFLANGIA E GUARNIZIONE PISC. PRE	
1	* 4402040017	SFERA COMPLETA		3	4402042101	GHIERA BOCCHETTA	
1	* 4402040018	SFERA COMPLETA		4	34411R0003	CORPO BOCCHETTA 100X54,5/LINER/INT. II	
1	* 4402040019	SFERA COMPLETA					

CODICE 58531, 58531CL090, 58531CL125, 58531CL129

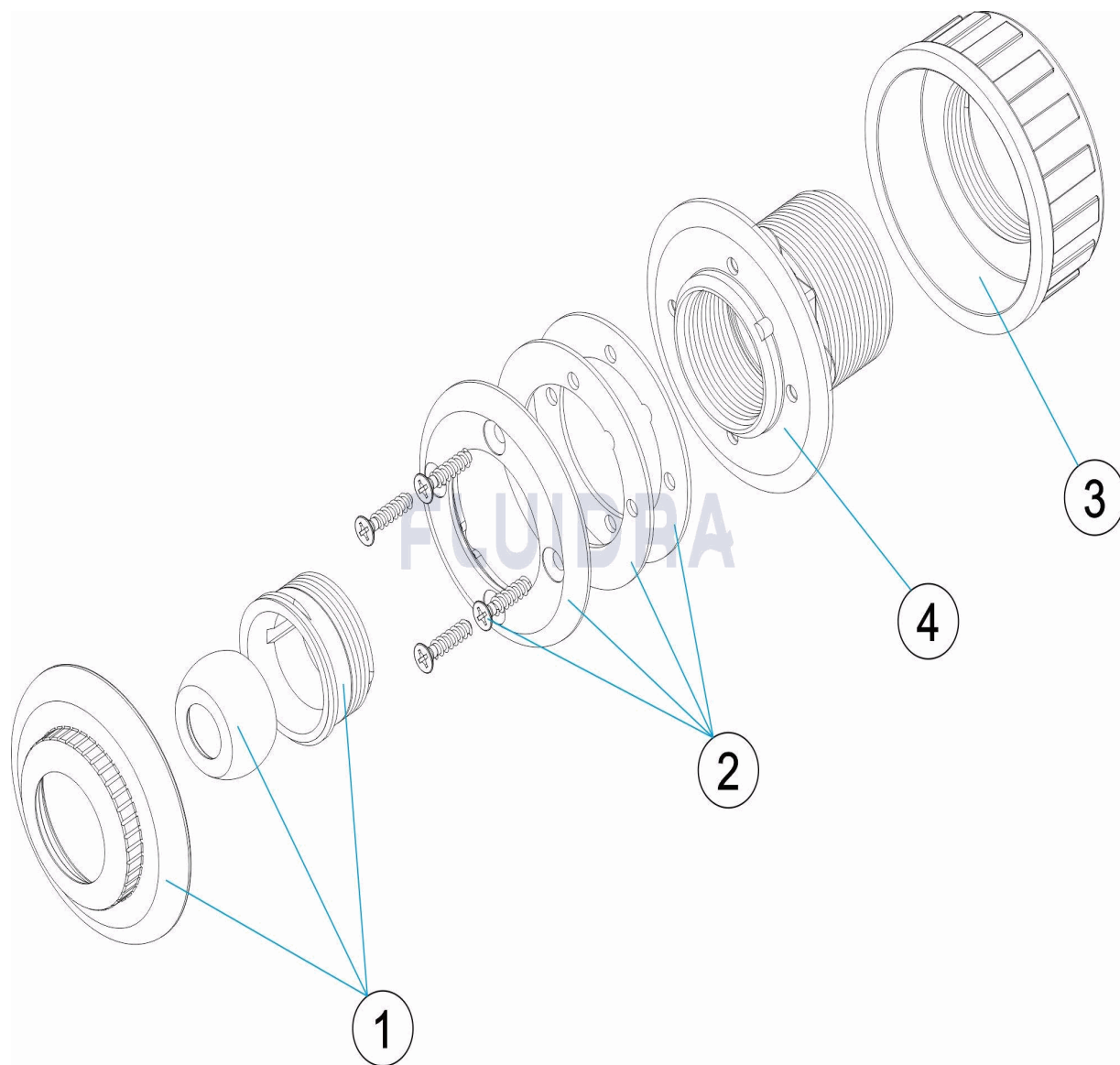
DESCRIZIONE: BOCCHETTA DI IMPULSIONE LINER 2" D.50

OSSERVAZIONI

POS	CODICE	OSSERVAZIONI
1	* 4402044801	PER: 58531 WHITE
1	* 4402040017	PER: 58531CL090 BEIGE
1	* 4402040018	PER: 58531CL125 BLUE
1	* 4402040019	PER: 58531CL129 GREY

CODE **58531, 58531CL090, 58531CL125, 58531CL129**

BESCHREIBUNG: **EINLAUFDÜSE FOLIE 2" D.50**



DEUTSCH

POS	CODE	BESCHREIBUNG	MENGE	POS	CODE	BESCHREIBUNG	MENGE
1	* 4402044801	KUGEL KOMPLETT		2	4402044802	RING UND DICHTUNG FERTIGBECKEN	
1	* 4402040017	KUGEL KOMPLETT		3	4402042101	MUTTER DÜSE	
1	* 4402040018	KUGEL KOMPLETT		4	34411R0003	GEHÄUSE DÜSE 100 X 54,5 FOLIE / INT. ZU	
1	* 4402040019	KUGEL KOMPLETT					

CODE **58531, 58531CL090, 58531CL125, 58531CL129**

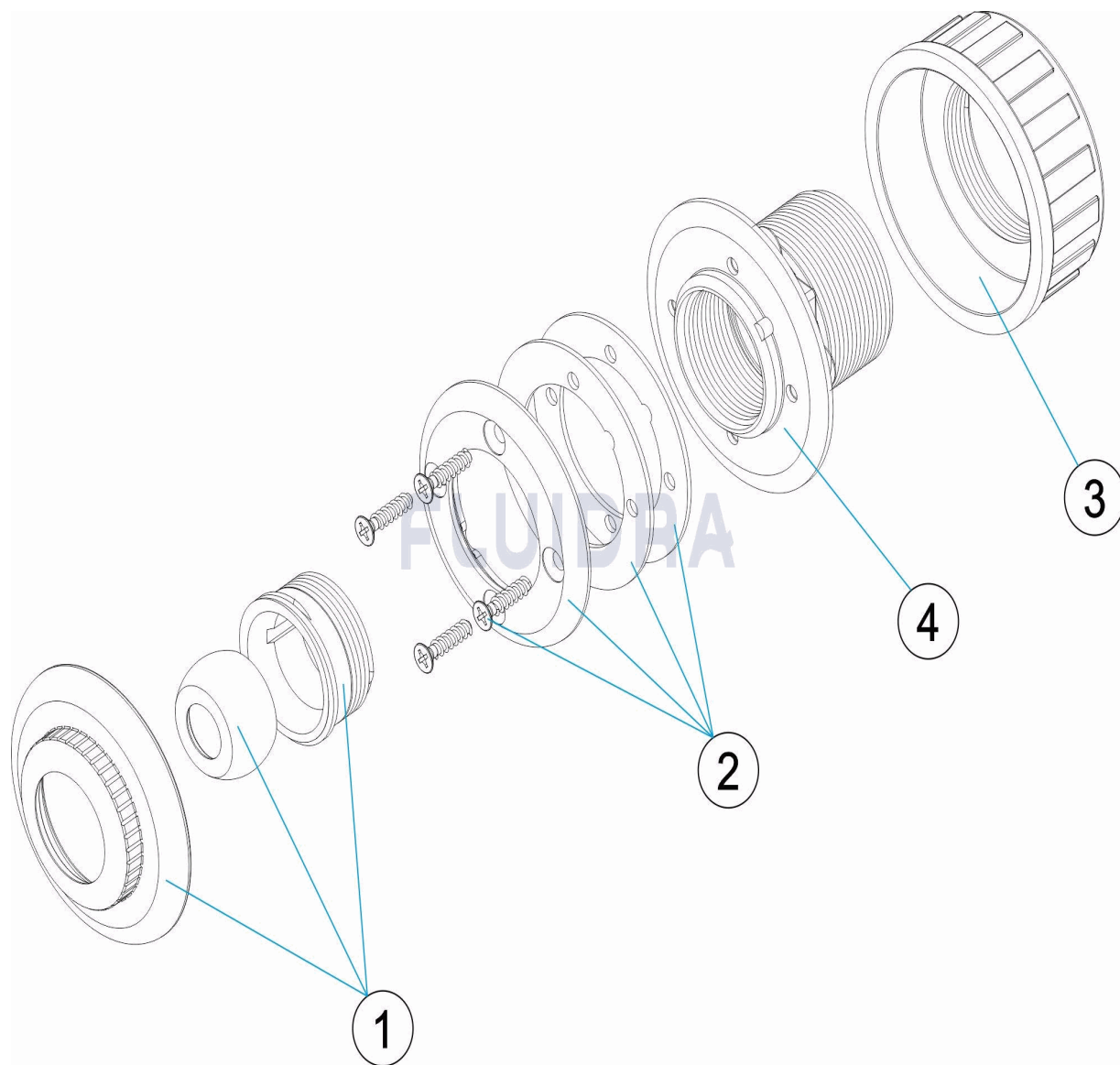
BESCHREIBUNG: **EINLAUFDÜSE FOLIE 2" D.50**

HINWEISE

POS	CODE	HINWEISE
1	* 4402044801	FÜR: 58531 WHITE
1	* 4402040017	FÜR: 58531CL090 BEIGE
1	* 4402040018	FÜR: 58531CL125 BLUE
1	* 4402040019	FÜR: 58531CL129 GREY

CODIGO **58531, 58531CL090, 58531CL125, 58531CL129**

DESCRIÇÃO: **BOQUILHA IMPULSÃO LINER 2" D.50**



PORTUGUES

POS	CODIGO	DESCRIÇÃO	JANTIDADE	POS	CODIGO	DESCRIÇÃO	JANTIDADE
1	* 4402044801	BOLA MULTIFLOW COMPLETA		2	4402044802	ARO E JUNTA PISCINA PRE-FABRICADA	
1	* 4402040017	BOLA MULTIFLOW COMPLETA		3	4402042101	PORCA BOCA	
1	* 4402040018	BOLA MULTIFLOW COMPLETA		4	34411R0003	PEÇA BOCAL 100X54,5/LINER/INT. COLÁVE	
1	* 4402040019	BOLA MULTIFLOW COMPLETA					

CODIGO **58531, 58531CL090, 58531CL125, 58531CL129**

DESCRIÇÃO: BOQUILHA IMPULSÃO LINER 2" D.50

OBSERVAÇÕES

POS	CODIGO	OBSERVAÇÕES
1	* 4402044801	PARA: 58531 WHITE
1	* 4402040017	PARA: 58531CL090 BEIGE
1	* 4402040018	PARA: 58531CL125 BLUE
1	* 4402040019	PARA: 58531CL129 GREY