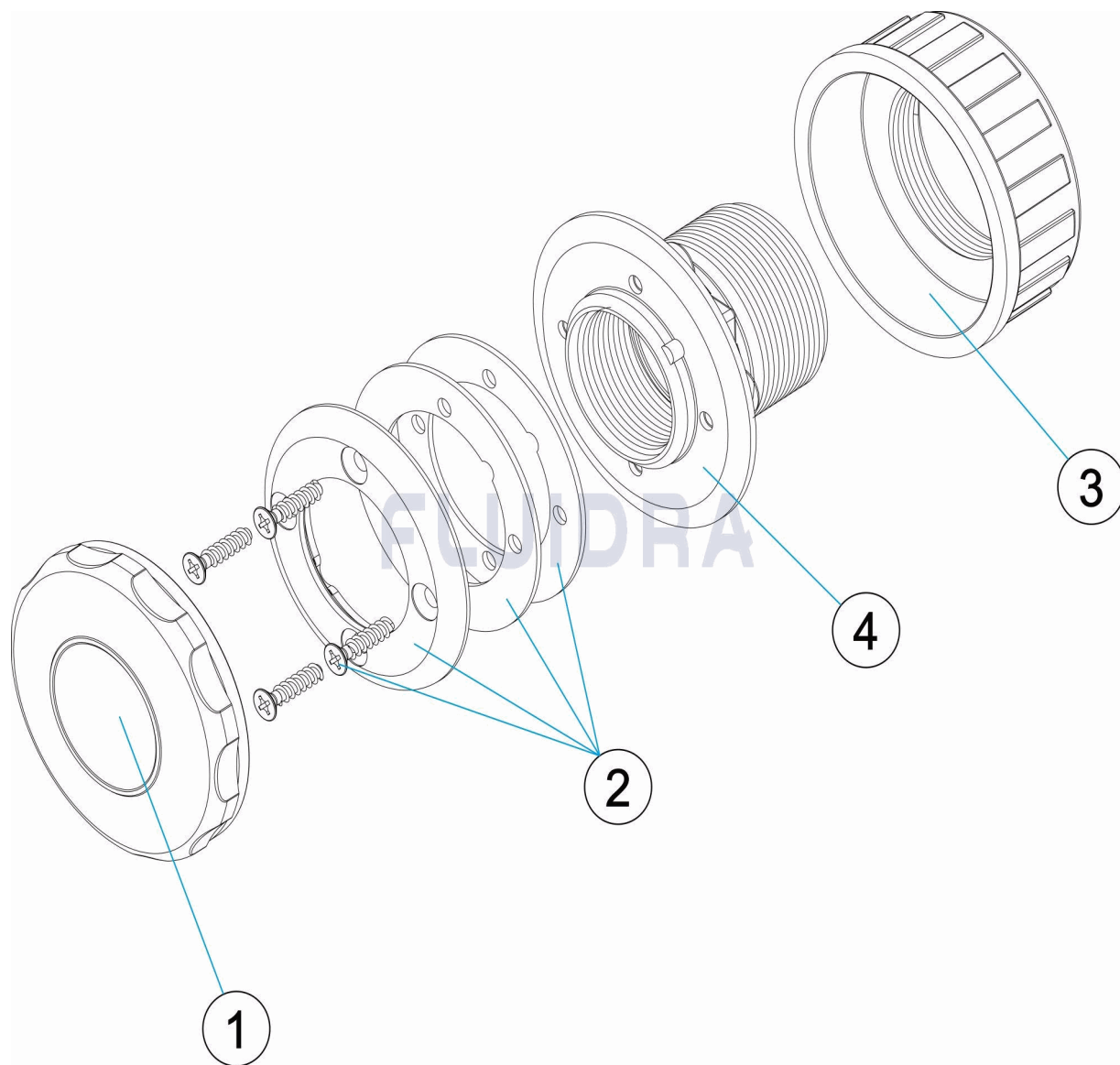


CODIGO **58535, 58535CL090, 58535CL125, 58535CL129**

DESCRIPCION: **BOQUILLA ASPIRACION LINER 2" D.50**



ESPAÑOL

POS	CODIGO	DESCRIPCION	CANTIDAD	POS	CODIGO	DESCRIPCION	CANTIDAD
1	* 4402046902	TAPON BOQUILLA 100X54,5		2	4402044802	ARO Y JUNTA PISC. PREF.	
1	* 4402040024	TAPON BOQUILLA EASY-POOL		3	4402042101	TUERCA BOQUILLA	
1	* 4402040025	TAPON BOQUILLA EASY-POOL		4	34411R0003	CUERPO BOQUILLA 100X54,5 LINER / INT. E	
1	* 4402040026	TAPON BOQUILLA EASY-POOL					

CODIGO 58535, 58535CL090, 58535CL125, 58535CL129

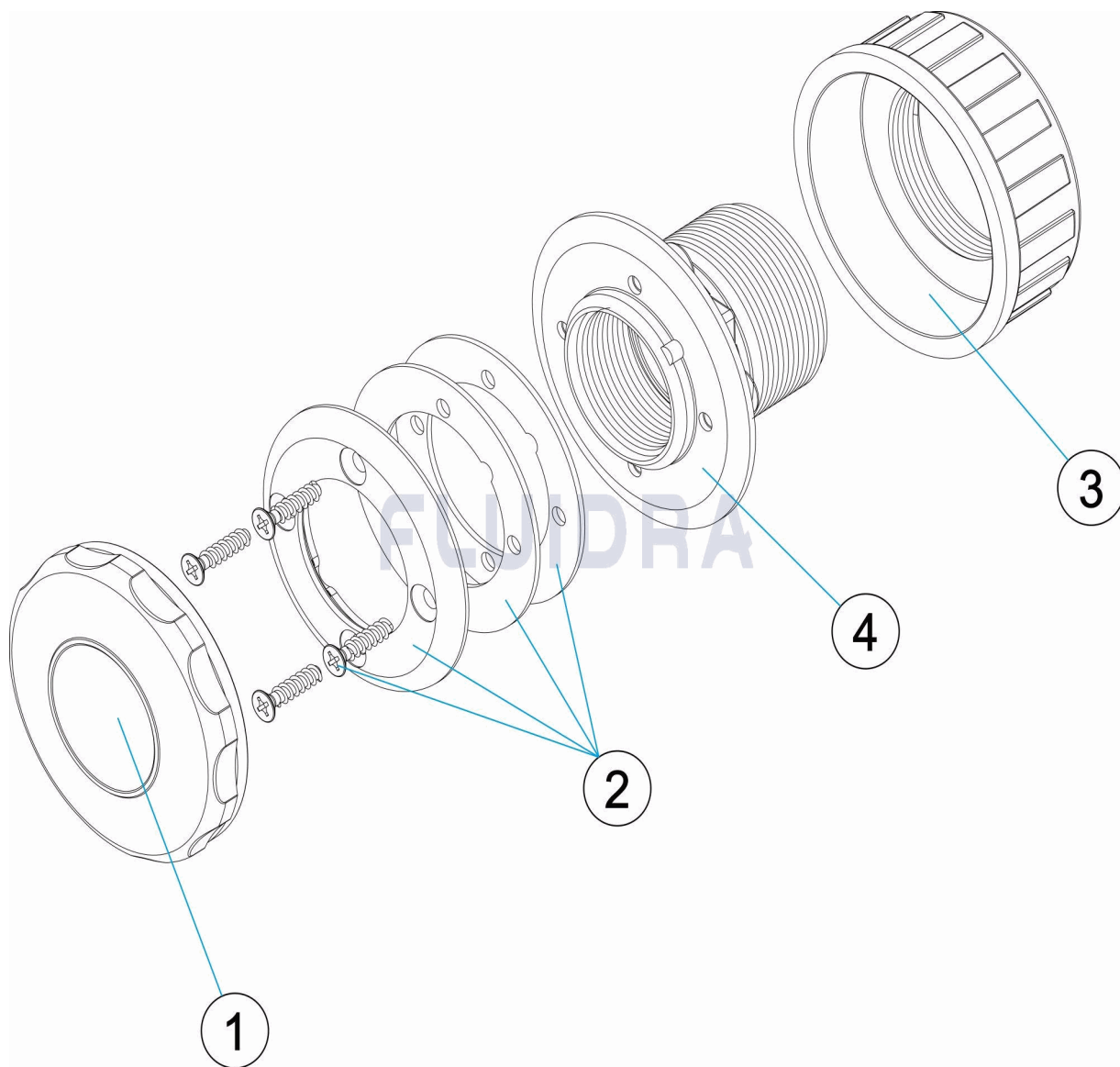
DESCRIPCION: BOQUILLA ASPIRACION LINER 2" D.50

OBSERVACIONES

POS	CODIGO	OBSERVACIONES
1	* 4402046902	PARA: 58535 WHITE
1	* 4402040024	PARA: 58535CL090 BEIGE
1	* 4402040025	PARA: 58535CL125 BLUE
1	* 4402040026	PARA: 58535CL129 GREY

CODE **58535, 58535CL090, 58535CL125, 58535CL129**

DESCRIPTION: **BOUCHE ASPIRATION LINER 2" D.50**



FRANCAIS

POS	CODE	DESCRIPTION	QUANTITE	POS	CODE	DESCRIPTION	QUANTITE
1	* 4402046902	BOUCHON DE BOUCHE 100X54,5		2	4402044802	JOINT ET BRIDE POUR LINER	
1	* 4402040024	BOUCHON DE BOUCHE EASY-POOL		3	4402042101	ECROU	
1	* 4402040025	BOUCHON DE BOUCHE EASY-POOL		4	34411R0003	CORPS BUSE 100X54,5 / LINER / INT. COLL	
1	* 4402040026	BOUCHON DE BOUCHE EASY-POOL					

CODE **58535, 58535CL090, 58535CL125, 58535CL129**

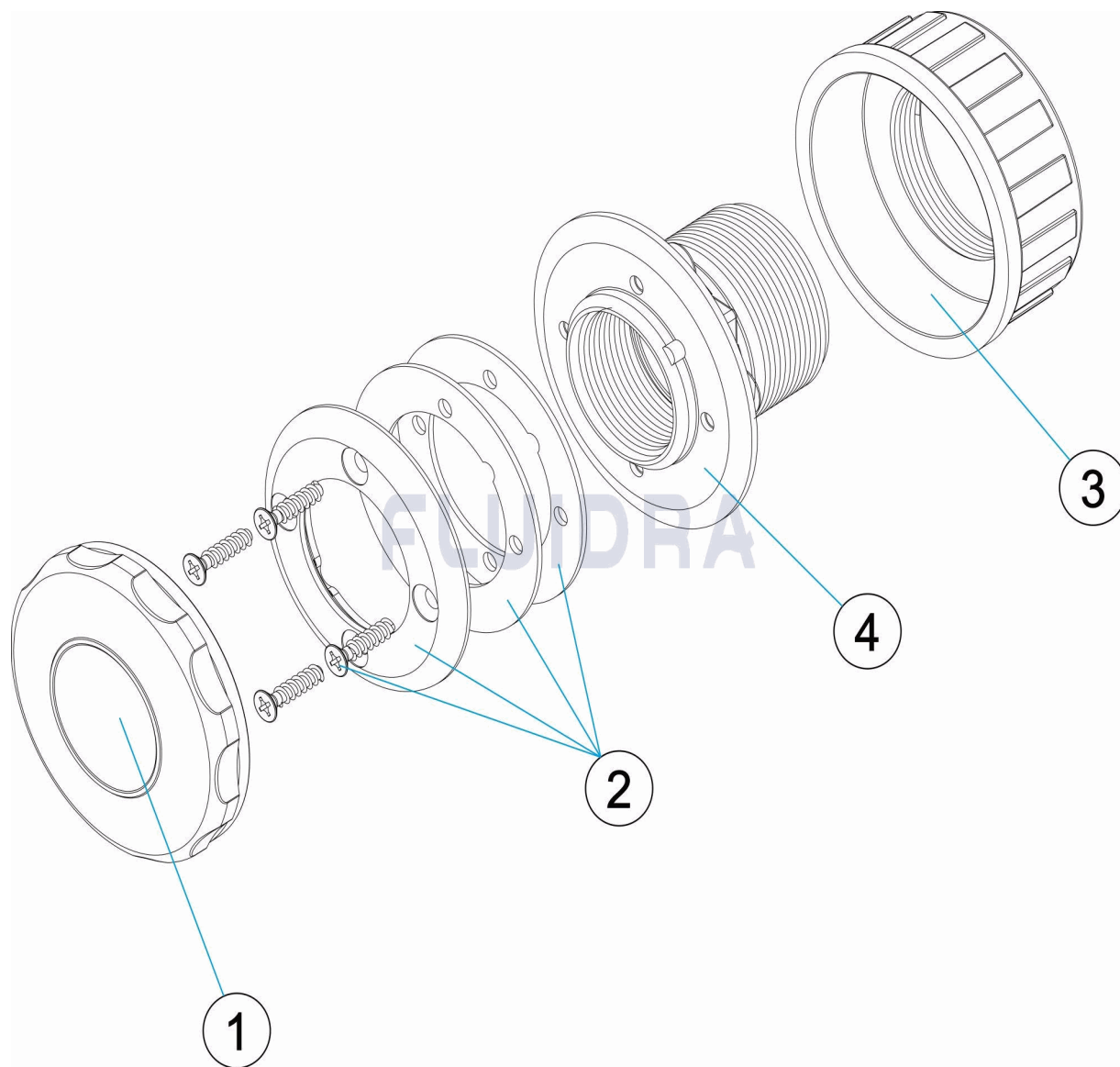
DESCRIPTION: **BOUCHE ASPIRATION LINER 2" D.50**

OBSERVATIONS

POS	CODE	OBSERVATIONS
1	* 4402046902	POUR: 58535 WHITE
1	* 4402040024	POUR: 58535CL090 BEIGE
1	* 4402040025	POUR: 58535CL125 BLUE
1	* 4402040026	POUR: 58535CL129 GREY

CODE **58535, 58535CL090, 58535CL125, 58535CL129**

DESCRIPTION: **SUCTION NOZZLE LINER 2" D.50**



ENGLISH

POS	CODE	DESCRIPTION	QUANTITY	POS	CODE	DESCRIPTION	QUANTITY
1	* 4402046902	INLET CAP 100X54,5		2	4402044802	RING AND GASKET FOR LINER POOLS	
1	* 4402040024	INLET CAP EASY-POOL		3	4402042101	INLET NUT	
1	* 4402040025	INLET CAP EASY-POOL		4	34411R0003	100X54.5 NOZZLE BODY/LINER/INT.SOLVEP	
1	* 4402040026	INLET CAP EASY-POOL					

CODE **58535, 58535CL090, 58535CL125, 58535CL129**

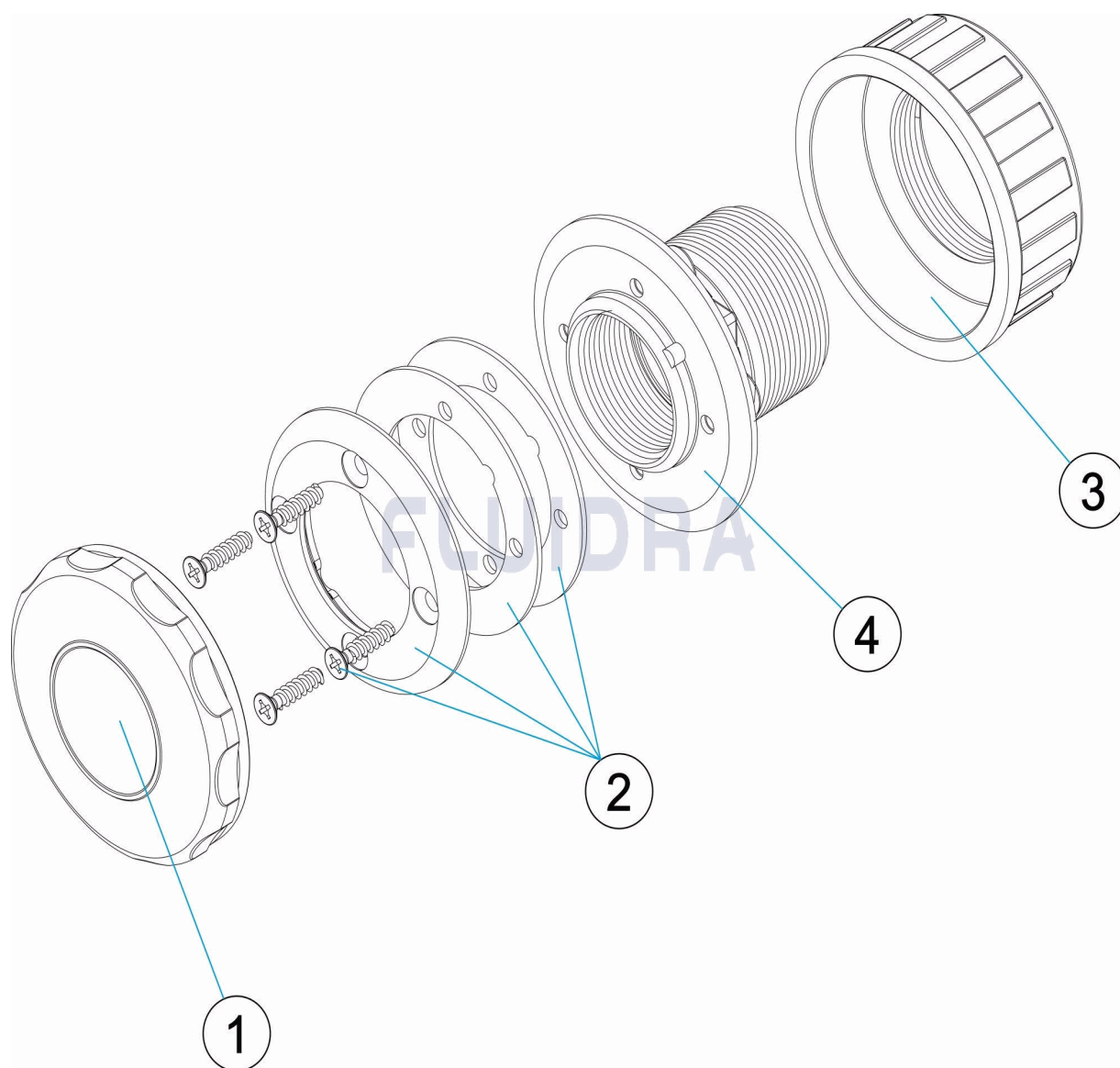
DESCRIPTION: **SUCTION NOZZLE LINER 2" D.50**

OBSERVATIONS

POS	CODE	OBSERVATIONS
1	* 4402046902	FOR: 58535 WHITE
1	* 4402040024	FOR: 58535CL090 BEIGE
1	* 4402040025	FOR: 58535CL125 BLUE
1	* 4402040026	FOR: 58535CL129 GREY

CODICE **58535, 58535CL090, 58535CL125, 58535CL129**

DESCRIZIONE: **BOCCHETTA ASPIRAZIONE LINER 2" D.50**



ITALIANO

POS	CODICE	DESCRIZIONE	QUANTITA'	POS	CODICE	DESCRIZIONE	QUANTITA'
1	* 4402046902	COPERCHIO BOCCHETTA 100X54,5		2	4402044802	COPRIFLANGIA E GUARNIZIONE PISC. PRE	
1	* 4402040024	COPERCHIO BOCCHETTA EASY-POOL		3	4402042101	GHIERA BOCCHETTA	
1	* 4402040025	COPERCHIO BOCCHETTA EASY-POOL		4	34411R0003	CORPO BOCCHETTA 100X54,5/LINER/INT. II	
1	* 4402040026	COPERCHIO BOCCHETTA EASY-POOL					

CODICE **58535, 58535CL090, 58535CL125, 58535CL129**

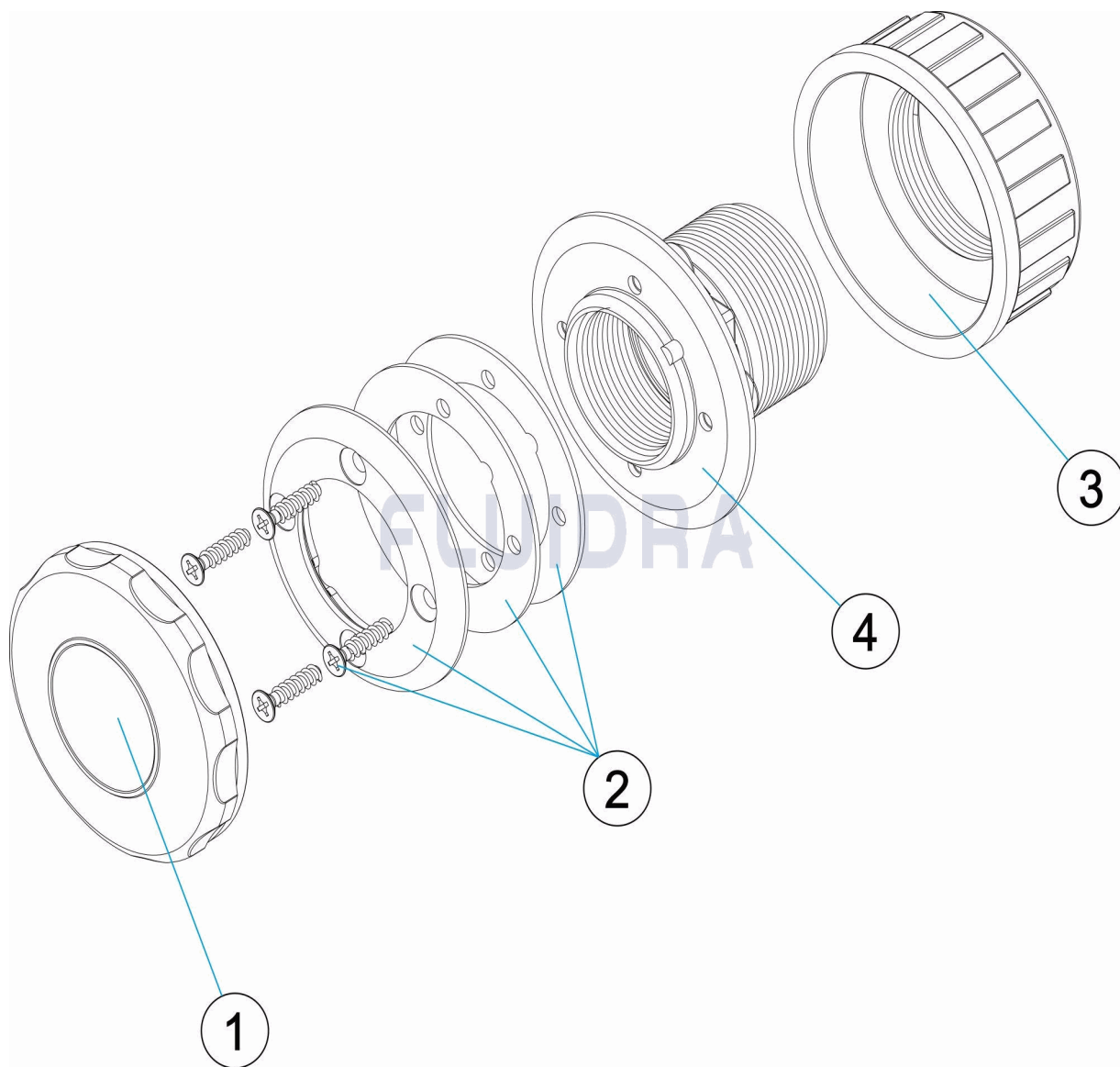
DESCRIZIONE: **BOCCHETTA ASPIRAZIONE LINER 2" D.50**

OSSERVAZIONI

POS	CODICE	OSSERVAZIONI
1	* 4402046902	PER: 58535 WHITE
1	* 4402040024	PER: 58535CL090 BEIGE
1	* 4402040025	PER: 58535CL125 BLUE
1	* 4402040026	PER: 58535CL129 GREY

CODE **58535, 58535CL090, 58535CL125, 58535CL129**

BESCHREIBUNG: **ANSAUGDÜSE FOLIE 2" D.50**



DEUTSCH

POS	CODE	BESCHREIBUNG	MENGE	POS	CODE	BESCHREIBUNG	MENGE
1	* 4402046902	STOPFEN DÜSE 100 X 54,5		2	4402044802	RING UND DICHTUNG FERTIGBECKEN	
1	* 4402040024	STOPFEN DÜSE EASY-POOL		3	4402042101	MUTTER DÜSE	
1	* 4402040025	STOPFEN DÜSE EASY-POOL		4	34411R0003	GEHÄUSE DÜSE 100 X 54,5 FOLIE / INT. ZU	
1	* 4402040026	STOPFEN DÜSE EASY-POOL					

CODE **58535, 58535CL090, 58535CL125, 58535CL129**

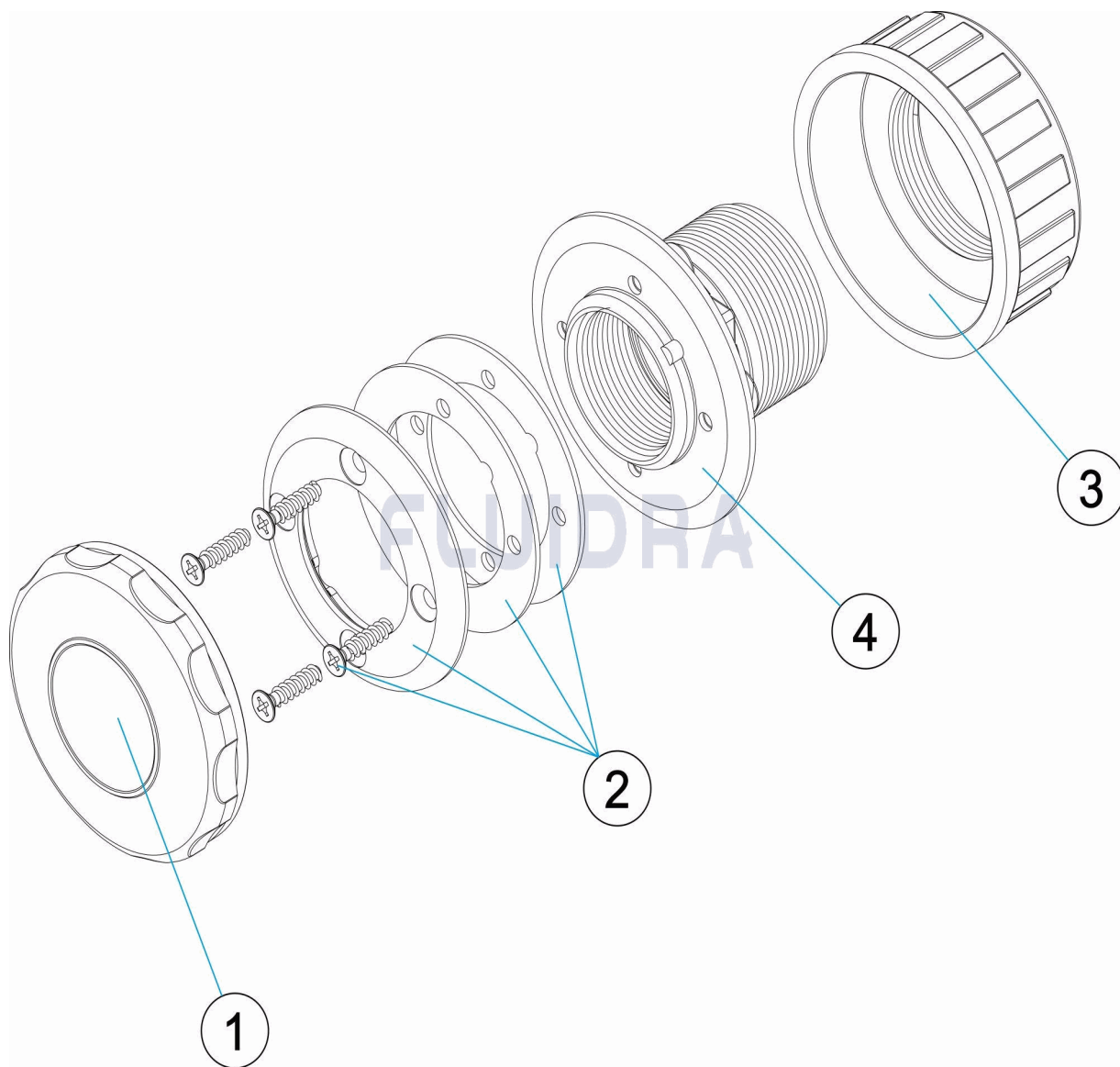
BESCHREIBUNG: **ANSAUGDÜSE FOLIE 2" D.50**

HINWEISE

POS	CODE	HINWEISE
1	* 4402046902	FÜR: 58535 WHITE
1	* 4402040024	FÜR: 58535CL090 BEIGE
1	* 4402040025	FÜR: 58535CL125 BLUE
1	* 4402040026	FÜR: 58535CL129 GREY

CODIGO **58535, 58535CL090, 58535CL125, 58535CL129**

DESCRIÇÃO: **BOQUILHA ASPIRAÇÃO LINER 2" D.50**



PORTUGUES

POS	CODIGO	DESCRIÇÃO	JANTIDADE	POS	CODIGO	DESCRIÇÃO	JANTIDADE
1	* 4402046902	TAMPÃO BOCA 100X54,5		2	4402044802	ARO E JUNTA PISCINA PRE-FABRICADA	
1	* 4402040024	TAMPÃO BOCA EASY-POOL		3	4402042101	PORCA BOCA	
1	* 4402040025	TAMPÃO BOCA EASY-POOL		4	34411R0003	PEÇA BOCAL 100X54,5/LINER/INT. COLÁVE	
1	* 4402040026	TAMPÃO BOCA EASY-POOL					

CODIGO 58535, 58535CL090, 58535CL125, 58535CL129

DESCRIÇÃO: BOQUILHA ASPIRAÇÃO LINER 2" D.50

OBSERVAÇÕES

POS	CODIGO	OBSERVAÇÕES
1	* 4402046902	PARA: 58535 WHITE
1	* 4402040024	PARA: 58535CL090 BEIGE
1	* 4402040025	PARA: 58535CL125 BLUE
1	* 4402040026	PARA: 58535CL129 GREY