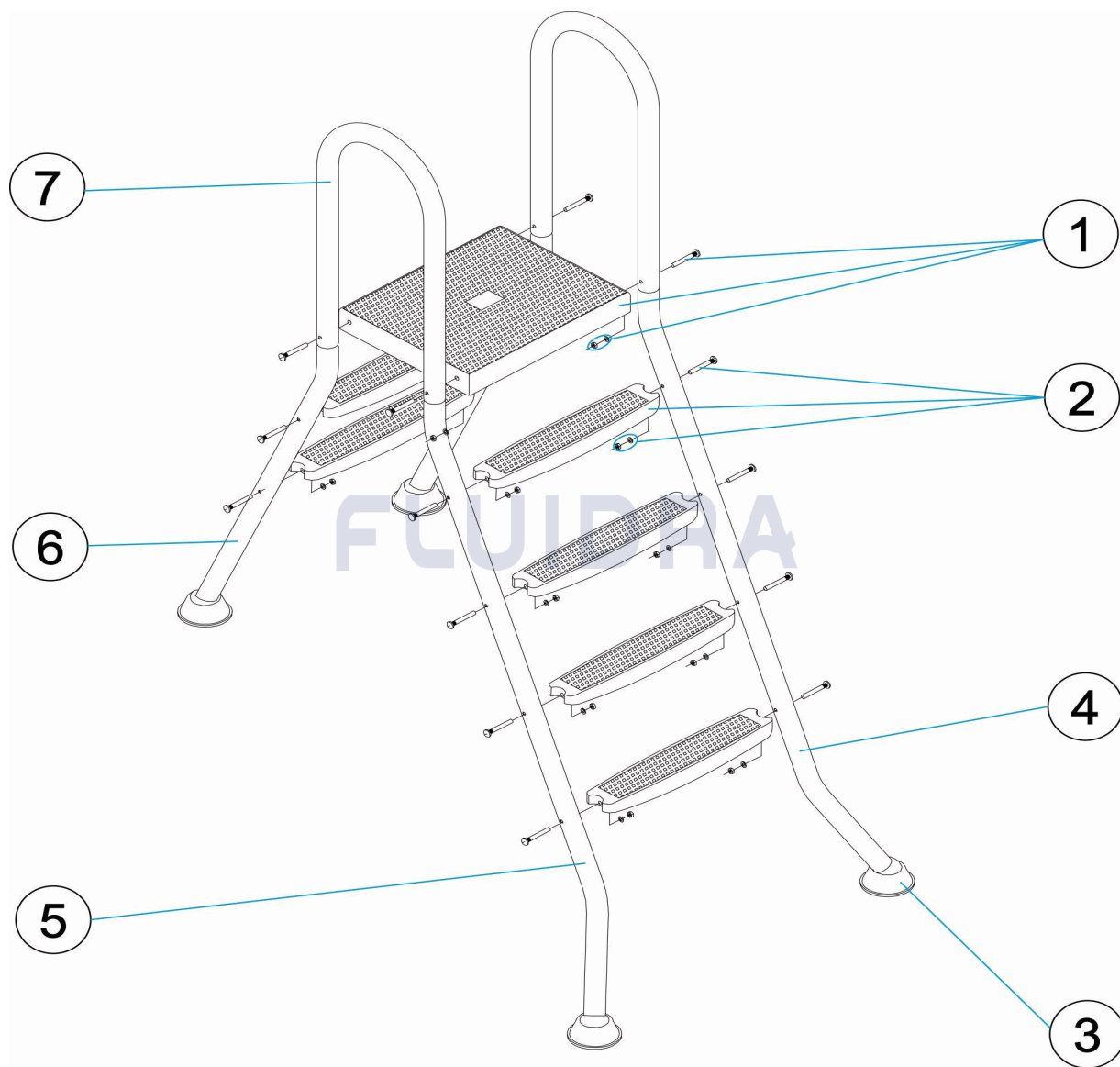


CODIGO **14532**

DESCRIPCION: **ESCALERA PISCINA SEMI-ELEVADA**

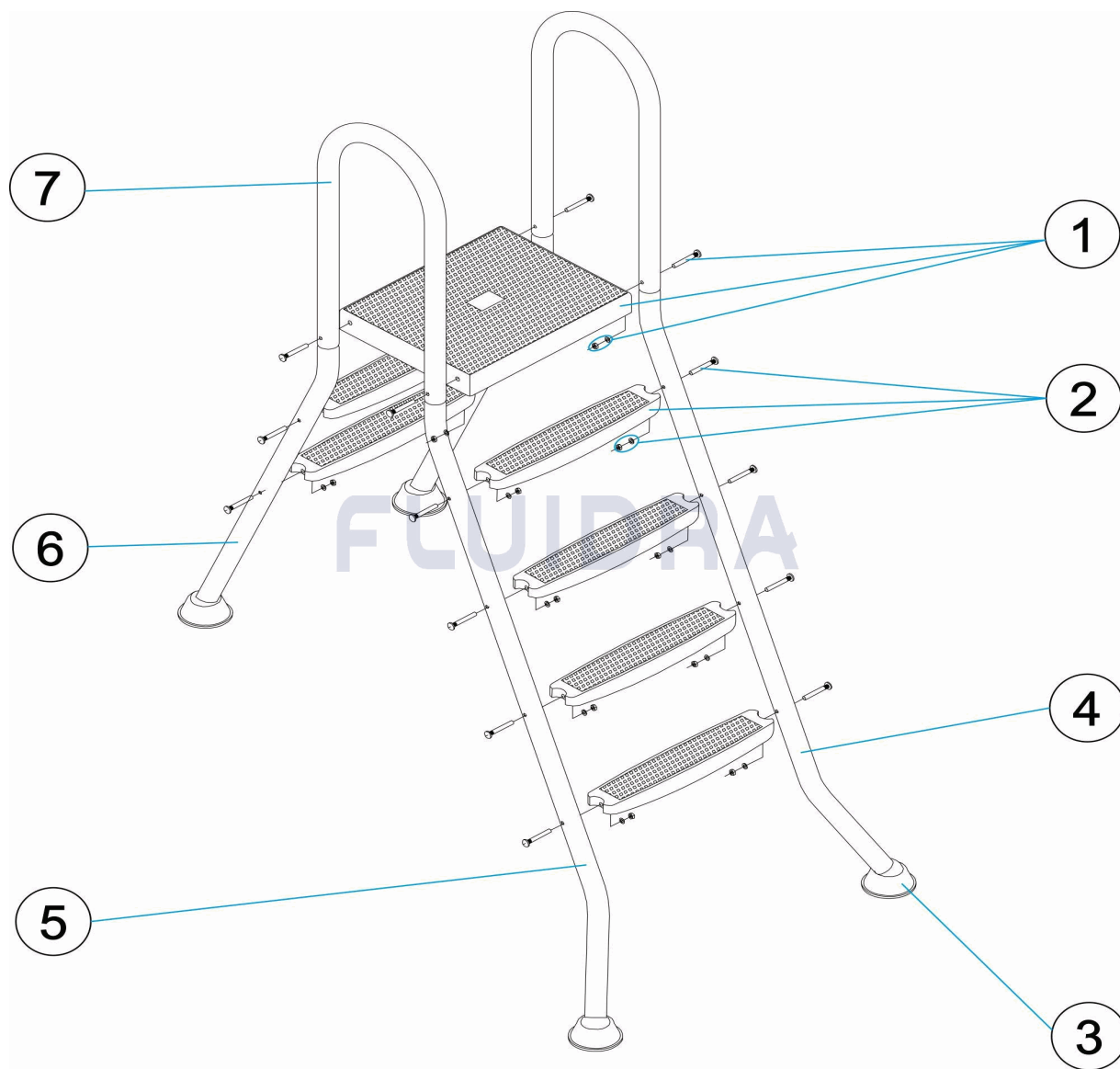


ESPAÑOL

POS	CODIGO	DESCRIPCION	CANTIDAD	POS	CODIGO	DESCRIPCION	CANTIDAD
1	4401011403	PELDAÑO PLASTICO		5	00026R0003	PASAMANO IZQUIERDO 4 PELDAÑOS	
2	4401010026	PELDAÑO PLASTICO 500 INCLINADO A4		6	14532R0100	PASAMANO DERECHO 4 PELDAÑOS	
3	4401010501	TOPE ARTICULADO		7	00025R0001	PUENTE UNION	
4	00026R0002	PASAMANO DERECHO 4 PELDAÑOS					

CODE **14532**

DESCRIPTION: **ÉCHELLE PISCINE HORS SOL SEMI-ENTERRÉE**

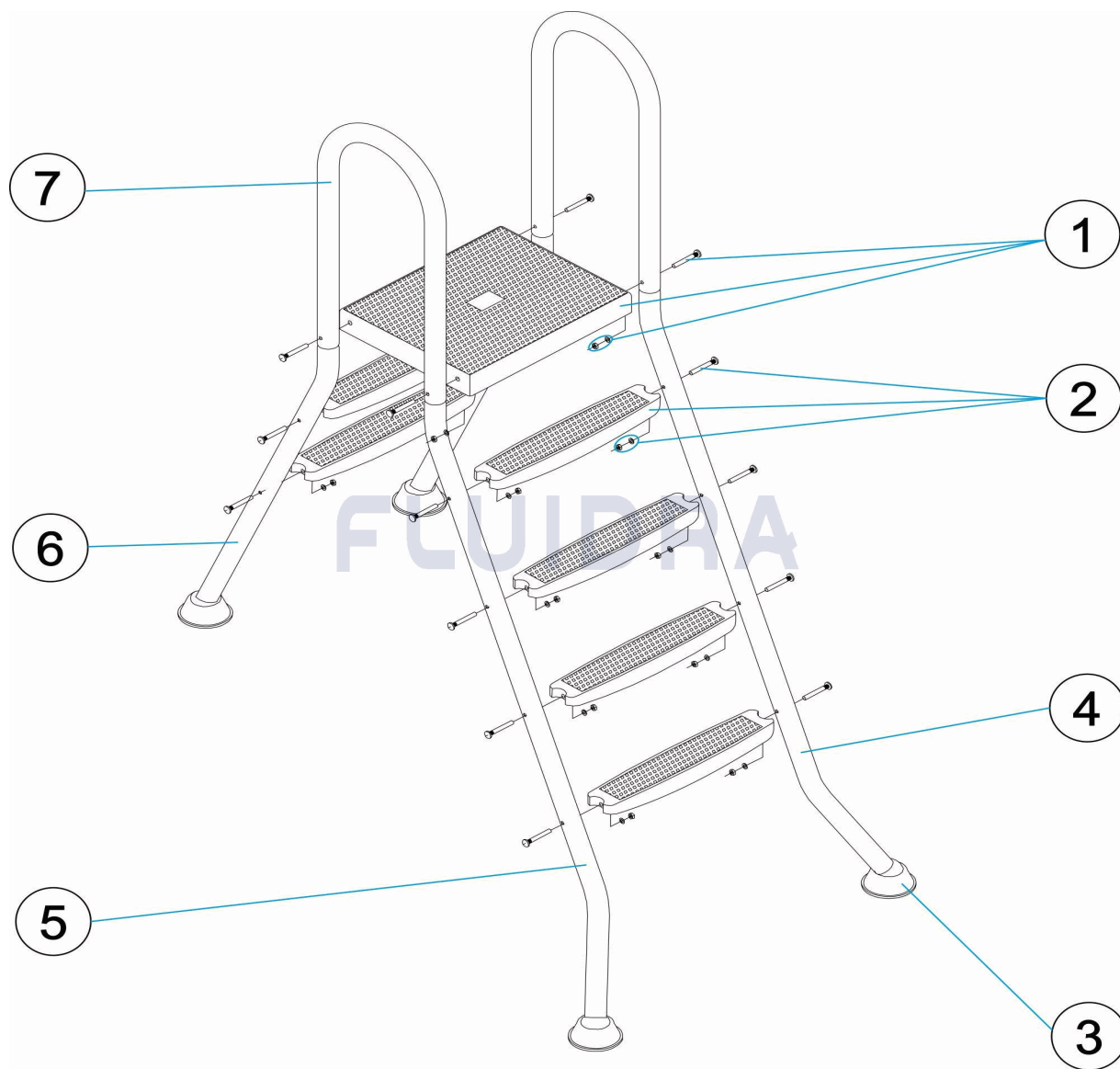


FRANCAIS

POS	CODE	DESCRIPTION	QUANTITE	POS	CODE	DESCRIPTION	QUANTITE
1	4401011403	MARCHE PLASTIQUE LARGEUR		5	00026R0003	MAIN COURANTE GAUCHE ECHELLE 4 MAI	
2	4401010026	MARCHE PLASTIQUE LARG 500 INCLINÉE		6	14532R0100	MAIN COURANTE DROITE ECHELLE 4 MAR	
3	4401010501	TAMPON ARTICULÉ		7	00025R0001	MONTANT ECHELLE DOUBLE	
4	00026R0002	MAIN COURANTE DROITE ECHELLE 4 MAF					

CODE **14532**

DESCRIPTION: **SEMI-ABOVE-GROUND POOL LADDER**

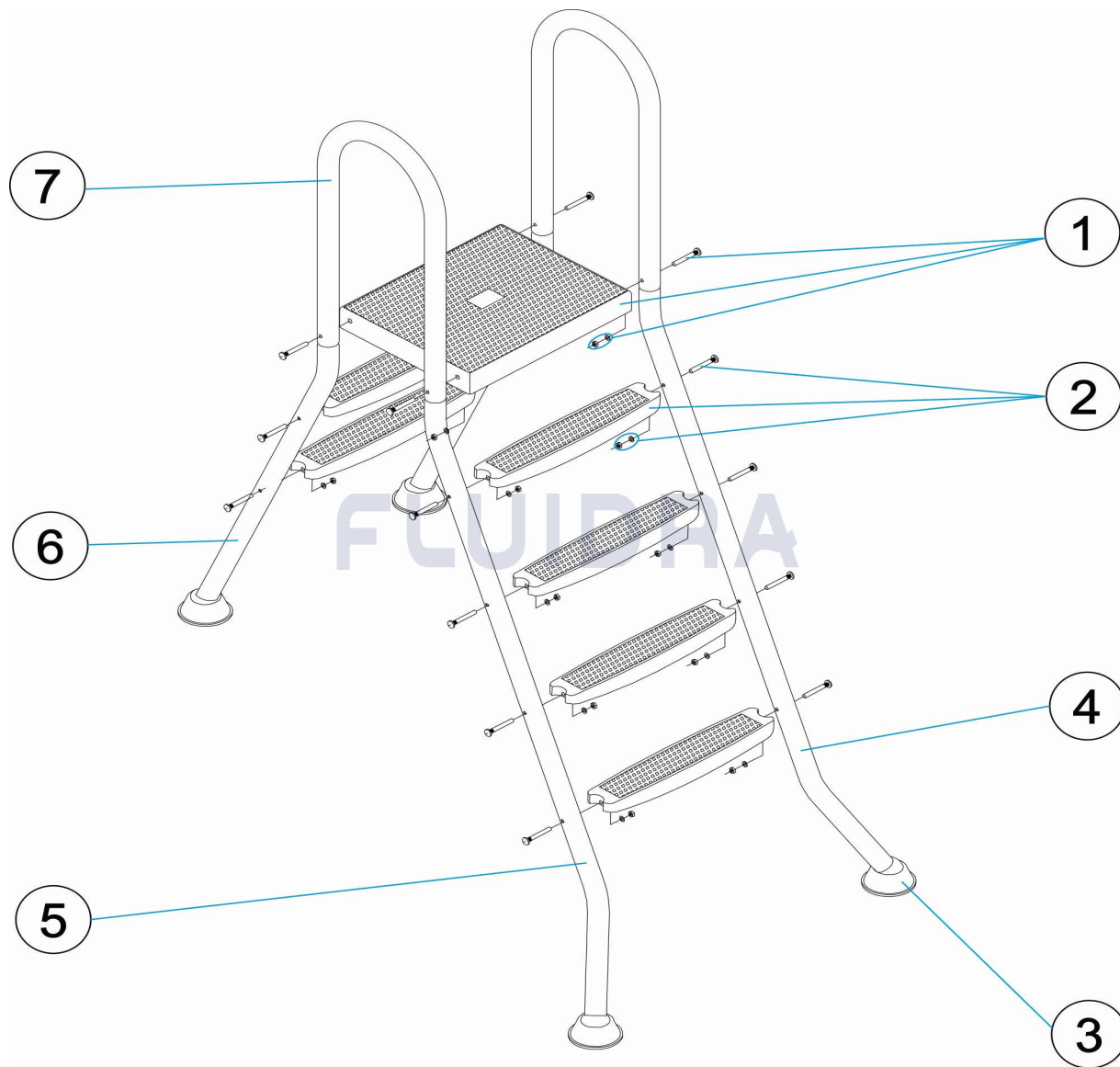


ENGLISH

POS	CODE	DESCRIPTION	QUANTITY	POS	CODE	DESCRIPTION	QUANTITY
1	4401011403	PLASTIC TREAD		5	00026R0003	LEFT HANDRAIL 4 TREAD LADDER	
2	4401010026	ANGLED PLASTIC TREAD 500 A4		6	14532R0100	RIGHT HANDRAIL 4 TREAD LADDER	
3	4401010501	ARTICULATED FOOT PAD		7	00025R0001	UNION	
4	00026R0002	RIGHT HANDRAIL 4 TREAD LADDER					

CODICE **14532**

DESCRIZIONE: **SCALA PISCINA SEMI-ELEVATA**

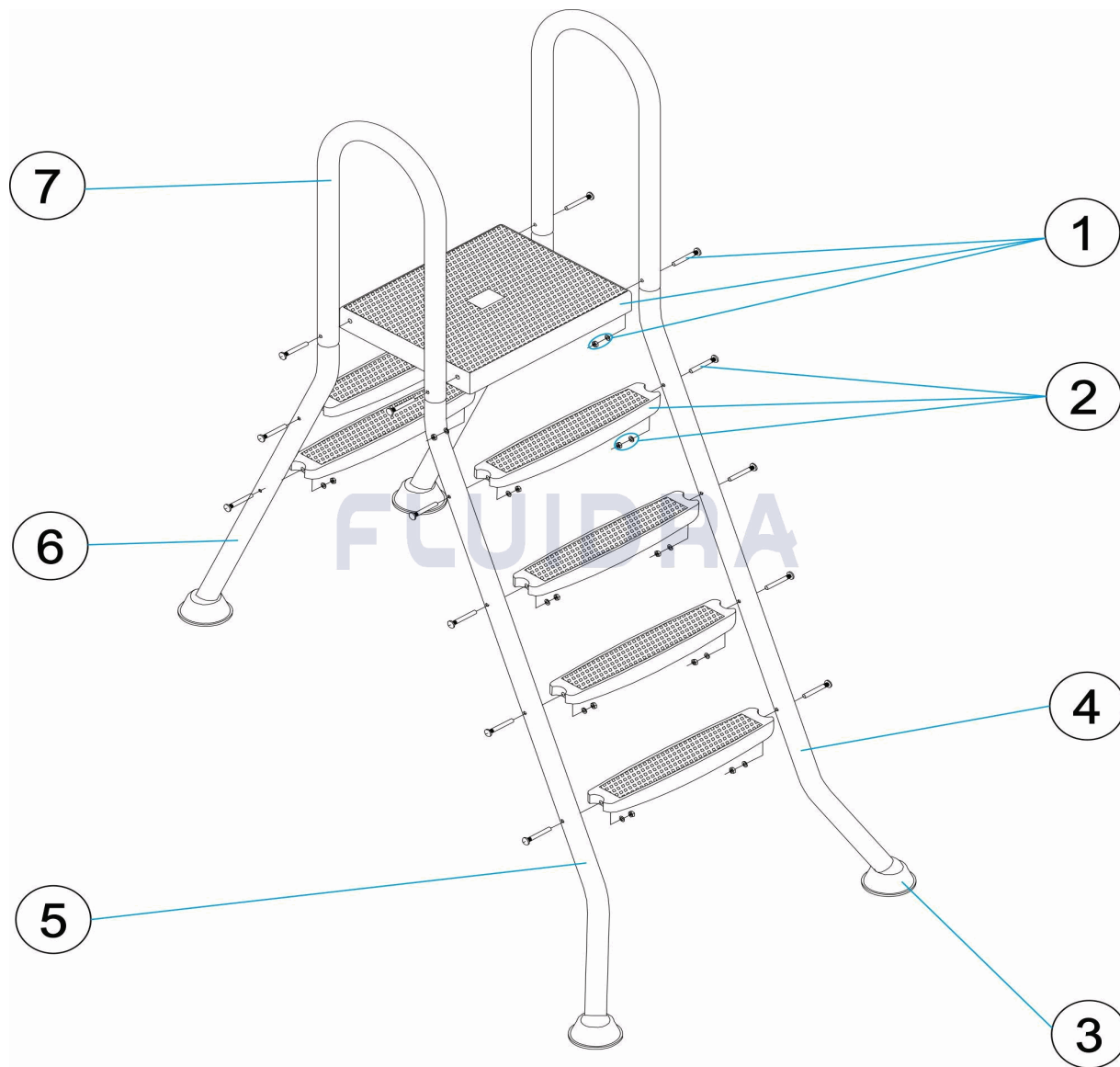


ITALIANO

POS	CODICE	DESCRIZIONE	QUANTITA'	POS	CODICE	DESCRIZIONE	QUANTITA'
1	4401011403	GRADINO IN PLASTICA		5	00026R0003	CORRIMANO SINISTRO X SCALA A 4 GR.	
2	4401010026	GRADINO IN PLASTICA DA 500 INCLINATO		6	14532R0100	CORRIMANO DIRITTO SCALA A 4 GR.	
3	4401010501	PIEDINO SNODABILE		7	00025R0001	PONTE DI UNIONE	
4	00026R0002	CORRIMANO DIRITTO SCALA A 4 GR.					

CODE **14532**

BESCHREIBUNG: **TREPPE BECKEN HALBHOCH**

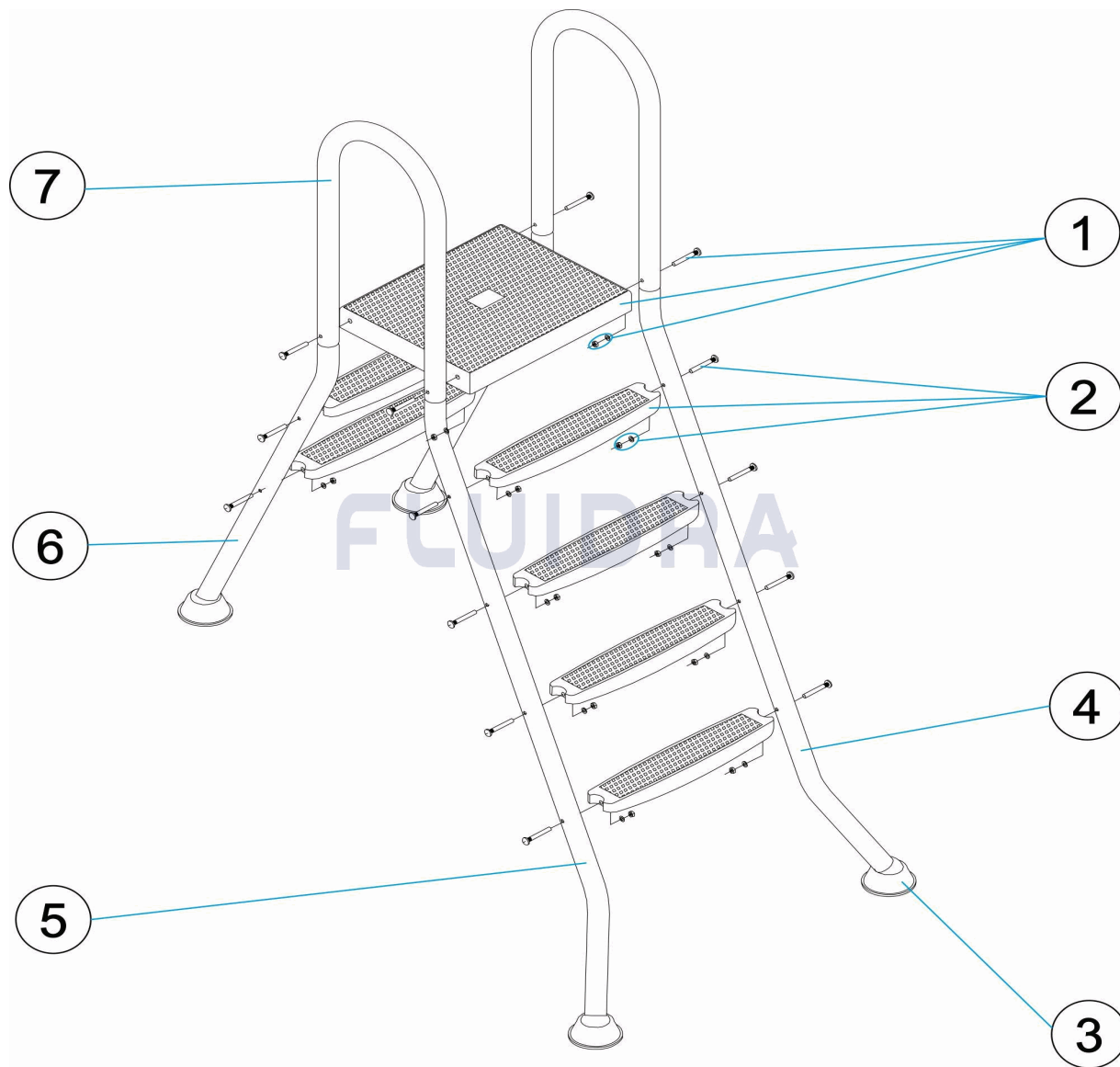


DEUTSCH

POS	CODE	BESCHREIBUNG	MENGE	POS	CODE	BESCHREIBUNG	MENGE
1	4401011403	STUFE KUNSTSTOFF		5	00026R0003	HANDLAUF LINKS 4 STUFEN	
2	4401010026	STUFE KUNSTSTOFF 500 GENEIGT A4		6	14532R0100	HANDLAUF RECHTS 4 STUFEN	
3	4401010501	BEWEGLICHER ABSCHLUSS		7	00025R0001	VERBINDUNGSBRÜCKE	
4	00026R0002	HANDLAUF RECHTS 4 STUFEN					

CODIGO **14532**

DESCRIÇÃO: **ESCADA PISCINA SEMI-ELEVADA**



PORTUGUES

POS	CODIGO	DESCRIÇÃO	JANTIDADE	POS	CODIGO	DESCRIÇÃO	JANTIDADE
1	4401011403	DEGRAU PLÁSTICO		5	00026R0003	CORRIMÃO ESQUERDO 4 DEGRAUS	
2	4401010026	DEGRAU PLÁSTICO 500 INCLINADO A4		6	14532R0100	CORRIMÃO DIREITO 4 DEGRAUS	
3	4401010501	BATENTE ARTICULADA		7	00025R0001	PONTE UNIÃO	
4	00026R0002	CORRIMÃO DIREITO 4 DEGRAUS					