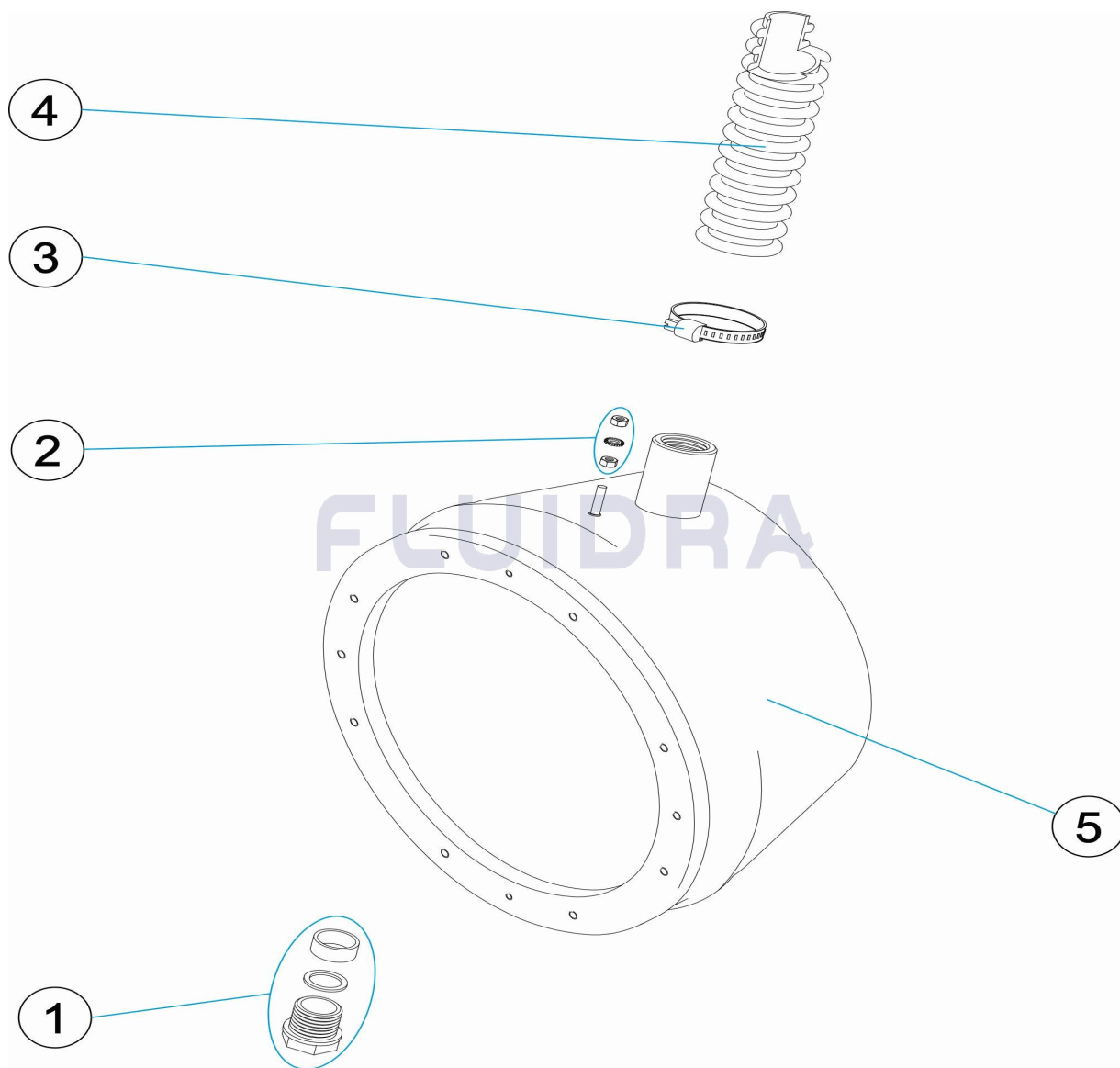


CODIGO **07531**

DESCRIPCION: **FONDO FOCO**

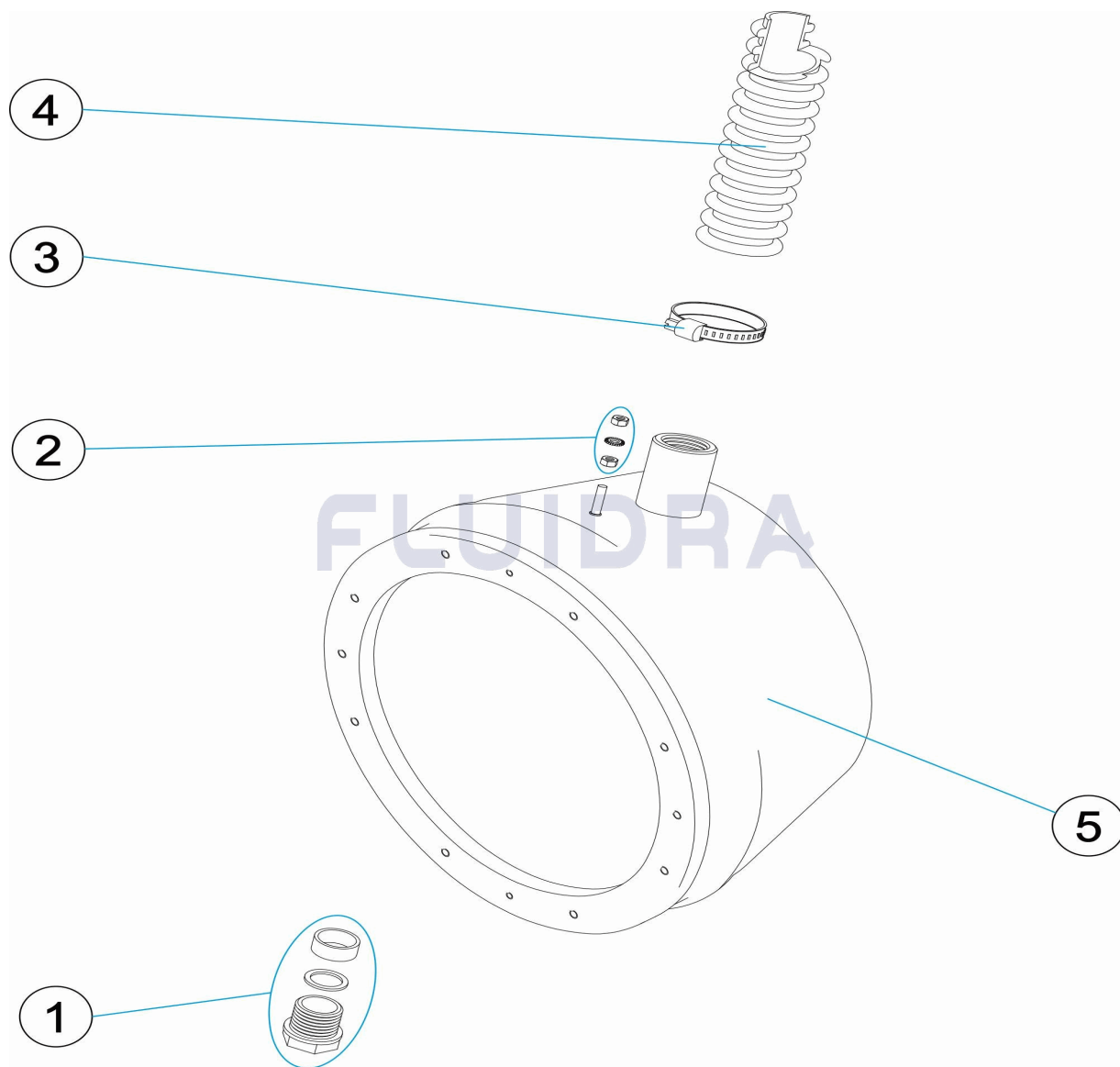


**ESPAÑOL**

POS	CODIGO	DESCRIPCION	CANTIDAD	POS	CODIGO	DESCRIPCION	CANTIDAD
1	4403010505	PRENSAESTOPAS PROYECTOR	4	4403010153	ROLLO 25M TUBO		
2	4403010113	TOMA DE TIERRA	5	00358R0100	FONDO FOCO		
3	4403010180	BRIDA MIKALOR 25X40					

CODE **07531**

DESCRIPTION: **FOND PROJECTEUR**

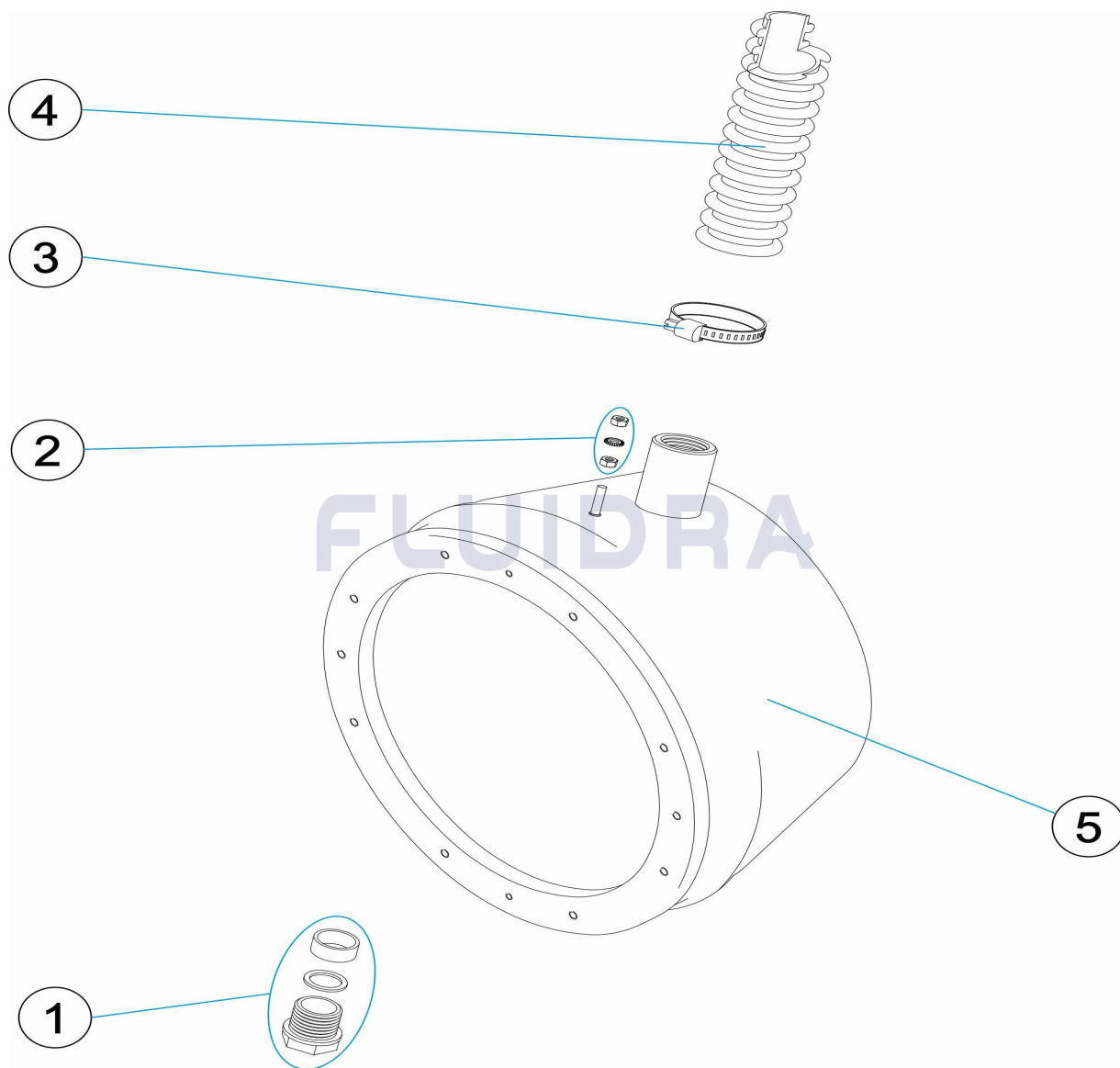


**FRANCAIS**

POS	CODE	DESCRIPTION	QUANTITE	POS	CODE	DESCRIPTION	QUANTITE
1	4403010505	PRESSE ETOUPE	4	4403010153	ROULEAU 25M TUBE		
2	4403010113	PRISE DE TERRE	5	00358R0100	FOND PROJECTEUR		
3	4403010180	BRIDE 25X40					

CODE **07531**

DESCRIPTION: **DEEP END LIGHT**

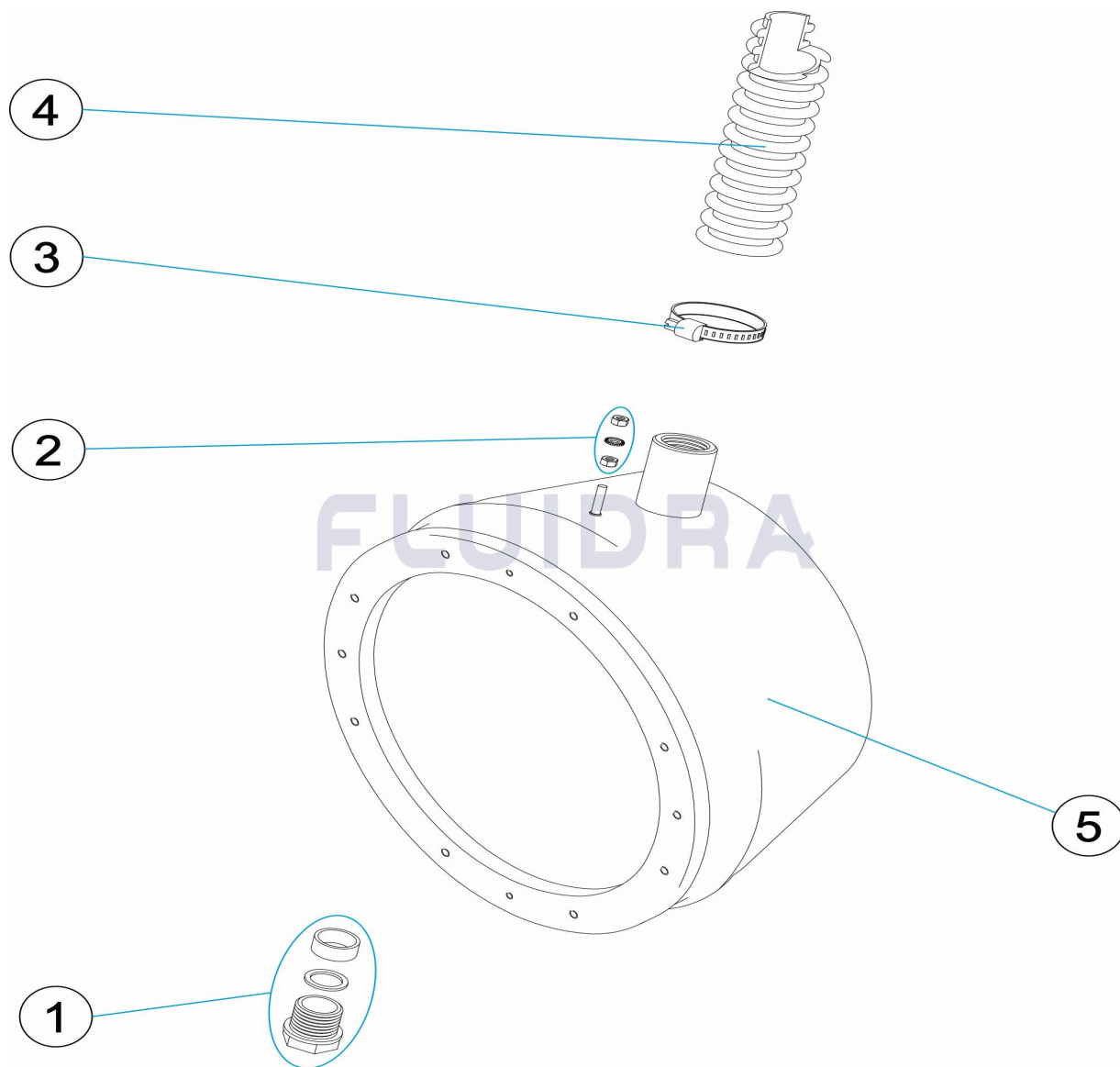


**ENGLISH**

POS	CODE	DESCRIPTION	QUANTITY	POS	CODE	DESCRIPTION	QUANTITY
1	4403010505	PACKING GLAND GASKET	4	4403010153	ROLL 25M TUBE		
2	4403010113	EARTH CONNECTION	5	00358R0100	DEEP END LIGHT		
3	4403010180	MIKALOR GASKET 25 X 40					

CODICE **07531**

DESCRIZIONE: **FONDO FUOCO**

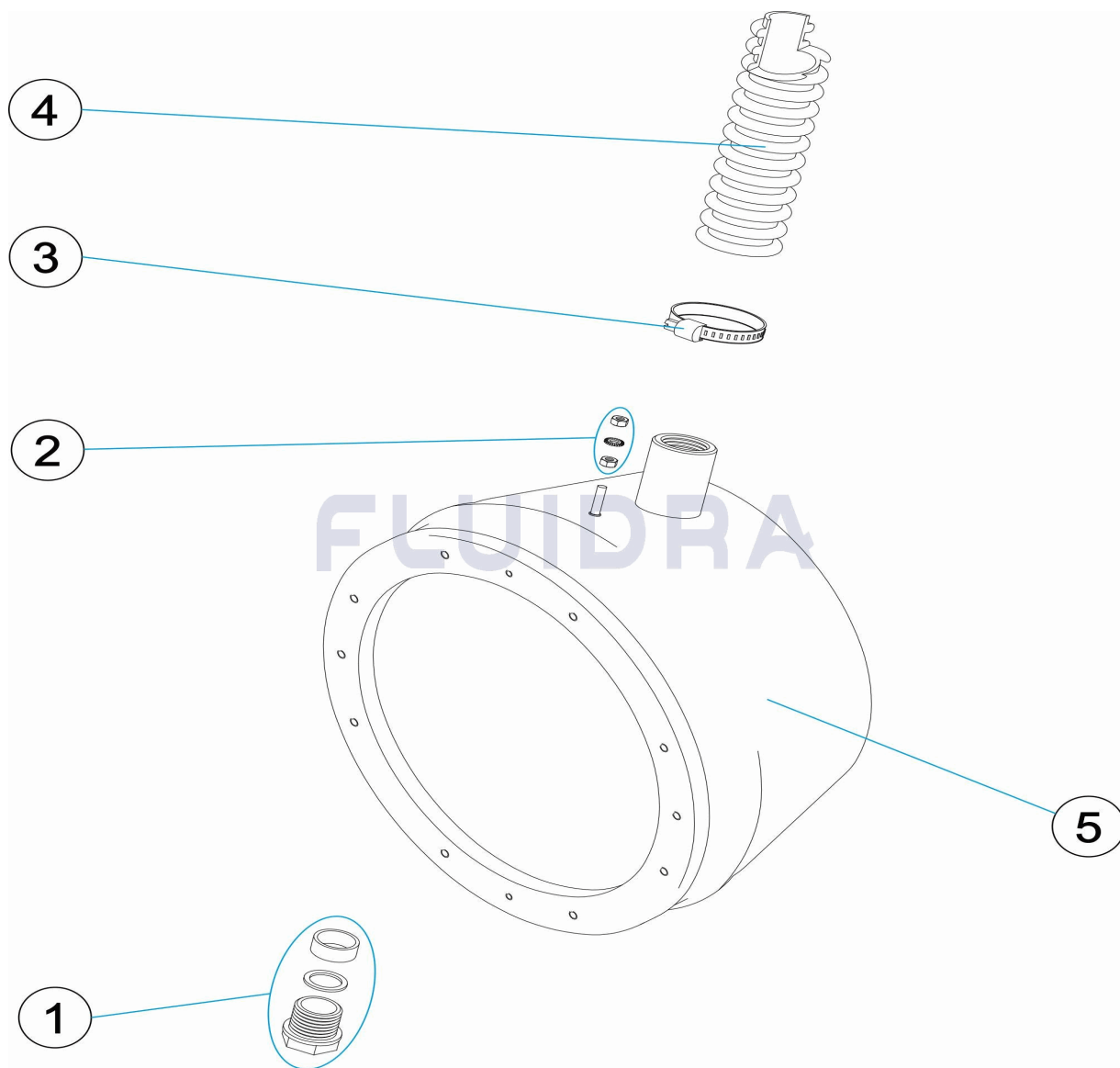


**ITALIANO**

POS	CODICE	DESCRIZIONE	QUANTITA'	POS	CODICE	DESCRIZIONE	QUANTITA'
1	4403010505	GUARNIZIONE PRESSACAVI		4	4403010153	BOBINA 25M TUBO	
2	4403010113	PRESA A TERRA		5	00358R0100	FONDO FUOCO	
3	4403010180	FLANGIA MIKALOR 25X40					

CODE **07531**

BESCHREIBUNG: **BASIS UWS**

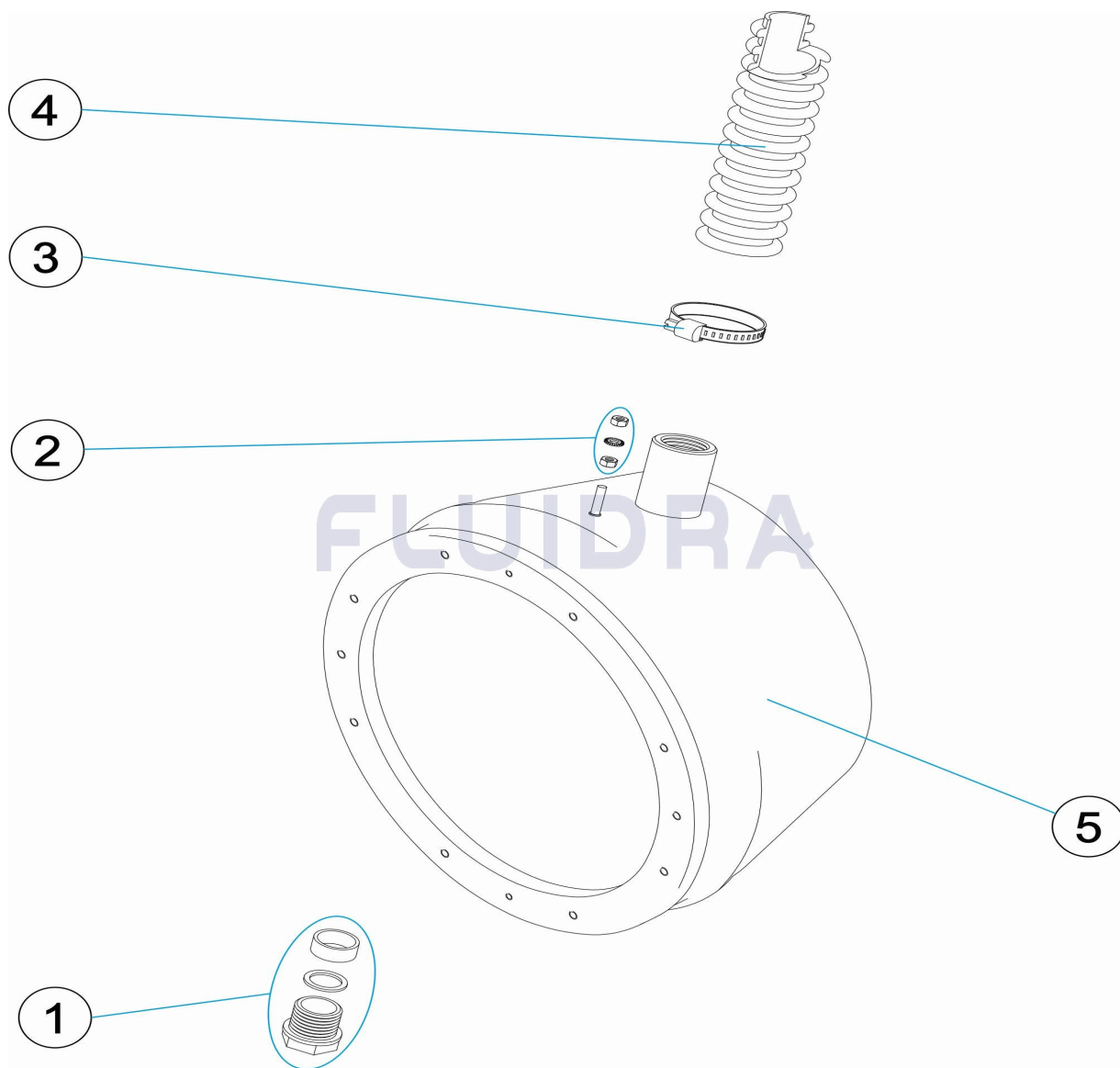


**DEUTSCH**

POS	CODE	BESCHREIBUNG	MENGE	POS	CODE	BESCHREIBUNG	MENGE
1	4403010505	QUETSCHVERSCHRAUBUNG UWS	4	4403010153	RÖHRENROLLE 25M		
2	4403010113	ERDUNG	5	00358R0100	BASIS UWS		
3	4403010180	FLANSCH MIKALOR 25 X 40					

CODIGO **07531**

DESCRIÇÃO: **FOCO DE FUNDO**



**PORTUGUES**

POS	CODIGO	DESCRIÇÃO	JANTIDADE	POS	CODIGO	DESCRIÇÃO	JANTIDADE
1	4403010505	JUNTA BUCIN		4	4403010153	ROLO 25M TUBO	
2	4403010113	LIGAÇÃO A TERRA		5	00358R0100	FOCO DE FUNDO	
3	4403010180	FLANGE MIKALOR 25X40					