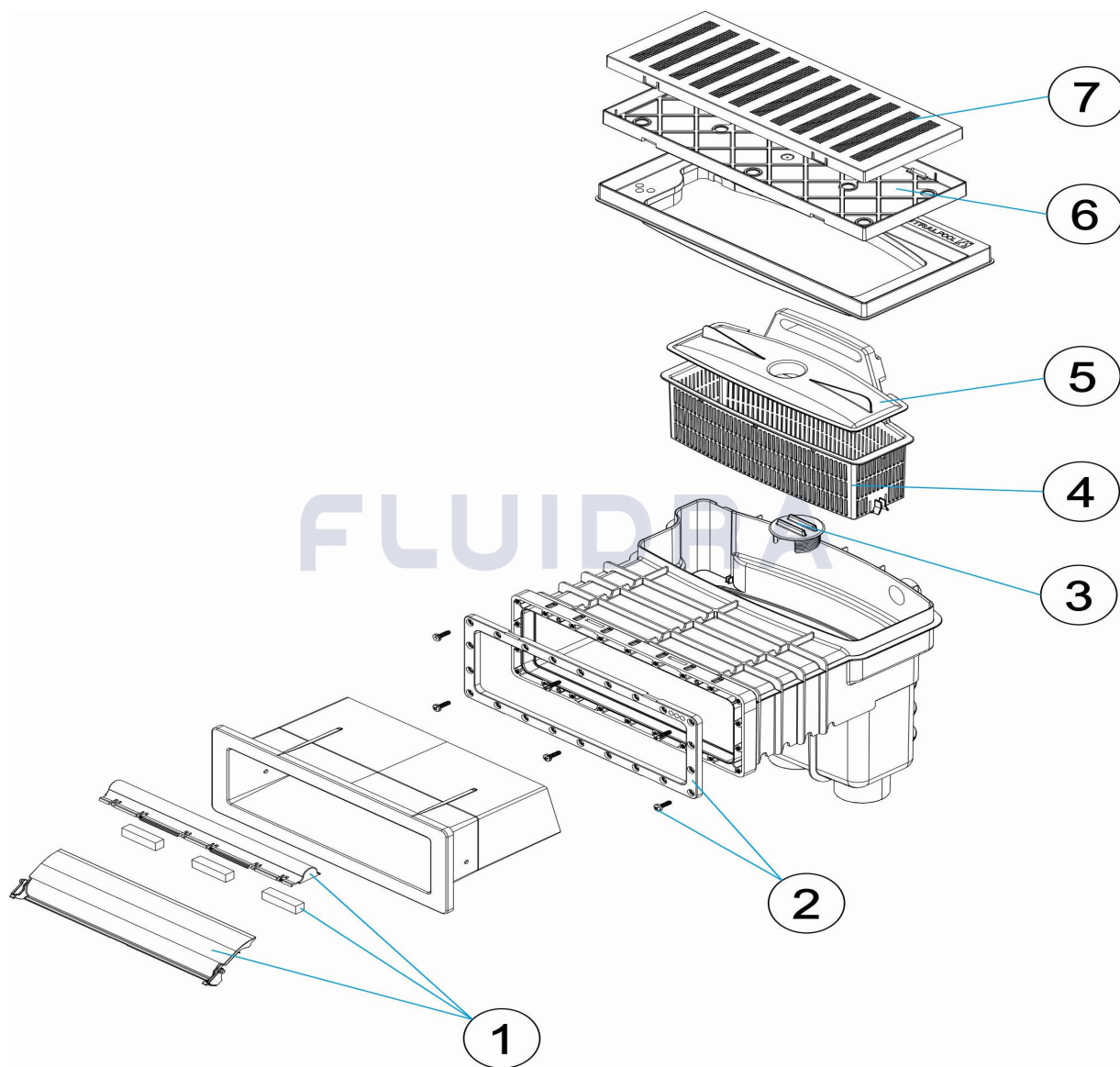


CODIGO **74457, 74458, 74830, 74831**

DESCRIPCION: **SK UNIK PISCINA HORMIGON ROSCA METRICA / AUTORROSCA**



ESPAÑOL

POS	CODIGO	DESCRIPCION	CANTIDAD	POS	CODIGO	DESCRIPCION	CANTIDAD
1	* 4402010192	CJTO. COMPUERTA SKIMMER		6	* 4402010200	TAPA SKIMMER	
1	* 4402010193	CJTO. COMPUERTA SKIMMER		6	* 4402010201	TAPA SKIMMER	
1	* 4402010194	CJTO. COMPUERTA SKIMMER		6	* 4402010202	TAPA SKIMMER	
1	* 4402010195	CJTO. COMPUERTA SKIMMER		6	* 4402010203	TAPA SKIMMER	
2	* 4402010196	BRIDA BOCA SKIMMER		7	* 4402010204	TAPA SUPERIOR SKIMMER	
2	* 4402010197	BRIDA BOCA SKIMMER		7	* 4402010205	TAPA SUPERIOR SKIMMER	
3	4402010502	TAPON REGULADOR		7	* 4402010206	TAPA SUPERIOR SKIMMER	
4	4402010198	CESTO SKIMMER		7	* 4402010208	TAPA SUPERIOR SKIMMER	
5	4402010199	TAPA CESTO SKIMMER					

CODIGO 74457, 74458, 74830, 74831

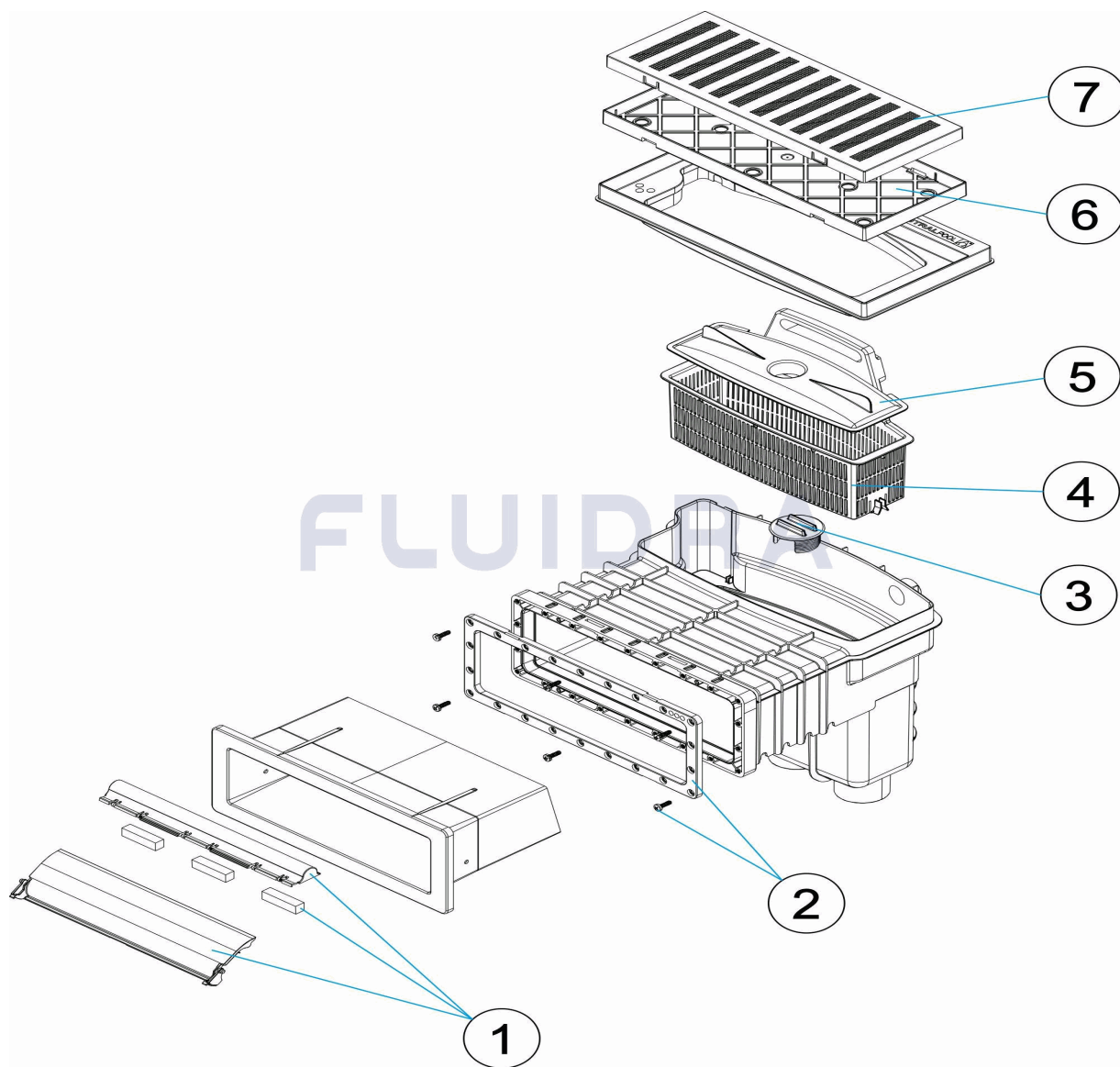
DESCRIPCION: SK UNIK PISCINA HORMIGON ROSCA METRICA / AUTORROSCA

OBSERVACIONES

POS	CODIGO	OBSERVACIONES
1	* 4402010192	PARA: 74457, 74458 WHITE
1	* 4402010193	PARA: 74457, 74458 BEIGE
1	* 4402010194	PARA: 74457, 74458 GREY
1	* 4402010195	PARA: 74457, 74458 ANTHRACITE
2	* 4402010196	PARA: 74457, 74830
2	* 4402010197	PARA: 74458, 74831
6	* 4402010200	PARA: 74457, 74458 WHITE
6	* 4402010201	PARA: 74457, 74458 BEIGE
6	* 4402010202	PARA: 74457, 74458 GREY
6	* 4402010203	PARA: 74457, 74458 ANTHRACITE
7	* 4402010204	PARA: 74457, 74458 WHITE
7	* 4402010205	PARA: 74457, 74458 BEIGE
7	* 4402010206	PARA: 74457, 74458 GREY
7	* 4402010208	PARA: 74457, 74458 ANTHRACITE

CODE 74457, 74458, 74830, 74831

DESCRIPTION: SK UNIK PISCINE BÉTON AVEC INSERTS / AUTOTARAUDEUSE



FRANCAIS

POS	CODE	DESCRIPTION	QUANTITE	POS	CODE	DESCRIPTION	QUANTITE
1	* 4402010192	COLET DE SKIMMER		6	* 4402010200	COUVERCLE SKIMMER	
1	* 4402010193	COLET DE SKIMMER		6	* 4402010201	COUVERCLE SKIMMER	
1	* 4402010194	COLET DE SKIMMER		6	* 4402010202	COUVERCLE SKIMMER	
1	* 4402010195	COLET DE SKIMMER		6	* 4402010203	COUVERCLE SKIMMER	
2	* 4402010196	BRIDE DE BOUCHE SKIMMER		7	* 4402010204	COUVERCLE SUPÉRIEUR SKIMMER	
2	* 4402010197	BRIDE DE BOUCHE SKIMMER		7	* 4402010205	COUVERCLE SUPÉRIEUR SKIMMER	
3	4402010502	BOUCHON REGULATEUR		7	* 4402010206	COUVERCLE SUPÉRIEUR SKIMMER	
4	4402010198	PANIER SKIMMER		7	* 4402010208	COUVERCLE SUPÉRIEUR SKIMMER	
5	4402010199	COUVERCLE PANIER SKIMMER					

CODE **74457, 74458, 74830, 74831**

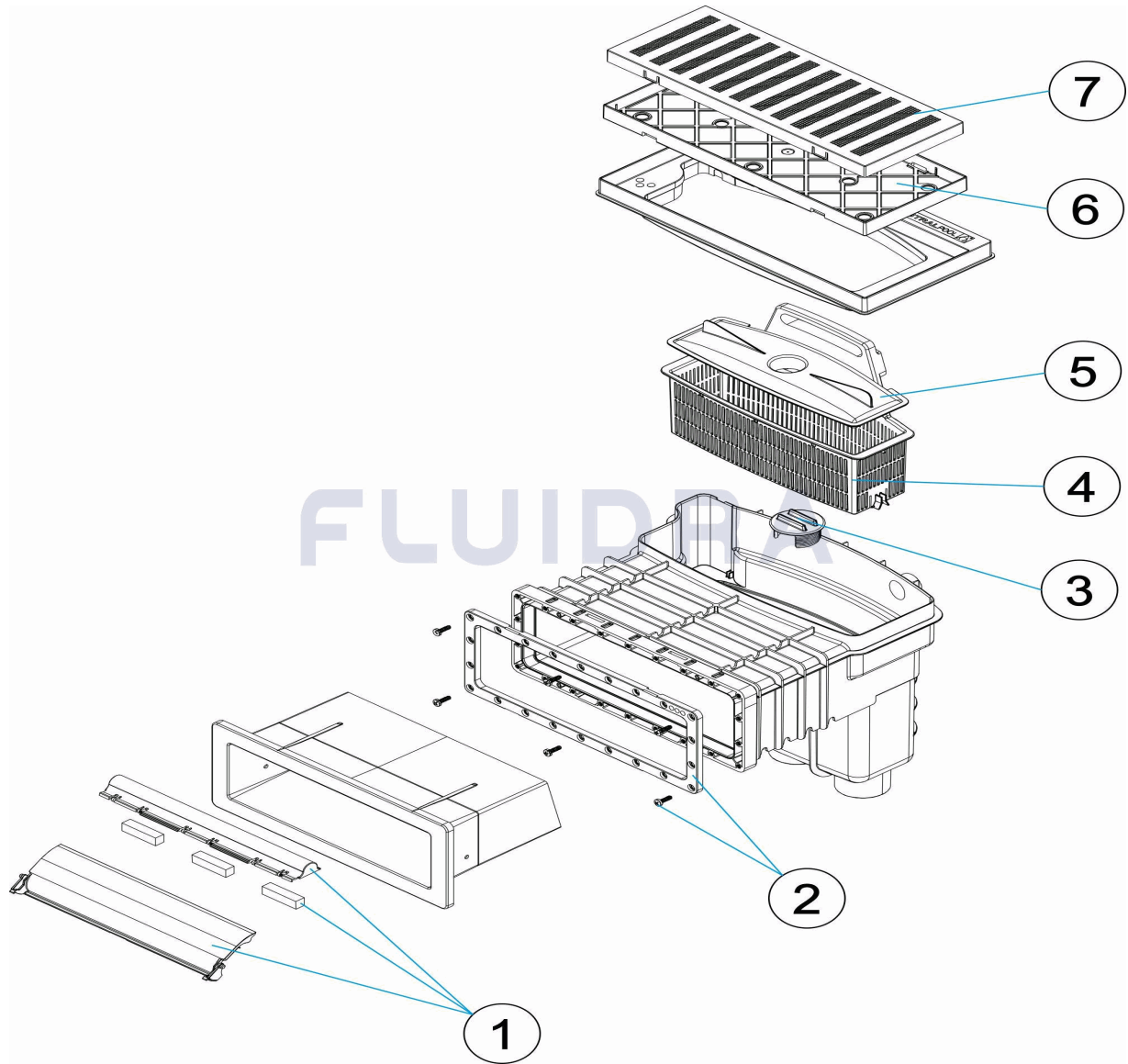
DESCRIPTION: **SK UNIK PISCINE BÉTON AVEC INSERTS / AUTOTARAUEUSE**

OBSERVATIONS

POS	CODE	OBSERVATIONS
1	* 4402010192	POUR: 74457, 74458 WHITE
1	* 4402010193	POUR: 74457, 74458 BEIGE
1	* 4402010194	POUR: 74457, 74458 GREY
1	* 4402010195	POUR: 74457, 74458 ANTHRACITE
2	* 4402010196	POUR: 74457, 74830
2	* 4402010197	POUR: 74458, 74831
6	* 4402010200	POUR: 74457, 74458 WHITE
6	* 4402010201	POUR: 74457, 74458 BEIGE
6	* 4402010202	POUR: 74457, 74458 GREY
6	* 4402010203	POUR: 74457, 74458 ANTHRACITE
7	* 4402010204	POUR: 74457, 74458 WHITE
7	* 4402010205	POUR: 74457, 74458 BEIGE
7	* 4402010206	POUR: 74457, 74458 GREY
7	* 4402010208	POUR: 74457, 74458 ANTHRACITE

CODE 74457, 74458, 74830, 74831

DESCRIPTION: SK UNIK CONCRETE POOL WITH INSERTS / THREAD-FORMING SCREW



ENGLISH

POS	CODE	DESCRIPTION	QUANTITY	POS	CODE	DESCRIPTION	QUANTITY
1	* 4402010192	SKIMMER FLAP		6	* 4402010200	SKIMMER LID	
1	* 4402010193	SKIMMER FLAP		6	* 4402010201	SKIMMER LID	
1	* 4402010194	SKIMMER FLAP		6	* 4402010202	SKIMMER LID	
1	* 4402010195	SKIMMER FLAP		6	* 4402010203	SKIMMER LID	
2	* 4402010196	FLANGE MOUTH WITH SKIMMER		7	* 4402010204	SKIMMER UPPER COVER	
2	* 4402010197	FLANGE MOUTH WITH SKIMMER		7	* 4402010205	SKIMMER UPPER COVER	
3	4402010502	REGULATING PLUG		7	* 4402010206	SKIMMER UPPER COVER	
4	4402010198	SKIMMER BASKET		7	* 4402010208	SKIMMER UPPER COVER	
5	4402010199	VACUUM PLATE					

CODE **74457, 74458, 74830, 74831**

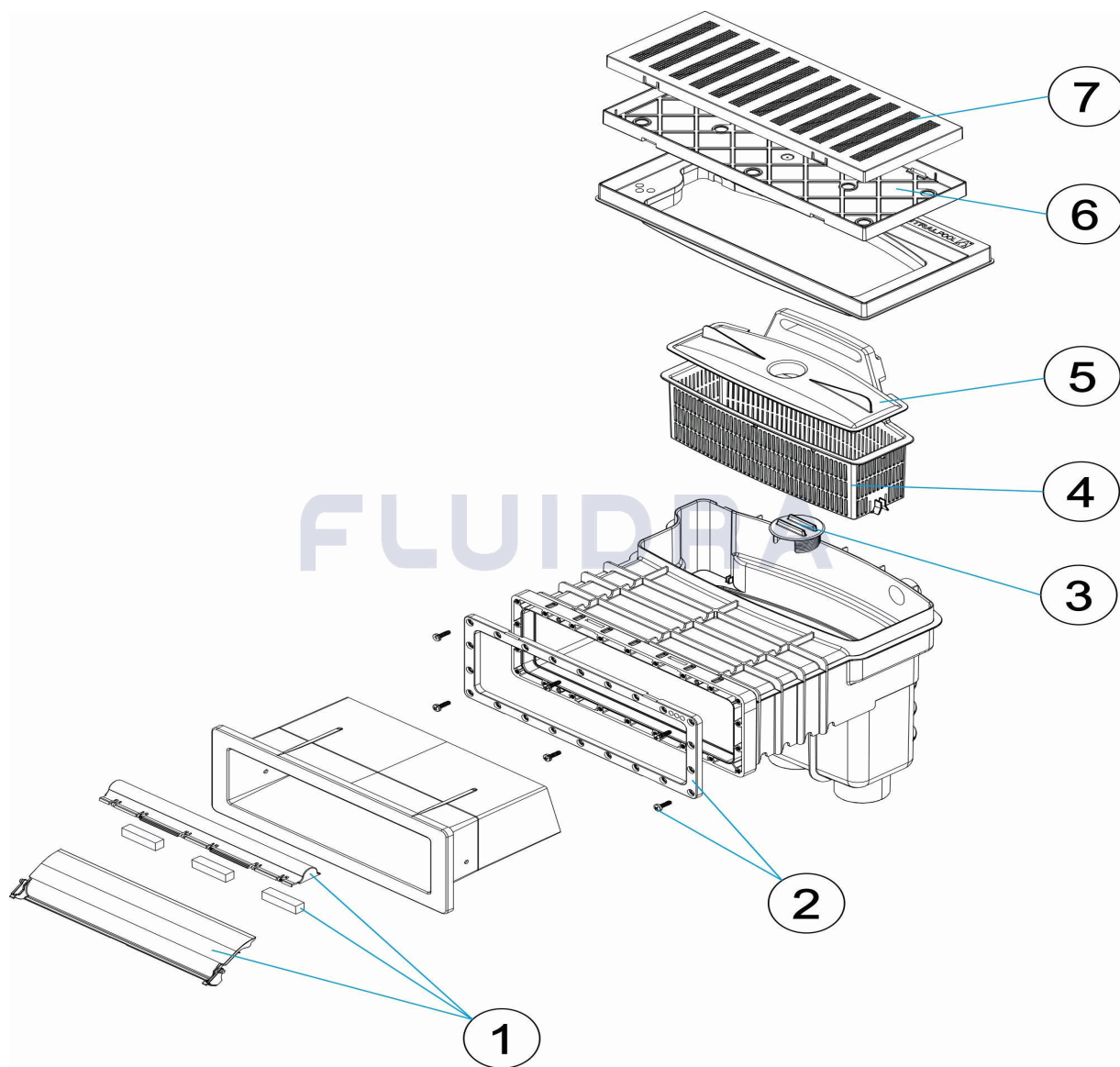
DESCRIPTION: **SK UNIK CONCRETE POOL WITH INSERTS / THREAD-FORMING SCREW**

OBSERVATIONS

POS	CODE	OBSERVATIONS
1	* 4402010192	FOR: 74457, 74458 WHITE
1	* 4402010193	FOR: 74457, 74458 BEIGE
1	* 4402010194	FOR: 74457, 74458 GREY
1	* 4402010195	FOR: 74457, 74458 ANTHRACITE
2	* 4402010196	FOR: 74457, 74830
2	* 4402010197	FOR: 74458, 74831
6	* 4402010200	FOR: 74457, 74458 WHITE
6	* 4402010201	FOR: 74457, 74458 BEIGE
6	* 4402010202	FOR: 74457, 74458 GREY
6	* 4402010203	FOR: 74457, 74458 ANTHRACITE
7	* 4402010204	FOR: 74457, 74458 WHITE
7	* 4402010205	FOR: 74457, 74458 BEIGE
7	* 4402010206	FOR: 74457, 74458 GREY
7	* 4402010208	FOR: 74457, 74458 ANTHRACITE

CODICE **74457, 74458, 74830, 74831**

DESCRIZIONE: **SK UNIK PISCINA CEMENTO CON INSERTI / AUTOFIETTANTE**



ITALIANO

POS	CODICE	DESCRIZIONE	QUANTITA'	POS	CODICE	DESCRIZIONE	QUANTITA'
1	* 4402010192	BATTENTE SKIMMER		6	* 4402010200	COPERCHIO SKIMMER	
1	* 4402010193	BATTENTE SKIMMER		6	* 4402010201	COPERCHIO SKIMMER	
1	* 4402010194	BATTENTE SKIMMER		6	* 4402010202	COPERCHIO SKIMMER	
1	* 4402010195	BATTENTE SKIMMER		6	* 4402010203	COPERCHIO SKIMMER	
2	* 4402010196	FLANGIA BOCCHETTASKIMMER		7	* 4402010204	COPERCHIO SUPERIORE SKIMMER	
2	* 4402010197	FLANGIA BOCCHETTASKIMMER		7	* 4402010205	COPERCHIO SUPERIORE SKIMMER	
3	4402010502	TAPPO DI REGOLAZIONE		7	* 4402010206	COPERCHIO SUPERIORE SKIMMER	
4	4402010198	CESTELLO SKIMMER		7	* 4402010208	COPERCHIO SUPERIORE SKIMMER	
5	4402010199	COPERCHIO CESTELLO SKIMMER					

CODICE **74457, 74458, 74830, 74831**

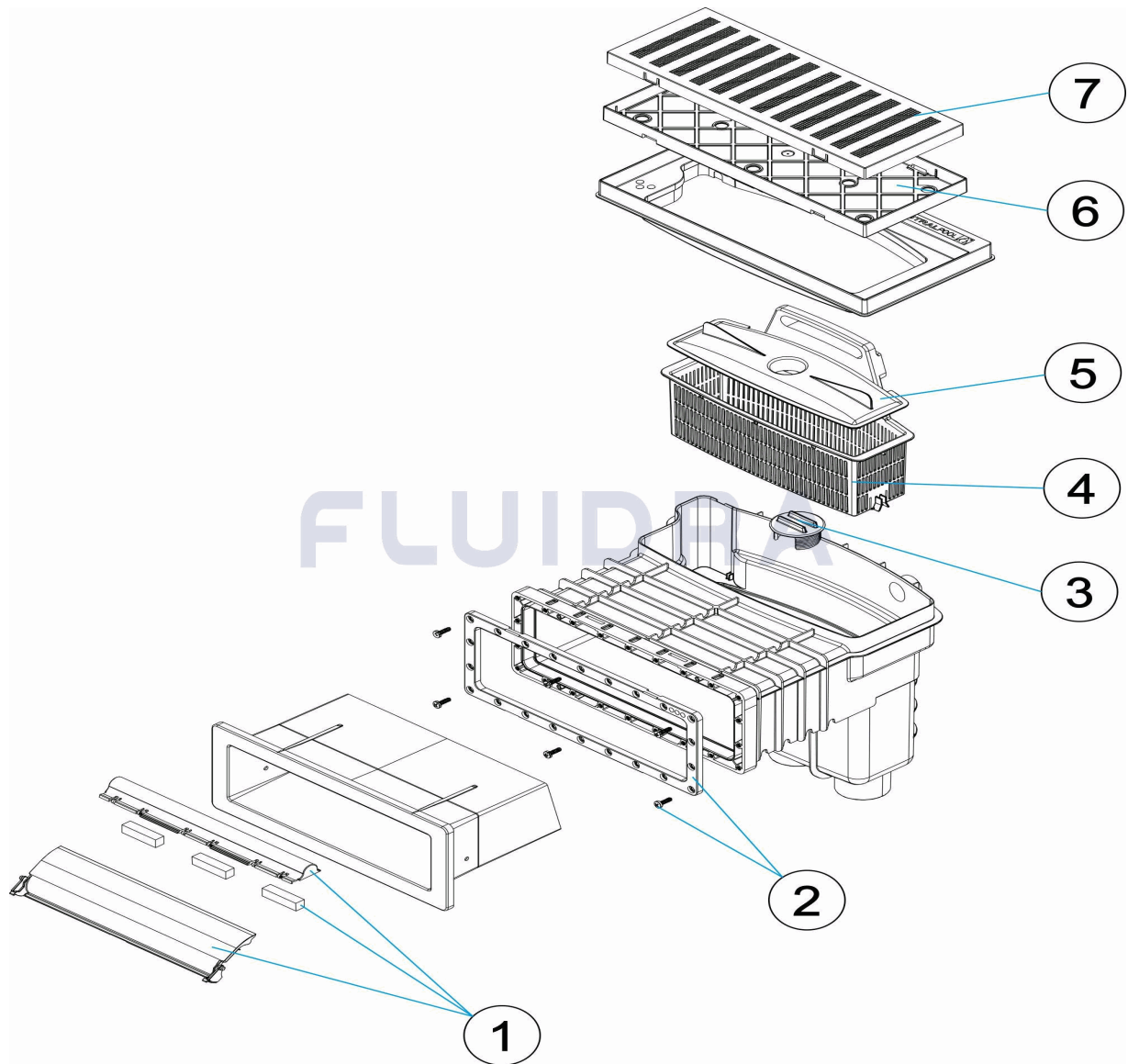
DESCRIZIONE: **SK UNIK PISCINA CEMENTO CON INSERTI / AUTOFILETTANTE**

OSSERVAZIONI

POS	CODICE	OSSERVAZIONI
1	* 4402010192	PER: 74457, 74458 WHITE
1	* 4402010193	PER: 74457, 74458 BEIGE
1	* 4402010194	PER: 74457, 74458 GREY
1	* 4402010195	PER: 74457, 74458 ANTHRACITE
2	* 4402010196	PER: 74457, 74830
2	* 4402010197	PER: 74458, 74831
6	* 4402010200	PER: 74457, 74458 WHITE
6	* 4402010201	PER: 74457, 74458 BEIGE
6	* 4402010202	PER: 74457, 74458 GREY
6	* 4402010203	PER: 74457, 74458 ANTHRACITE
7	* 4402010204	PER: 74457, 74458 WHITE
7	* 4402010205	PER: 74457, 74458 BEIGE
7	* 4402010206	PER: 74457, 74458 GREY
7	* 4402010208	PER: 74457, 74458 ANTHRACITE

CODE 74457, 74458, 74830, 74831

BESCHREIBUNG: SK UNIK BETONBECKEN METRISCHES GEWINDE / SELBSTBOHREND



DEUTSCH

POS	CODE	BESCHREIBUNG	MENGE	POS	CODE	BESCHREIBUNG	MENGE
1	* 4402010192	SET SKIMMERKLAPPE		6	* 4402010200	ABDECKUNG SKIMMER	
1	* 4402010193	SET SKIMMERKLAPPE		6	* 4402010201	ABDECKUNG SKIMMER	
1	* 4402010194	SET SKIMMERKLAPPE		6	* 4402010202	ABDECKUNG SKIMMER	
1	* 4402010195	SET SKIMMERKLAPPE		6	* 4402010203	ABDECKUNG SKIMMER	
2	* 4402010196	FLANSCH SKIMMEREINLASS		7	* 4402010204	ABDECKUNG OBEN SKIMMER	
2	* 4402010197	FLANSCH SKIMMEREINLASS		7	* 4402010205	ABDECKUNG OBEN SKIMMER	
3	4402010502	STOPFEN REGULIERUNG		7	* 4402010206	ABDECKUNG OBEN SKIMMER	
4	4402010198	SKIMMERKORB		7	* 4402010208	ABDECKUNG OBEN SKIMMER	
5	4402010199	ABDECKUNG SKIMMKORB					

CODE **74457, 74458, 74830, 74831**

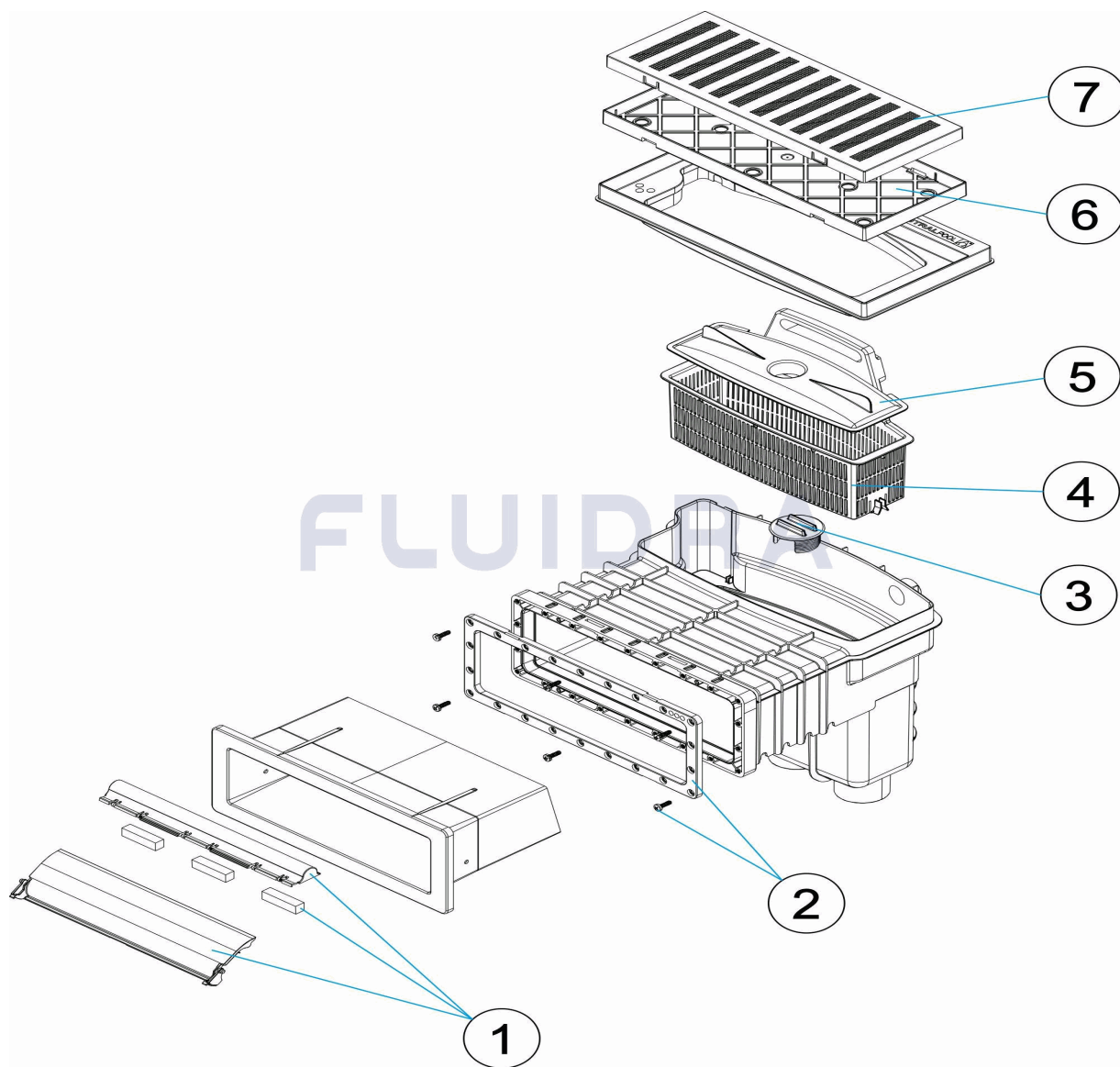
BESCHREIBUNG: **SK UNIK BETONBECKEN METRISCHES GEWINDE / SELBSTBOHREND**

HINWEISE

POS	CODE	HINWEISE
1	* 4402010192	FÜR: 74457, 74458 WHITE
1	* 4402010193	FÜR: 74457, 74458 BEIGE
1	* 4402010194	FÜR: 74457, 74458 GREY
1	* 4402010195	FÜR: 74457, 74458 ANTHRACITE
2	* 4402010196	FÜR: 74457, 74830
2	* 4402010197	FÜR: 74458, 74831
6	* 4402010200	FÜR: 74457, 74458 WHITE
6	* 4402010201	FÜR: 74457, 74458 BEIGE
6	* 4402010202	FÜR: 74457, 74458 GREY
6	* 4402010203	FÜR: 74457, 74458 ANTHRACITE
7	* 4402010204	FÜR: 74457, 74458 WHITE
7	* 4402010205	FÜR: 74457, 74458 BEIGE
7	* 4402010206	FÜR: 74457, 74458 GREY
7	* 4402010208	FÜR: 74457, 74458 ANTHRACITE

CODIGO **74457, 74458, 74830, 74831**

DESCRIÇÃO: **SK UNIK PISCINA BETÃO COM INSERÇÕES / AUTO ROSCA**



PORTUGUES

POS	CODIGO	DESCRIÇÃO	JANTIDADE	POS	CODIGO	DESCRIÇÃO	JANTIDADE
1	* 4402010192	COMPORTA SKIMMER		6	* 4402010200	TAMPA SKIMMER	
1	* 4402010193	COMPORTA SKIMMER		6	* 4402010201	TAMPA SKIMMER	
1	* 4402010194	COMPORTA SKIMMER		6	* 4402010202	TAMPA SKIMMER	
1	* 4402010195	COMPORTA SKIMMER		6	* 4402010203	TAMPA SKIMMER	
2	* 4402010196	FLANGE BOCA SKIMMER		7	* 4402010204	TAMPA SUPERIOR SKIMMER	
2	* 4402010197	FLANGE BOCA SKIMMER		7	* 4402010205	TAMPA SUPERIOR SKIMMER	
3	4402010502	TAMPA REGULADORA		7	* 4402010206	TAMPA SUPERIOR SKIMMER	
4	4402010198	CESTO SKIMMER		7	* 4402010208	TAMPA SUPERIOR SKIMMER	
5	4402010199	TAMPA CESTO SKIMMER					

CODIGO **74457, 74458, 74830, 74831**

DESCRIÇÃO: **SK UNIK PISCINA BETÃO COM INSERÇÕES / AUTO ROSCA**

OBSERVAÇÕES

POS	CODIGO	OBSERVAÇÕES
1	* 4402010192	PARA: 74457, 74458 WHITE
1	* 4402010193	PARA: 74457, 74458 BEIGE
1	* 4402010194	PARA: 74457, 74458 GREY
1	* 4402010195	PARA: 74457, 74458 ANTHRACITE
2	* 4402010196	PARA: 74457, 74830
2	* 4402010197	PARA: 74458, 74831
6	* 4402010200	PARA: 74457, 74458 WHITE
6	* 4402010201	PARA: 74457, 74458 BEIGE
6	* 4402010202	PARA: 74457, 74458 GREY
6	* 4402010203	PARA: 74457, 74458 ANTHRACITE
7	* 4402010204	PARA: 74457, 74458 WHITE
7	* 4402010205	PARA: 74457, 74458 BEIGE
7	* 4402010206	PARA: 74457, 74458 GREY
7	* 4402010208	PARA: 74457, 74458 ANTHRACITE