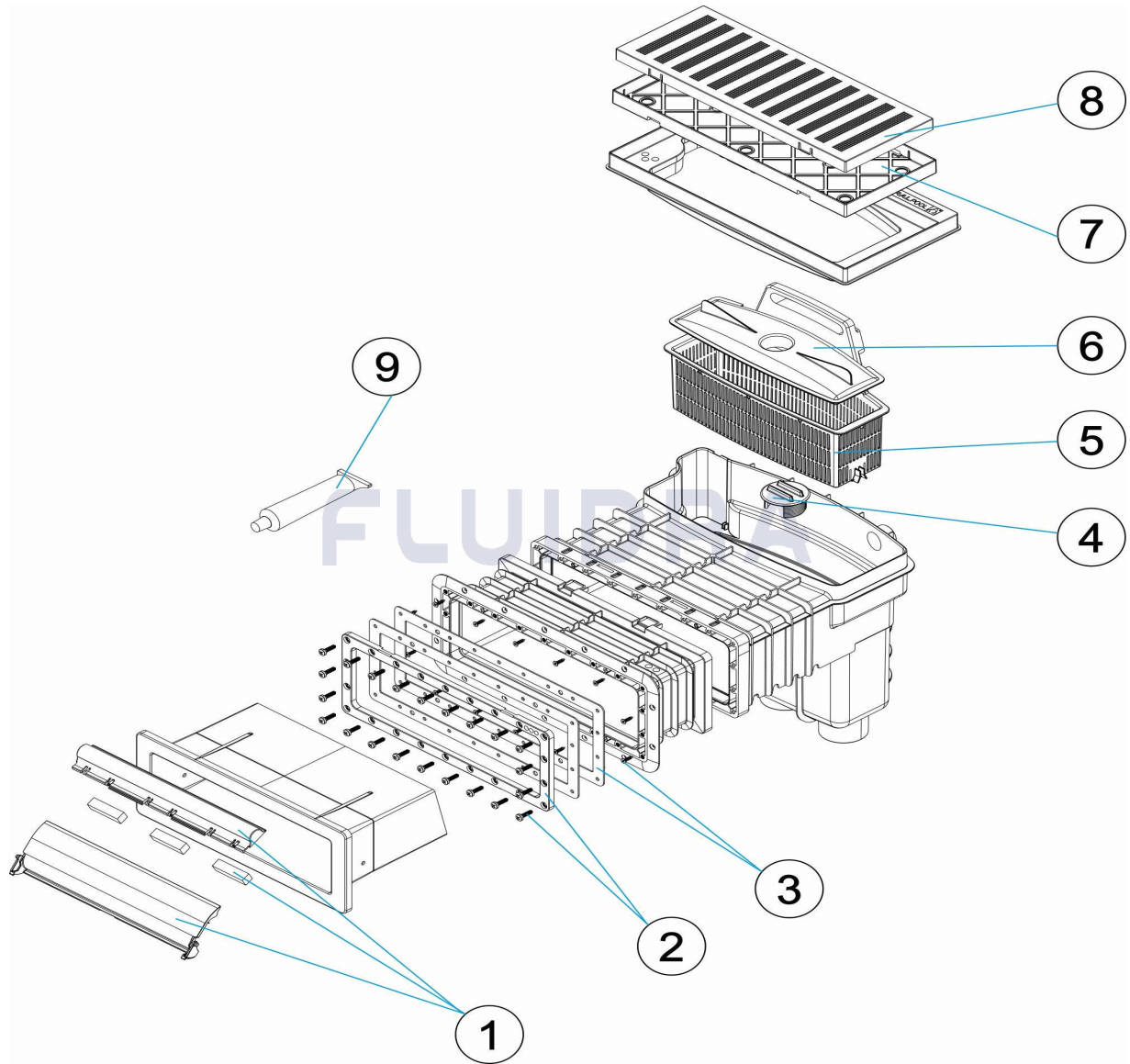


CODIGO 74461, 74462, 74834, 74835

DESCRIPCION: SK UNIK PISCINA PANELES ROSCA METRICA / AUTORROSCA



**ESPAÑOL**

POS	CODIGO	DESCRIPCION	CANTIDAD	POS	CODIGO	DESCRIPCION	CANTIDAD
1	* 4402010192	CJTO. COMPUERTA SKIMMER		7	* 4402010200	TAPA SKIMMER	
1	* 4402010193	CJTO. COMPUERTA SKIMMER		7	* 4402010201	TAPA SKIMMER	
1	* 4402010194	CJTO. COMPUERTA SKIMMER		7	* 4402010202	TAPA SKIMMER	
1	* 4402010195	CJTO. COMPUERTA SKIMMER		7	* 4402010203	TAPA SKIMMER	
2	* 4402010209	BRIDA BOCA SKIMMER		8	* 4402010204	TAPA SUPERIOR SKIMMER	
2	* 4402010212	BRIDA BOCA SKIMMER		8	* 4402010205	TAPA SUPERIOR SKIMMER	
3	4402010214	JUNTA SKIMMER		8	* 4402010206	TAPA SUPERIOR SKIMMER	
4	4402010502	TAPON REGULADOR		8	* 4402010208	TAPA SUPERIOR SKIMMER	
5	4402010198	CESTO SKIMMER		9	30884	ADHESIVO PARA ABS	
6	4402010199	TAPA CESTO SKIMMER					

**CODIGO 74461, 74462, 74834, 74835**

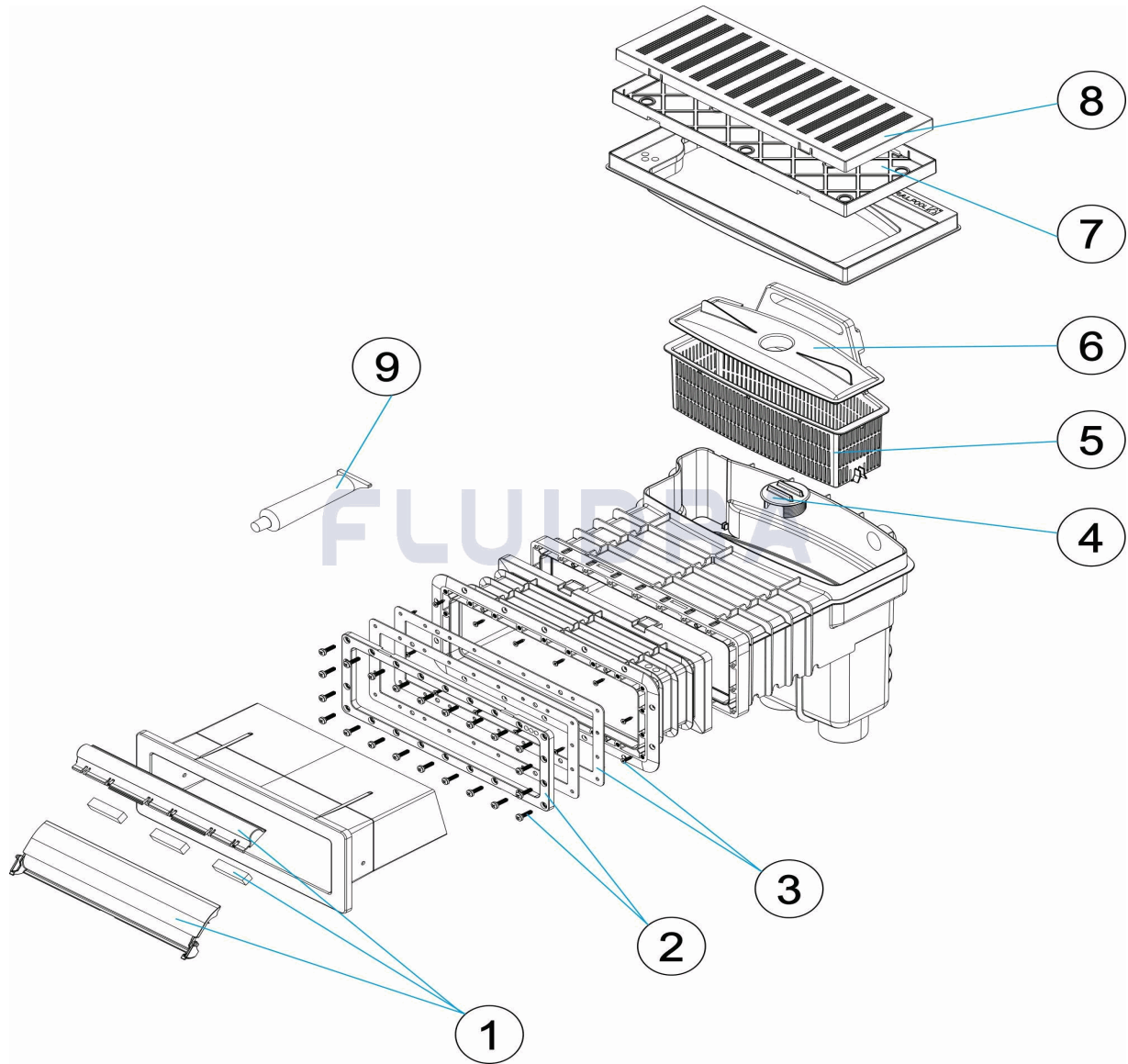
**DESCRIPCION: SK UNIK PISCINA PANELES ROSCA METRICA / AUTORROSCA**

## OBSERVACIONES

POS	CODIGO	OBSERVACIONES
1	* 4402010192	PARA: 74461, 74462 WHITE
1	* 4402010193	PARA: 74461, 74462 BEIGE
1	* 4402010194	PARA: 74461, 74462 GREY
1	* 4402010195	PARA: 74461, 74462 ANTHRACITE
2	* 4402010209	PARA: 74461, 74834
2	* 4402010212	PARA: 74462, 74835
7	* 4402010200	PARA: 74461, 74462 WHITE
7	* 4402010201	PARA: 74461, 74462 BEIGE
7	* 4402010202	PARA: 74461, 74462 GREY
7	* 4402010203	PARA: 74461, 74462 ANTHRACITE
8	* 4402010204	PARA: 74461, 74462 WHITE
8	* 4402010205	PARA: 74461, 74462 BEIGE
8	* 4402010206	PARA: 74461, 74462 GREY
8	* 4402010208	PARA: 74461, 74462 ANTHRACITE

CODE 74461, 74462, 74834, 74835

DESCRIPTION: SK UNIK PISCINE PANNEAUX AVEC INSERTS / AUTOTARAUDEUSE



FRANCAIS

POS	CODE	DESCRIPTION	QUANTITE	POS	CODE	DESCRIPTION	QUANTITE
1	* 4402010192	COLET DE SKIMMER		7	* 4402010200	COUVERCLE SKIMMER	
1	* 4402010193	COLET DE SKIMMER		7	* 4402010201	COUVERCLE SKIMMER	
1	* 4402010194	COLET DE SKIMMER		7	* 4402010202	COUVERCLE SKIMMER	
1	* 4402010195	COLET DE SKIMMER		7	* 4402010203	COUVERCLE SKIMMER	
2	* 4402010209	BRIDE DE BOUCHE SKIMMER		8	* 4402010204	COUVERCLE SUPERIEUR SKIMMER	
2	* 4402010212	BRIDE DE BOUCHE SKIMMER		8	* 4402010205	COUVERCLE SUPERIEUR SKIMMER	
3	4402010214	JOINT SKIMMER		8	* 4402010206	COUVERCLE SUPERIEUR SKIMMER	
4	4402010502	BOUCHON REGULATEUR		8	* 4402010208	COUVERCLE SUPERIEUR SKIMMER	
5	4402010198	PANIER SKIMMER		9	30884	ADHESIF POUR ABS	
6	4402010199	COUVERCLE PANIER SKIMMER					

CODE **74461, 74462, 74834, 74835**

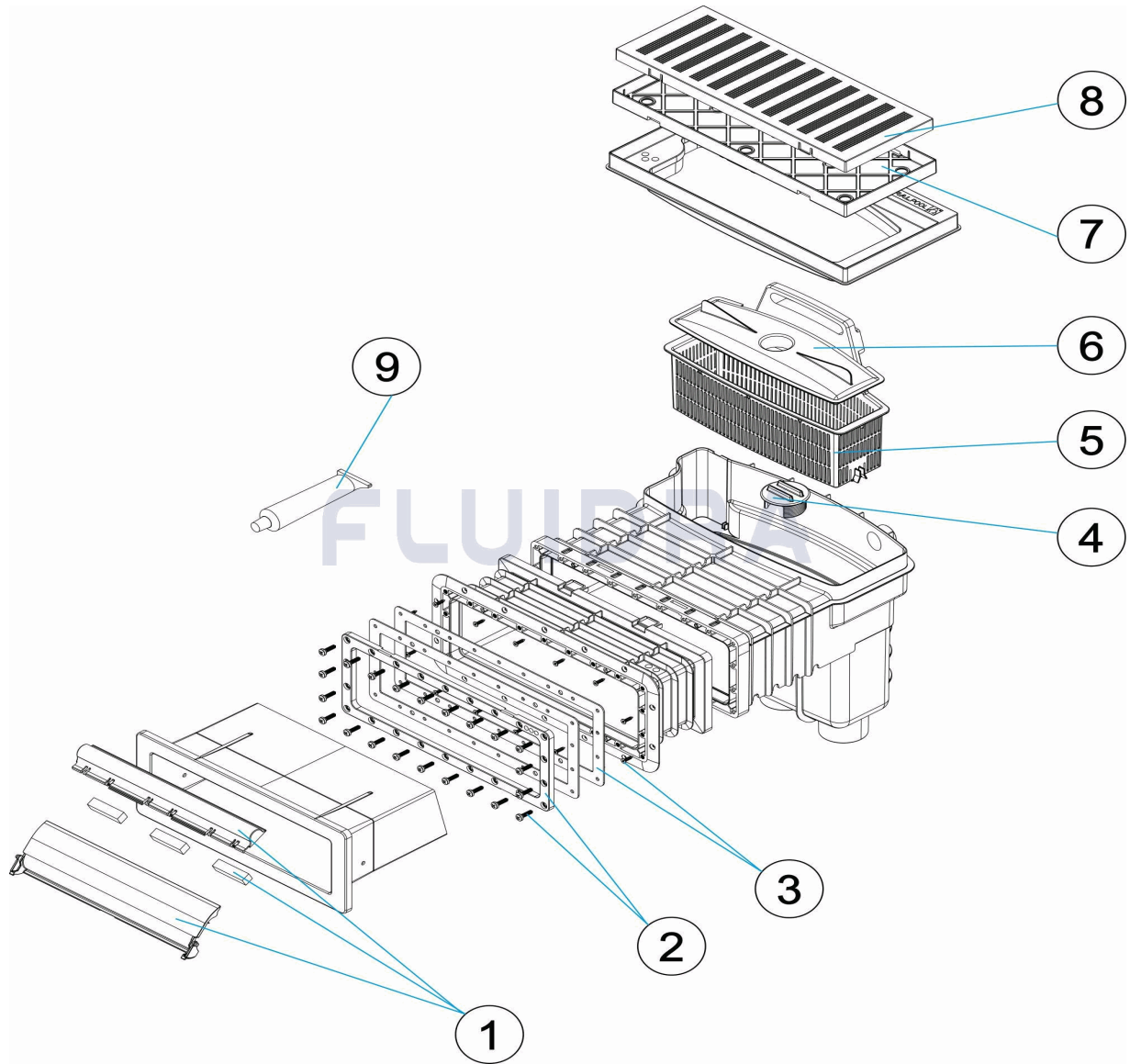
DESCRIPTION: **SK UNIK PISCINE PANNEAUX AVEC INSERTS / AUTOTARAUDEUSE**

## OBSERVATIONS

POS	CODE	OBSERVATIONS
1	* 4402010192	POUR: 74461, 74462 WHITE
1	* 4402010193	POUR: 74461, 74462 BEIGE
1	* 4402010194	POUR: 74461, 74462 GREY
1	* 4402010195	POUR: 74461, 74462 ANTHRACITE
2	* 4402010209	POUR: 74461, 74834
2	* 4402010212	POUR: 74462, 74835
7	* 4402010200	POUR: 74461, 74462 WHITE
7	* 4402010201	POUR: 74461, 74462 BEIGE
7	* 4402010202	POUR: 74461, 74462 GREY
7	* 4402010203	POUR: 74461, 74462 ANTHRACITE
8	* 4402010204	POUR: 74461, 74462 WHITE
8	* 4402010205	POUR: 74461, 74462 BEIGE
8	* 4402010206	POUR: 74461, 74462 GREY
8	* 4402010208	POUR: 74461, 74462 ANTHRACITE

CODE 74461, 74462, 74834, 74835

DESCRIPTION: SK UNIK PANEL POOL WITH INSERTS / THREAD-FORMING SCREW



**ENGLISH**

POS	CODE	DESCRIPTION	QUANTITY	POS	CODE	DESCRIPTION	QUANTITY
1	* 4402010192	SKIMMER FLAP		7	* 4402010200	SKIMMER LID	
1	* 4402010193	SKIMMER FLAP		7	* 4402010201	SKIMMER LID	
1	* 4402010194	SKIMMER FLAP		7	* 4402010202	SKIMMER LID	
1	* 4402010195	SKIMMER FLAP		7	* 4402010203	SKIMMER LID	
2	* 4402010209	FLANGE MOUTH WITH SKIMMER		8	* 4402010204	SKIMMER UPPER COVER	
2	* 4402010212	FLANGE MOUTH WITH SKIMMER		8	* 4402010205	SKIMMER UPPER COVER	
3	4402010214	SKIMMER GASKET		8	* 4402010206	SKIMMER UPPER COVER	
4	4402010502	REGULATING PLUG		8	* 4402010208	SKIMMER UPPER COVER	
5	4402010198	SKIMMER BASKET		9	30884	ADHESIVE FOR ABS	
6	4402010199	VACUUM PLATE					

CODE **74461, 74462, 74834, 74835**

DESCRIPTION: **SK UNIK PANEL POOL WITH INSERTS / THREAD-FORMING SCREW**

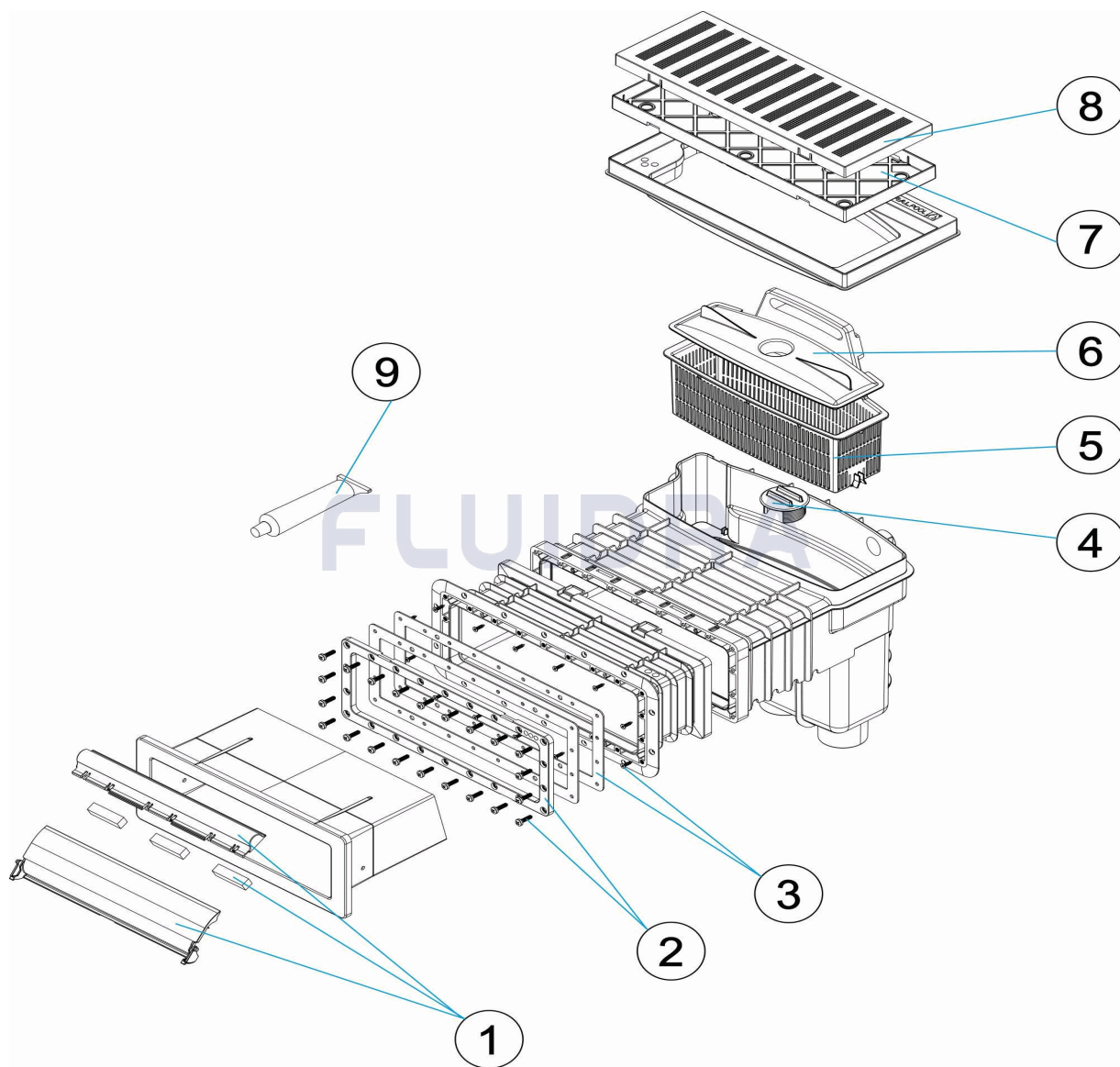
## OBSERVATIONS

POS	CODE	OBSERVATIONS
1	* 4402010192	FOR: 74461, 74462 WHITE
1	* 4402010193	FOR: 74461, 74462 BEIGE
1	* 4402010194	FOR: 74461, 74462 GREY
1	* 4402010195	FOR: 74461, 74462 ANTHRACITE
2	* 4402010209	FOR: 74461, 74834
2	* 4402010212	FOR: 74462, 74835
7	* 4402010200	FOR: 74461, 74462 WHITE
7	* 4402010201	FOR: 74461, 74462 BEIGE
7	* 4402010202	FOR: 74461, 74462 GREY
7	* 4402010203	FOR: 74461, 74462 ANTHRACITE
8	* 4402010204	FOR: 74461, 74462 WHITE
8	* 4402010205	FOR: 74461, 74462 BEIGE
8	* 4402010206	FOR: 74461, 74462 GREY
8	* 4402010208	FOR: 74461, 74462 ANTHRACITE



CODICE 74461, 74462, 74834, 74835

DESCRIZIONE: SK UNIK PISCINA PANNELLI CON INSERTI / AUTOFIETTANTE



ITALIANO

POS	CODICE	DESCRIZIONE	QUANTITA'	POS	CODICE	DESCRIZIONE	QUANTITA'
1	* 4402010192	BATTENTE SKIMMER		7	* 4402010200	COPERCHIO SKIMMER	
1	* 4402010193	BATTENTE SKIMMER		7	* 4402010201	COPERCHIO SKIMMER	
1	* 4402010194	BATTENTE SKIMMER		7	* 4402010202	COPERCHIO SKIMMER	
1	* 4402010195	BATTENTE SKIMMER		7	* 4402010203	COPERCHIO SKIMMER	
2	* 4402010209	FLANGIA BOCCHETTASKIMMER		8	* 4402010204	COPERCHIO SUPERIORE SKIMMER	
2	* 4402010212	FLANGIA BOCCHETTASKIMMER		8	* 4402010205	COPERCHIO SUPERIORE SKIMMER	
3	4402010214	GUARNIZIONE SKIMMER		8	* 4402010206	COPERCHIO SUPERIORE SKIMMER	
4	4402010502	TAPPO DI REGOLAZIONE		8	* 4402010208	COPERCHIO SUPERIORE SKIMMER	
5	4402010198	CESTELLO SKIMMER		9	30884	ADESIVO PER ABS	
6	4402010199	COPERCHIO CESTELLO SKIMMER					

CODICE **74461, 74462, 74834, 74835**

DESCRIZIONE: **SK UNIK PISCINA PANNELLI CON INSERTI / AUTOFILETTANTE**

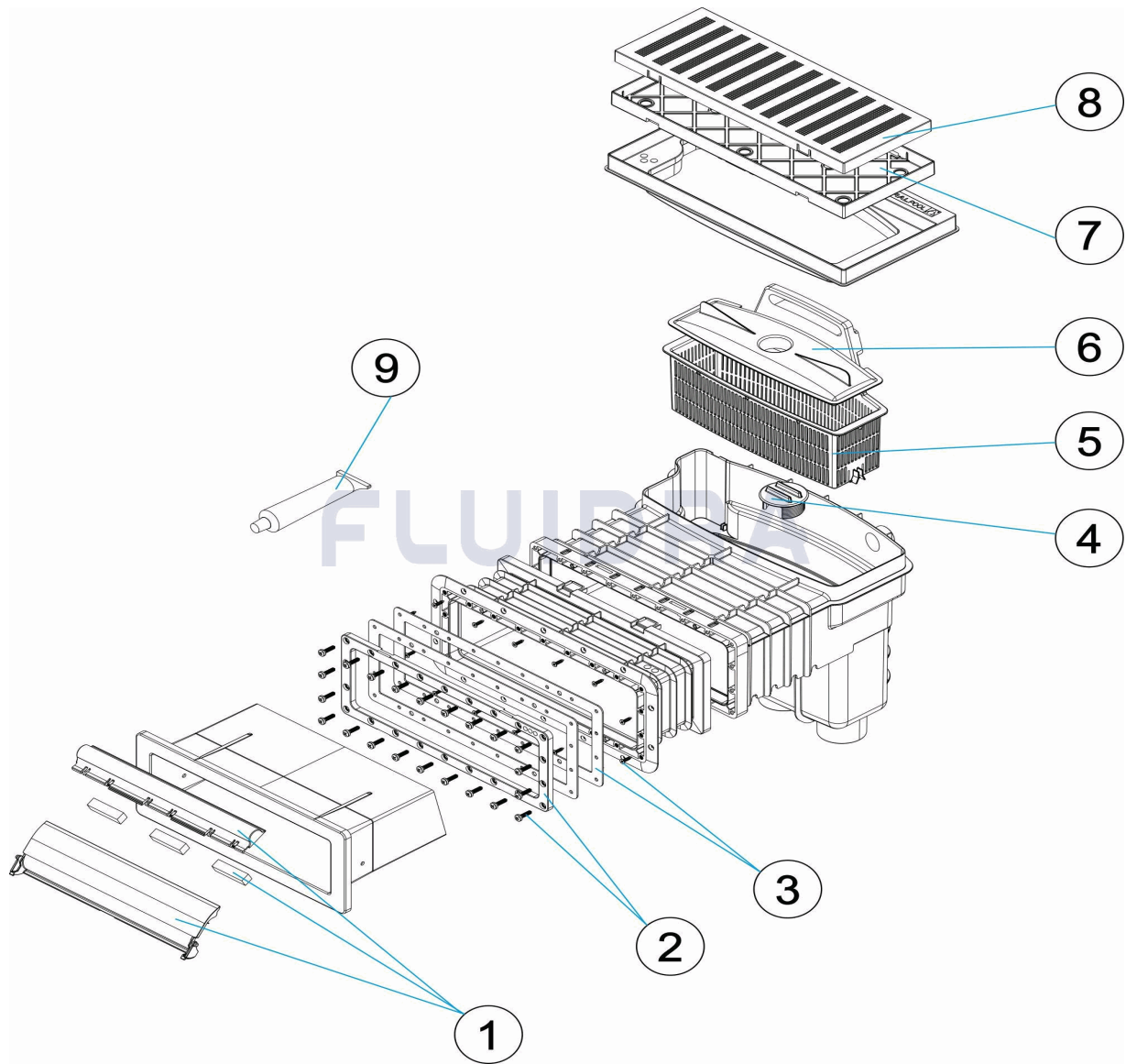
## OSSERVAZIONI

POS	CODICE	OSSERVAZIONI
1	* 4402010192	PER: 74461, 74462 WHITE
1	* 4402010193	PER: 74461, 74462 BEIGE
1	* 4402010194	PER: 74461, 74462 GREY
1	* 4402010195	PER: 74461, 74462 ANTHRACITE
2	* 4402010209	PER: 74461, 74834
2	* 4402010212	PER: 74462, 74835
7	* 4402010200	PER: 74461, 74462 WHITE
7	* 4402010201	PER: 74461, 74462 BEIGE
7	* 4402010202	PER: 74461, 74462 GREY
7	* 4402010203	PER: 74461, 74462 ANTHRACITE
8	* 4402010204	PER: 74461, 74462 WHITE
8	* 4402010205	PER: 74461, 74462 BEIGE
8	* 4402010206	PER: 74461, 74462 GREY
8	* 4402010208	PER: 74461, 74462 ANTHRACITE



CODE 74461, 74462, 74834, 74835

BESCHREIBUNG: SK UNIK PLATTENBECKEN METRISCHES GEWINDE / SELBSTBOHREN



**DEUTSCH**

POS	CODE	BESCHREIBUNG	MENGE	POS	CODE	BESCHREIBUNG	MENGE
1	* 4402010192	SET SKIMMERKLAPPE		7	* 4402010200	ABDECKUNG SKIMMER	
1	* 4402010193	SET SKIMMERKLAPPE		7	* 4402010201	ABDECKUNG SKIMMER	
1	* 4402010194	SET SKIMMERKLAPPE		7	* 4402010202	ABDECKUNG SKIMMER	
1	* 4402010195	SET SKIMMERKLAPPE		7	* 4402010203	ABDECKUNG SKIMMER	
2	* 4402010209	FLANSCH SKIMMEREINLASS		8	* 4402010204	ABDECKUNG OBEN SKIMMER	
2	* 4402010212	FLANSCH SKIMMEREINLASS		8	* 4402010205	ABDECKUNG OBEN SKIMMER	
3	4402010214	DICHTUNG SKIMMER		8	* 4402010206	ABDECKUNG OBEN SKIMMER	
4	4402010502	STOPFEN REGULIERUNG		8	* 4402010208	ABDECKUNG OBEN SKIMMER	
5	4402010198	SKIMMERKORB		9	30884	AUFKLEBER ABS	
6	4402010199	ABDECKUNG SKIMMKORB					

CODE **74461, 74462, 74834, 74835**

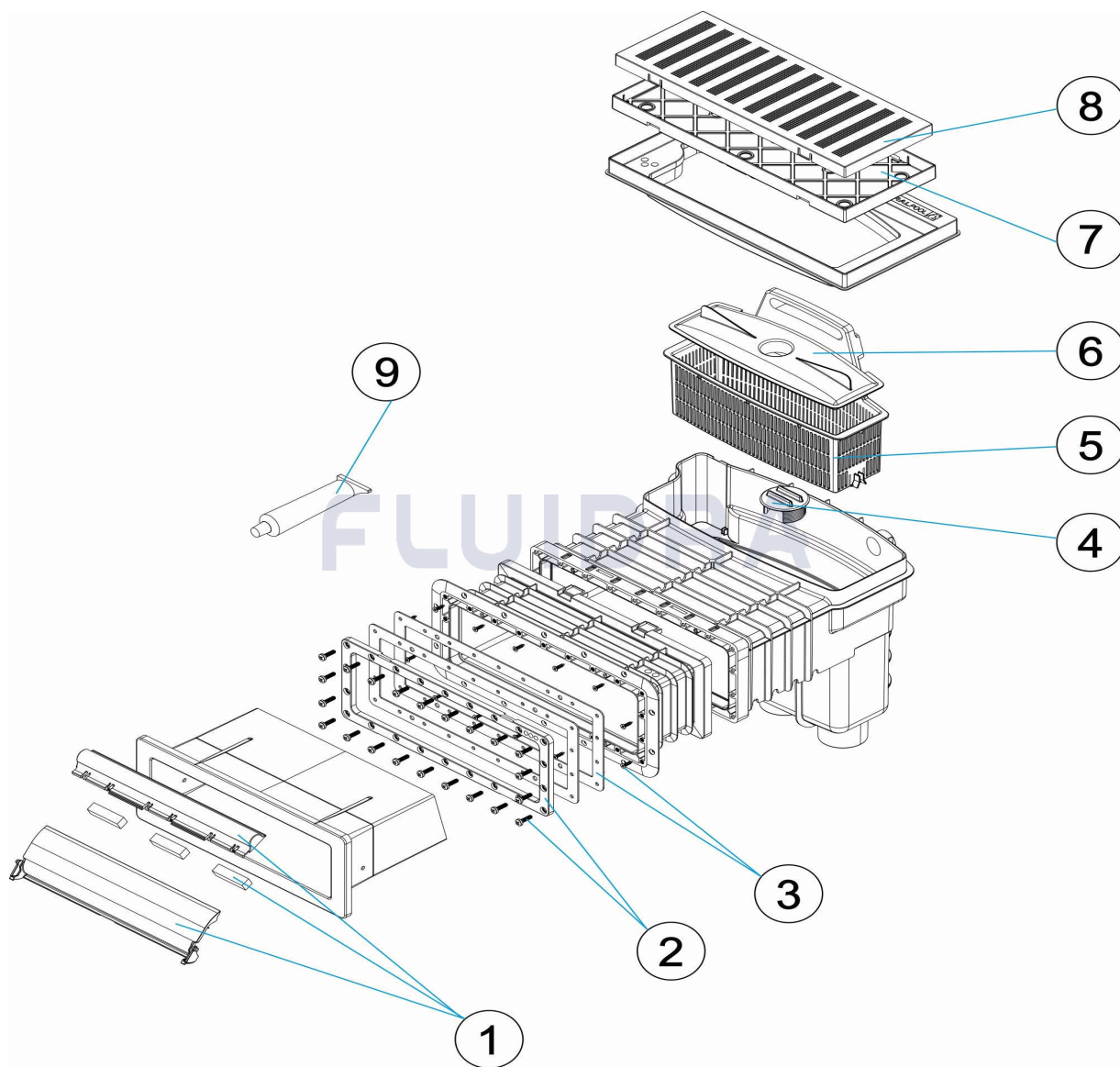
BESCHREIBUNG: **SK UNIK PLATTENBECKEN METRISCHES GEWINDE / SELBSTBOHREN**

## HINWEISE

POS	CODE	HINWEISE
1	* 4402010192	FÜR: 74461, 74462 WHITE
1	* 4402010193	FÜR: 74461, 74462 BEIGE
1	* 4402010194	FÜR: 74461, 74462 GREY
1	* 4402010195	FÜR: 74461, 74462 ANTHRACITE
2	* 4402010209	FÜR: 74461, 74834
2	* 4402010212	FÜR: 74462, 74835
7	* 4402010200	FÜR: 74461, 74462 WHITE
7	* 4402010201	FÜR: 74461, 74462 BEIGE
7	* 4402010202	FÜR: 74461, 74462 GREY
7	* 4402010203	FÜR: 74461, 74462 ANTHRACITE
8	* 4402010204	FÜR: 74461, 74462 WHITE
8	* 4402010205	FÜR: 74461, 74462 BEIGE
8	* 4402010206	FÜR: 74461, 74462 GREY
8	* 4402010208	FÜR: 74461, 74462 ANTHRACITE

CODIGO 74461, 74462, 74834, 74835

DESCRIÇÃO: SK UNIK PISCINA PAINÉIS COM INSERÇÕES / AUTO ROSCA



**PORTUGUES**

POS	CODIGO	DESCRIÇÃO	JANTIDADE	POS	CODIGO	DESCRIÇÃO	JANTIDADE
1	* 4402010192	COMPORTA SKIMMER		7	* 4402010200	TAMPA SKIMMER	
1	* 4402010193	COMPORTA SKIMMER		7	* 4402010201	TAMPA SKIMMER	
1	* 4402010194	COMPORTA SKIMMER		7	* 4402010202	TAMPA SKIMMER	
1	* 4402010195	COMPORTA SKIMMER		7	* 4402010203	TAMPA SKIMMER	
2	* 4402010209	FLANGE BOCA SKIMMER		8	* 4402010204	TAMPA SUPERIOR SKIMMER	
2	* 4402010212	FLANGE BOCA SKIMMER		8	* 4402010205	TAMPA SUPERIOR SKIMMER	
3	4402010214	JUNTA SKIMMER		8	* 4402010206	TAMPA SUPERIOR SKIMMER	
4	4402010502	TAMPA REGULADORA		8	* 4402010208	TAMPA SUPERIOR SKIMMER	
5	4402010198	CESTO SKIMMER		9	30884	ADESIVO PARA ABS	
6	4402010199	TAMPA CESTO SKIMMER					

CODIGO **74461, 74462, 74834, 74835**

DESCRIÇÃO: **SK UNIK PISCINA PAINÉIS COM INSERÇÕES / AUTO ROSCA**

## OBSERVAÇÕES

POS	CODIGO	OBSERVAÇÕES
1	* 4402010192	PARA: 74461, 74462 WHITE
1	* 4402010193	PARA: 74461, 74462 BEIGE
1	* 4402010194	PARA: 74461, 74462 GREY
1	* 4402010195	PARA: 74461, 74462 ANTHRACITE
2	* 4402010209	PARA: 74461, 74834
2	* 4402010212	PARA: 74462, 74835
7	* 4402010200	PARA: 74461, 74462 WHITE
7	* 4402010201	PARA: 74461, 74462 BEIGE
7	* 4402010202	PARA: 74461, 74462 GREY
7	* 4402010203	PARA: 74461, 74462 ANTHRACITE
8	* 4402010204	PARA: 74461, 74462 WHITE
8	* 4402010205	PARA: 74461, 74462 BEIGE
8	* 4402010206	PARA: 74461, 74462 GREY
8	* 4402010208	PARA: 74461, 74462 ANTHRACITE