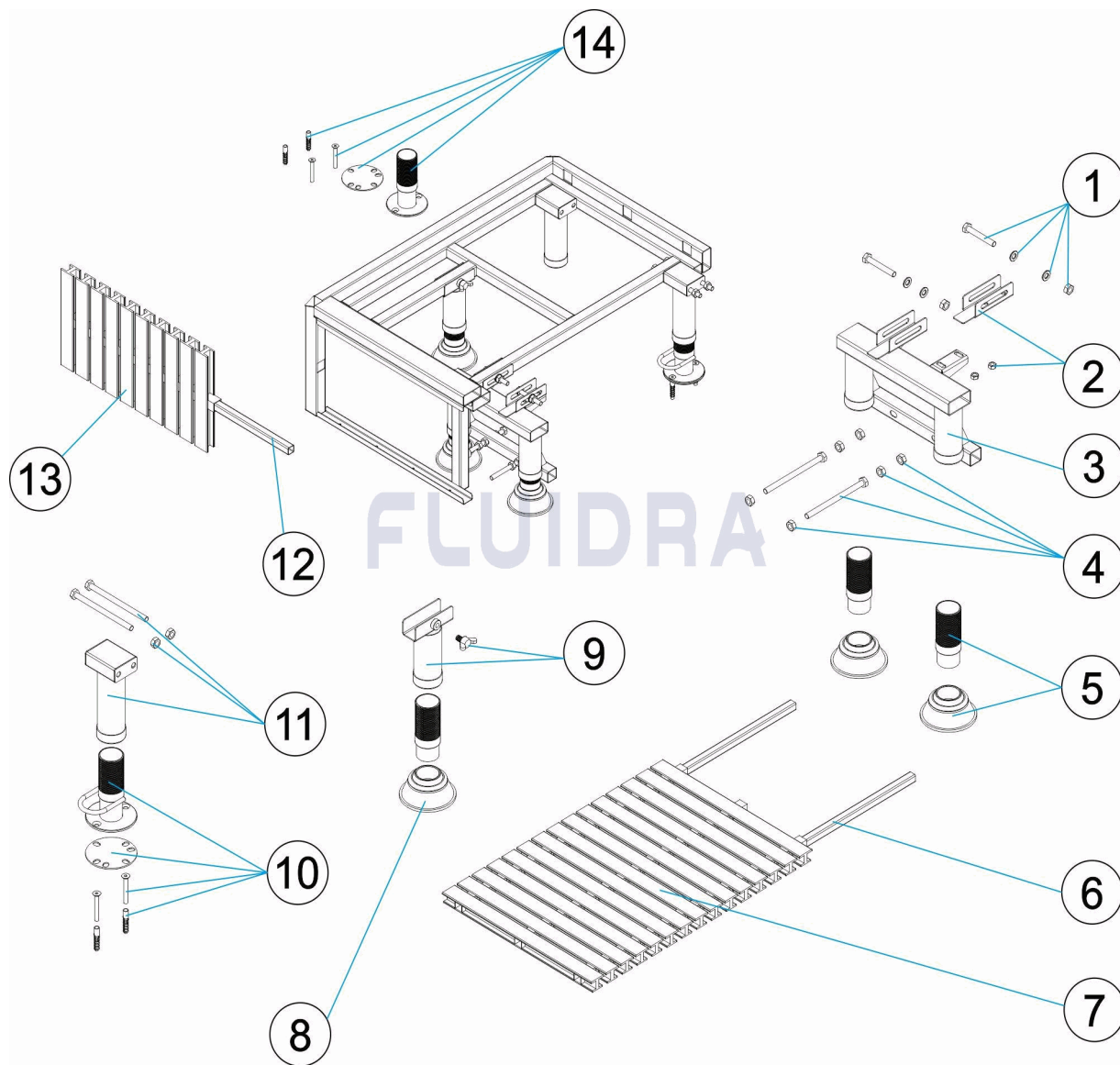


CODIGO **34215**

DESCRIPCION: **EXTREMO BANCADA DERECHO**



ESPAÑOL

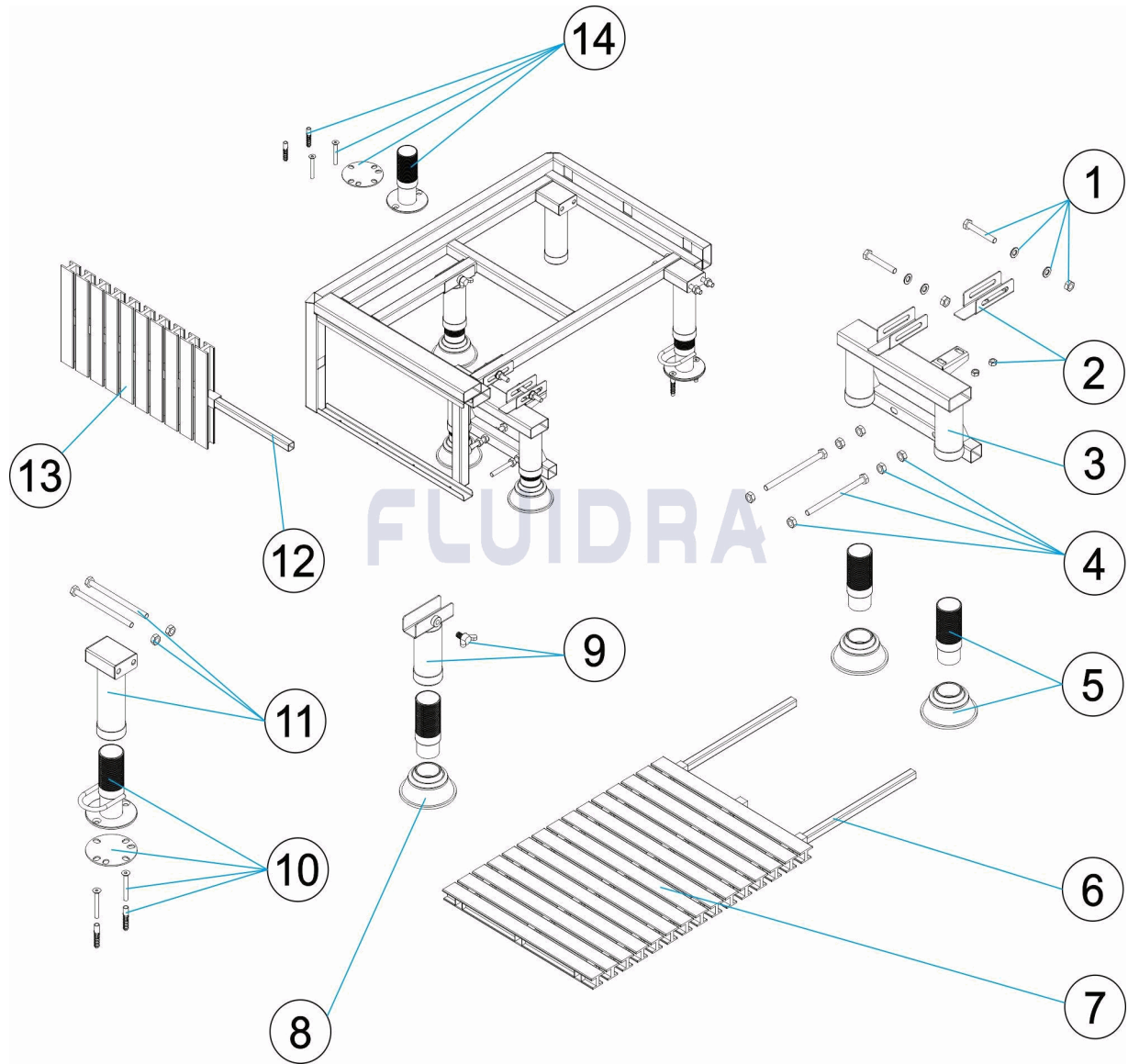
POS	CODIGO	DESCRIPCION	CANTIDAD	POS	CODIGO	DESCRIPCION	CANTIDAD
1	4401140032	TORNILLERIA ANCLAJE		8	4401010501	TOPE ARTICULADO	
2	4401140033	SOPORTE FIJACIÓN		9	4401140029	SOPORTE REGULABLE SUPERIOR	
3	4401140034	SOPORTE		10	4401140036	SOPORTE REGULABLE INFERIOR	
4	4401140035	TORNILLERIA ANCLAJE		11	4401140037	SOPORTE REGULABLE SUPERIOR	
5	4401140028	SOPORTE REGULABLE INFERIOR		12	4401140030	TUBO 20X20 489MM	
6	4401140027	TUBO 20x20 750MM		13	4401140031	PERFIL PLATAFORMA	
7	* 4401140000	PERFIL PLATAFORMA		14	4401140020	SOPORTE INFERIOR	
7	4401140021	PERFIL PLATAFORMA					

CODIGO **34215**DESCRIPCION: **EXTREMO BANCADA DERECHO****OBSERVACIONES**

POS	CODIGO	OBSERVACIONES
7	* 4401140000	PARA: ANTI-SLIP

CODE 34215

DESCRIPTION: FIN DU BANC DROIT



FRANCAIS

POS	CODE	DESCRIPTION	QUANTITE	POS	CODE	DESCRIPTION	QUANTITE
1	4401140032	VISSERIE ANCRAGE		8	4401010501	TAMPON ARTICULÉ	
2	4401140033	VIS FIXATION SUPPORT		9	4401140029	SUPPORT SUPÉRIEUR RÉGLABLE	
3	4401140034	SUPPORT		10	4401140036	SUPPORT INFÉRIEUR RÉGLABLE	
4	4401140035	VISSERIE ANCRAGE		11	4401140037	SUPPORT SUPÉRIEUR RÉGLABLE	
5	4401140028	SUPPORT INFÉRIEUR RÉGLABLE		12	4401140030	TUBE 20x20 489MM	
6	4401140027	TUBE 20x20 750MM		13	4401140031	PROFIL PLATEFORME	
7	* 4401140000	PROFIL PLATEFORME		14	4401140020	SUPPORT INFÉRIEUR	
7	4401140021	PROFIL PLATEFORME					

CODE **34215**

DESCRIPTION: **FIN DU BANC DROIT**

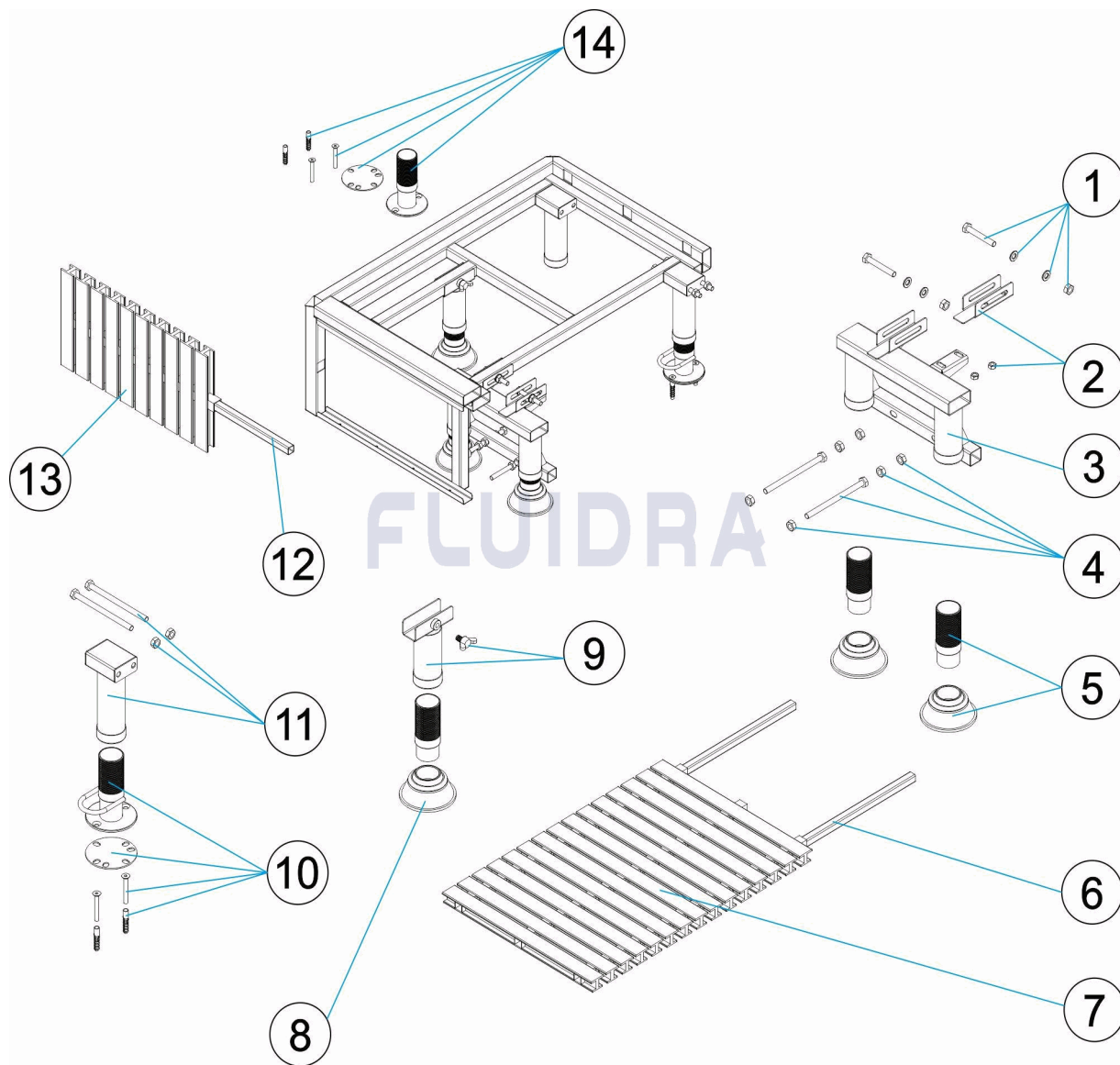
OBSERVATIONS

POS	CODE	OBSERVATIONS
7	* 4401140000	POUR: ANTI-SLIP

CODE

34215

DESCRIPTION: **RIGHT BENCH END**



ENGLISH

POS	CODE	DESCRIPTION	QUANTITY	POS	CODE	DESCRIPTION	QUANTITY
1	4401140032	ANCHOR FIXINGS		8	4401010501	ARTICULATED FOOT PAD	
2	4401140033	FIXING BRACKET		9	4401140029	UPPER ADJUSTABLE SUPPORT	
3	4401140034	BRACKET		10	4401140036	LOWER ADJUSTABLE SUPPORT	
4	4401140035	ANCHOR FIXINGS		11	4401140037	UPPER ADJUSTABLE SUPPORT	
5	4401140028	LOWER ADJUSTABLE SUPPORT		12	4401140030	PIPE 20x20 489MM	
6	4401140027	PIPE 20x20 750MM		13	4401140031	PLATFORM PROFILE	
7	* 4401140000	PLATFORM PROFILE		14	4401140020	LOWER SUPPORT	
7	4401140021	PLATFORM PROFILE					

CODE **34215**

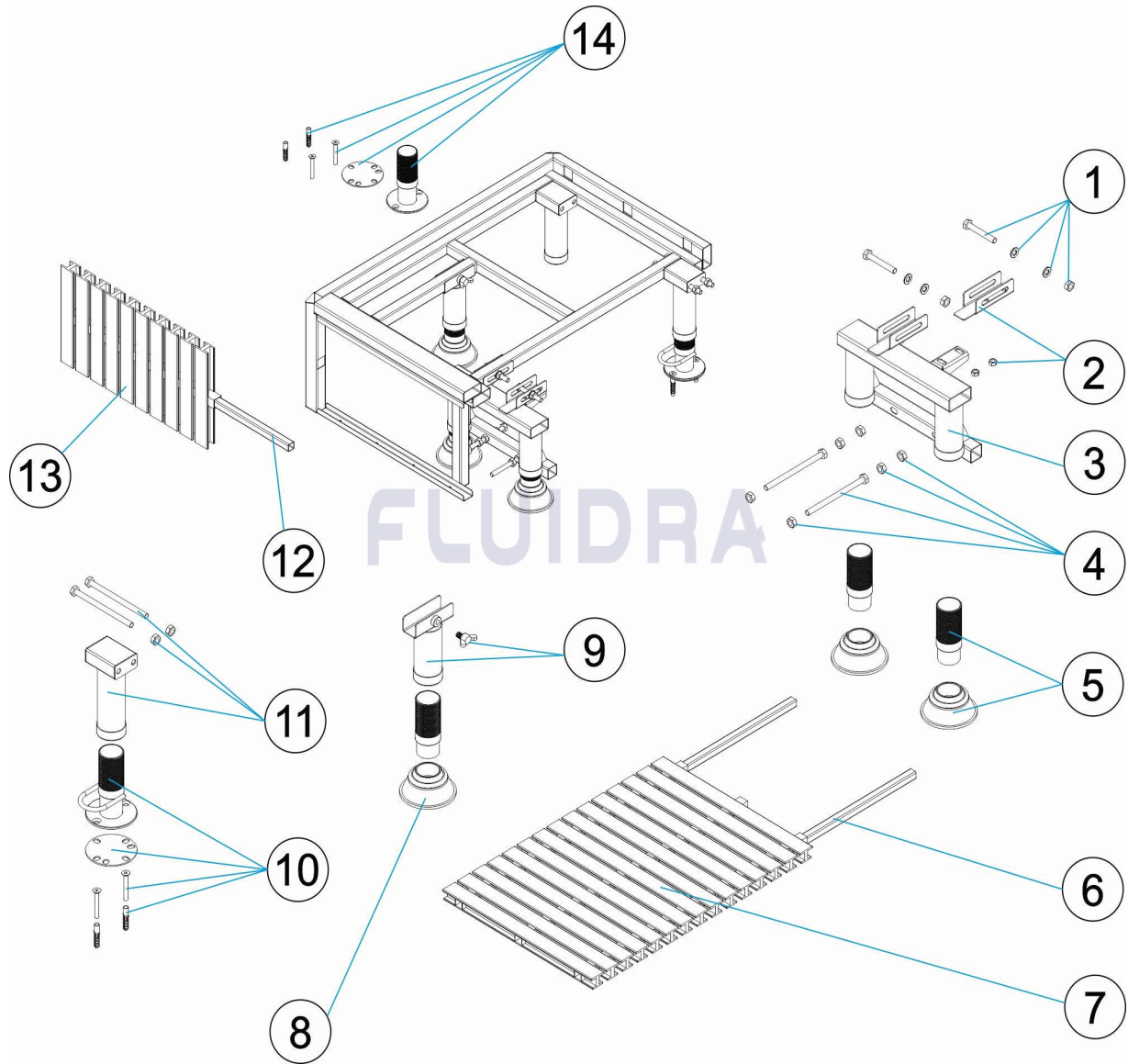
DESCRIPTION: **RIGHT BENCH END**

OBSERVATIONS

POS	CODE	OBSERVATIONS
7	* 4401140000	FOR: ANTI-SLIP

CODICE 34215

DESCRIZIONE: FINE PANCA DESTRA



ITALIANO

POS	CODICE	DESCRIZIONE	QUANTITA'	POS	CODICE	DESCRIZIONE	QUANTITA'
1	4401140032	BULLONERIA ANCORAGGIO		8	4401010501	PIEDINO SNODABILE	
2	4401140033	FISSAGGIO SUPPORTO		9	4401140029	SUPPORTO INFERIORE REGOLABILE	
3	4401140034	SUPPORTO		10	4401140036	SUPPORTO INFERIORE REGOLABILE	
4	4401140035	BULLONERIA ANCORAGGIO		11	4401140037	SUPPORTO INFERIORE REGOLABILE	
5	4401140028	SUPPORTO INFERIORE REGOLABILE		12	4401140030	TUBO 20x20 489MM	
6	4401140027	TUBO 20x20 750MM		13	4401140031	PROFILO PIATTAFORMA	
7	* 4401140000	PROFILO PIATTAFORMA		14	4401140020	SUPPORTO INFERIORE	
7	4401140021	PROFILO PIATTAFORMA					

CODICE **34215**

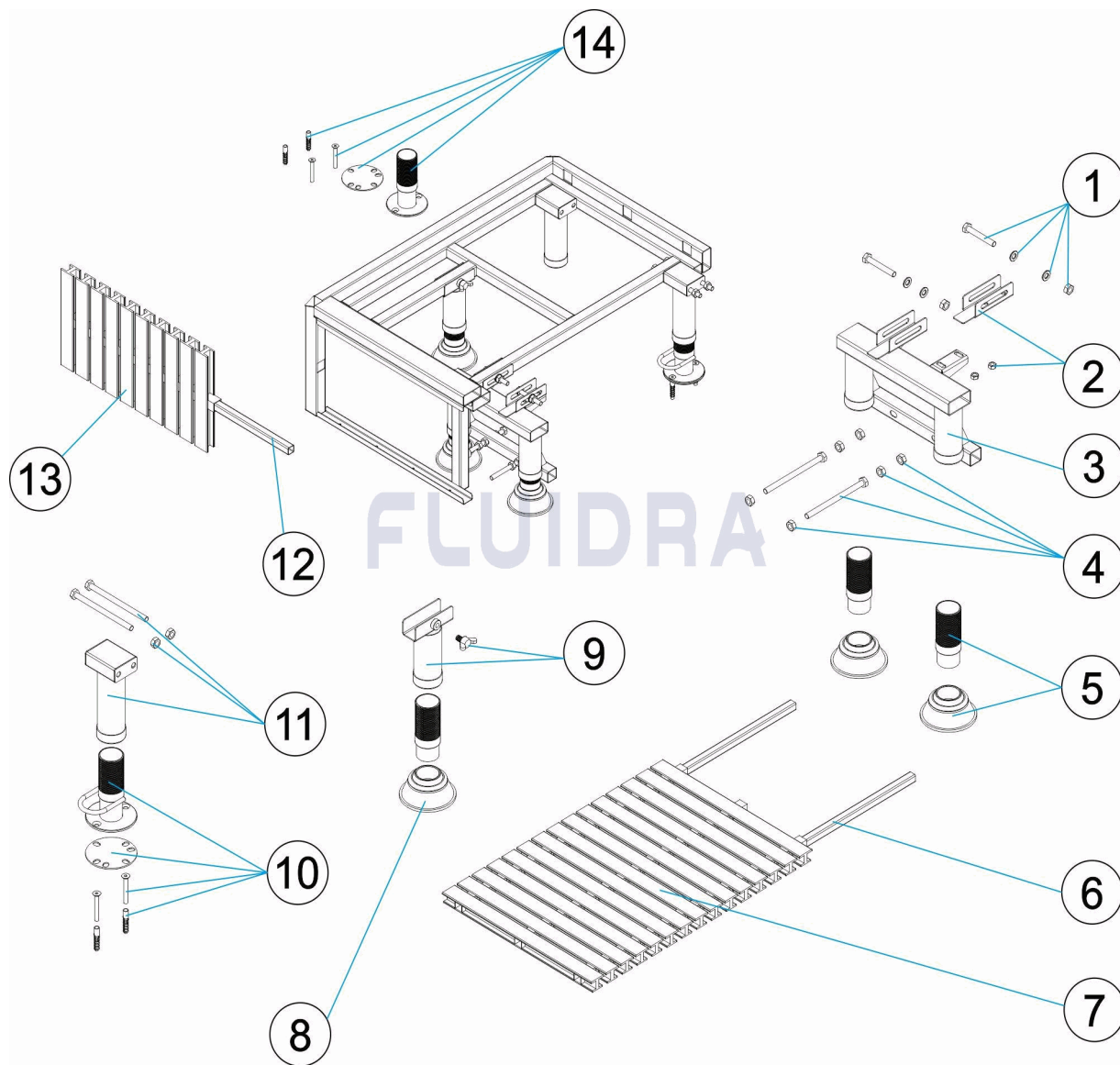
DESCRIZIONE: **FINE PANCA DESTRA**

OSSERVAZIONI

POS	CODICE	OSSERVAZIONI
7	* 4401140000	PER: ANTI-SLIP

CODE 34215

BESCHREIBUNG: RECHTES BANKENDE



DEUTSCH

POS	CODE	BESCHREIBUNG	MENGE	POS	CODE	BESCHREIBUNG	MENGE
1	4401140032	SCHRAUBENSATZ VERANKERUNG		8	4401010501	BEWEGLICHER ABSCHLUSS	
2	4401140033	FIXIERHALTERUNG		9	4401140029	OBERE EINSTELLBARE HALTERUNG	
3	4401140034	HALTERUNG		10	4401140036	UNTERE EINSTELLBARE UNTERSTÜTZUNG	
4	4401140035	SCHRAUBENSATZ VERANKERUNG		11	4401140037	OBERE EINSTELLBARE HALTERUNG	
5	4401140028	UNTERE EINSTELLBARE UNTERSTÜTZUNG		12	4401140030	ROHR 20x20 489MM	
6	4401140027	ROHR 20x20 750MM		13	4401140031	PROFIL PLATTFORM	
7	* 4401140000	PROFIL PLATTFORM		14	4401140020	HALTERUNG UNTEN	
7	4401140021	PROFIL PLATTFORM					

CODE **34215**

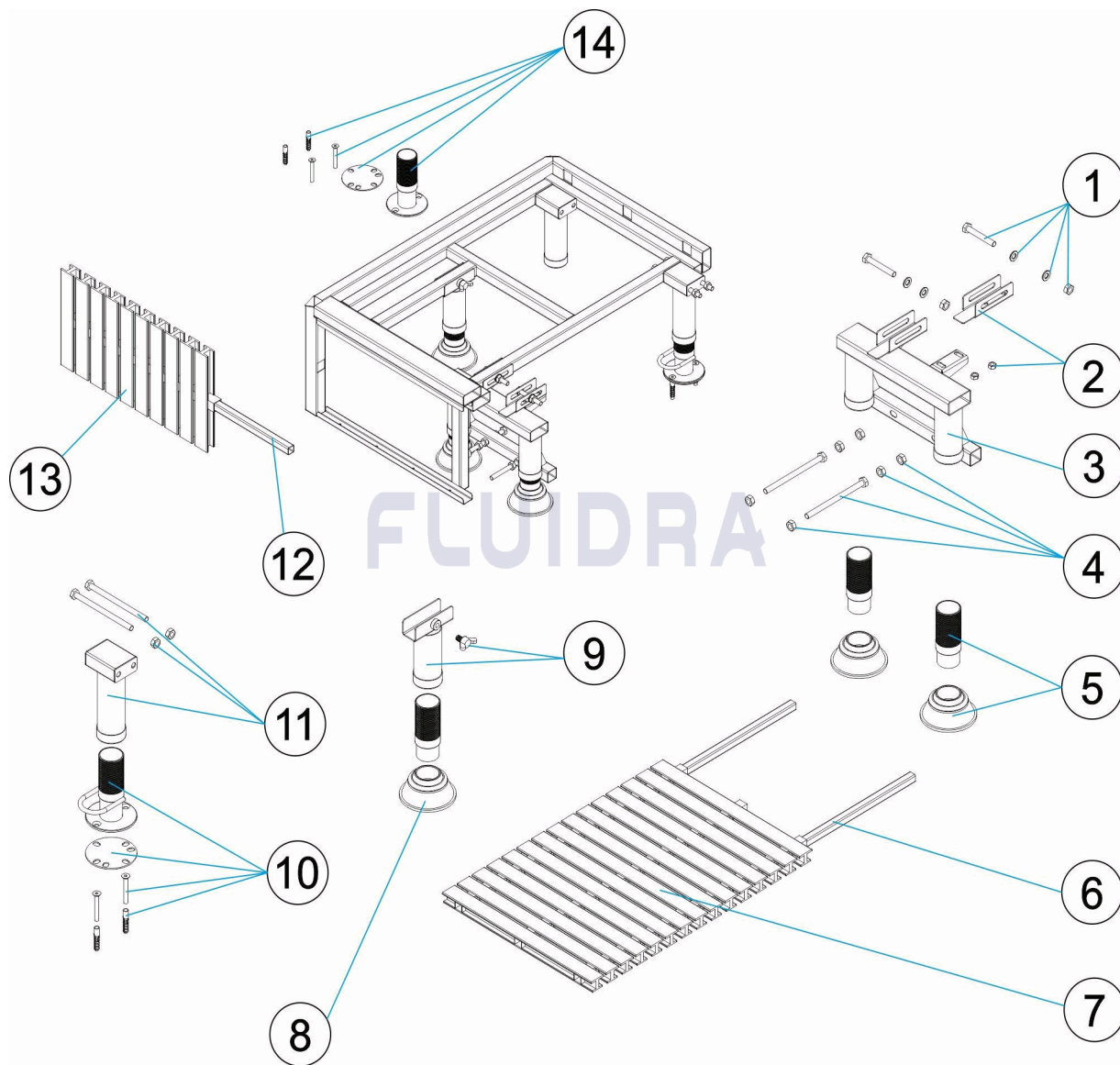
BESCHREIBUNG: **RECHTES BANKENDE**

HINWEISE

POS	CODE	HINWEISE
7	* 4401140000	FÜR: ANTI-SLIP

CODIGO **34215**

DESCRIÇÃO: **FIM DO BANCO DIREITO**



PORTUGUES

POS	CODIGO	DESCRIÇÃO	JANTIDADE	POS	CODIGO	DESCRIÇÃO	JANTIDADE
1	4401140032	PARAFUSOS ÂNCORA		8	4401010501	BATENTE ARTICULADA	
2	4401140033	FIXAÇÃO SUPORTE		9	4401140029	SUPORTE AJUSTÁVEL SUPERIOR	
3	4401140034	SUPORTE		10	4401140036	SUPORTE AJUSTÁVEL INFERIOR	
4	4401140035	PARAFUSOS ÂNCORA		11	4401140037	SUPORTE AJUSTÁVEL SUPERIOR	
5	4401140028	SUPORTE AJUSTÁVEL INFERIOR		12	4401140030	TUBO 20x20 489MM	
6	4401140027	TUBO 20x20 750MM		13	4401140031	PERFIL DA PLATAFORMA	
7	* 4401140000	PERFIL DA PLATAFORMA		14	4401140020	SUPORTE INFERIOR	
7	4401140021	PERFIL DA PLATAFORMA					

CODIGO 34215

DESCRIÇÃO: FIM DO BANCO DIREITO

OBSERVAÇÕES

POS	CODIGO	OBSERVAÇÕES
7	* 4401140000	PARA: ANTI-SLIP