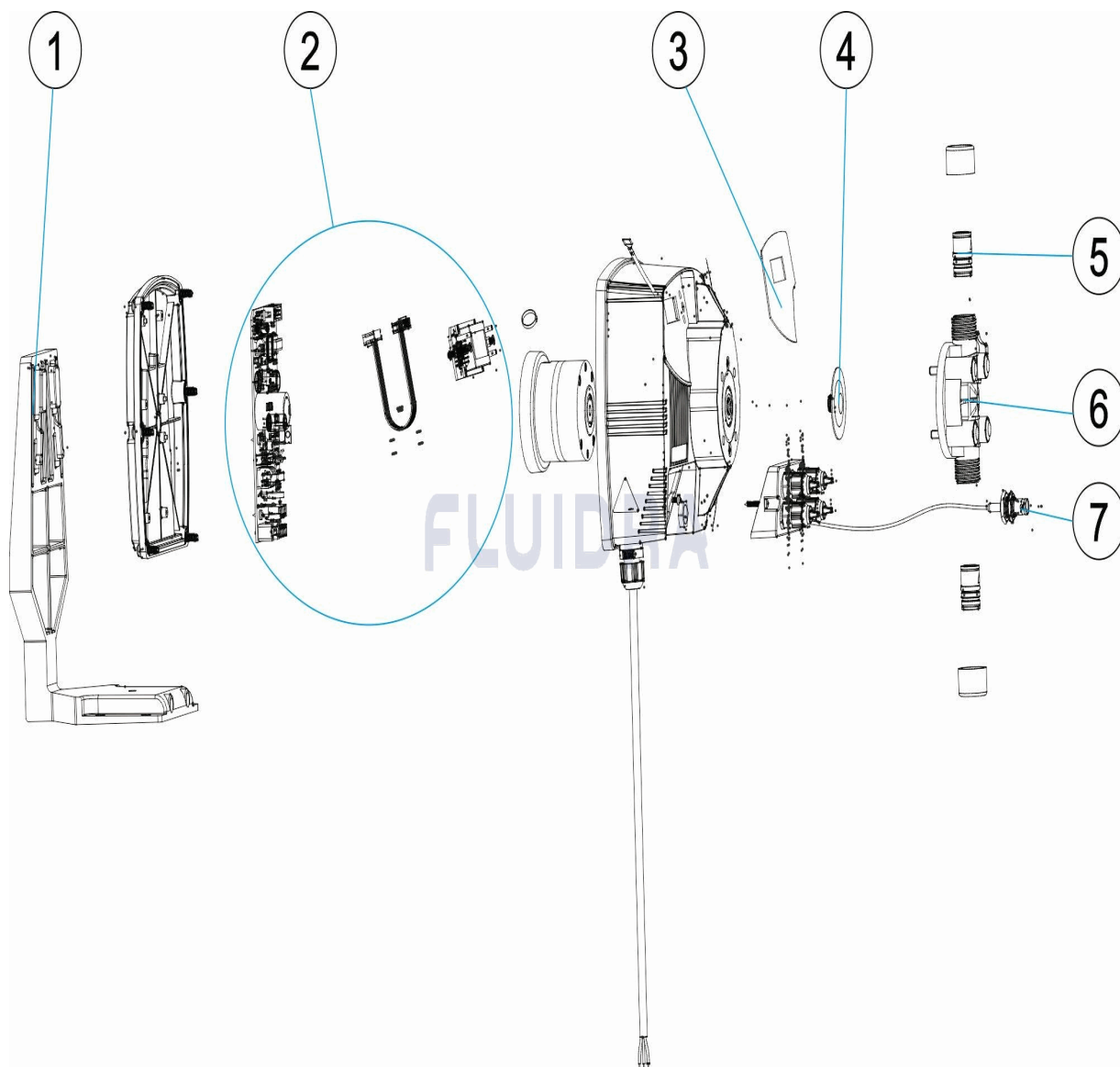


CODIGO **66165, 66166**

DESCRIPCION: **OPTIMA PRO NEXT**



ESPAÑOL

| POS | CODIGO | DESCRIPCION | CANTIDAD | POS | CODIGO | DESCRIPCION | CANTIDAD |
|-----|--------------|-------------|----------|-----|--------------|-----------------------------|----------|
| 1 | 66164R0004 | PIE SOPORTE | | 4 | 57140R0004 | DIAFRAGMA | |
| 2 | * 66165R0050 | PLACA BASE | | 5 | 57140R0003 | VÁLVULA KOMPACT PVDF-T/FPM | |
| 2 | * 66166R0050 | PLACA BASE | | 6 | 66164R0001 | CABEZAL COMPLETO | |
| 3 | 66166R0002 | TECLADO | | 7 | * 66162R0007 | CABLE COAXIAL RG174A/U 20CM | |

CODIGO 66165, 66166

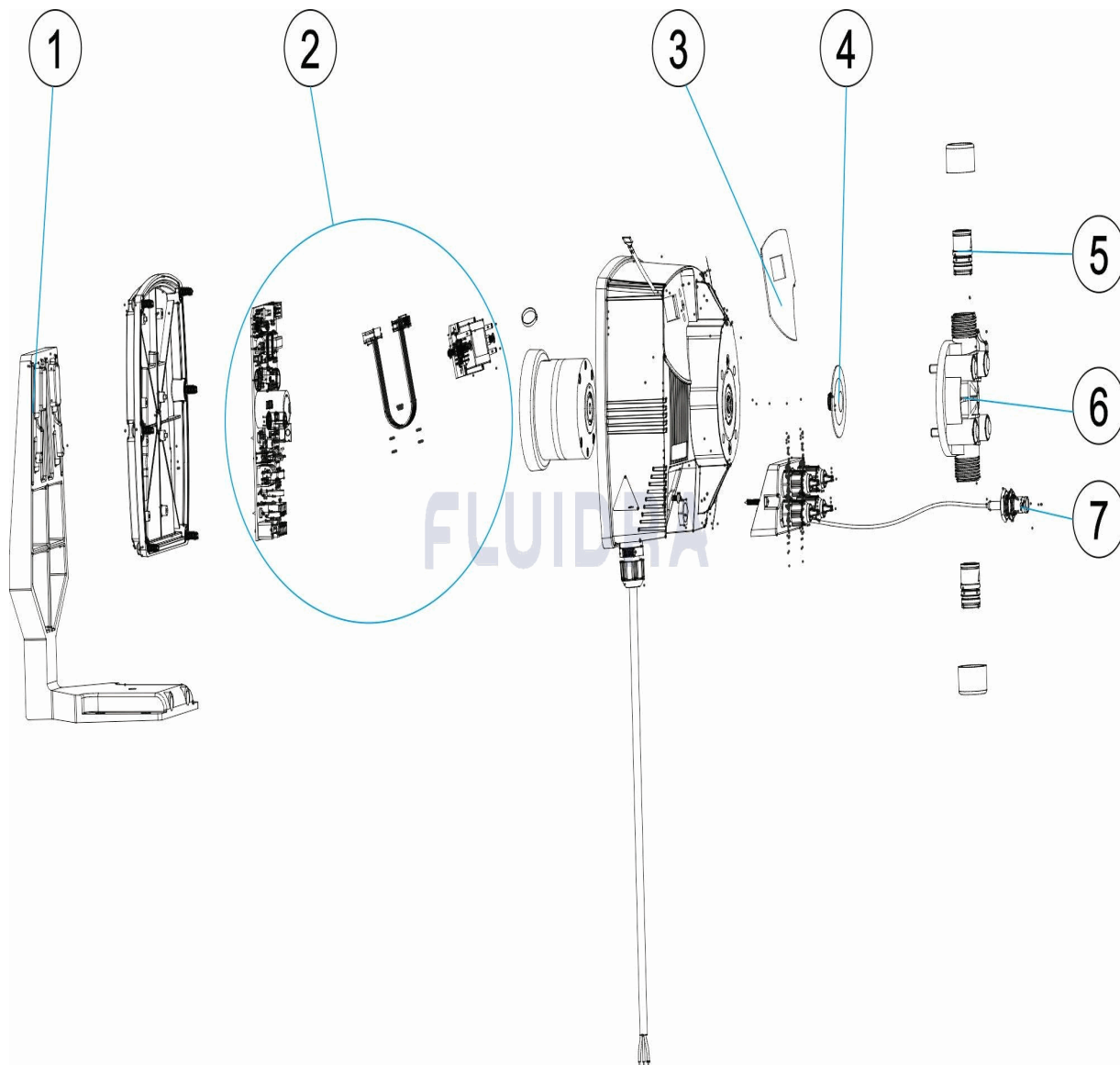
DESCRIPCION: OPTIMA PRO NEXT

OBSERVACIONES

| POS | CODIGO | OBSERVACIONES |
|-----|--------------|---------------|
| 2 | * 66165R0050 | PARA: 66165 |
| 2 | * 66166R0050 | PARA: 66166 |
| 7 | * 66162R0007 | PARA: 66166 |

CODE **66165, 66166**

DESCRIPTION: **OPTIMA PRO NEXT**



FRANCAIS

| POS | CODE | DESCRIPTION | QUANTITE | POS | CODE | DESCRIPTION | QUANTITE |
|-----|--------------|--------------|----------|-----|--------------|-----------------------------|----------|
| 1 | 66164R0004 | PIED SUPPORT | | 4 | 57140R0004 | DIAPHRAGME | |
| 2 | * 66165R0050 | PLAQUE BASE | | 5 | 57140R0003 | VANNE KOMPACT PVDF-T/FPM | |
| 2 | * 66166R0050 | PLAQUE BASE | | 6 | 66164R0001 | TÊTE COMPLÈTE | |
| 3 | 66166R0002 | CLAVIER | | 7 | * 66162R0007 | CABLE COAXIAL RG174A/U 20CM | |

CODE **66165, 66166**

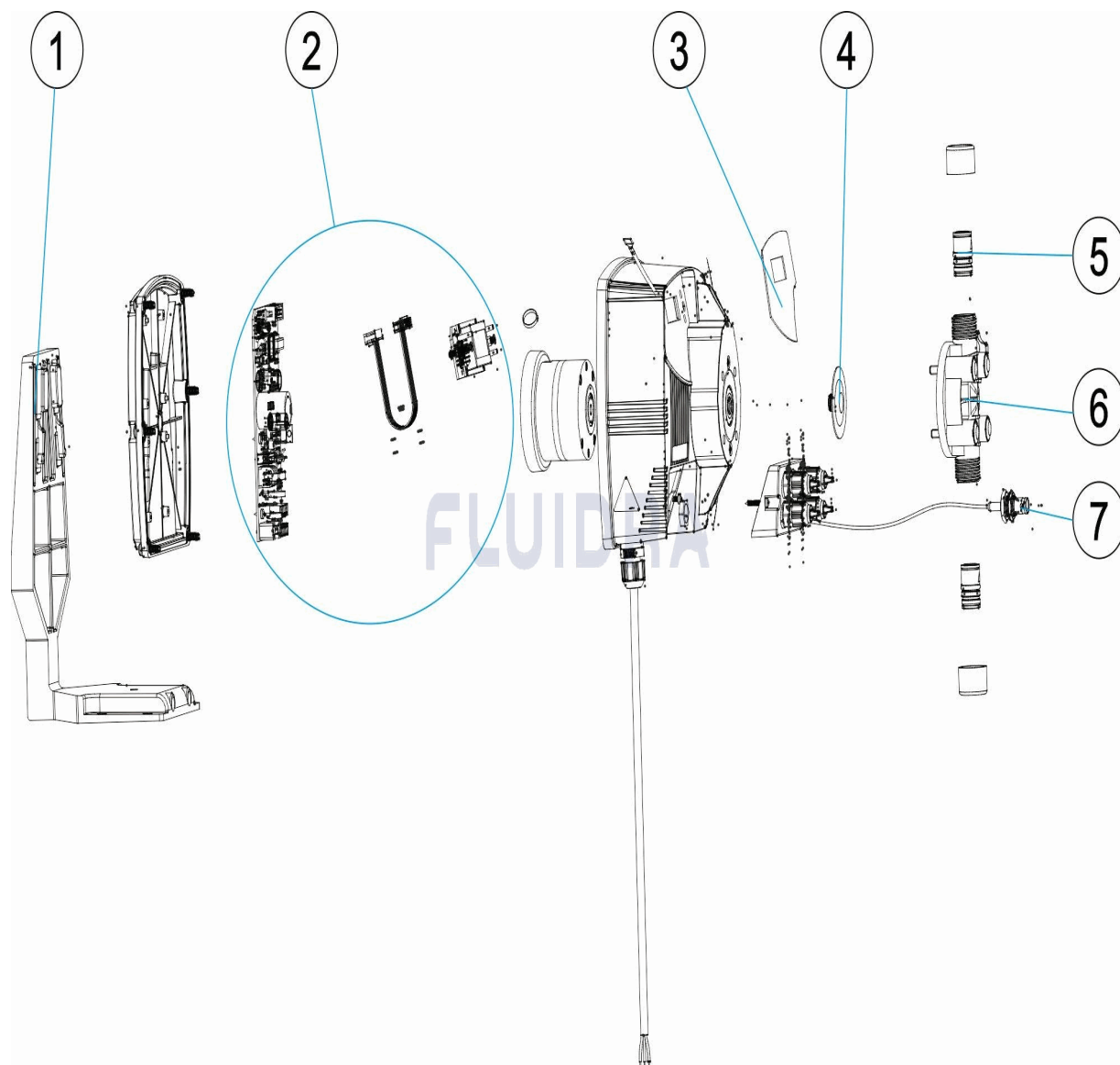
DESCRIPTION: **OPTIMA PRO NEXT**

OBSERVATIONS

| POS | CODE | OBSERVATIONS |
|-----|--------------|--------------|
| 2 | * 66165R0050 | POUR: 66165 |
| 2 | * 66166R0050 | POUR: 66166 |
| 7 | * 66162R0007 | POUR: 66166 |

CODE **66165, 66166**

DESCRIPTION: **OPTIMA PRO NEXT**



ENGLISH

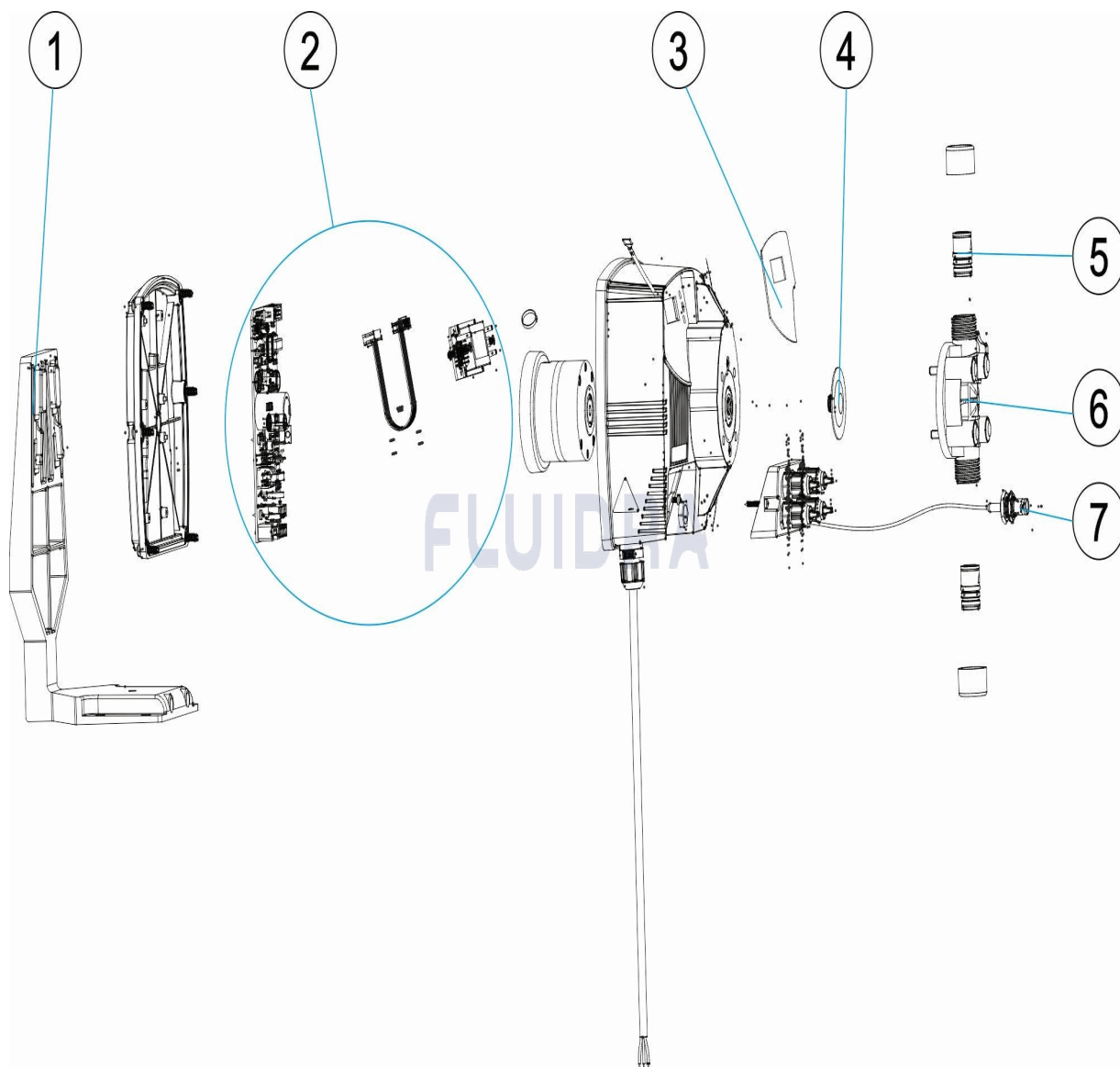
| POS | CODE | DESCRIPTION | QUANTITY | POS | CODE | DESCRIPTION | QUANTITY |
|-----|--------------|--------------|----------|-----|--------------|-----------------------------|----------|
| 1 | 66164R0004 | SUPPORT FOOT | | 4 | 57140R0004 | DIAPHRAGM | |
| 2 | * 66165R0050 | MOTHER BOARD | | 5 | 57140R0003 | KOMPACT PVDF-T/FPM VALVE | |
| 2 | * 66166R0050 | MOTHER BOARD | | 6 | 66164R0001 | COMPLETE HEAD ASSEMBLY | |
| 3 | 66166R0002 | KEYBOARD | | 7 | * 66162R0007 | COAXIAL CABLE RG174A/U 20CM | |

CODE **66165, 66166**DESCRIPTION: **OPTIMA PRO NEXT****OBSERVATIONS**

| POS | CODE | OBSERVATIONS |
|-----|--------------|--------------|
| 2 | * 66165R0050 | FOR: 66165 |
| 2 | * 66166R0050 | FOR: 66166 |
| 7 | * 66162R0007 | FOR: 66166 |

CODICE **66165, 66166**

DESCRIZIONE: **OPTIMA PRO NEXT**



ITALIANO

| POS | CODICE | DESCRIZIONE | QUANTITA' | POS | CODICE | DESCRIZIONE | QUANTITA' |
|-----|--------------|----------------|-----------|-----|--------------|------------------------------|-----------|
| 1 | 66164R0004 | PIEDE SUPPORTO | | 4 | 57140R0004 | DIAFRAMMA | |
| 2 | * 66165R0050 | SCHEDA BASE | | 5 | 57140R0003 | VALVOLA KOMPACT PVDF-T/FPM | |
| 2 | * 66166R0050 | SCHEDA BASE | | 6 | 66164R0001 | TESTA COMPLETA | |
| 3 | 66166R0002 | TASTIERA | | 7 | * 66162R0007 | CAVO COASSIALE RG174A/U 20CM | |

CODICE **66165, 66166**

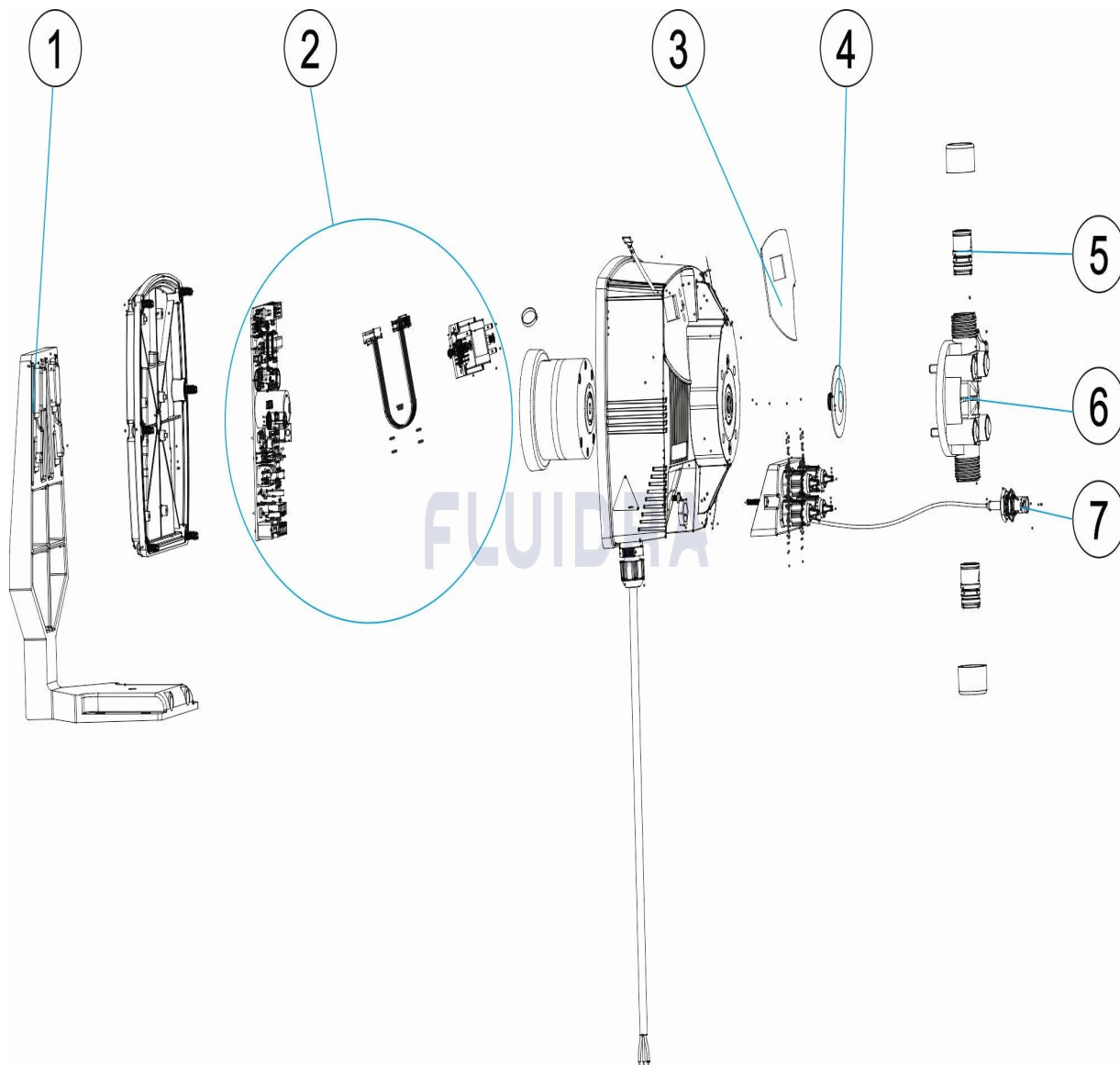
DESCRIZIONE: **OPTIMA PRO NEXT**

OSSERVAZIONI

| POS | CODICE | OSSERVAZIONI |
|-----|--------------|--------------|
| 2 | * 66165R0050 | PER: 66165 |
| 2 | * 66166R0050 | PER: 66166 |
| 7 | * 66162R0007 | PER: 66166 |

CODE **66165, 66166**

BESCHREIBUNG: **OPTIMA PRO NEXT**



DEUTSCH

| POS | CODE | BESCHREIBUNG | MENGE | POS | CODE | BESCHREIBUNG | MENGE |
|-----|--------------|------------------|-------|-----|--------------|----------------------------|-------|
| 1 | 66164R0004 | SOCKEL HALTERUNG | | 4 | 57140R0004 | MEMBRAN | |
| 2 | * 66165R0050 | BASISPLATTE | | 5 | 57140R0003 | VENTIL KOMPAKT PVDF-T/FPM | |
| 2 | * 66166R0050 | BASISPLATTE | | 6 | 66164R0001 | KOPFTEIL KOMPLETT | |
| 3 | 66166R0002 | TASTADUR | | 7 | * 66162R0007 | KOAXIALKABEL RG174A/U 20CM | |

CODE **66165, 66166**

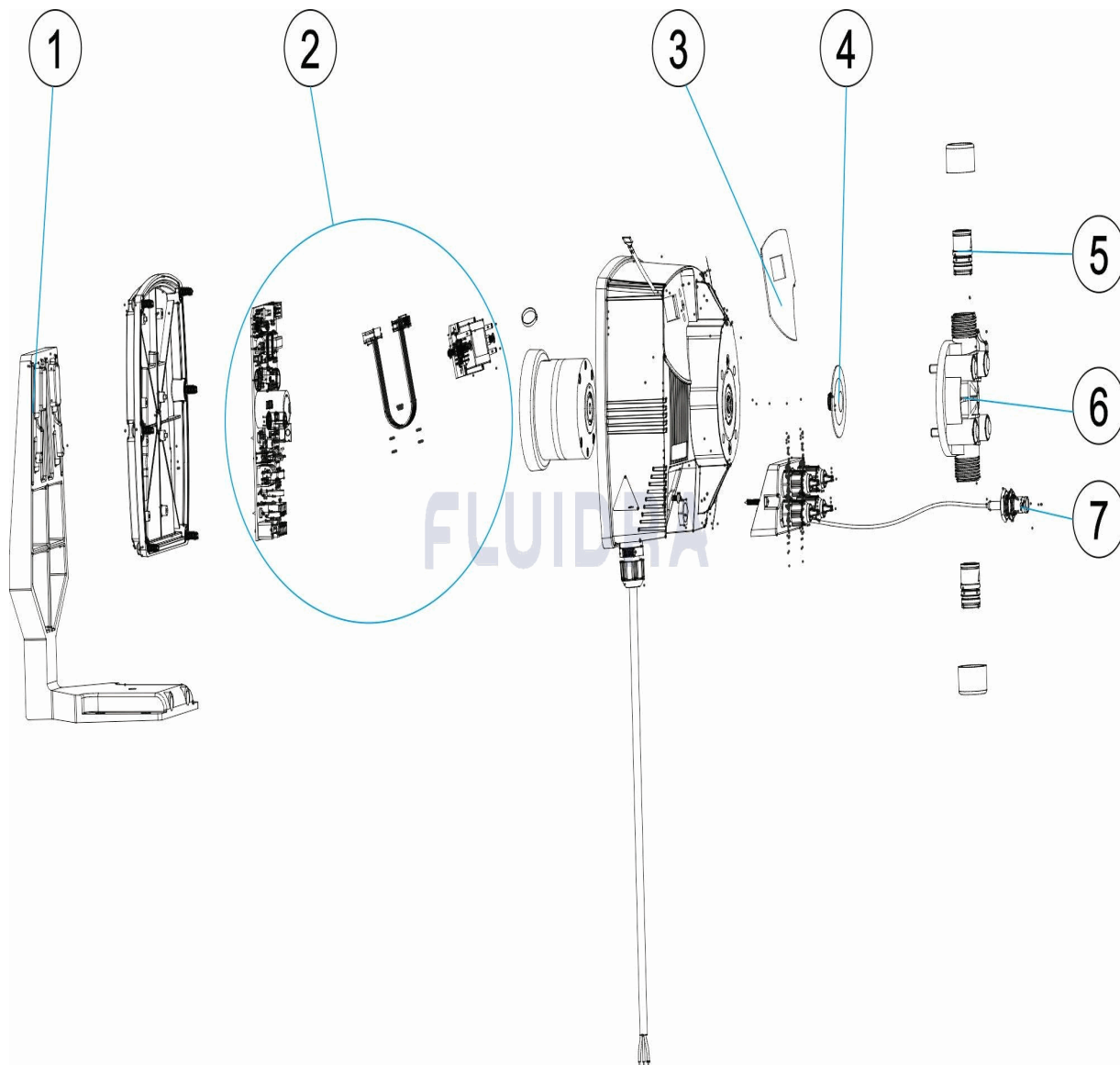
BESCHREIBUNG: **OPTIMA PRO NEXT**

HINWEISE

| POS | CODE | HINWEISE |
|-----|--------------|------------|
| 2 | * 66165R0050 | FÜR: 66165 |
| 2 | * 66166R0050 | FÜR: 66166 |
| 7 | * 66162R0007 | FÜR: 66166 |

CODIGO **66165, 66166**

DESCRIÇÃO: **OPTIMA PRO NEXT**



PORTUGUES

| POS | CODIGO | DESCRIÇÃO | JANTIDADE | POS | CODIGO | DESCRIÇÃO | JANTIDADE |
|-----|--------------|-----------------|-----------|-----|--------------|----------------------------|-----------|
| 1 | 66164R0004 | SUPORTE DA BASE | | 4 | 57140R0004 | DIAFRAGMA | |
| 2 | * 66165R0050 | PLACA BASE | | 5 | 57140R0003 | VALVULA KOMPACT PVDF-T/FPM | |
| 2 | * 66166R0050 | PLACA BASE | | 6 | 66164R0001 | CABEÇAL COMPLETO | |
| 3 | 66166R0002 | TECLADO | | 7 | * 66162R0007 | CABO COAXIAL RG174A/U 20CM | |

CODIGO **66165, 66166**

DESCRIÇÃO: **OPTIMA PRO NEXT**

OBSERVAÇÕES

| POS | CODIGO | OBSERVAÇÕES |
|-----|--------------|-------------|
| 2 | * 66165R0050 | PARA: 66165 |
| 2 | * 66166R0050 | PARA: 66166 |
| 7 | * 66162R0007 | PARA: 66166 |