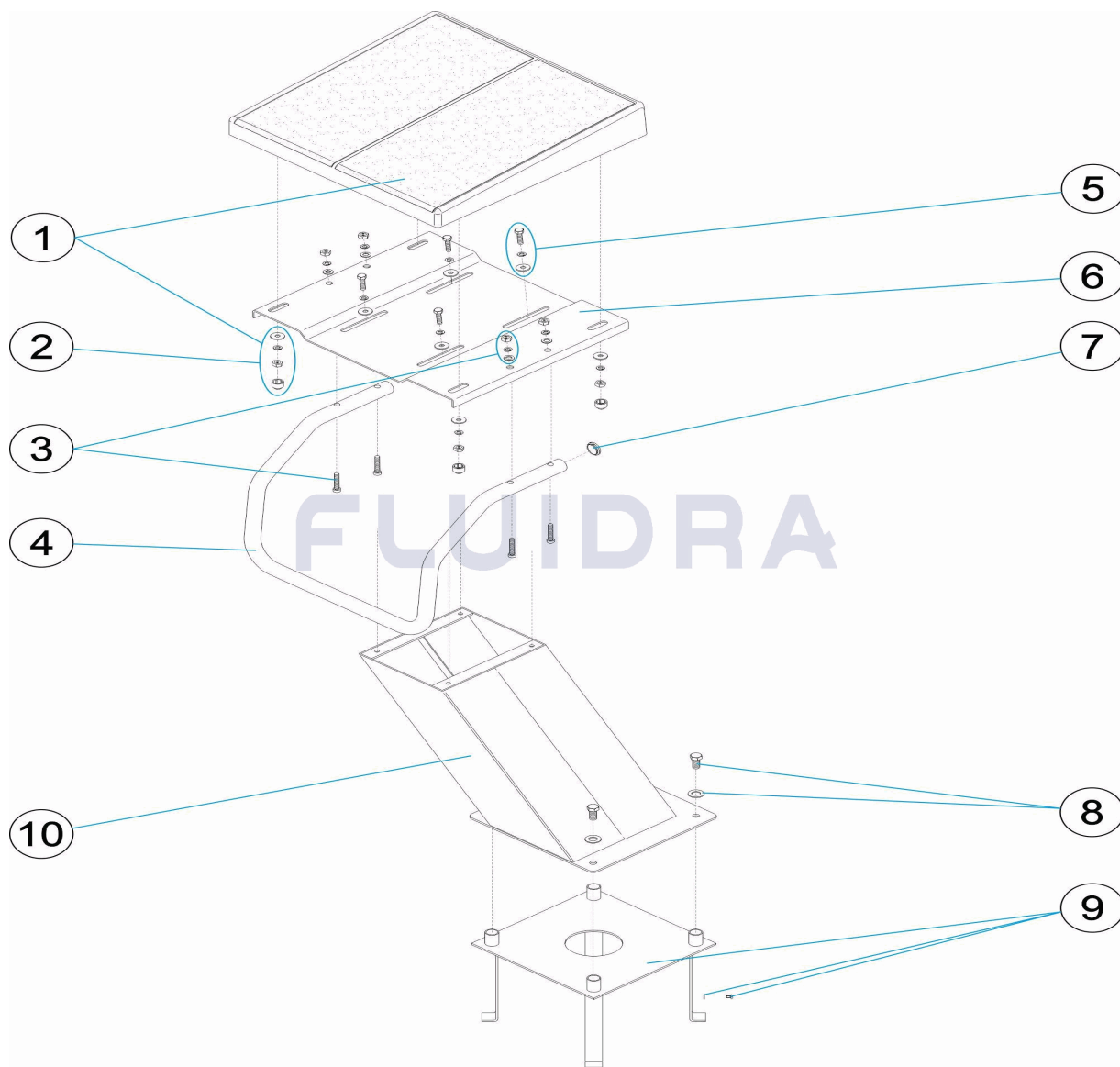


CODIGO **00145**

DESCRIPCION: **PODIUM SALIDA NADADORES ALTURA 400 M/M.**

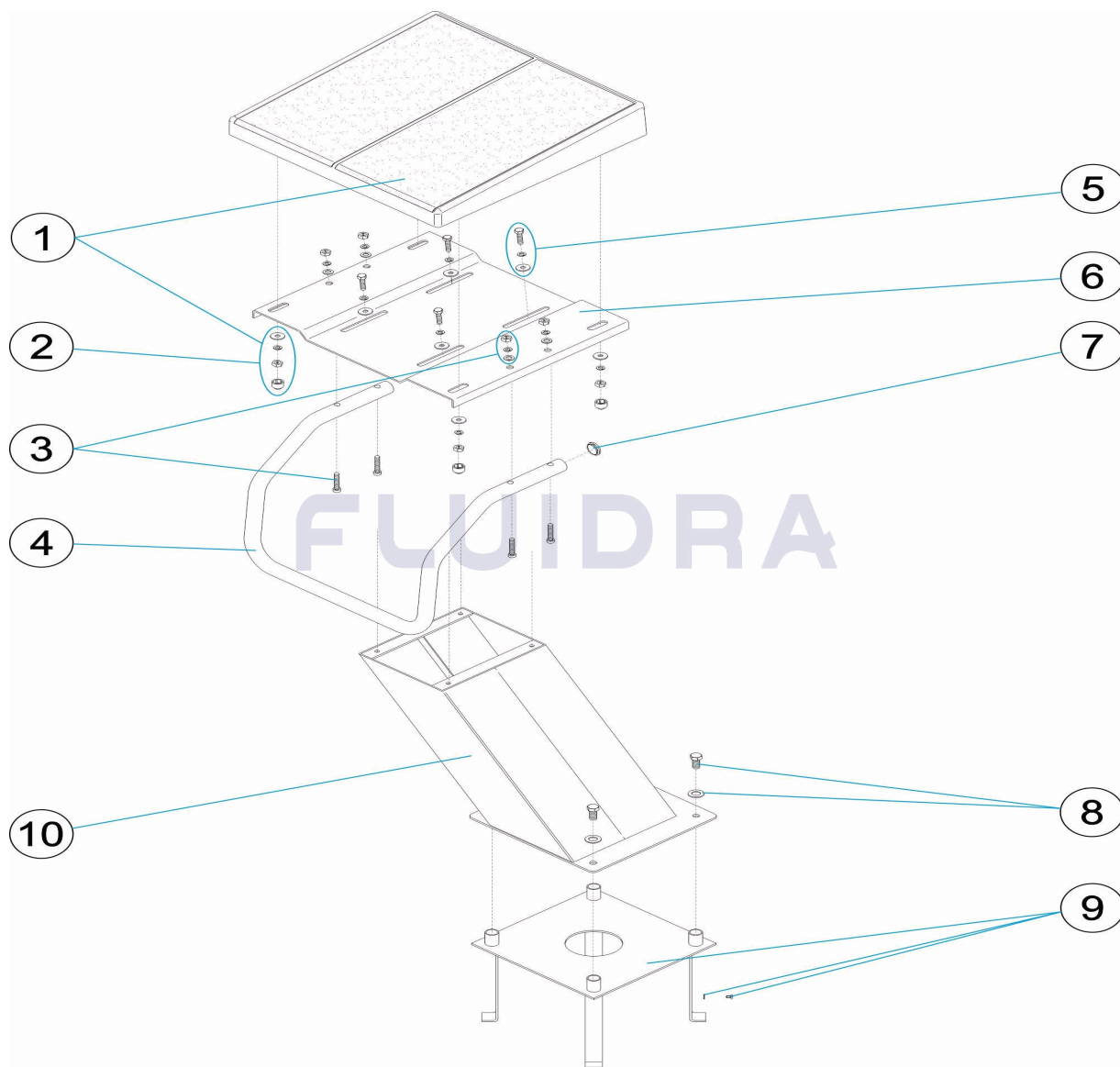


ESPAÑOL

POS	CODIGO	DESCRIPCION	CANTIDAD	POS	CODIGO	DESCRIPCION	CANTIDAD
1	4401060101	PLATAFORMA PODIUM		6	4401060114	BANDEJA AJUSTABLE	
2	4401060110	TORNILLERIA PLATAFORMA 316		7	4401060113	TAPON AGARRADERAS	
3	4401060011	TORNILLERIA AGARRADERA		8	4401060103	TORNILLERIA ANCLAJE PODIUM	
4	4401060111	AGARRADERA PODIUM AISI-316		9	4401060102	ANCLAJE PODIUM	
5	4401060115	TORNILLERIA BANDEJA AJUSTABLE		10	00145R0100	ESTRUCTURA PODIUM	

CODE 00145

DESCRIPTION: PLOT DÉPART NAGEURS HAUTEUR 400 M/M

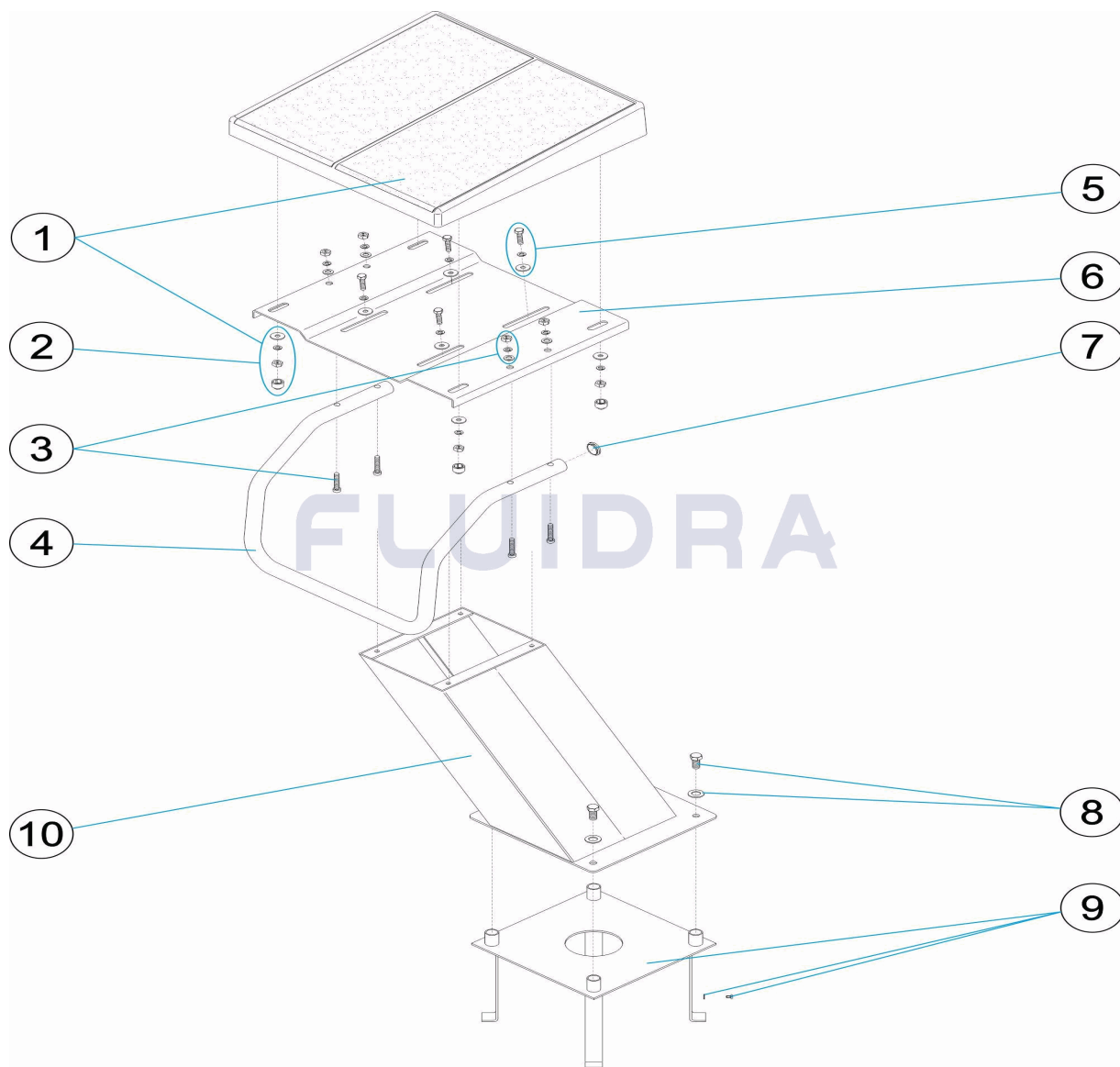


FRANCAIS

POS	CODE	DESCRIPTION	QUANTITE	POS	CODE	DESCRIPTION	QUANTITE
1	4401060101	PLATE-FORME		6	4401060114	PLATEAU AJUSTABLE	
2	4401060110	VISSERIE PLATE-FORME 316		7	4401060113	BOUCHON POUR MAIN COURANTE	
3	4401060011	VIS MAIN COURANTE		8	4401060103	VISSERIE ANCRAGE PLOT DE DEPART	
4	4401060111	RAMPE PLOT DE DÉPART AISI-316		9	4401060102	ANCRAGE PLOT DE DEPART	
5	4401060115	BOULONNERIE PLATEAU AJUSTABLE		10	00145R0100	SOCLE	

CODE **00145**

DESCRIPTION: **COMPETITION STARTING BLOCKS HEIGHT 400 M/M**

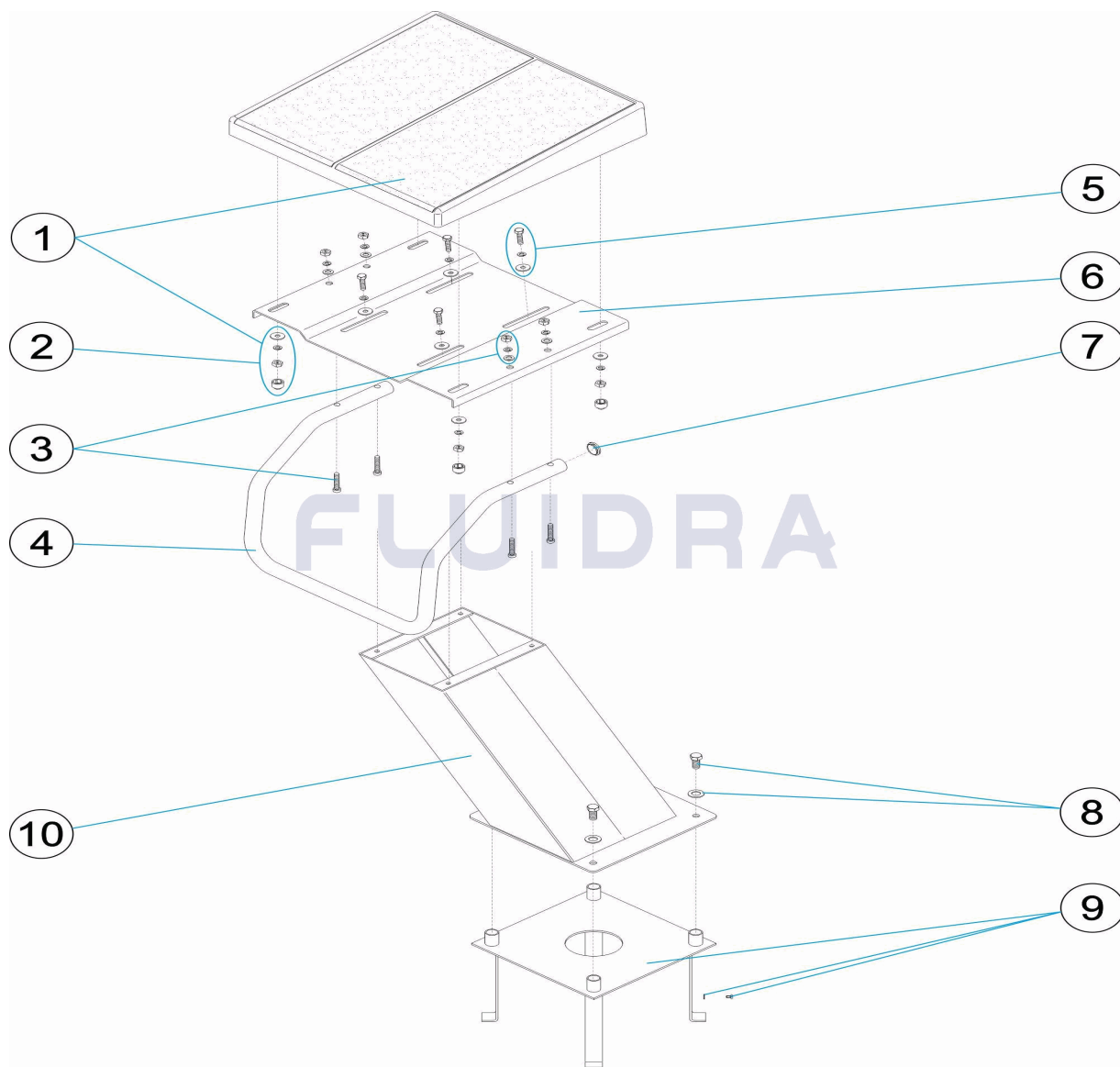


ENGLISH

POS	CODE	DESCRIPTION	QUANTITY	POS	CODE	DESCRIPTION	QUANTITY
1	4401060101	BLOCK PLATFORM		6	4401060114	ADJUSTABLE TRAY	
2	4401060110	PLATFORM SCREWS 316		7	4401060113	GRABRAIL CAP	
3	4401060011	SCREW KIT FOR GRABPULL		8	4401060103	ANCHOR SCREWS	
4	4401060111	GRABRAIL FOR PODIUM AISI-316		9	4401060102	ANCHOR	
5	4401060115	BOLD SET FOR ADJUSTABLE TRAY		10	00145R0100	PODIUM STRUCTURE	

CODICE **00145**

DESCRIZIONE: **PODIO USCITA NUOTATORI ALTEZZA 400 M/M**

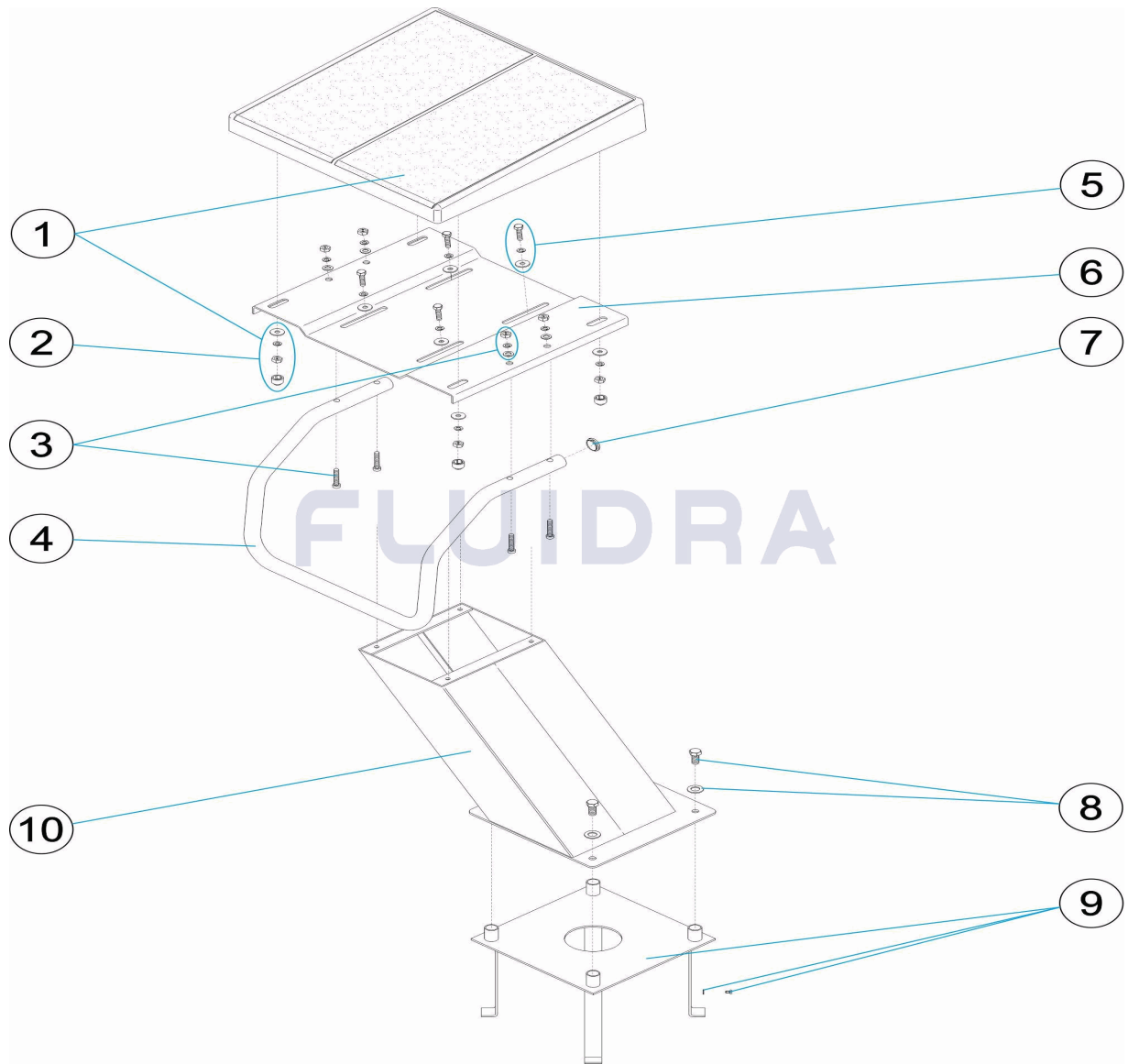


ITALIANO

POS	CODICE	DESCRIZIONE	QUANTITA'	POS	CODICE	DESCRIZIONE	QUANTITA'
1	4401060101	PIATTAFORMA		6	4401060114	VASSOIO REGOLABILE	
2	4401060110	KIT VITI PIATTAFORMA 316		7	4401060113	TAPPO CORRIMANO	
3	4401060011	KIT VITI CORRIMANO		8	4401060103	KIT BULLONERIA PER PIATTAFORMA	
4	4401060111	CORRIMANO BLOCCO PARTENZA AISI-316		9	4401060102	ANCORAGGIO	
5	4401060115	BULLONERIA VASSOIO REGOLABILE		10	00145R0100	STRUTTURA PODIO	

CODE **00145**

BESCHREIBUNG: **STARTBOCK HÖHE 400 M/M**

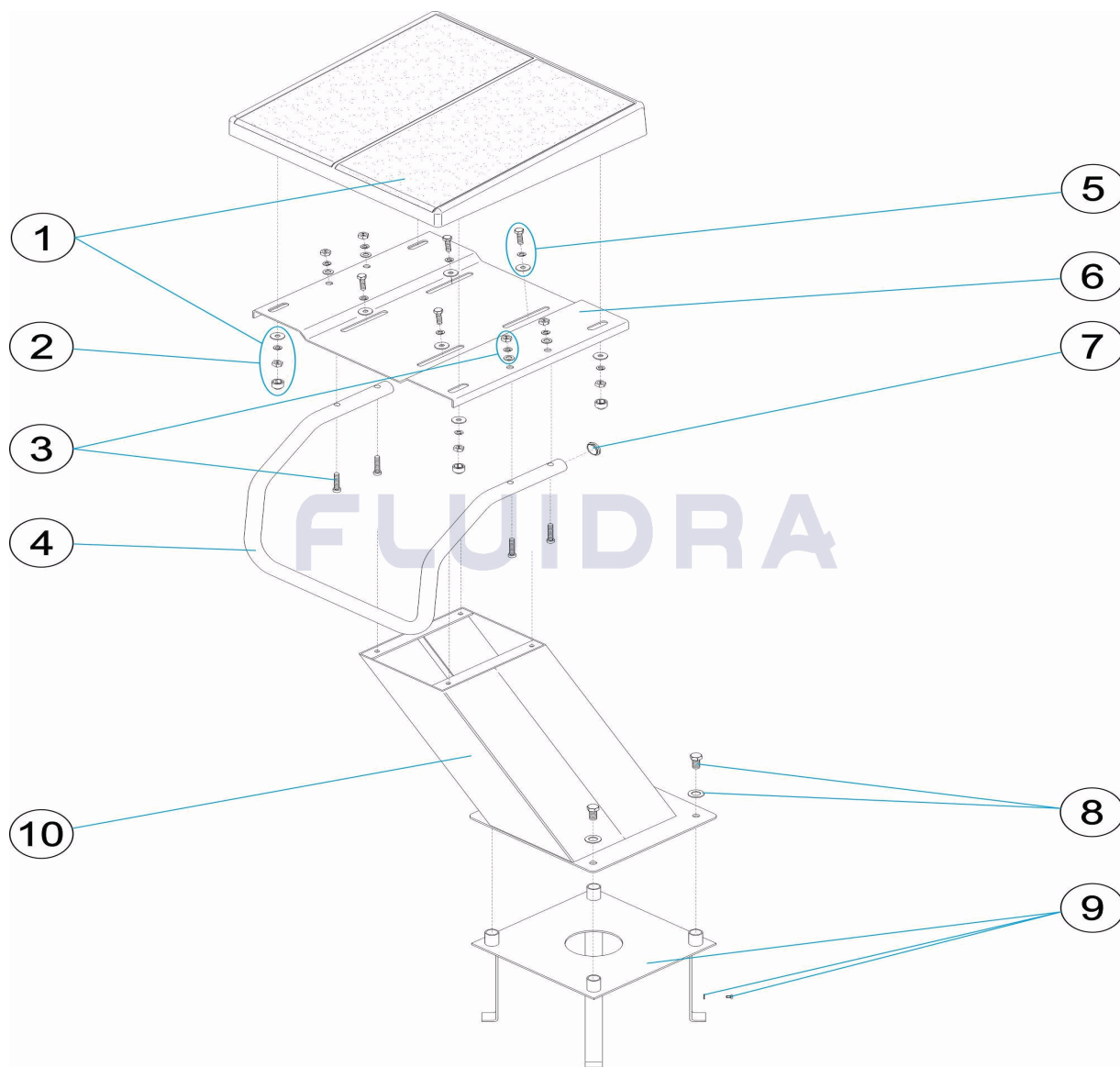


DEUTSCH

POS	CODE	BESCHREIBUNG	MENGE	POS	CODE	BESCHREIBUNG	MENGE
1	4401060101	PLATTFORM STARTBOCK		6	4401060114	REGULIERBARE PLATTE	
2	4401060110	SCHRAUBENSATZ PLATTFORM 316		7	4401060113	STOPFEN HALTEGRIFFE	
3	4401060011	SCHRAUBENSATZ HALTEGRIFF		8	4401060103	SCHRAUBENSATZ VERANKERUNG STARTE	
4	4401060111	HALTEGRIFF STARTBLOCK AISI - 316		9	4401060102	VERANKERUNG STARTBOCK	
5	4401060115	SCHRAUBENSATZ REGULIERBARE PLATT		10	00145R0100	STRUKTUR STARTBOCK	

CODIGO **00145**

DESCRIÇÃO: **PÓDIO SAÍDA NADADORES ALTURA 400 M/M.**



PORTUGUES

POS	CODIGO	DESCRIÇÃO	JANTIDADE	POS	CODIGO	DESCRIÇÃO	JANTIDADE
1	4401060101	PLATAFORMA PODIUM		6	4401060114	BANDEJA AJUSTAVEL	
2	4401060110	CONJ. PARAFUSOS PLATAFORMA 316		7	4401060113	TAMPAO DA AGARRADEIRA	
3	4401060011	CONJ. PARAFUSOS AGARRADEIRA		8	4401060103	PARAFUSOS ÂNCORA PODIUM	
4	4401060111	AGARRADEIRA PODIUM AISI-316		9	4401060102	ÂNCORA PODIUM	
5	4401060115	KIT DE PARAFUSOS BANDEJA AJUSTAVEL		10	00145R0100	ESTRUTURA PODIUM	