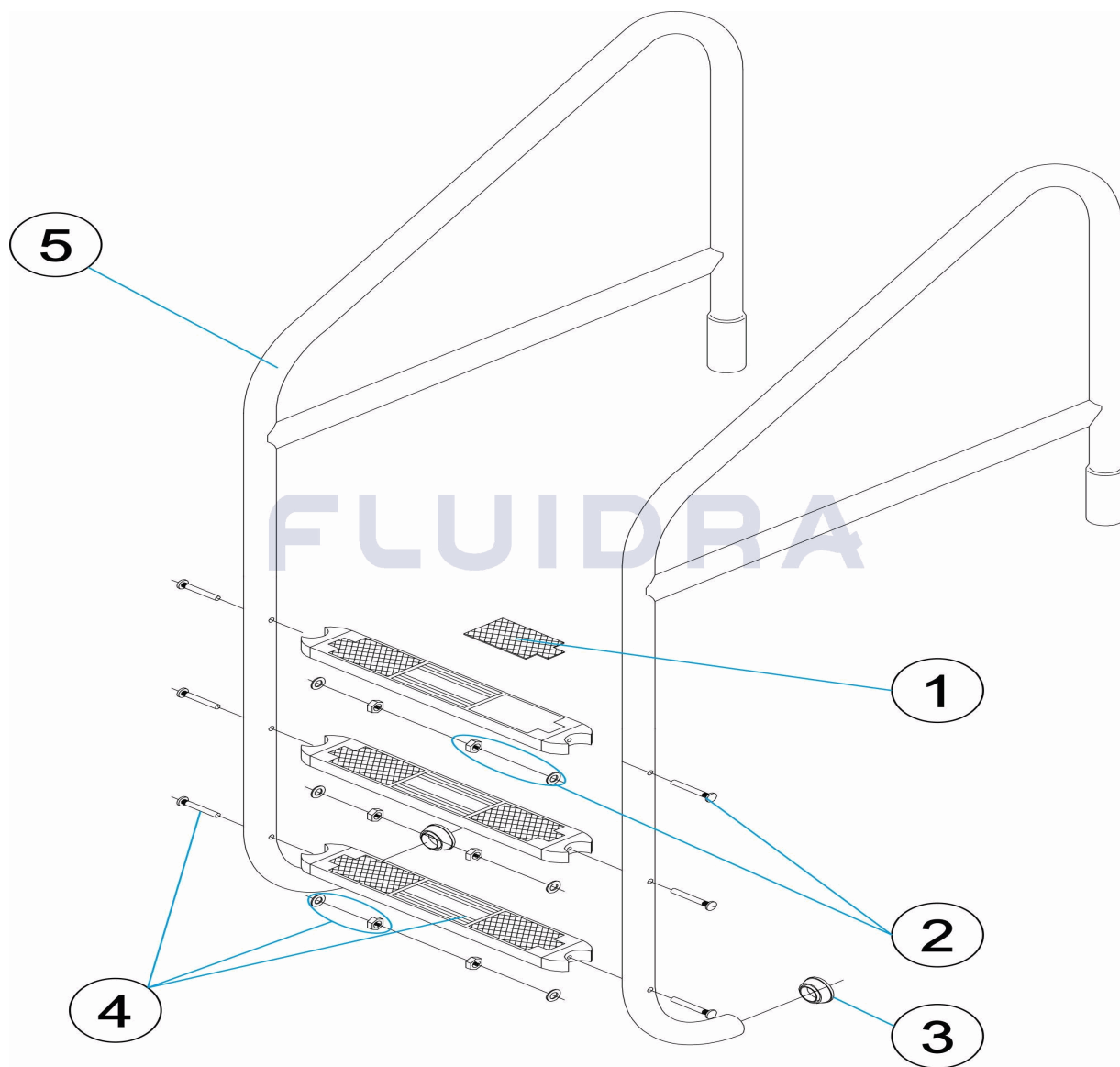


CODIGO **10982, 10983, 10984**

DESCRIPCION: **ESCALERA CON TUBO**



ESPAÑOL

POS	CODIGO	DESCRIPCION	CANTIDAD	POS	CODIGO	DESCRIPCION	CANTIDAD
1	4401010108	TAPETA PELDAÑO LUXE	5	*	10982R0001	PASAMANO ESCALERA 3 PELDAÑOS	
2	4401010111	TORNILLERIA PELDAÑO 316	5	*	10983R0001	PASAMANO ESCALERA 4 PELDAÑOS	
3	4401010112	TOPE ESCALERA	5	*	10984R0001	PASAMANO ESCALERA 5 PELDAÑOS	
4	4401010006	PELDAÑO LUXE AISI 304 R1					

CODIGO 10982, 10983, 10984

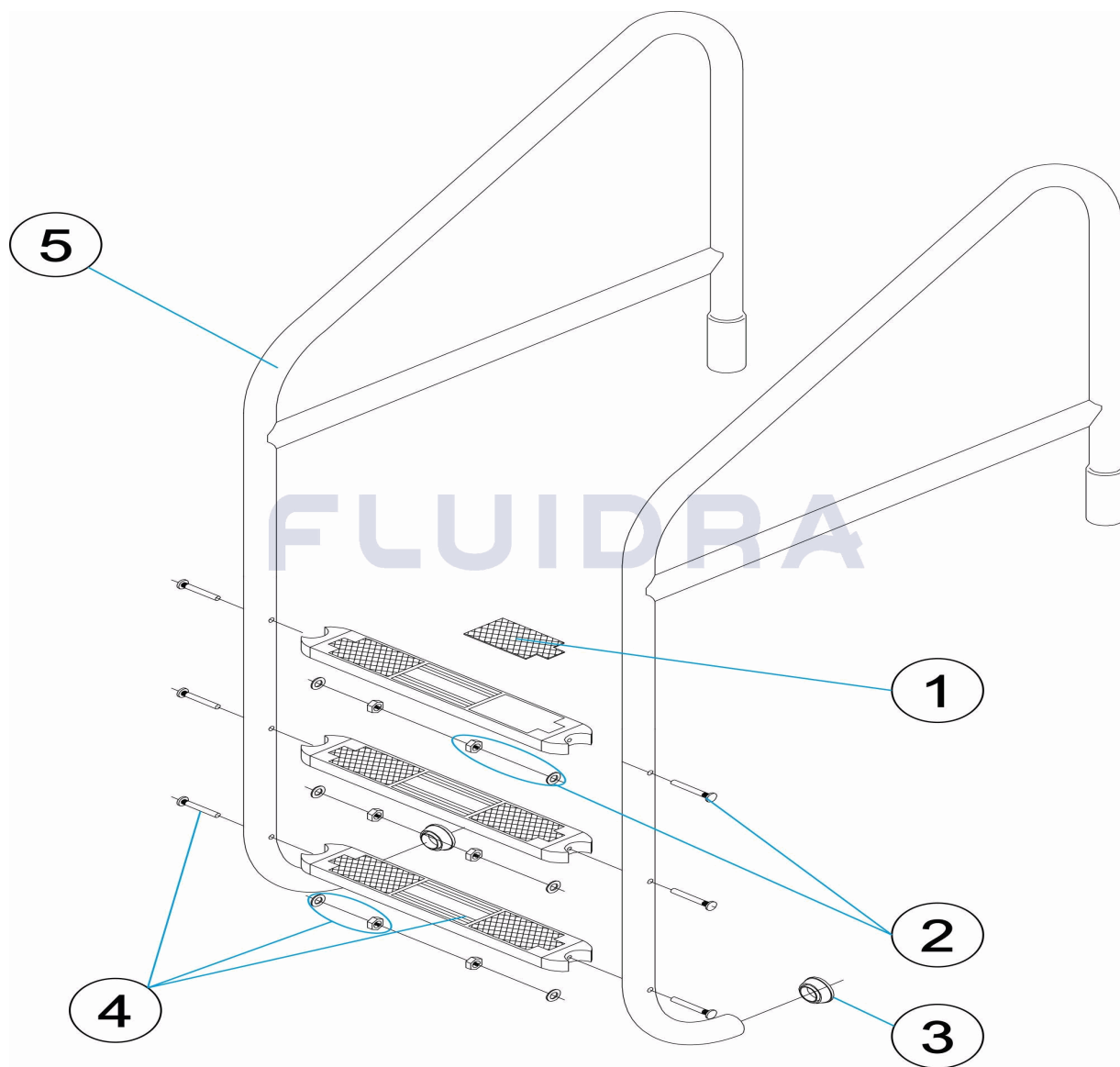
DESCRIPCION: ESCALERA CON TUBO

OBSERVACIONES

POS	CODIGO	OBSERVACIONES
5	* 10982R0001	PARA: 10982
5	* 10983R0001	PARA: 10983
5	* 10984R0001	PARA: 10984

CODE 10982, 10983, 10984

DESCRIPTION: ÉCHELLE AVEC TUBE



FRANCAIS

POS	CODE	DESCRIPTION	QUANTITE	POS	CODE	DESCRIPTION	QUANTITE
1	4401010108	PLAQUE NOIRE POUR MARCHE LUXE	5	* 10982R0001	MAIN COURANTE ECHELLE 3 MARCHES		
2	4401010111	VISSERIE MARCHE AISI 316	5	* 10983R0001	MAIN COURANTE ECHELLE 4 MARCHES		
3	4401010112	TAMPON D'ECHELLE	5	* 10984R0001	MAIN COURANTE ECHELLE 5 MARCHES		
4	4401010006	MARCHE LUXE AISI 304 R1					

CODE **10982, 10983, 10984**

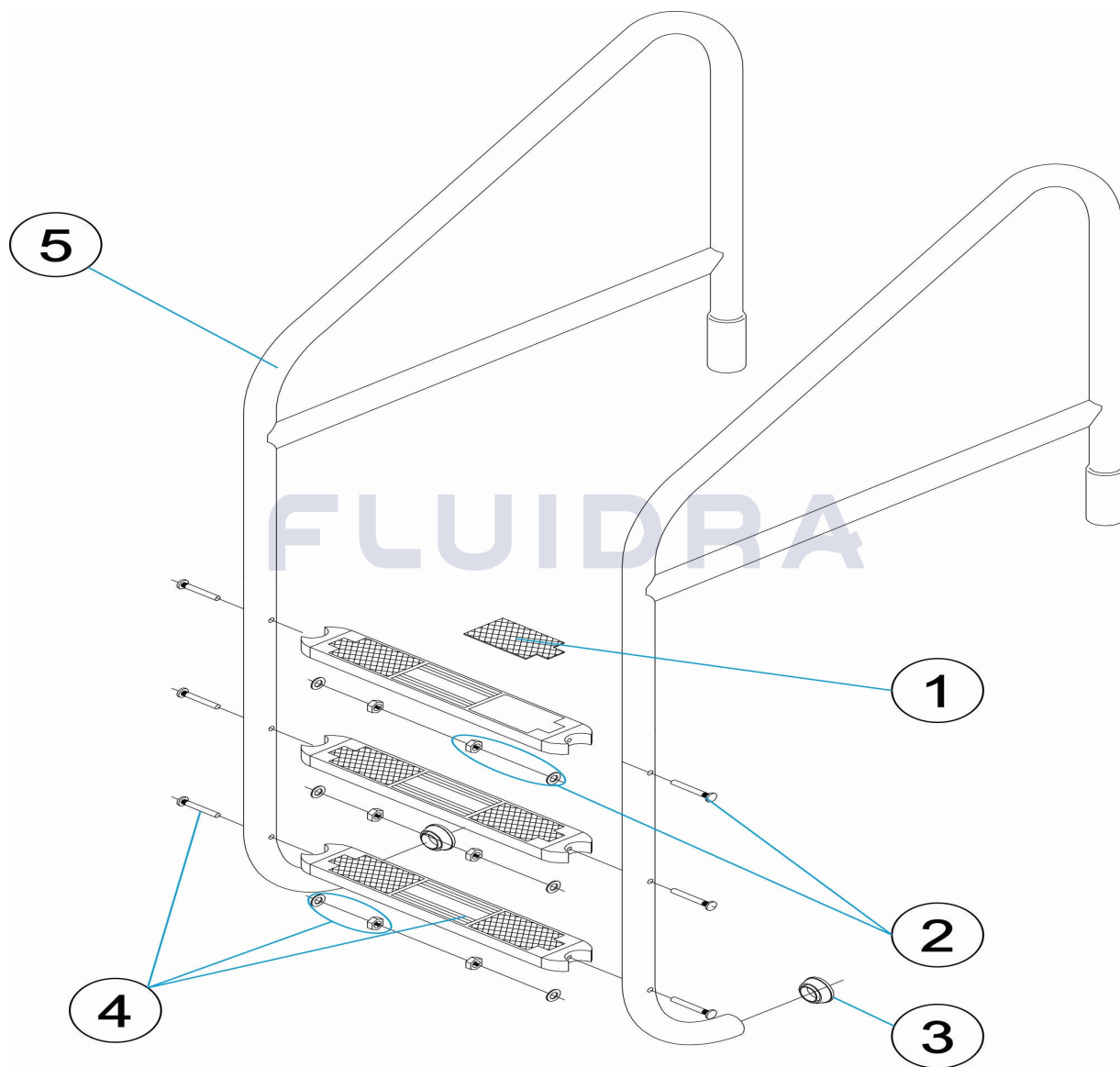
DESCRIPTION: **ÉCHELLE AVEC TUBE**

OBSERVATIONS

POS	CODE	OBSERVATIONS
5	* 10982R0001	POUR: 10982
5	* 10983R0001	POUR: 10983
5	* 10984R0001	POUR: 10984

CODE **10982, 10983, 10984**

DESCRIPTION: **CROSS-BRACED LADDER**



ENGLISH

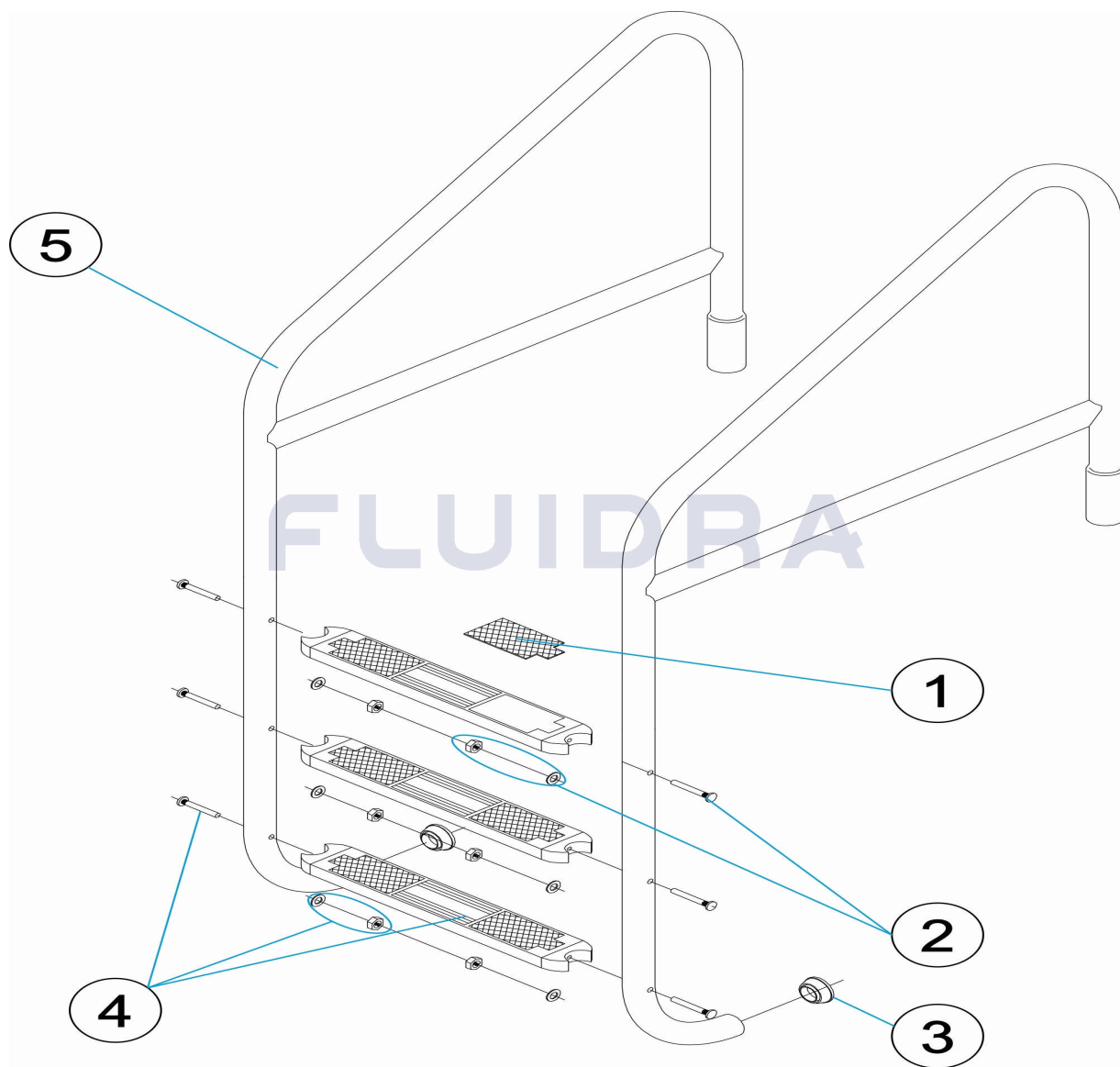
POS	CODE	DESCRIPTION	QUANTITY	POS	CODE	DESCRIPTION	QUANTITY
1	4401010108	DELUXE TREAD END INSERT		5	* 10982R0001	HANDRAIL LADDER 3 STEPS	
2	4401010111	TREAD BOLT SET 316		5	* 10983R0001	HANDRAIL LADDER 4 STEPS	
3	4401010112	LADDER END CAP		5	* 10984R0001	HANDRAIL LADDER 5 STEPS	
4	4401010006	DELUXE TREAD 304 R1					

CODE **10982, 10983, 10984**DESCRIPTION: **CROSS-BRACED LADDER****OBSERVATIONS**

POS	CODE	OBSERVATIONS
5	* 10982R0001	FOR: 10982
5	* 10983R0001	FOR: 10983
5	* 10984R0001	FOR: 10984

CODICE **10982, 10983, 10984**

DESCRIZIONE: **SCALA CON TUBO**



ITALIANO

POS	CODICE	DESCRIZIONE	QUANTITA'	POS	CODICE	DESCRIZIONE	QUANTITA'
1	4401010108	TAPPETINO FINITURA GRADINO LUXE	5	* 10982R0001	CORRIMANO SCALA 3 GRADINI		
2	4401010111	BULLONERIA GRADINO AISI 316	5	* 10983R0001	CORRIMANO SCALA 4 GRADINI		
3	4401010112	TAPPO SCALA	5	* 10984R0001	CORRIMANO SCALA 5 GRADINI		
4	4401010006	GRADINO LUXE AISI 304 R1					

CODICE **10982, 10983, 10984**

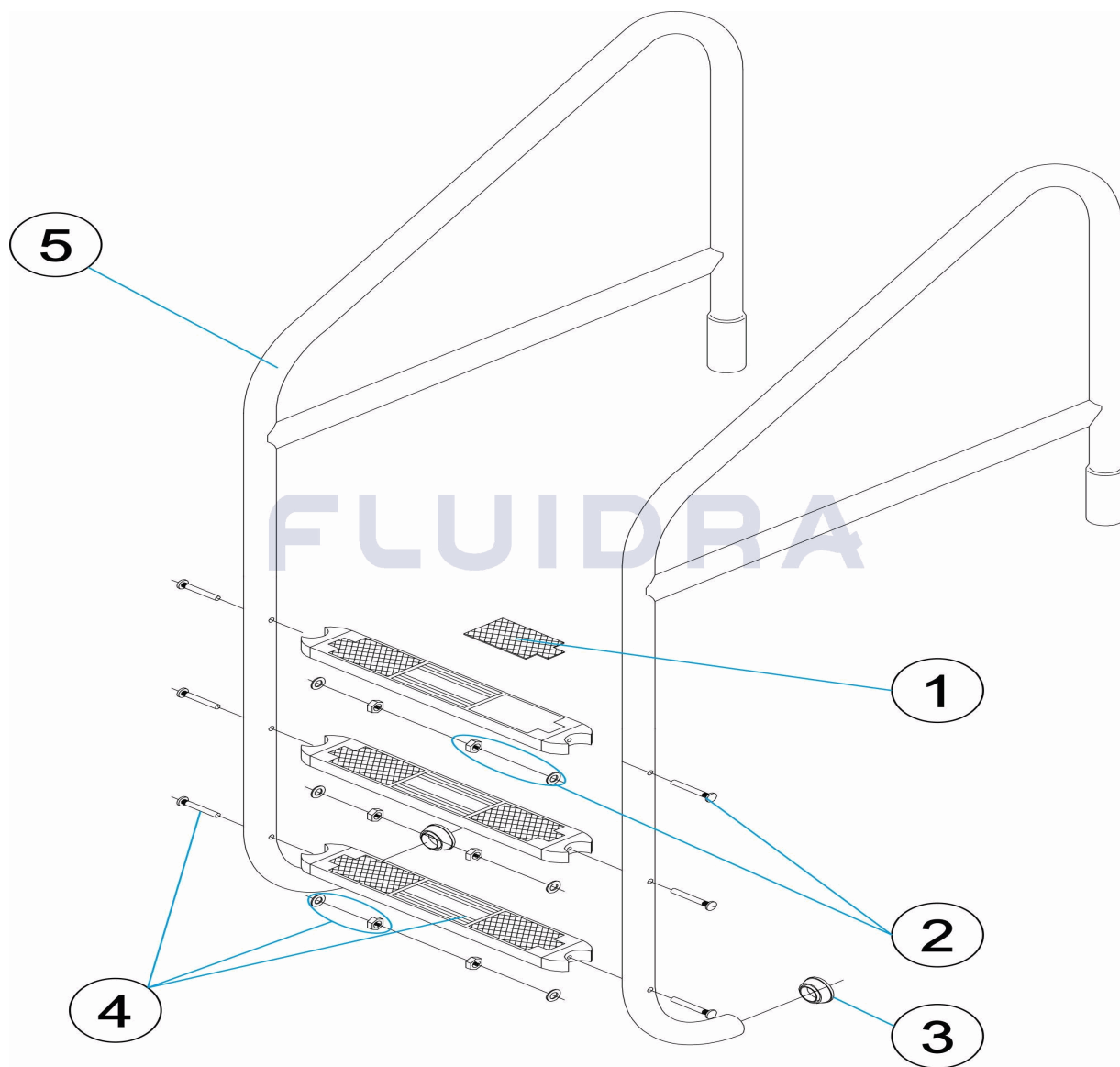
DESCRIZIONE: SCALA CON TUBO

OSSERVAZIONI

POS	CODICE	OSSERVAZIONI
5	* 10982R0001	PER: 10982
5	* 10983R0001	PER: 10983
5	* 10984R0001	PER: 10984

CODE **10982, 10983, 10984**

BESCHREIBUNG: **LEITER MIT ROHR**



DEUTSCH

POS	CODE	BESCHREIBUNG	MENGE	POS	CODE	BESCHREIBUNG	MENGE
1	4401010108	ABSCHLUSSPLATTE STUFE LUXE	5	* 10982R0001	HANDLAUF TREPPE 3 STUFEN		
2	4401010111	SCHRAUBENSATZ STUFE 316	5	* 10983R0001	HANDLAUF TREPPE 4 STUFEN		
3	4401010112	ABSCHLUSS TREPPE	5	* 10984R0001	HANDLAUF TREPPE 5 STUFEN		
4	4401010006	STUFE LUXE AISI 304 R1					

CODE **10982, 10983, 10984**

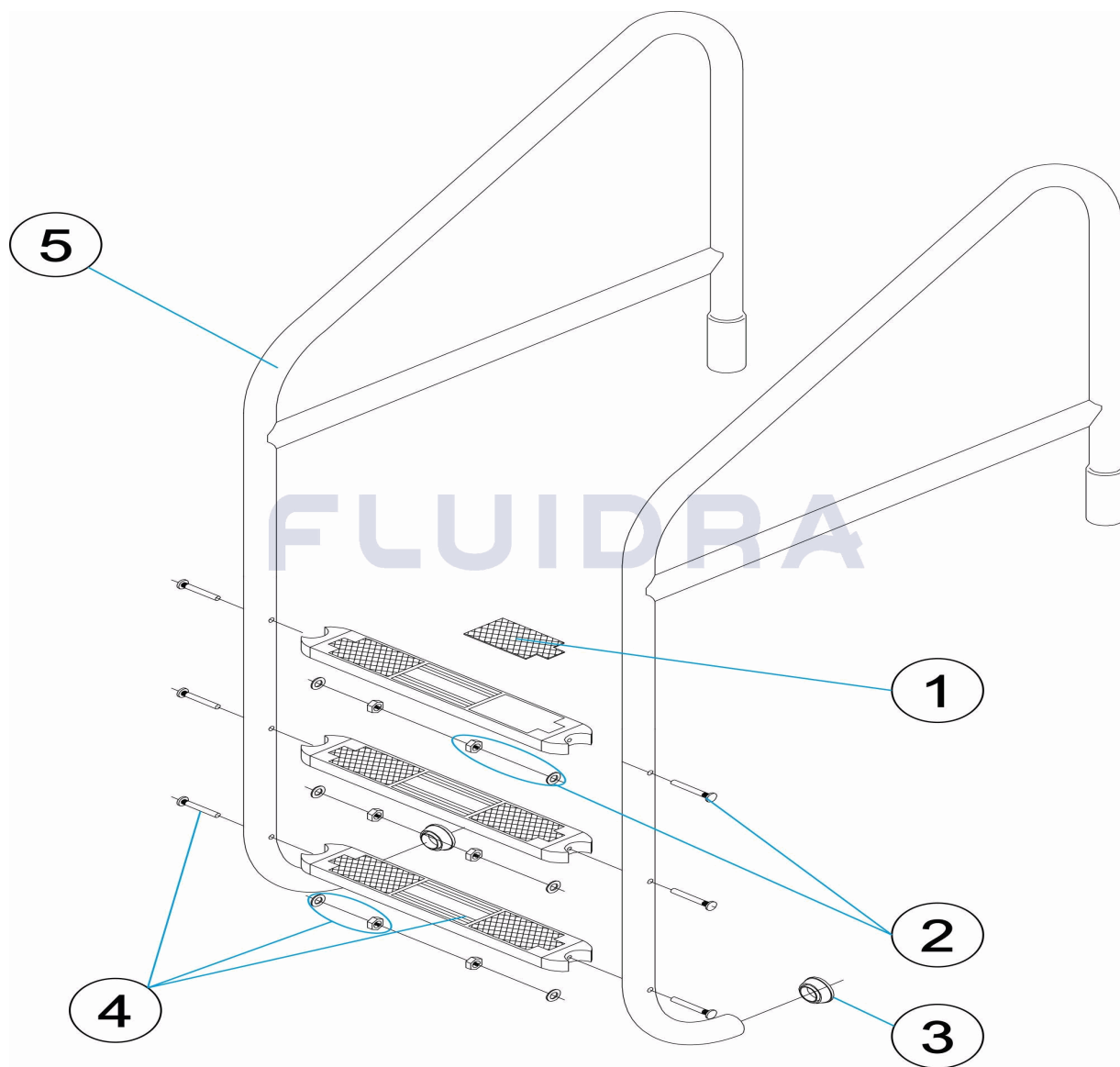
BESCHREIBUNG: LEITER MIT ROHR

HINWEISE

POS	CODE	HINWEISE
5	* 10982R0001	FÜR: 10982
5	* 10983R0001	FÜR: 10983
5	* 10984R0001	FÜR: 10984

CODIGO **10982, 10983, 10984**

DESCRIÇÃO: **ESCADA COM TUBO**



PORTUGUES

POS	CODIGO	DESCRIÇÃO	JANTIDADE	POS	CODIGO	DESCRIÇÃO	JANTIDADE
1	440101008	ANTI DERRAPANTE DEGRAU LUXE	5	* 10982R0001		CORRIMÃO ESCADA 3 DEGRAUS	
2	440101011	PARAFUSOS DEGRAU 316	5	* 10983R0001		CORRIMÃO ESCADA 4 DEGRAUS	
3	440101012	BATENTE ESCADA	5	* 10984R0001		CORRIMÃO ESCADA 5 DEGRAUS	
4	440101006	DEGRAU LUXE 304 R1					

CODIGO **10982, 10983, 10984**

DESCRIÇÃO: **ESCADA COM TUBO**

OBSERVAÇÕES

POS	CODIGO	OBSERVAÇÕES
5	* 10982R0001	PARA: 10982
5	* 10983R0001	PARA: 10983
5	* 10984R0001	PARA: 10984