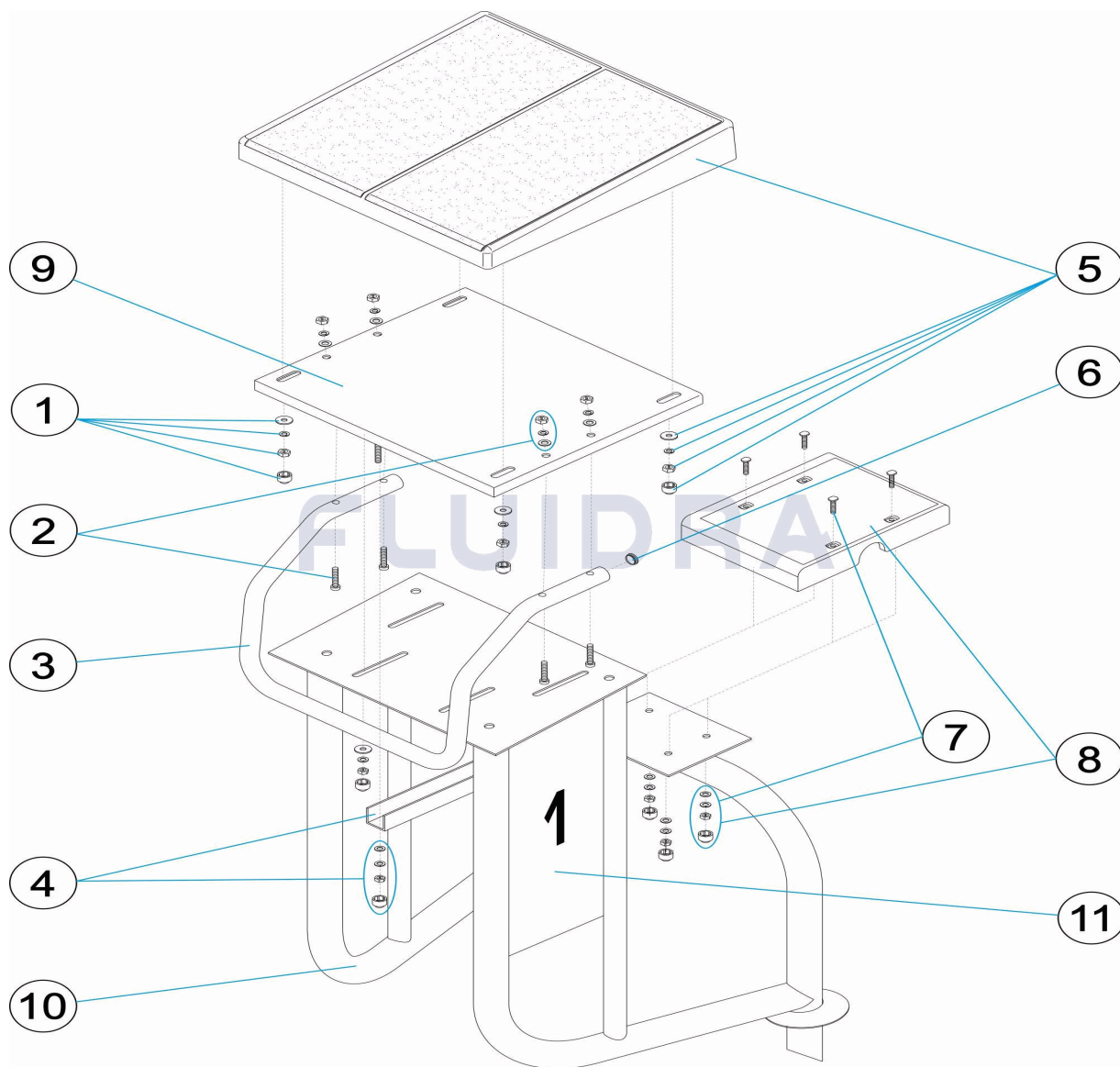


CODIGO **00146**

DESCRIPCION: **PODIUM DE TUBO SALIDA NADADORES ALTURA 700 M/M**



ESPAÑOL

POS	CODIGO	DESCRIPCION	CANTIDAD	POS	CODIGO	DESCRIPCION	CANTIDAD
1	4401060304	TORNILLERIA PLATAFORMA 304		7	4401060305	TORNILLERIA PELDAÑO PODIUM 304	
2	4401060011	TORNILLERIA AGARRADERA		8	4401060301	PELDAÑO PODIUM	
3	4401060111	AGARRADERA PODIUM AISI-316		9	00146R0700	BANDEJA FIJACION PLATAFORMA C.TORNI	
4	4401060303	PERFIL REFUERZO 304		10	00146R0100	ESTRUCTURA PODIUM	
5	4401060302	PLATAFORMA PODIUM		11	* 28616	NÚMERO DE CALLE 1-6 80 MM	
6	4401060113	TAPON AGARRADERAS		11	* 28617	NÚMERO DE CALLE 1-10 80 MM	

CODIGO 00146

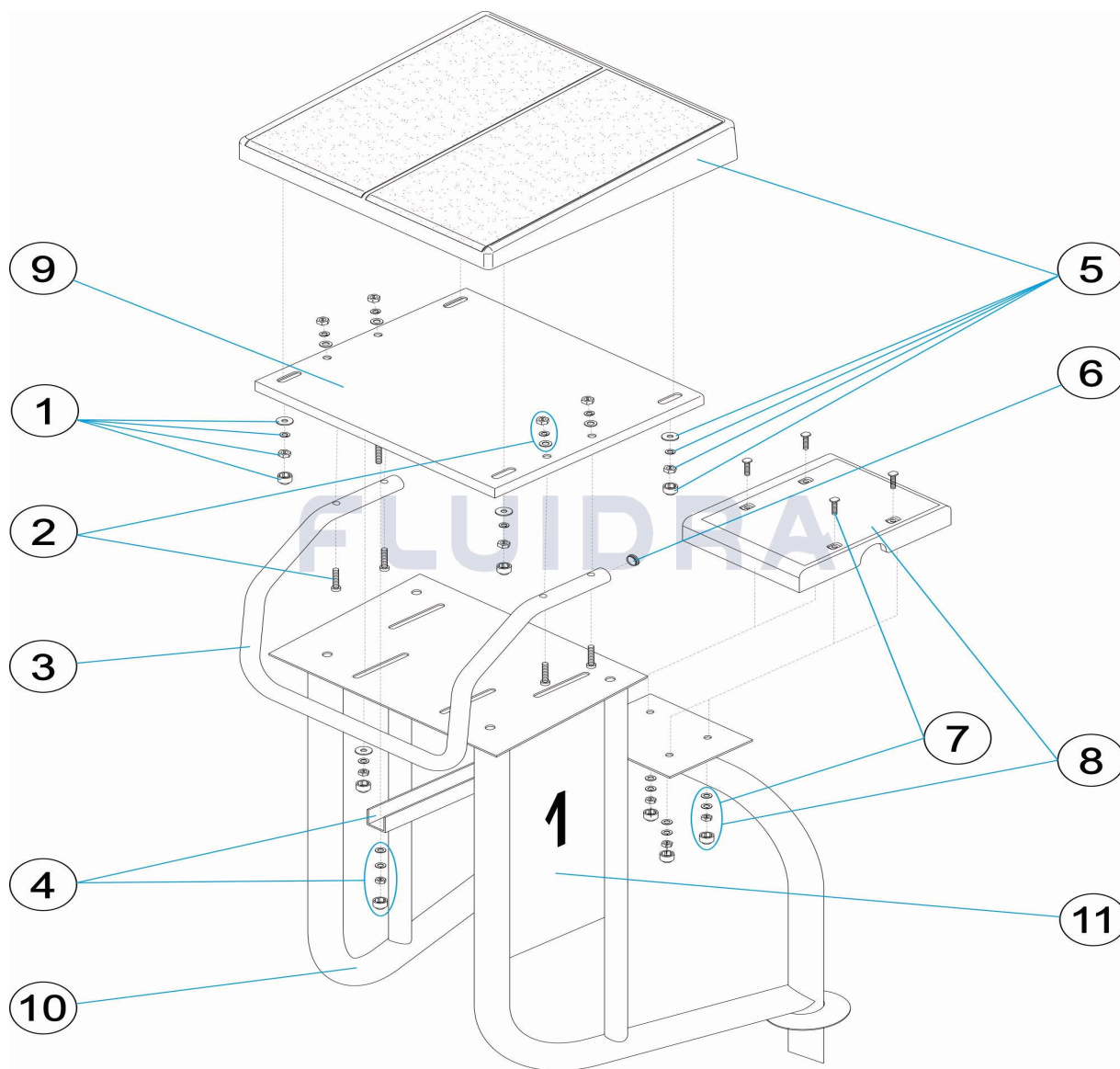
DESCRIPCION: PODIUM DE TUBO SALIDA NADADORES ALTURA 700 M/M

OBSERVACIONES

POS	CODIGO	OBSERVACIONES
11	* 28616	PARA: 1-6 NUMBERS
11	* 28617	PARA: 1-10 NUMBERS

CODE 00146

DESCRIPTION: PLOT AVEC TUBE DÉPART NAGEURS HAUTEUR 700 M/M



FRANCAIS

POS	CODE	DESCRIPTION	QUANTITE	POS	CODE	DESCRIPTION	QUANTITE
1	4401060304	VISSERIE PLATE-FORME INOX 304		7	4401060305	VISSERIE MARCHE INOX 304	
2	4401060011	VIS MAIN COURANTE		8	4401060301	MARCHE INOX	
3	4401060111	RAMPE PLOT DE DÉPART AISI-316		9	00146R0700	PLAQUE DE FIXATION PLATEFORME A VIS	
4	4401060303	RAIL DE REGLAGE PLATEFORME INOX 304		10	00146R0100	SOCLE	
5	4401060302	PLATE-FORME		11	* 28616	NUMÉRO DE RUE 1-6 80 MM	
6	4401060113	BOUCHON POUR MAIN COURANTE		11	* 28617	NUMÉRO DE RUE 1-10 80 MM	

CODE **00146**

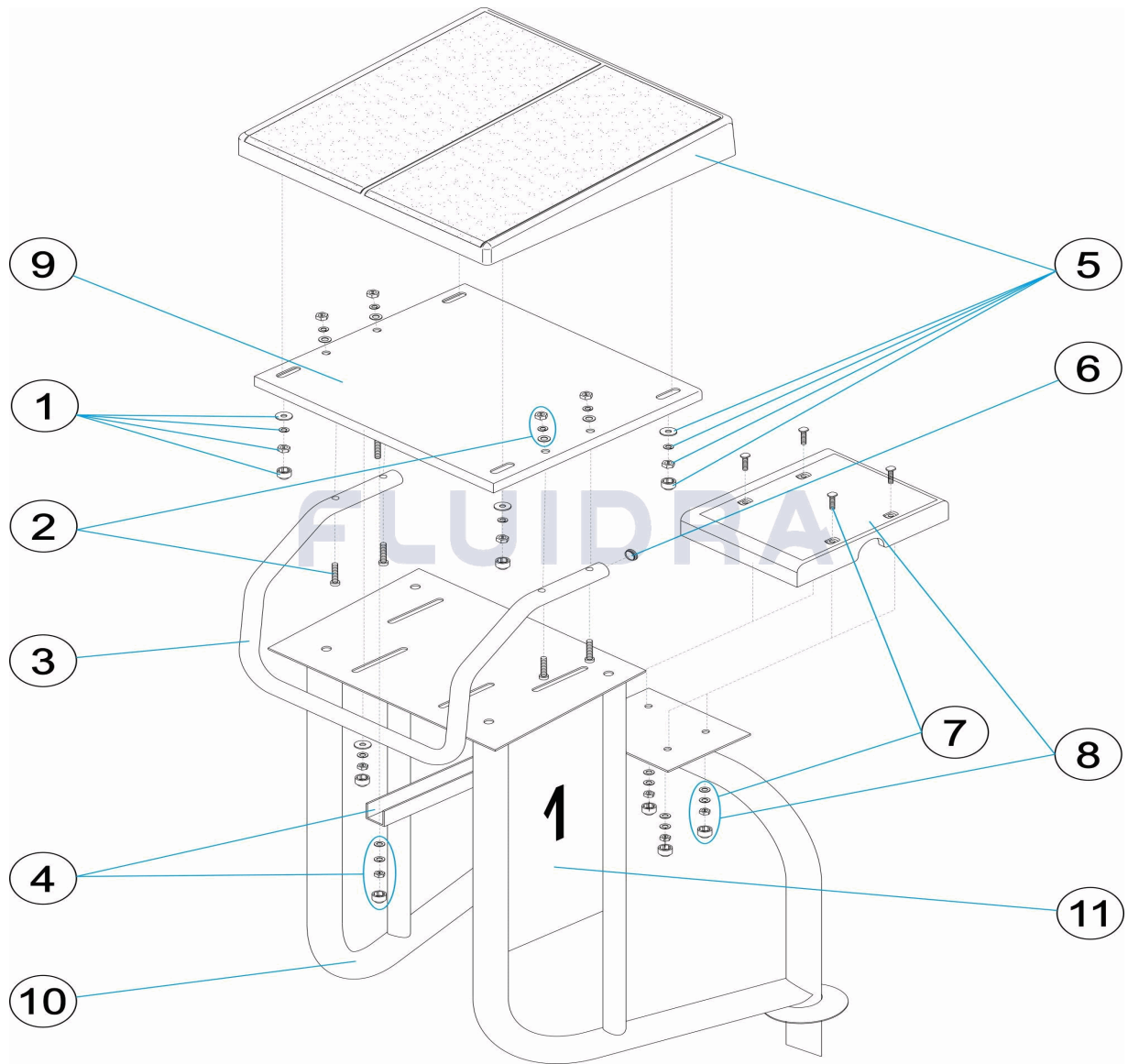
DESCRIPTION: **PLOT AVEC TUBE DÉPART NAGEURS HAUTEUR 700 M/M**

OBSERVATIONS

POS	CODE	OBSERVATIONS
11	* 28616	POUR: 1-6 NUMBERS
11	* 28617	POUR: 1-10 NUMBERS

CODE **00146**

DESCRIPTION: **TUBING COMPETITION STARTING BLOCKS HEIGHT 700 M/M**



ENGLISH

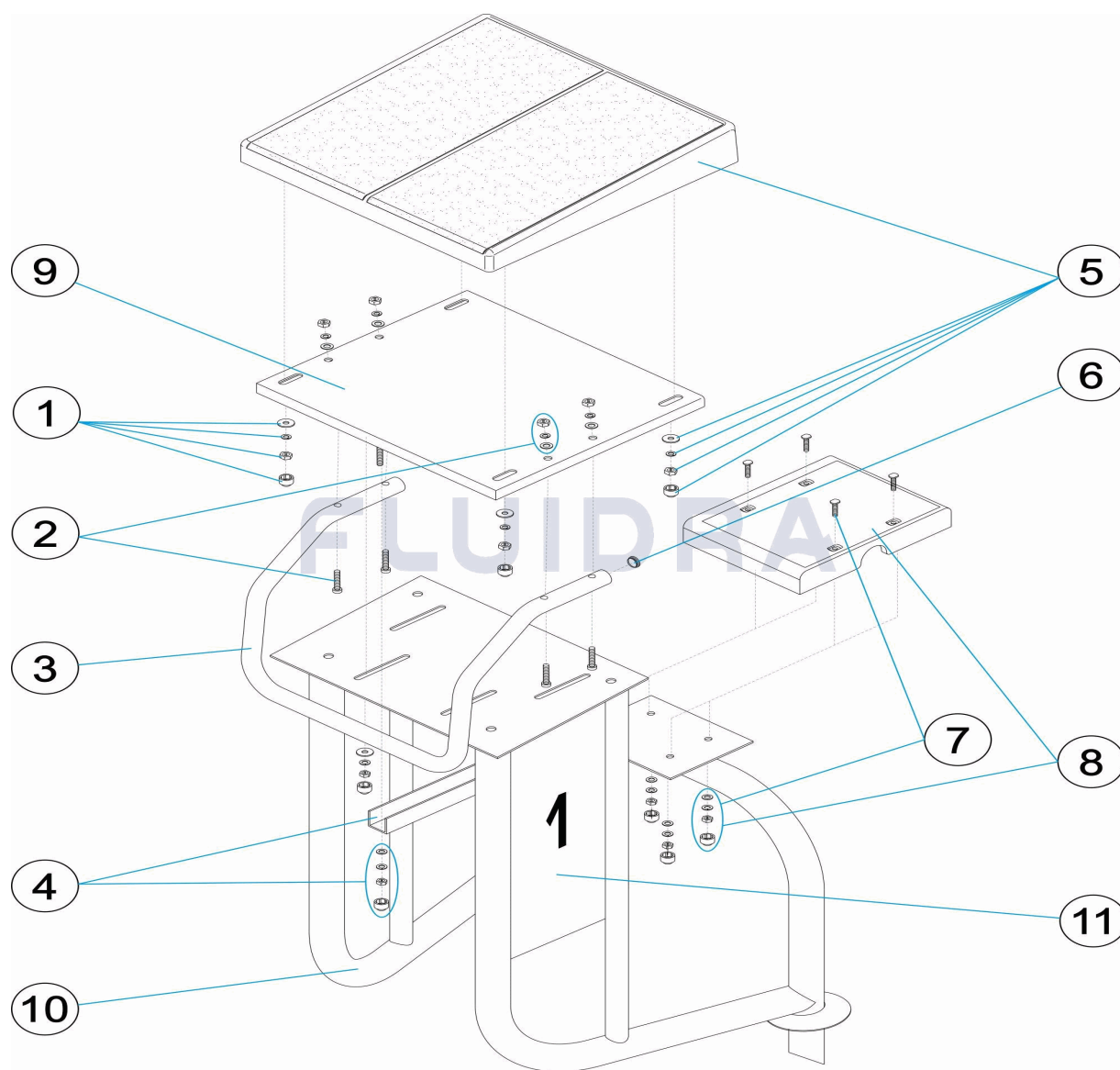
POS	CODE	DESCRIPTION	QUANTITY	POS	CODE	DESCRIPTION	QUANTITY
1	4401060304	NUTS & WASHERS FOR PLATFORM 304		7	4401060305	BOLT SET FOR STEP 304	
2	4401060011	SCREW KIT FOR GRABPULL		8	4401060301	BLOCK STEP SET	
3	4401060111	GRABRAIL FOR PODIUM AISI-316		9	00146R0700	PLATFORM FIXING PLATE	
4	4401060303	REINFORCING PROFILE 304		10	00146R0100	PODIUM STRUCTURE	
5	4401060302	BLOCK PLATFORM		11	* 28616	STREET NUMBER 1-6 80 MM	
6	4401060113	GRABRAIL CAP		11	* 28617	STREET NUMBER 1-10 80 MM	

CODE **00146**DESCRIPTION: **TUBING COMPETITION STARTING BLOCKS HEIGHT 700 M/M****OBSERVATIONS**

POS	CODE	OBSERVATIONS
11	* 28616	FOR: 1-6 NUMBERS
11	* 28617	FOR: 1-10 NUMBERS

CODICE **00146**

DESCRIZIONE: **PODIO TUBO USCITA NUOTATORI ALTEZZA 700 M/M**



ITALIANO

POS	CODICE	DESCRIZIONE	QUANTITA'	POS	CODICE	DESCRIZIONE	QUANTITA'
1	4401060304	KIT BULLONERIA PIATTAFORMA 304		7	4401060305	KIT BULLONERIA GRADINO BLOCCO 304	
2	4401060011	KIT VITI CORRIMANO		8	4401060301	GRADINO BLOCCO PARTENZA	
3	4401060111	CORRIMANO BLOCCO PARTENZA AISI-316		9	00146R0700	BASE FISSAGGIO PIATTAFORMA C/VITI	
4	4401060303	PROFILO RINFORZO 304		10	00146R0100	TRUTTURA PODIO	
5	4401060302	PIATTAFORMA		11	* 28616	NUMERO CIVICO 1-6 80 MM	
6	4401060113	TAPPO CORRIMANO		11	* 28617	NUMERO CIVICO 1-10 80 MM	

CODICE 00146

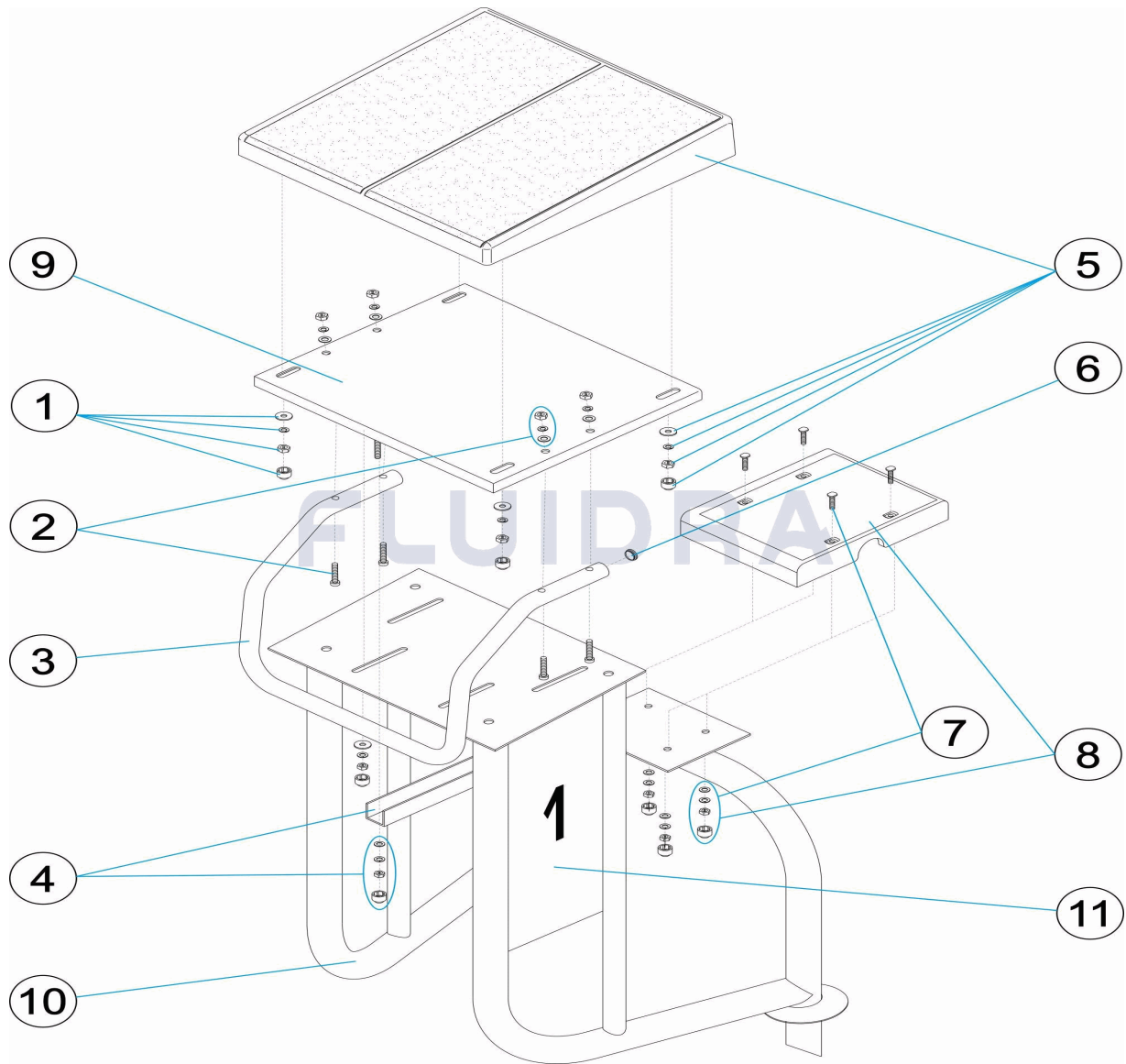
DESCRIZIONE: PODIO TUBO USCITA NUOTATORI ALTEZZA 700 M/M

OSSERVAZIONI

POS	CODICE	OSSERVAZIONI
11	* 28616	PER: 1-6 NUMBERS
11	* 28617	PER: 1-10 NUMBERS

CODE **00146**

BESCHREIBUNG: **STARTBOCK ROHRKONSTRUKTION HÖHE 700 M/M**



DEUTSCH

POS	CODE	BESCHREIBUNG	MENGE	POS	CODE	BESCHREIBUNG	MENGE
1	4401060304	SCHRAUBENSATZ PLATTFORM 304		7	4401060305	SCHRAUBENSATZ STUFE STARTBOCK 304	
2	4401060011	SCHRAUBENSATZ HALTEGRIFF		8	4401060301	STUFE STARTBOCK	
3	4401060111	HALTEGRIFF STARTBLOCK AISI - 316		9	00146R0700	FIXIERBASIS PLATTFORM MIT SCHRAUBE	
4	4401060303	VERSTÄRKUNGSPROFIL 304		10	00146R0100	STRUKTUR STARTBOCK	
5	4401060302	PLATTFORM STARTBOCK		11	* 28616	SCHWIMMBAHNNUMMER 1-6 80 MM	
6	4401060113	STOPFEN HALTEGRIFFE		11	* 28617	SCHWIMMBAHNNUMMER 1-10 80 MM	

CODE **00146**

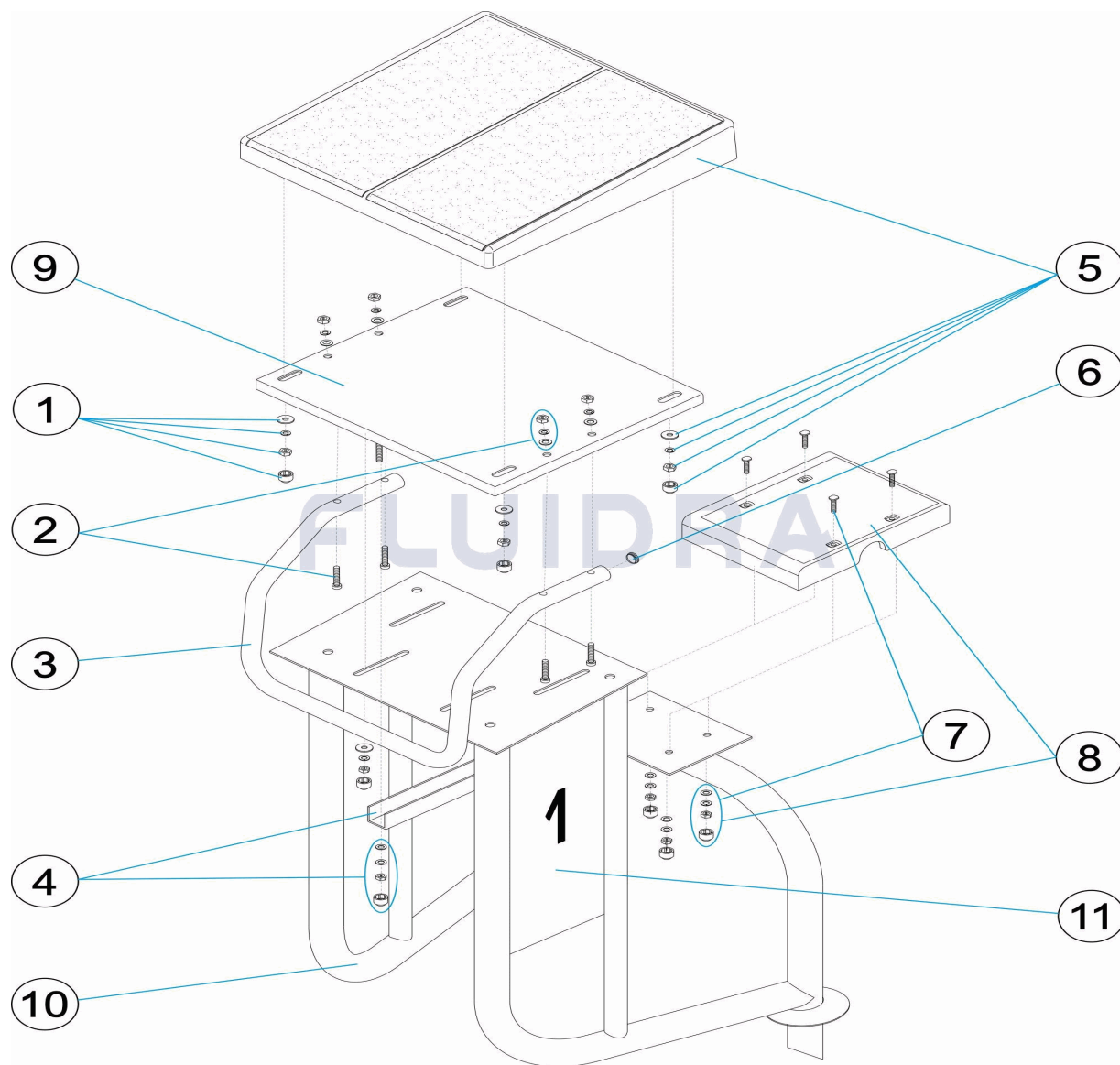
BESCHREIBUNG: **STARTBOCK ROHRKONSTRUKTION HÖHE 700 M/M**

HINWEISE

POS	CODE	HINWEISE
11	* 28616	FÜR: 1-6 NUMBERS
11	* 28617	FÜR: 1-10 NUMBERS

CODIGO **00146**

DESCRICAÇÃO: **PÓDIO DE TUBO SAÍDA NADADORES ALTURA 700 M/M.**



PORTUGUES

POS	CODIGO	DESCRICAÇÃO	JANTIDADE	POS	CODIGO	DESCRICAÇÃO	JANTIDADE
1	4401060304	PARAFUSOS PLATAFORMA 304		7	4401060305	PARAFUSOS DEGRAU PODIUM 304	
2	4401060011	CONJ. PARAFUSOS AGARRADEIRA		8	4401060301	DEGRAU PODIUM	
3	4401060111	AGARRADEIRA PODIUM AISI-316		9	00146R0700	BANDEJA FIXAÇÃO PLATAFORMA C.PARAF	
4	4401060303	PERFIL REFORÇO 304		10	00146R0100	ESTRUTURA PODIUM	
5	4401060302	PLATAFORMA PODIUM		11	* 28616	NÚMERO DE RUA 1-6 80 MM	
6	4401060113	TAMPAO DA AGARRADEIRA		11	* 28617	NÚMERO DE RUA 1-10 80 MM	

CODIGO 00146

DESCRIÇÃO: PÓDIO DE TUBO SAÍDA NADADORES ALTURA 700 M/M.

OBSERVACÕES

POS	CODIGO	OBSERVACÕES
11	* 28616	PARA: 1-6 NUMBERS
11	* 28617	PARA: 1-10 NUMBERS