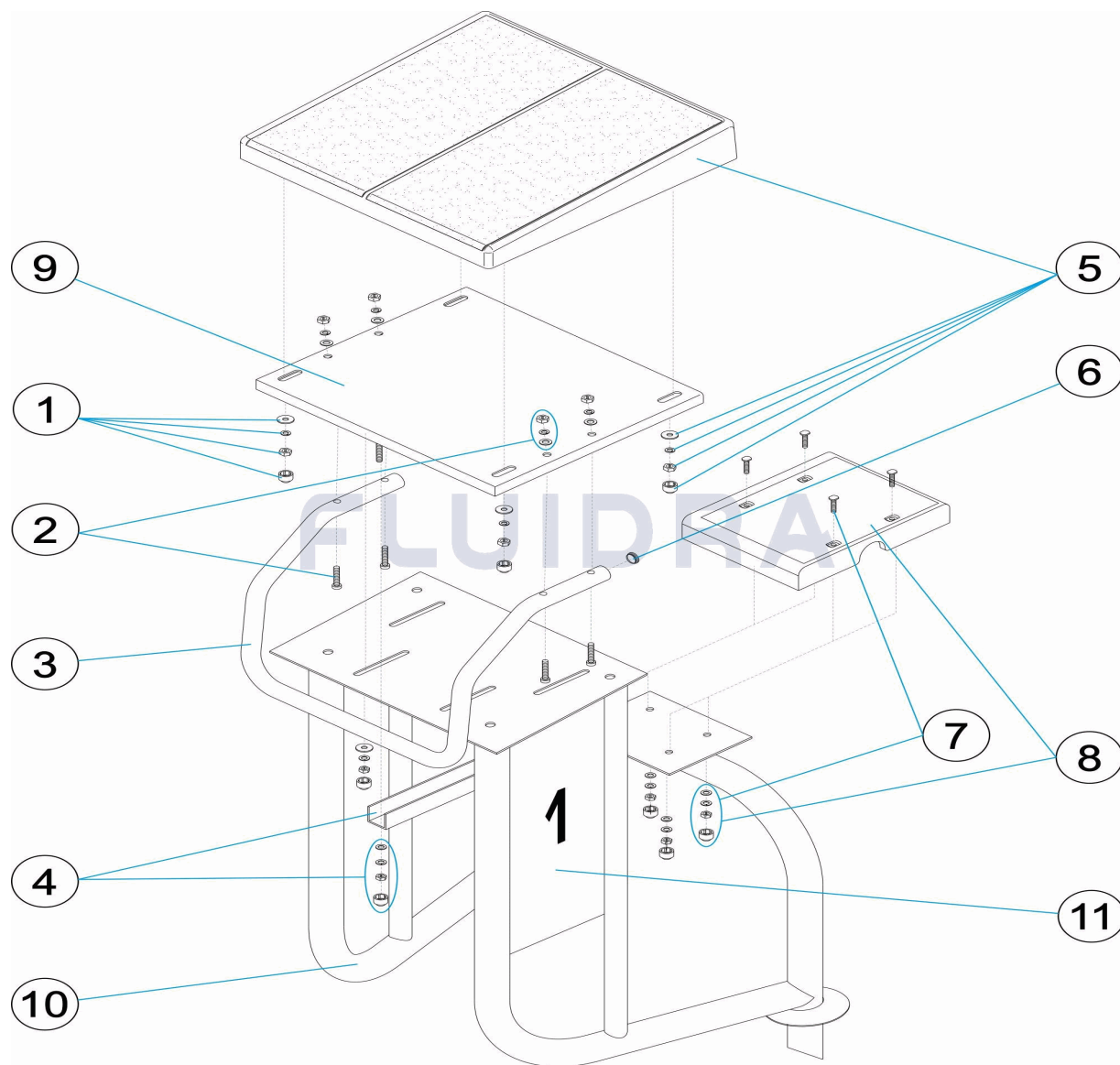


CODIGO **19958, 19959**

DESCRIPCION: **PODIUM DE TUBO SALIDA NADADORES BLANCO ALTURA 700 Y 400 M/M.**



ESPAÑOL

POS	CODIGO	DESCRIPCION	CANTIDAD	POS	CODIGO	DESCRIPCION	CANTIDAD
1	4401060304	TORNILLERIA PLATAFORMA 304		8	4401060301	PELDAÑO PODIUM	
2	4401060011	TORNILLERIA AGARRADERA		9	19958R0700	BANDEJA PODIUM DE TUBO	
3	4401060510	AGARRADERA PODIUM		10	* 19958R0100	ESTRUCTURA PODIUM (19958)	
4	4401060603	PERFIL REFUERZO BLANCO		10	* 19959R0100	ESTRUCTURA PODIUM (19959)	
5	4401060302	PLATAFORMA PODIUM		11	* 28616	NÚMERO DE CALLE 1-6 80 MM	
6	4401060113	TAPON AGARRADERAS		11	* 28617	NÚMERO DE CALLE 1-10 80 MM	
7	4401060305	TORNILLERIA PELDAÑO PODIUM 304					

CODIGO 19958, 19959

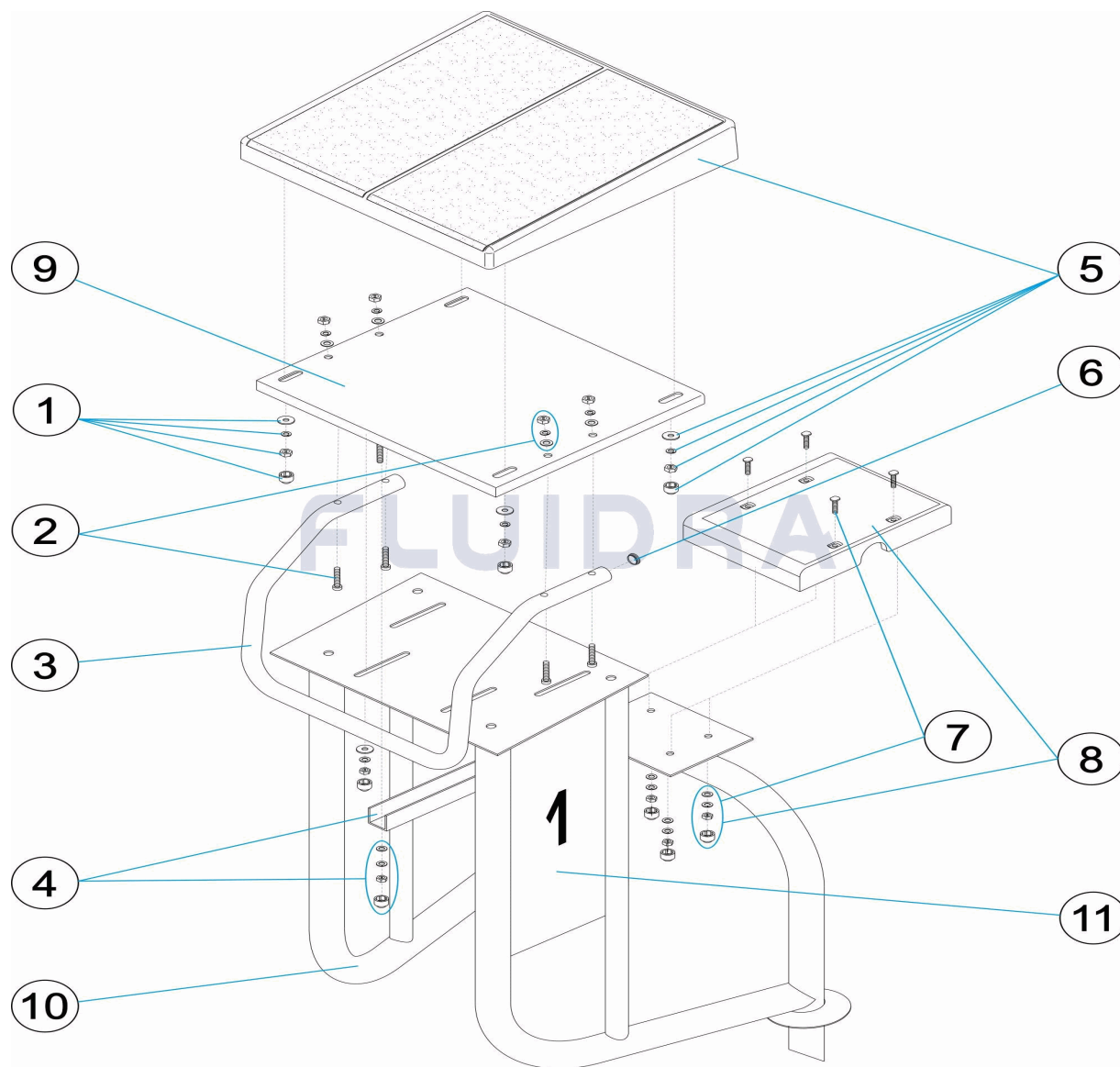
DESCRIPCION: PODIUM DE TUBO SALIDA NADADORES BLANCO ALTURA 700 Y 400 M/M.

OBSERVACIONES

POS	CODIGO	OBSERVACIONES
10	* 19958R0100	PARA: 19958
10	* 19959R0100	PARA: 19959
11	* 28616	PARA: 1-6 NUMBERS
11	* 28617	PARA: 1-10 NUMBERS

CODE 19958, 19959

DESCRIPTION: PLOT AVEC TUBE DÉPART NAGEURS BLANC HAUTEUR 700 ET 400 M/M



FRANCAIS

POS	CODE	DESCRIPTION	QUANTITE	POS	CODE	DESCRIPTION	QUANTITE
1	4401060304	VISSERIE PLATE-FORME INOX 304		8	4401060301	MARCHE INOX	
2	4401060011	VIS MAIN COURANTE		9	19958R0700	PLAQUE DE FIXATION A VIS	
3	4401060510	MAIN COURANTE PODIUM		10	* 19958R0100	STRUCTURE REF 40407	
4	4401060603	PROFILÉ RENFORCÉ BLANC		10	* 19959R0100	STRUCTURE CODE 27836	
5	4401060302	PLATE-FORME		11	* 28616	NUMÉRO DE RUE 1-6 80 MM	
6	4401060113	BOUCHON POUR MAIN COURANTE		11	* 28617	NUMÉRO DE RUE 1-10 80 MM	
7	4401060305	VISSERIE MARCHE INOX 304					

CODE **19958, 19959**

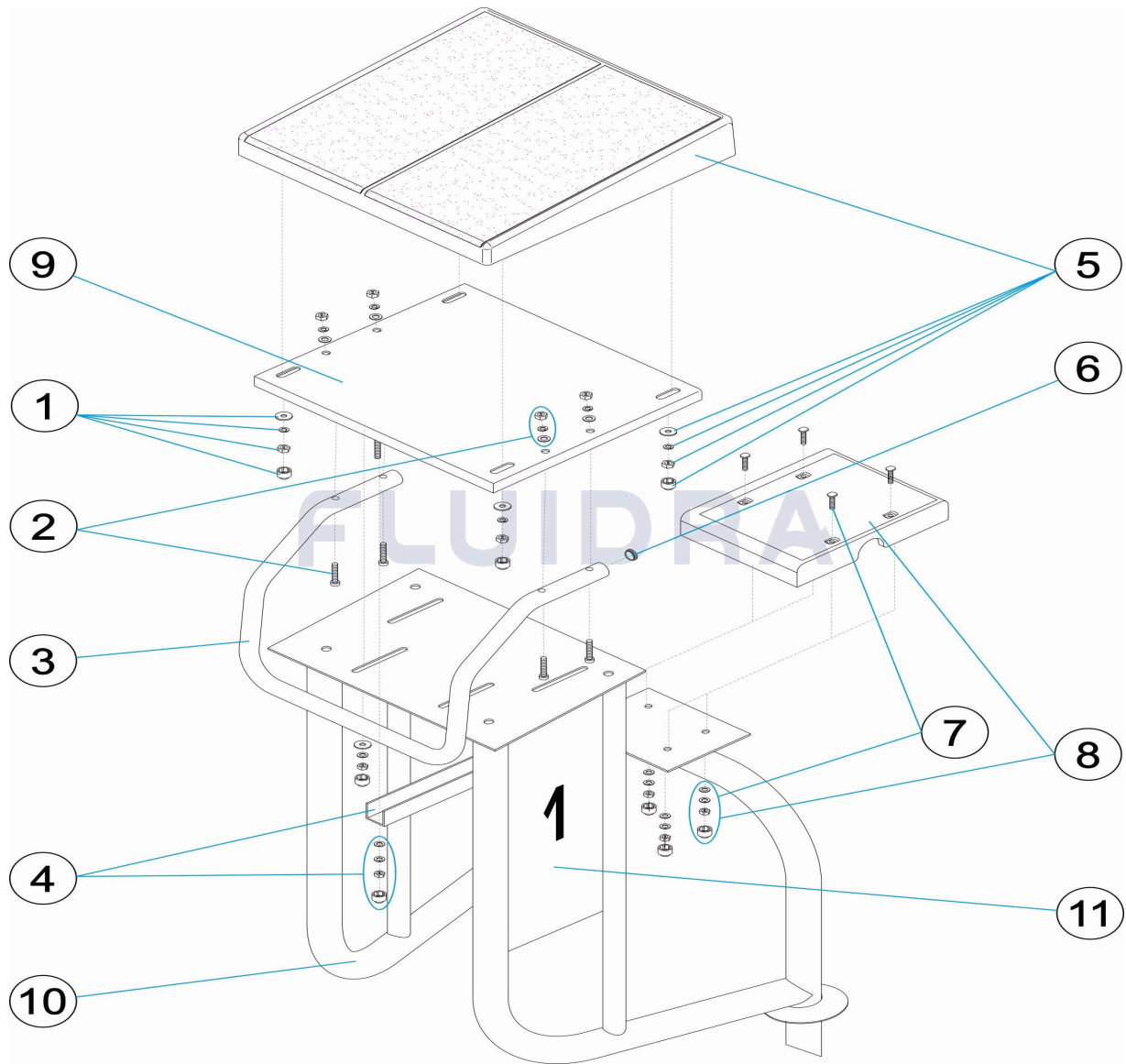
DESCRIPTION: **PLOT AVEC TUBE DÉPART NAGEURS BLANC HAUTEUR 700 ET 400 M/M**

OBSERVATIONS

POS	CODE	OBSERVATIONS
10	* 19958R0100	POUR: 19958
10	* 19959R0100	POUR: 19959
11	* 28616	POUR: 1-6 NUMBERS
11	* 28617	POUR: 1-10 NUMBERS

CODE **19958, 19959**

DESCRIPTION: **TUBING COMPETITION STARTING BLOCKS HEIGHT 700 AND 400 M/M**



ENGLISH

POS	CODE	DESCRIPTION	QUANTITY	POS	CODE	DESCRIPTION	QUANTITY
1	4401060304	NUTS & WASHERS FOR PLATFORM 304		8	4401060301	BLOCK STEP SET	
2	4401060011	SCREW KIT FOR GRABPULL		9	19958R0700	STARTING BLOCK TUBE PLATE	
3	4401060510	GRABRAIL PODIUM		10	* 19958R0100	PODIUM STRUCTURE (19958)	
4	4401060603	REINFORCING PROFILE IN WHITE		10	* 19959R0100	PODIUM STRUCTURE (19959)	
5	4401060302	BLOCK PLATFORM		11	* 28616	STREET NUMBER 1-6 80 MM	
6	4401060113	GRABRAIL CAP		11	* 28617	STREET NUMBER 1-10 80 MM	
7	4401060305	BOLT SET FOR STEP 304					

CODE **19958, 19959**

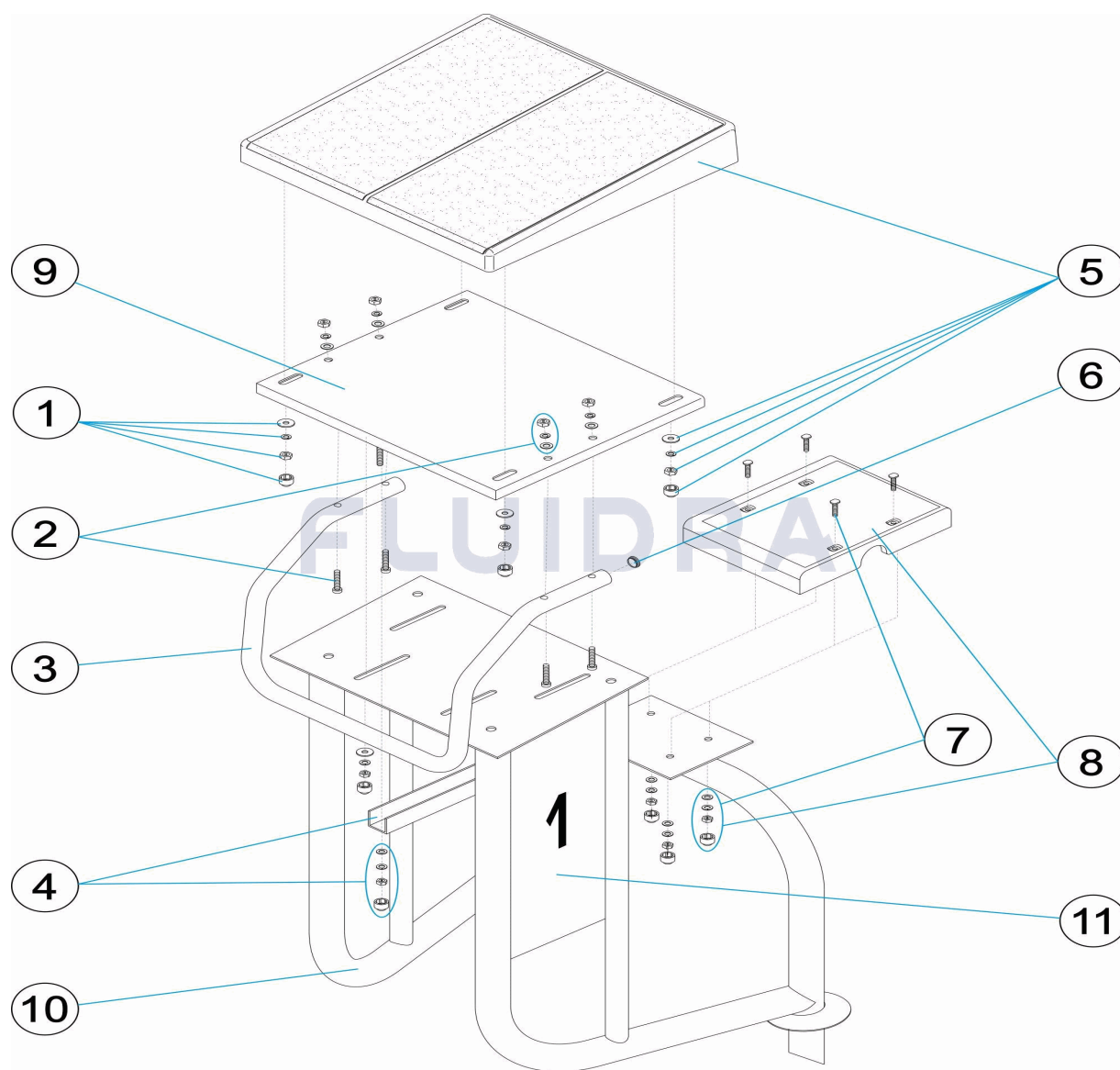
DESCRIPTION: **TUBING COMPETITION STARTING BLOCKS HEIGHT 700 AND 400 M/M**

OBSERVATIONS

POS	CODE	OBSERVATIONS
10	* 19958R0100	FOR: 19958
10	* 19959R0100	FOR: 19959
11	* 28616	FOR: 1-6 NUMBERS
11	* 28617	FOR: 1-10 NUMBERS

CODICE **19958, 19959**

DESCRIZIONE: **PODIO TUBO USCITA NUOTATORI BIANCO ALTEZZA 700 E 400 M/M**



ITALIANO

POS	CODICE	DESCRIZIONE	QUANTITA'	POS	CODICE	DESCRIZIONE	QUANTITA'
1	4401060304	KIT BULLONERIA PIATTAFORMA 304		8	4401060301	GRADINO BLOCCO PARTENZA	
2	4401060011	KIT VITI CORRIMANO		9	19958R0700	TUBO X BASE BLOCCO PARTENZA	
3	4401060510	CORRIMANO BLOCCO PARTENZA		10	* 19958R0100	STRUTTURA PODIO (19958)	
4	4401060603	PROFILO RINFORZO BIANCO		10	* 19959R0100	STRUTTURA PODIO (19959)	
5	4401060302	PIATTAFORMA		11	* 28616	NUMERO CIVICO 1-6 80 MM	
6	4401060113	TAPPO CORRIMANO		11	* 28617	NUMERO CIVICO 1-10 80 MM	
7	4401060305	KIT BULLONERIA GRADINO BLOCCO 304					

CODICE 19958, 19959

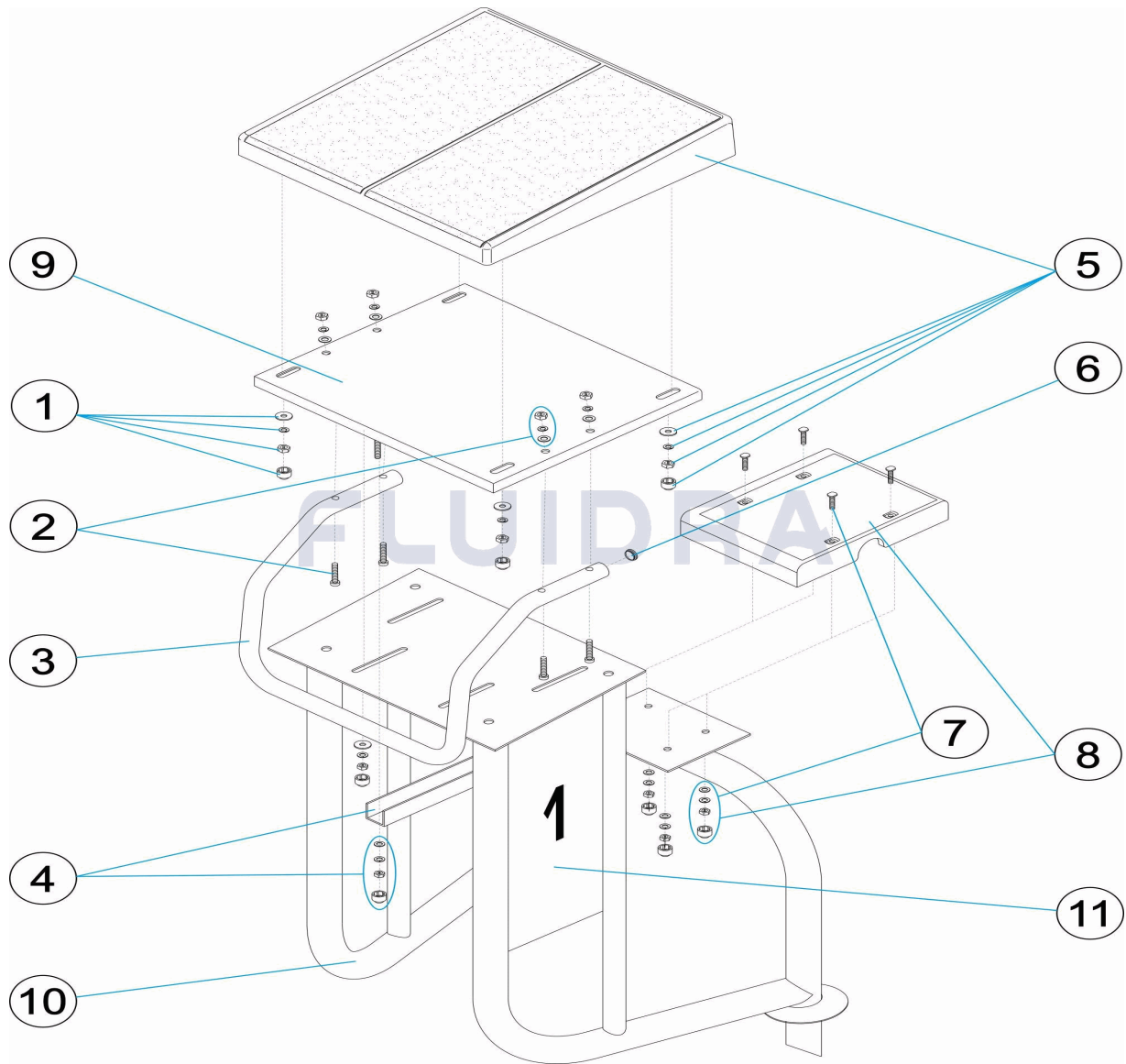
DESCRIZIONE: PODIO TUBO USCITA NUOTATORI BIANCO ALTEZZA 700 E 400 M/M

OSSERVAZIONI

POS	CODICE	OSSERVAZIONI
10	* 19958R0100	PER: 19958
10	* 19959R0100	PER: 19959
11	* 28616	PER: 1-6 NUMBERS
11	* 28617	PER: 1-10 NUMBERS

CODE **19958, 19959**

BESCHREIBUNG: **STARTBOCK ROHRKONSTRUKTION WEISS HÖHE 700 UND 400 M/M**



DEUTSCH

POS	CODE	BESCHREIBUNG	MENGE	POS	CODE	BESCHREIBUNG	MENGE
1	4401060304	SCHRAUBENSATZ PLATTFORM 304		8	4401060301	STUFE STARTBOCK	
2	4401060011	SCHRAUBENSATZ HALTEGRIFF		9	19958R0700	PLATTE STARTBOCK	
3	4401060510	HALTEGRIFF STARTBLOCK		10	* 19958R0100	STRUKTUR STARTBOCK (19958)	
4	4401060603	VERSTÄRKUNGSPROFIL WEISS		10	* 19959R0100	STRUKTUR STARTBOCK (19959)	
5	4401060302	PLATTFORM STARTBOCK		11	* 28616	SCHWIMMBAHNNUMMER 1-6 80 MM	
6	4401060113	STOPFEN HALTEGRIFFE		11	* 28617	SCHWIMMBAHNNUMMER 1-10 80 MM	
7	4401060305	SCHRAUBENSATZ STUFE STARTBOCK 304					

CODE **19958, 19959**

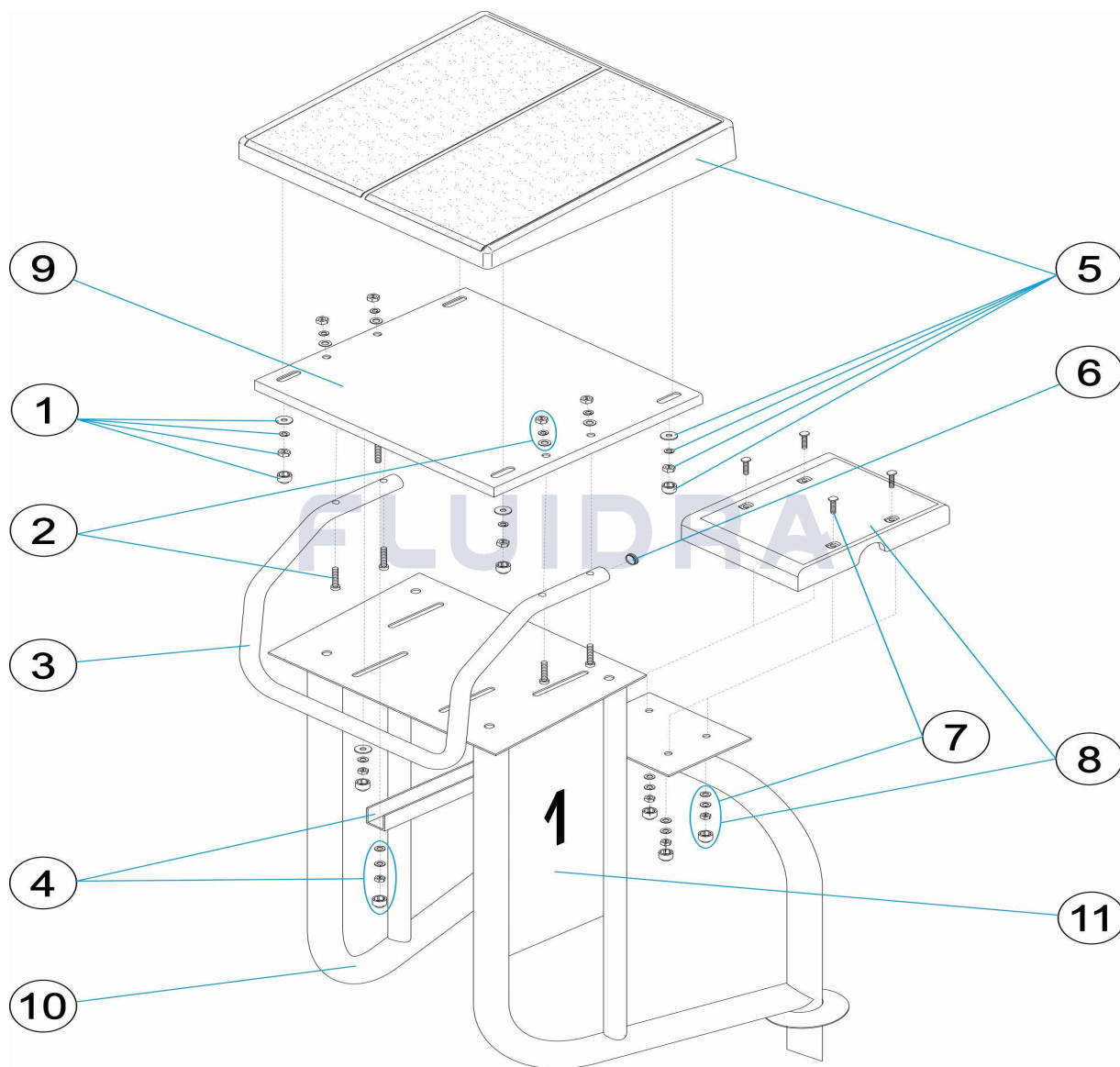
BESCHREIBUNG: **STARTBOCK ROHRKONSTRUKTION WEISS HÖHE 700 UND 400 M/M**

HINWEISE

POS	CODE	HINWEISE
10	* 19958R0100	FÜR: 19958
10	* 19959R0100	FÜR: 19959
11	* 28616	FÜR: 1-6 NUMBERS
11	* 28617	FÜR: 1-10 NUMBERS

CODIGO **19958, 19959**

DESCRIÇÃO: **PÓDIO DE TUBO SAÍDA NADADORES BRANCO ALTURA 700 E 400 M/M.**



PORTUGUES

POS	CODIGO	DESCRIÇÃO	JANTIDADE	POS	CODIGO	DESCRIÇÃO	JANTIDADE
1	4401060304	PARAFUSOS PLATAFORMA 304		8	4401060301	DEGRAU PODIUM	
2	4401060011	CONJ. PARAFUSOS AGARRADEIRA		9	19958R0700	BANDEJA PODIUM DE TUBO	
3	4401060510	AGARRADEIRA PODIO		10	* 19958R0100	ESTRUTURA PODIUM (19958)	
4	4401060603	PERFIL DE REFORÇO BRANCO		10	* 19959R0100	ESTRUTURA PODIUM (19959)	
5	4401060302	PLATAFORMA PODIUM		11	* 28616	NÚMERO DE RUA 1-6 80 MM	
6	4401060113	TAMPAO DA AGARRADEIRA		11	* 28617	NÚMERO DE RUA 1-10 80 MM	
7	4401060305	PARAFUSOS DEGRAU PODIUM 304					

CODIGO **19958, 19959**

DESCRIÇÃO: PÓDIO DE TUBO SAÍDA NADADORES BRANCO ALTURA 700 E 400 M/M.

OBSERVAÇÕES

POS	CODIGO	OBSERVAÇÕES
10	* 19958R0100	PARA: 19958
10	* 19959R0100	PARA: 19959
11	* 28616	PARA: 1-6 NUMBERS
11	* 28617	PARA: 1-10 NUMBERS