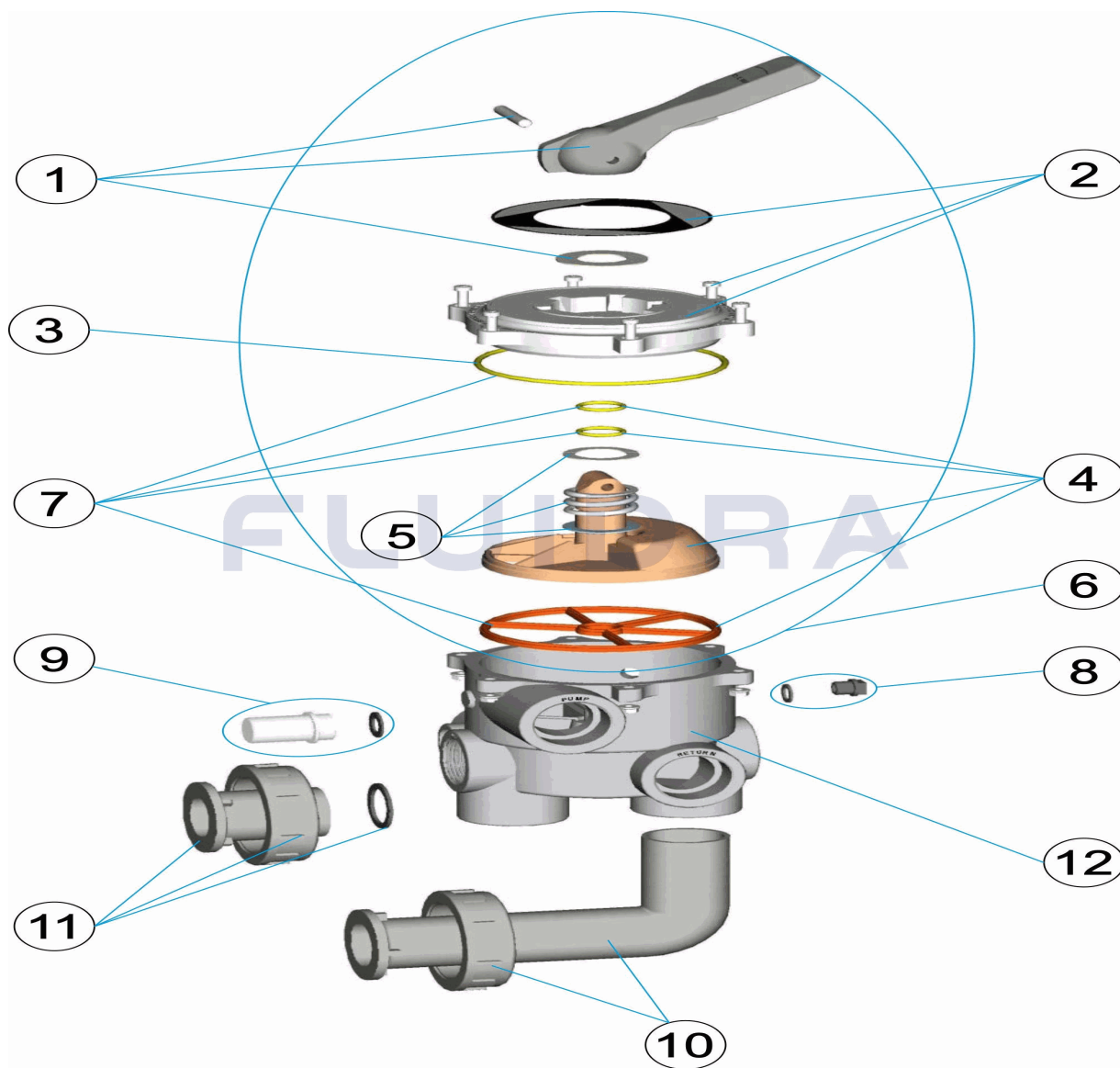


CODIGO **06563**

DESCRIPCION: **VALVULA SELECTORA 1 1/2" + ENLACE**

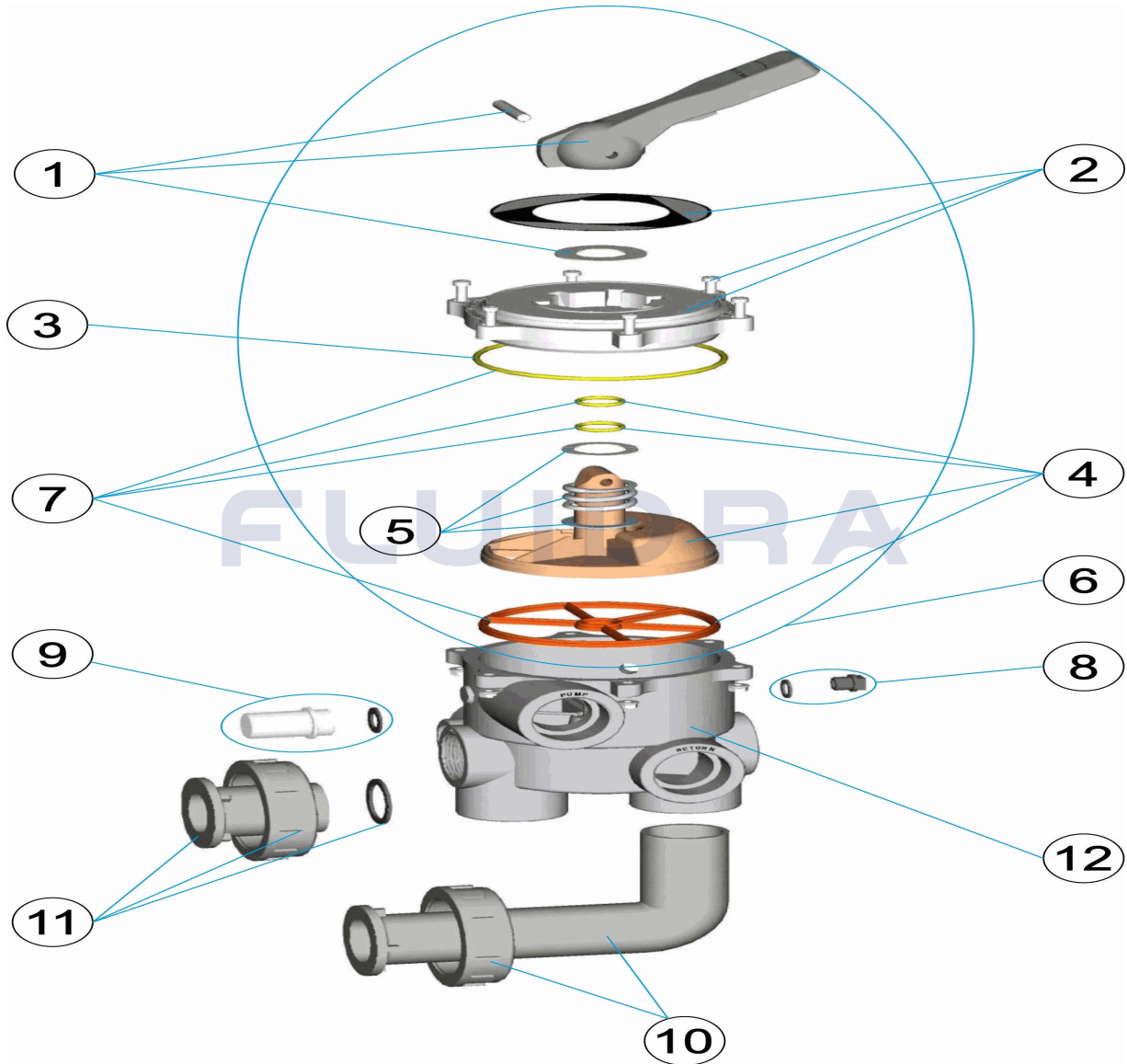


**ESPAÑOL**

POS	CODIGO	DESCRIPCION	CANTIDAD	POS	CODIGO	DESCRIPCION	CANTIDAD
1	4404123104	MANETA 1 1/2" / AST. / B / NEUTR "		7	4404120107	JUNTAS VALVULA 1 1/2" NUEVA	
2	4404120104	TAPA CON CARATULA BLANCA 1 1/2"		8	4404120081	TAPON 1/4"	
3	4404120023	JUNTA TORICA TAPA 1 1/2"		9	4404120108	VISOR CON JUNTA	
4	4404120106	DISTRIBUIDOR CON JUNTAS 1 1/2" NUEVO		10	4404120203	ENLACE ACODADO BLANCO 1 1/2" NUEVO	
5	4404120105	RESORTE CON ARANDELAS		11	4404120201	ENLACE RECTO BLANCO 1 1/2" NUEVO	
6	4404120111	TAPA DISTRIBUIDOR BLANCA 1 1/2" NUEVA		13	06562R0101	CJTO. CUERPO BLANCO POSICION 3	

CODE 06563

DESCRIPTION: SÉLECTEUR 1 1/2" + LIEN

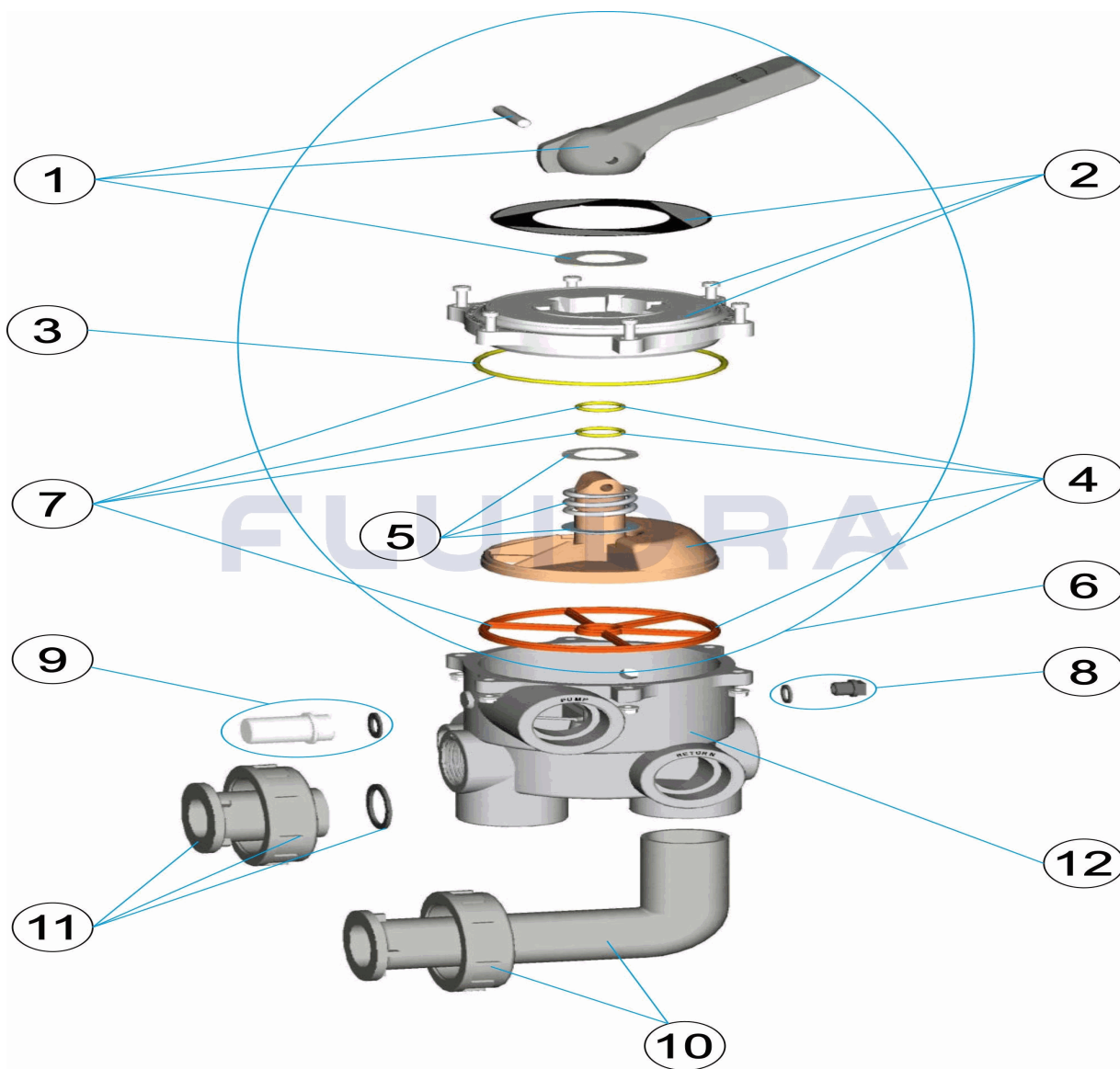


FRANCAIS

POS	CODE	DESCRIPTION	QUANTITE	POS	CODE	DESCRIPTION	QUANTITE
1	4404123104	POIGNEE BLANCHE 1 1/2'		7	4404120107	JOINTS 1 1/2' NOUVEAU MODELE	
2	4404120104	COUVERCLE BLANC AVEC INSCRIPTIONS		8	4404120081	BOUCHON 1/4"	
3	4404120023	JOINT TORIQUE COUVERCLE 1 1/2"		9	4404120108	VOYANT ET JOINT	
4	4404120106	BOISSEAU ET JOINT DE VANNE NOUVEAU		10	4404120203	SORTIE COUDEE BLANCHE 1 1/2'	
5	4404120105	RESSORT ET RONDELLES		11	4404120201	SORTIE DROITE BLANCHE 1 1/2' NOUVEAU	
6	4404120111	COUVERCLE BLANC ET BOISSEAU 1 1/2'		13	06562R0101	CORPS 1 1/2" VANNE POS.3"	

CODE **06563**

DESCRIPTION: **SELECTOR VALVE 1 1/2" + CONNECTIONS**

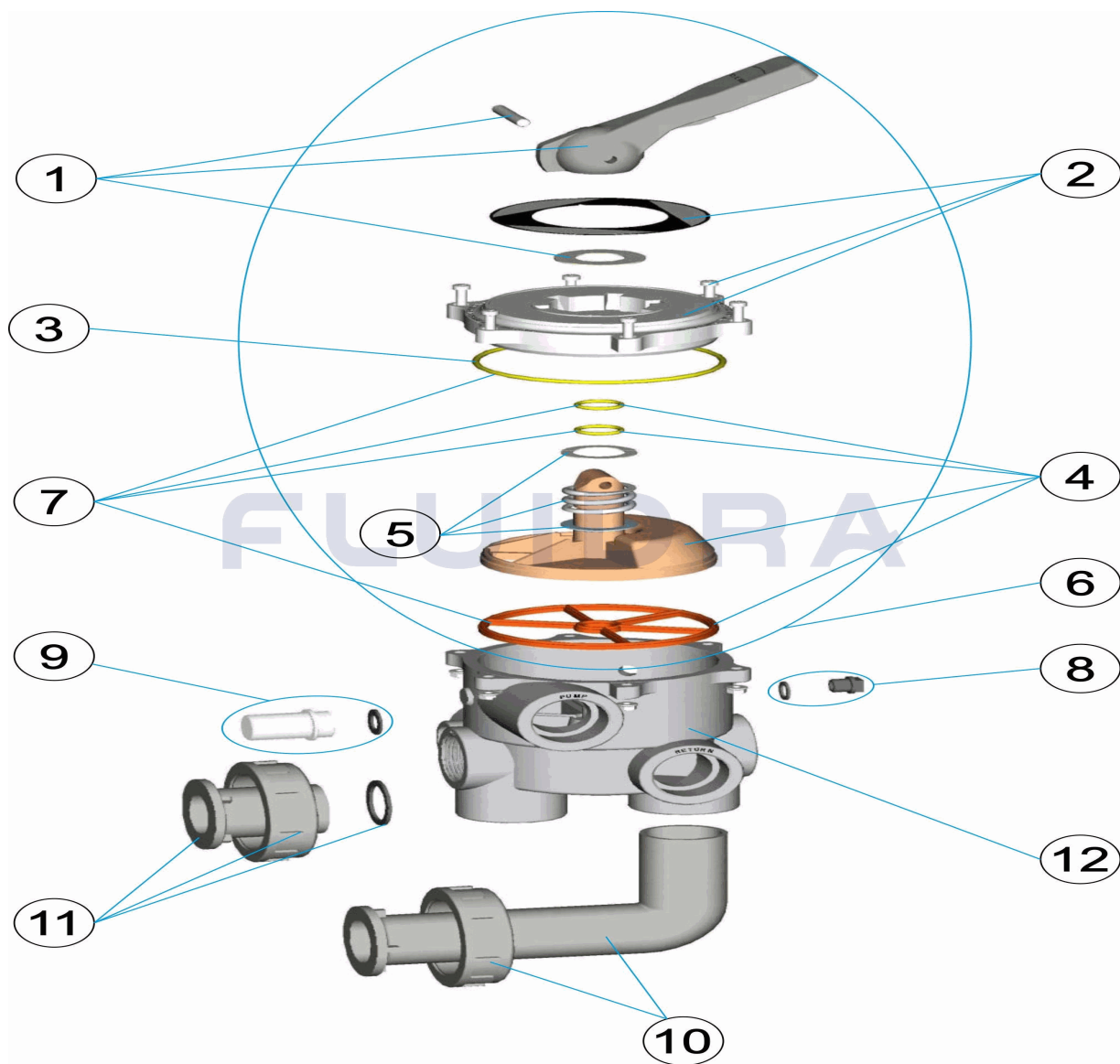


**ENGLISH**

POS	CODE	DESCRIPTION	QUANTITY	POS	CODE	DESCRIPTION	QUANTITY
1	4404123104	WHITE HANDLE 1 1/2'		7	4404120107	GASKETS NEW VALVE 1 1/2'	
2	4404120104	WHITE TOP 1 1/2'		8	4404120081	CAP 1/4"	
3	4404120023	1 1/2" LID 'O' RIN "		9	4404120108	VISOR WITH SEAL	
4	4404120106	DISTRIBUTOR WITH GASKETS 1 1/2'		10	4404120203	ELBOW WHITE 1 1/2' NEW	
5	4404120105	SPRING WITH WASHERS		11	4404120201	UNION WHITE 1 1/2' NEW	
6	4404120111	TOP ASSEMBLY WHITE 1 1/2' NEW		13	06562R0101	BODY AND DIFFUSER 1 1/2" POS.3"	

CODICE 06563

DESCRIZIONE: VALVOLA SELETRICE 1 1/2" + COLLEGAMENT

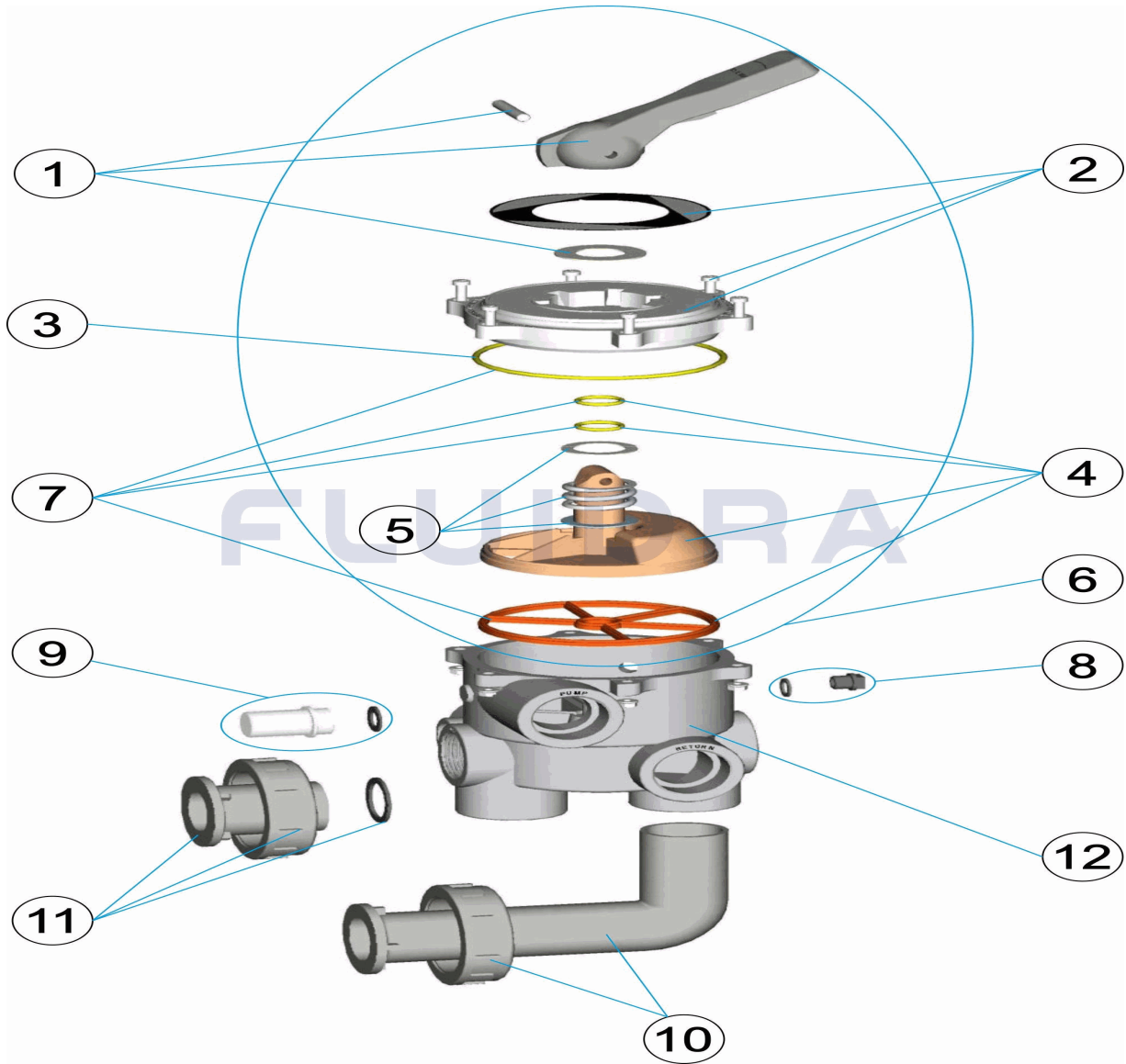


ITALIANO

POS	CODICE	DESCRIZIONE	QUANTITA'	POS	CODICE	DESCRIZIONE	QUANTITA'
1	4404123104	MANIGLIA BIANCA 1 1/2"		7	4404120107	GUARNIZIONI VALVOLA 1 1/2' NUOVO	
2	4404120104	COPERCHIO CON MASCHERA BIANCA 1 1/2"		8	4404120081	TAPPO 1/4"	
3	4404120023	O-RING COPERCHIO 1 1/2"		9	4404120108	VISORE CON GUARNIZIONE	
4	4404120106	DISTRIBUTORE CON GUARNIZIONI 1 1/2' N		10	4404120203	RACCORDO A GOMITO BIANCO 1 1/2" NUC	
5	4404120105	MOLLA CON RONDELLA		11	4404120201	RACCORDO DIRITTO BIANCO 1 1/2 NUOVO	
6	4404120111	COPERCHIO DI DISTRIBUZIONE BIANCO 1 1/2"		13	06562R0101	CORPO VALVOLA 1 1/2" POS.3"	

CODE **06563**

BESCHREIBUNG: **MEHRWEGVENTIL 1 1/2" + ANSCHLÜSS**

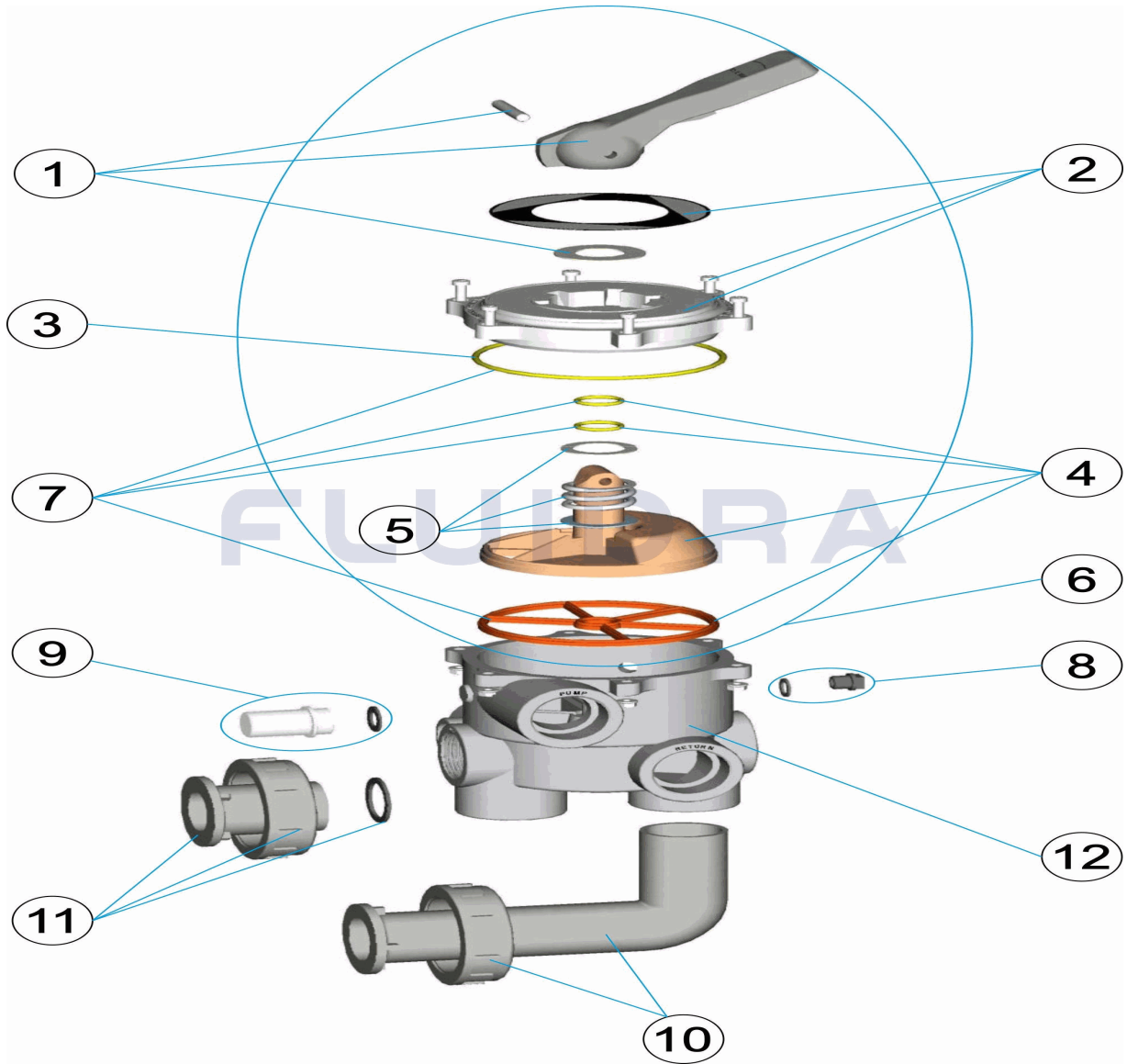


**DEUTSCH**

POS	CODE	BESCHREIBUNG	MENGE	POS	CODE	BESCHREIBUNG	MENGE
1	4404123104	GRIFF 1 1/2" / AST. / B / NEUTRA "		7	4404120107	VENTILDICHTUNGEN 1 1/2" NEUVERSION	
2	4404120104	ABDECKUNG MIT BEDIENFELD WEISS 1 1/		8	4404120081	STOPFEN 1/4"	
3	4404120023	O-RING ABDECKUNG 1 1/2"		9	4404120108	SCHAUGLAS UND DICHTUNG	
4	4404120106	VERTEILER UND DICHTUNGEN 1 1/2' NEU\		10	4404120203	ANSCHLUSSWINKEL WEISS 1 1/2' NEUVER	
5	4404120105	FEDER MIT UNTERLEGSCHIEBEN		11	4404120201	ANSCHLUSS GERADE WEISS 1 1/2' NEUVE	
6	4404120111	VERTEILERDECKEL WEISS 1 1/2' NEUVER!		13	06562R0101	SET GEHÄUSE WEISS POSITION 3	

CODIGO **06563**

DESCRIÇÃO: **VÁLVULA SELECTORA 1 ½" + LIGAÇÃO**



**PORTUGUES**

POS	CODIGO	DESCRIÇÃO	JANTIDADE	POS	CODIGO	DESCRIÇÃO	JANTIDADE
1	4404123104	MANIPULO BRANCO 1 1/2"		7	4404120107	JUNTAS VÁLVULA 1 1/2'	
2	4404120104	TAMPA COM ESPELHO FRONTAL PRETA 1		8	4404120081	TAMPÃO ¼"	
3	4404120023	JUNTA TÓRICA TAMPA 1 1/2"		9	4404120108	VISOR COM JUNTA	
4	4404120106	DISTRIBUIDOR COM JUNTAS 1 1/2"		10	4404120203	LIGAÇÃO CURVA BRANCA 1 1/2' NOVA	
5	4404120105	MOLA COM ANILHAS		11	4404120201	LIGAÇÃO RECTA BRANCA 1 1/2' NOVA	
6	4404120111	TAMPA DISTRIBUIDOR BRANCA 1 1/2"		13	06562R0101	CORPO 1 1/2" POS.3"	