

DESPIECE

REV: 0

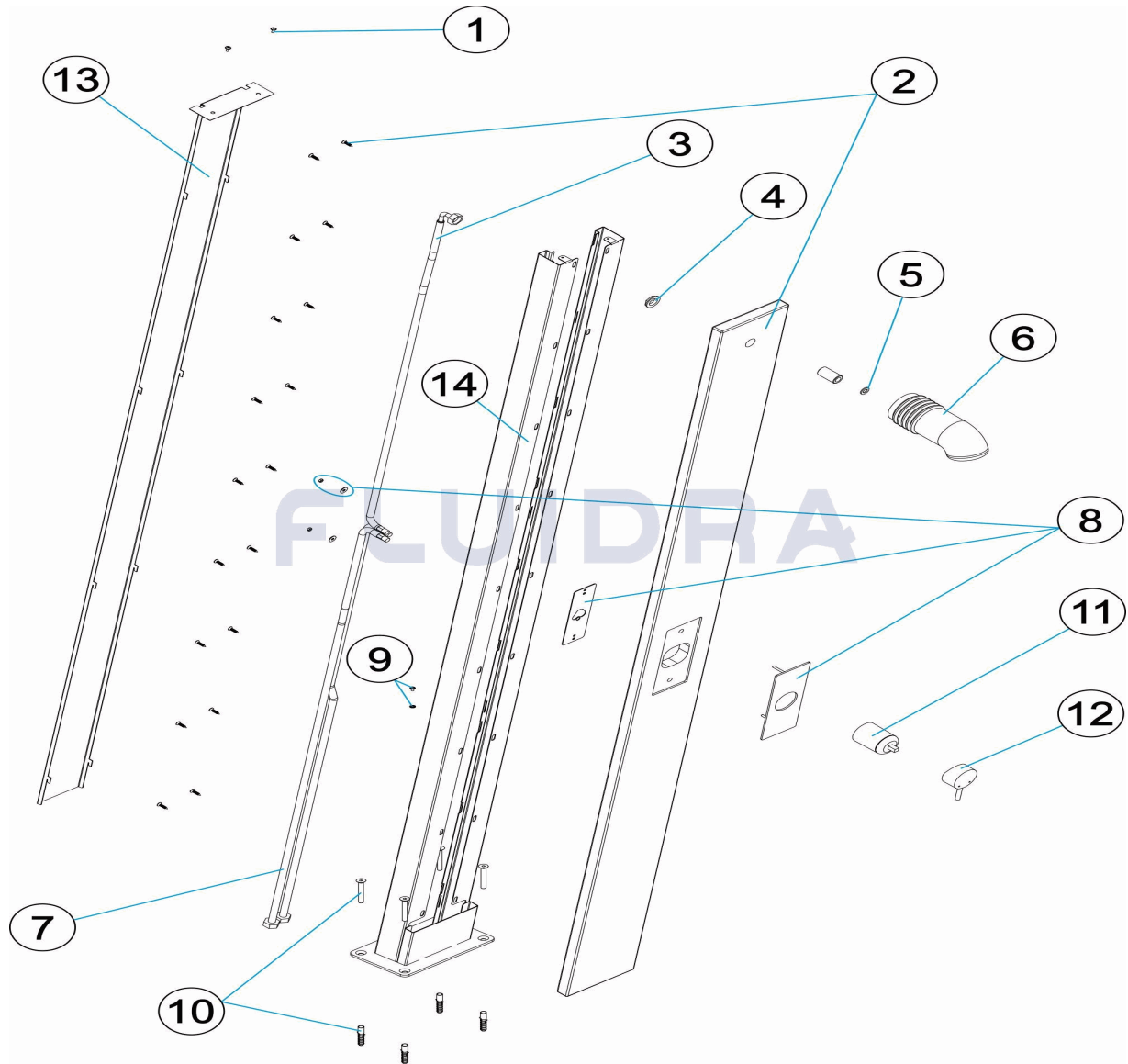
1759

FECHA: 22/12/2022

HOJA: 1/6

CODIGO **M00396**

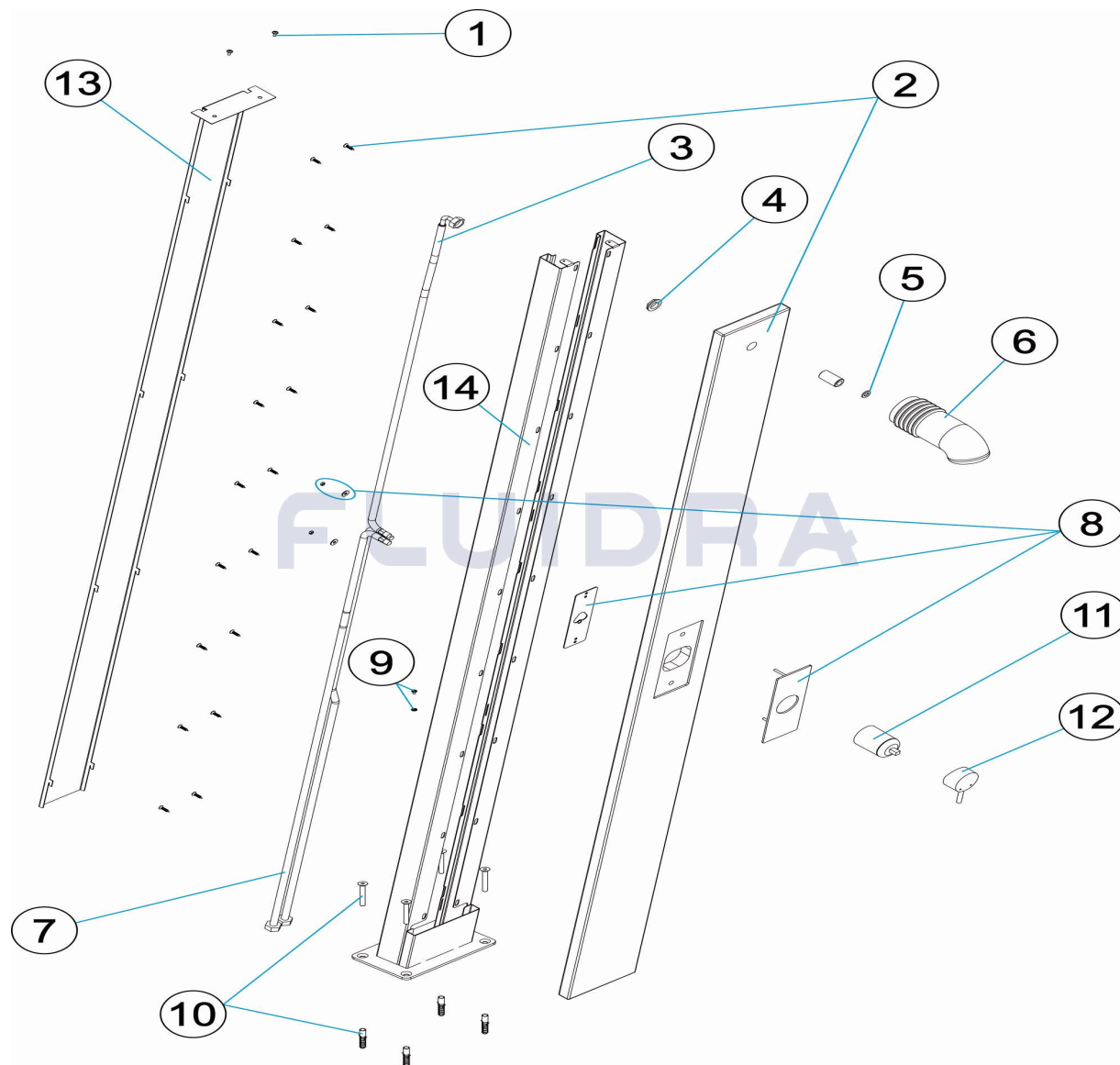
DESCRIPCION: **DUCHA MADERA**



ESPAÑOL

POS	CODIGO	DESCRIPCION	CANTIDAD	POS	CODIGO	DESCRIPCION	CANTIDAD
1	4401040296	TORNILLERIA FIJACION	8	4401040369	EMBELLECEDOR MONOMANDO		
2	4401040366	EMBELLECEDOR MADERA	9	4401120002	TOMA TIERRA		
3	4401040367	LATIGUILLO 1/2" H-M10 L=1100	10	4401043210	FIJACION CUERPO		
4	4401040252	TUERCA HEXAGONAL 1/2" LATO "	11	4401043605	CUERPO MONOMANDO		
5	4401040368	JUNTA PLANA	12	4401043604	MANETA MONOMANDO		
6	4401040291	PIÑA ORIENTABLE	13	43859R0200	TAPA POSTERIOR		
7	4401043618	LATIGUILLO 1/2" HEMBRA + M-10 MACHO L	14	43859R0100	CUERPO DUCHA		

CODE **M00396**

 DESCRIPTION: **DOUCHE PUU**

FRANCAIS

POS	CODE	DESCRIPTION	QUANTITE	POS	CODE	DESCRIPTION	QUANTITE
1	4401040296	VIS DE FIXATION		8	4401040369	ENJOLIVEUR MITIGEUR	
2	4401040366	ENJOLIVEUR BOIS		9	4401120002	PRISE DE TERRE	
3	4401040367	TUYAU 1/2" F-M10 L=1100		10	4401043210	FIXATION CORP DE DOUCHE	
4	4401040252	ÉCROU HEXAGONAL 1/2' LAITON		11	4401043605	CORPS MITIGEUR	
5	4401040368	JOINT PLAT		12	4401043604	POIGNÉE MITIGEUR	
6	4401040291	POMME DE DOUCHE ORIENTABLE		13	43859R0200	COUVERCLE ARRIERE	
7	4401043618	TUYAU 1/2" FEMELLE + M-10 MÂLE L=130C		14	43859R0100	CORPS DOUCHE	

PARTS BREAKDOWN

REV.: 0

1759

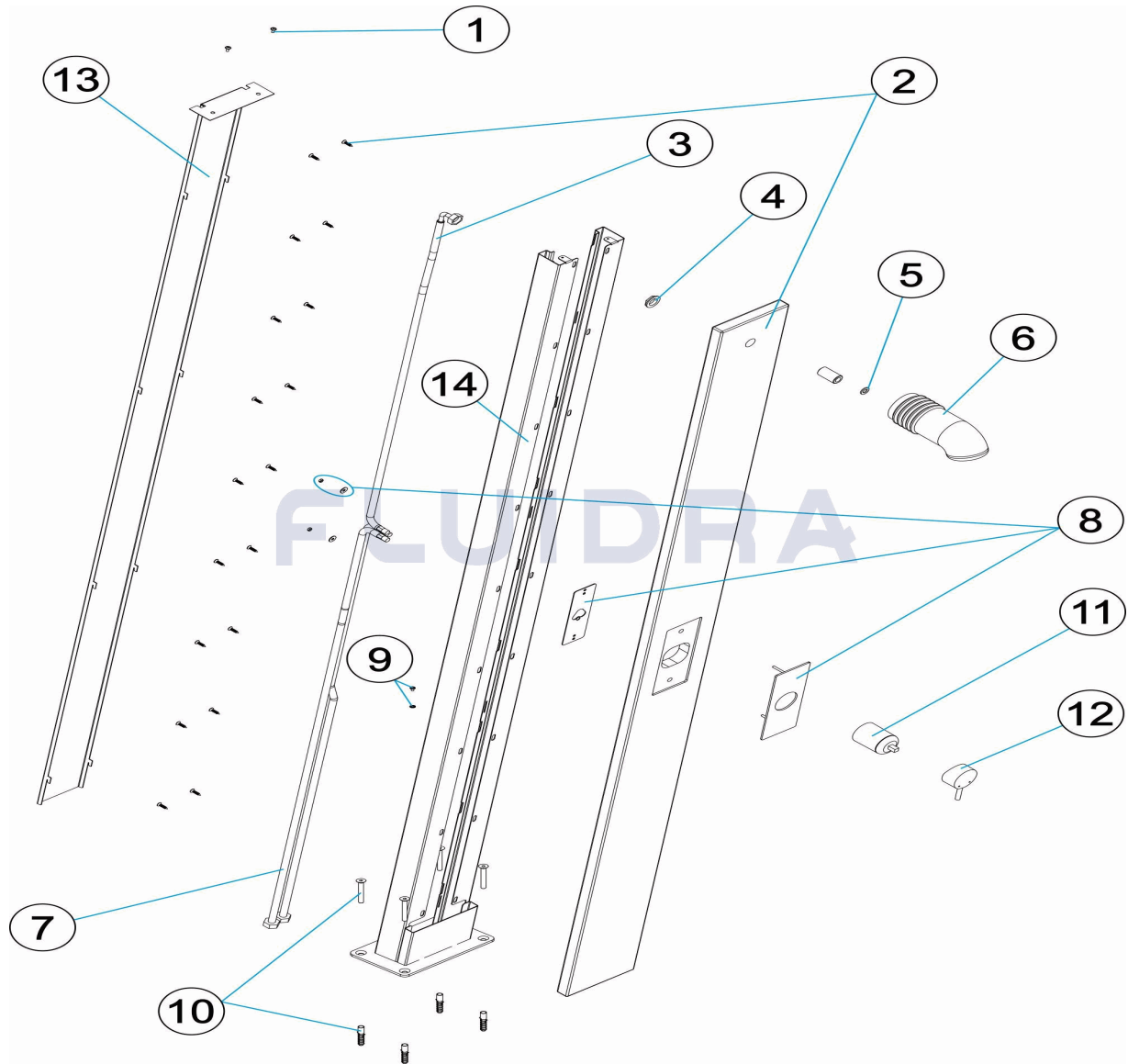
DATE: 22/12/2022

SHEET: 3/6

CODE

M00396

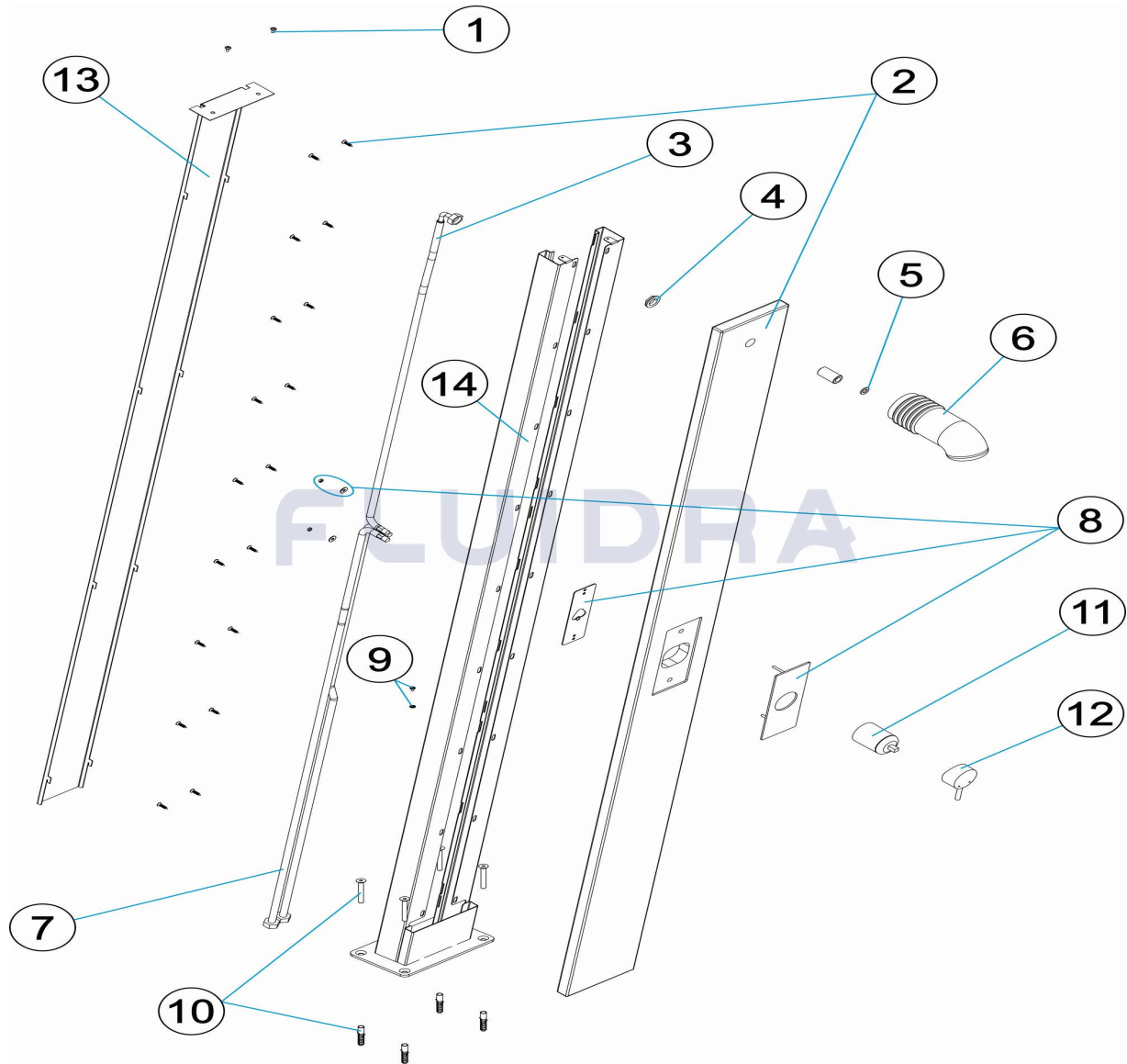
DESCRIPTION: **WOOD SHOWER**



ENGLISH

POS	CODE	DESCRIPTION	QUANTITY	POS	CODE	DESCRIPTION	QUANTITY
1	4401040296	BOLT SET		8	4401040369	SINGLE-LEVER TRIM COVER	
2	4401040366	WOODEN PLATE		9	4401120002	EARTH CONNECTION	
3	4401040367	FLEXIBLE HOSE 1/2" F-M10 L=1100		10	4401043210	SHOWER ARM	
4	4401040252	HEXAGONAL NUT 1/2" BRAS "		11	4401043605	SINGLE-LEVER HANDLE CASING	
5	4401040368	FLAT GASKET		12	4401043604	SINGLE-LEVER HANDLE	
6	4401040291	GUIDABLE SHOWER		13	43859R0200	BACK COVER	
7	4401043618	FLEXIBLE HOSE 1/2" FEMALE + M-10 MALI		14	43859R0100	SHOWER UNIT	

CODICE **M00396**

 DESCRIZIONE: **DOCCIA LENGA**

ITALIANO

POS	CODICE	DESCRIZIONE	QUANTITA'	POS	CODICE	DESCRIZIONE	QUANTITA'
1	4401040296	BULLONERIA PER FISSAGGIO		8	4401040369	IMBELLITORE MONOCOMANDO	
2	4401040366	FLANGIA LEGNO		9	4401120002	PRESA A TERRA	
3	4401040367	SPINOTTO 1/2" F-M10 L=1100		10	4401043210	FISSAGGIO CORPO	
4	4401040252	DADO ESAGONALE 1/2" OTTON "		11	4401043605	CORPO MONOCOMANDO	
5	4401040368	GIUNTURA PIANA		12	4401043604	MANIGLIA MONOCOMANDO	
6	4401040291	DIFFUSORE ORIENTABILE		13	43859R0200	COPERCHIO POSTERIORE	
7	4401043618	SPINOTTO 1/2" FEMMINA + M-10 MASCHIC		14	43859R0100	CORPO DOCCIA	

EINZELTEILE

ÜBER.: 0

1759

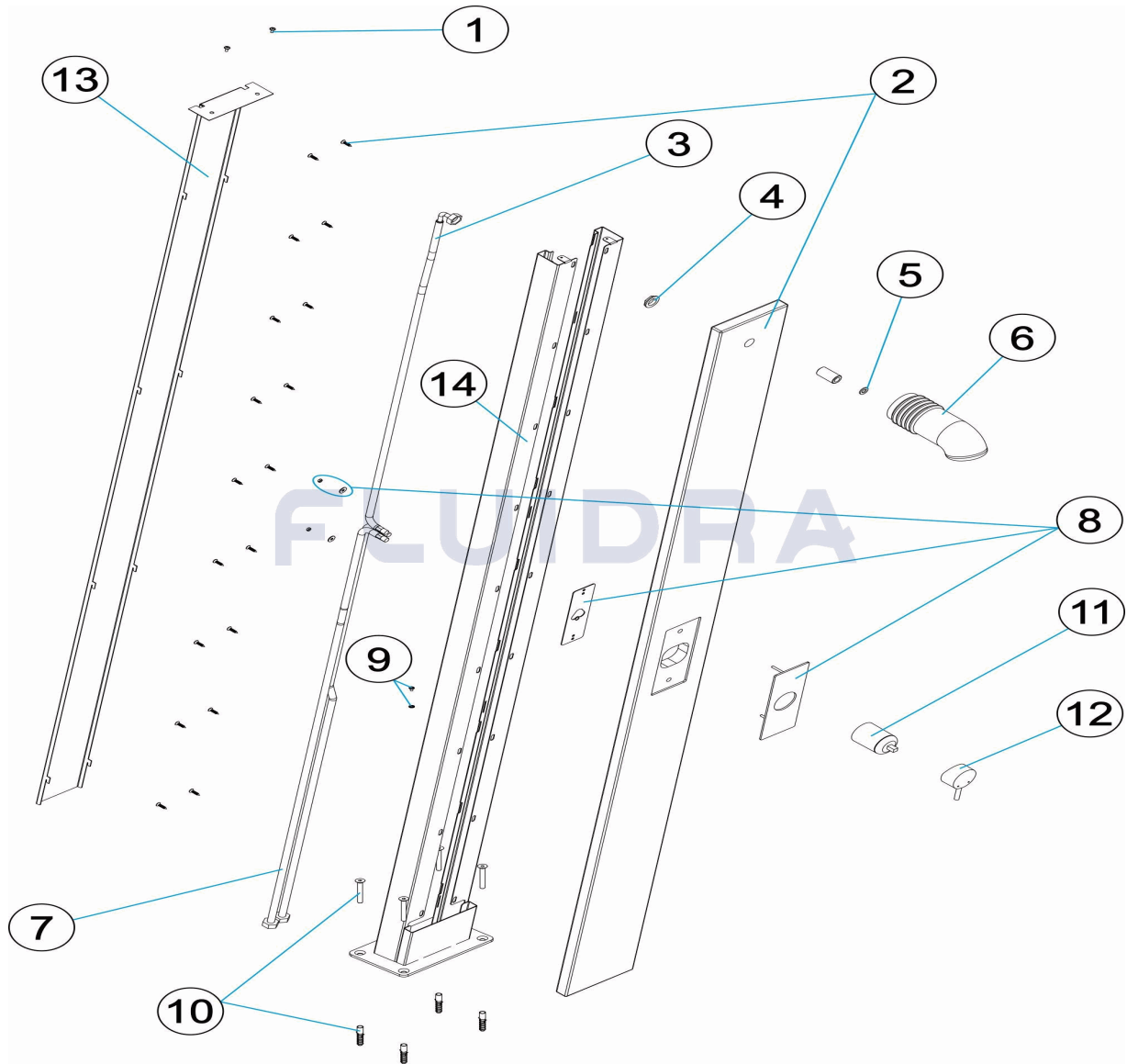
DATUM: 22/12/2022

BLATT: 5/6

CODE

M00396

BESCHREIBUNG: **DUSCHE HOLZ**

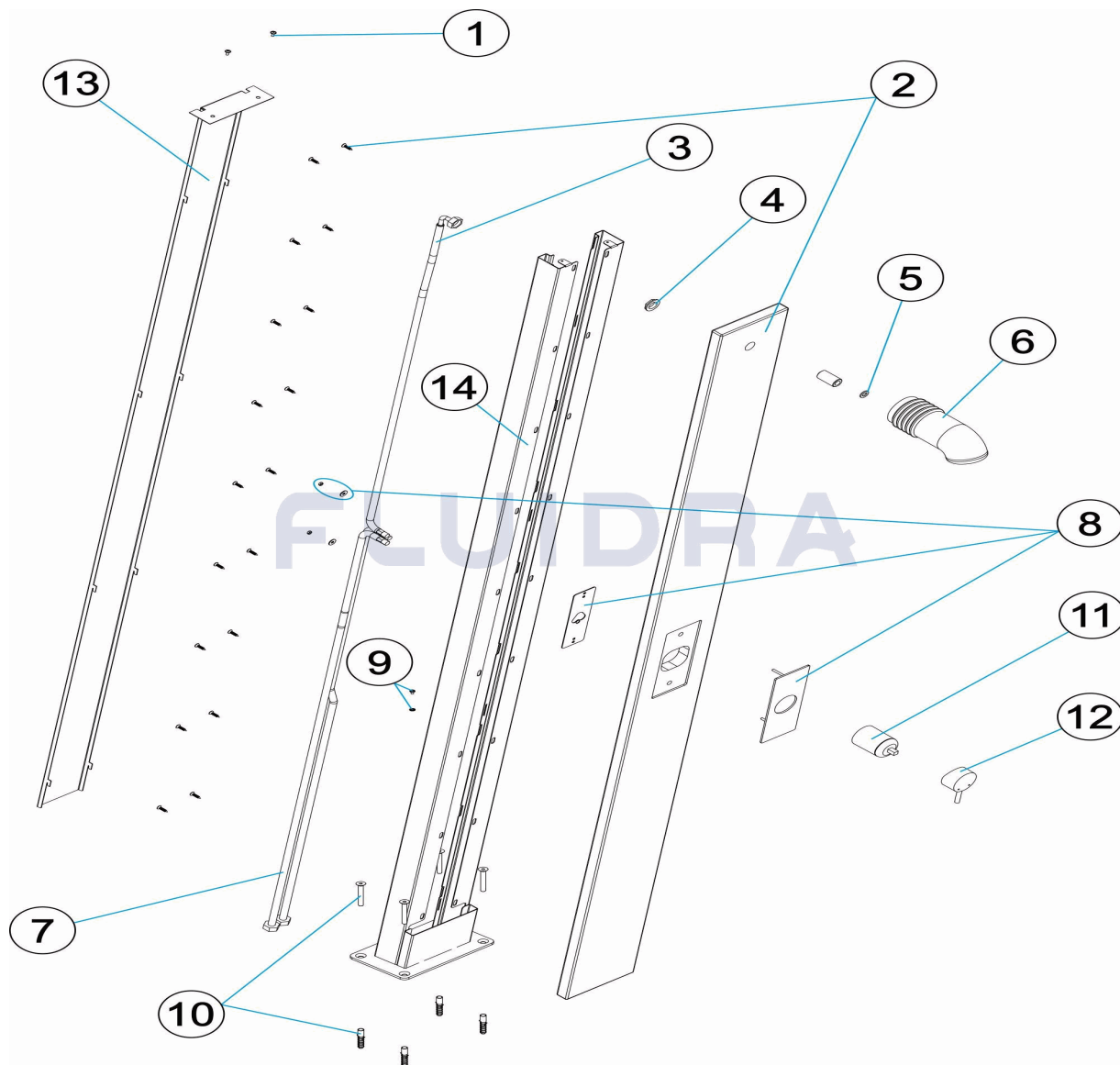


DEUTSCH

POS	CODE	BESCHREIBUNG	MENGE	POS	CODE	BESCHREIBUNG	MENGE
1	4401040296	FIXIERSCHRAUBEN		8	4401040369	BLLENDE EINHANDHEBEL	
2	4401040366	BLLENDE HOLZ		9	4401120002	ERDUNG	
3	4401040367	SCHLAUCHLEITUNG 1/2" F-M10 L=1100		10	4401043210	FIXIERUNG GEHÄUSE	
4	4401040252	SECHSKANTMUTTER 1/2" BLEC "		11	4401043605	GEHÄUSE EINHANDHEBEL	
5	4401040368	FLACHDICHTUNG		12	4401043604	GRIFF EINHANDHEBEL	
6	4401040291	DUSCHKOPF ORIENTIERBAR		13	43859R0200	ABDECKUNG HINTEN	
7	4401043618	SCHLAUCHLEITUNG 1/2" MUFFE UND M-1(14	43859R0100	DUSCHHEINHEIT	

CODIGO

M00396

 DESCRIÇÃO: **DUCHE MADEIRA**

PORTUGUES

POS	CODIGO	DESCRIÇÃO	JANTIDADE	POS	CODIGO	DESCRIÇÃO	JANTIDADE
1	4401040296	CONJ. PARAFUSOS		8	4401040369	ARO DECORATIVO MONOCOMANDO	
2	4401040366	EMBELEZADOR MADEIRA		9	4401120002	LIGAÇÃO A TERRA	
3	4401040367	MANGA 1/2" F-M10 L=1100		10	4401043210	FIXAÇÃO CORPO	
4	4401040252	PORCA HEXAGONAL 1/2" LATÃ "		11	4401043605	CORPO MONOCOMANDO	
5	4401040368	BUCHA BORRACHA		12	4401043604	MANETE MONOCOMANDO	
6	4401040291	PINHA ORIENTÁVEL		13	43859R0200	TAMPA POSTERIOR	
7	4401043618	MANGA 1/2" FÊMEA + M-10 MACHO L = 130		14	43859R0100	CORPO DE CHUVEIRO	