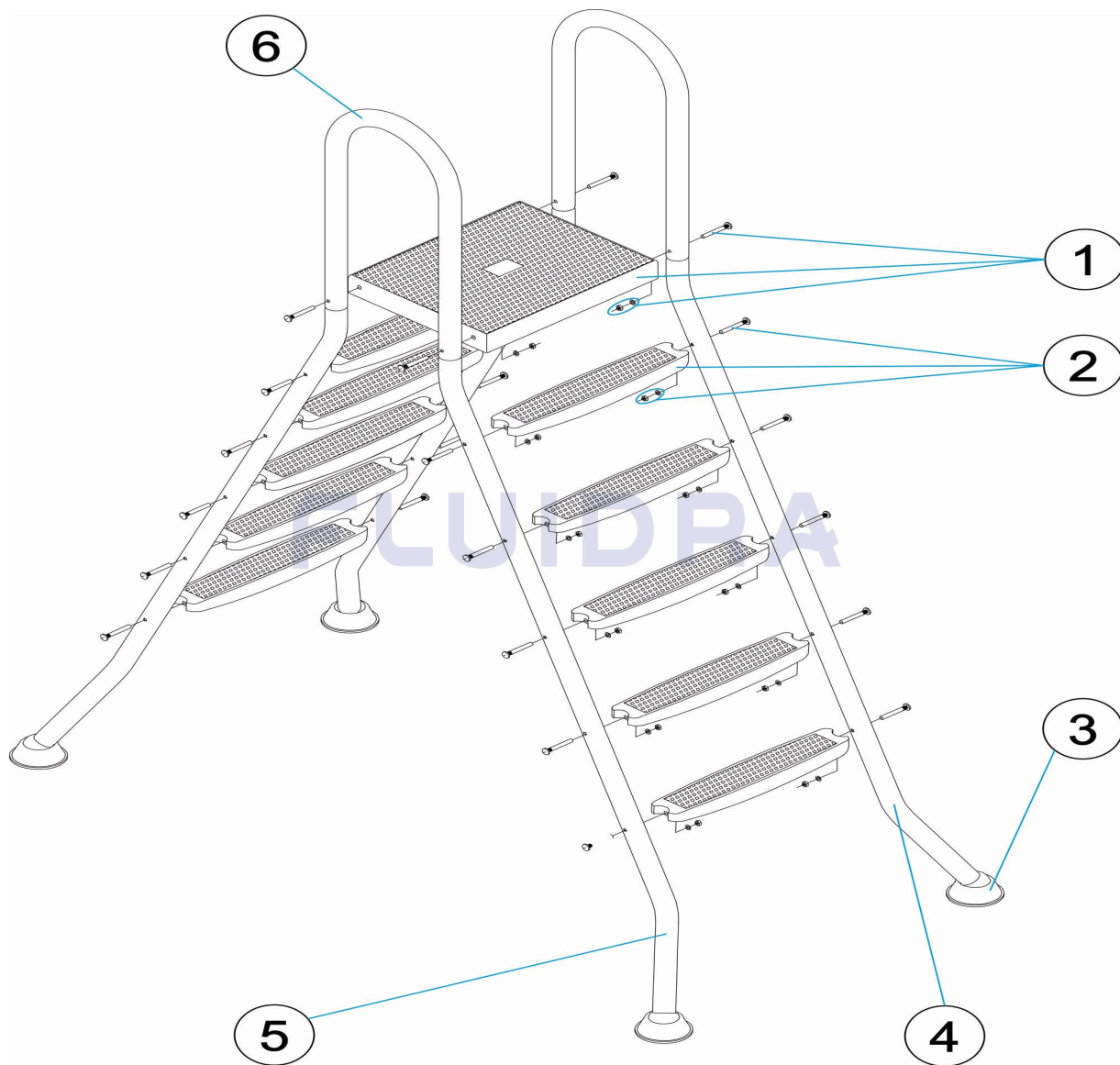


CODIGO **26769**

DESCRIPCION: **ESCALERA PISCINA ELEVADA**

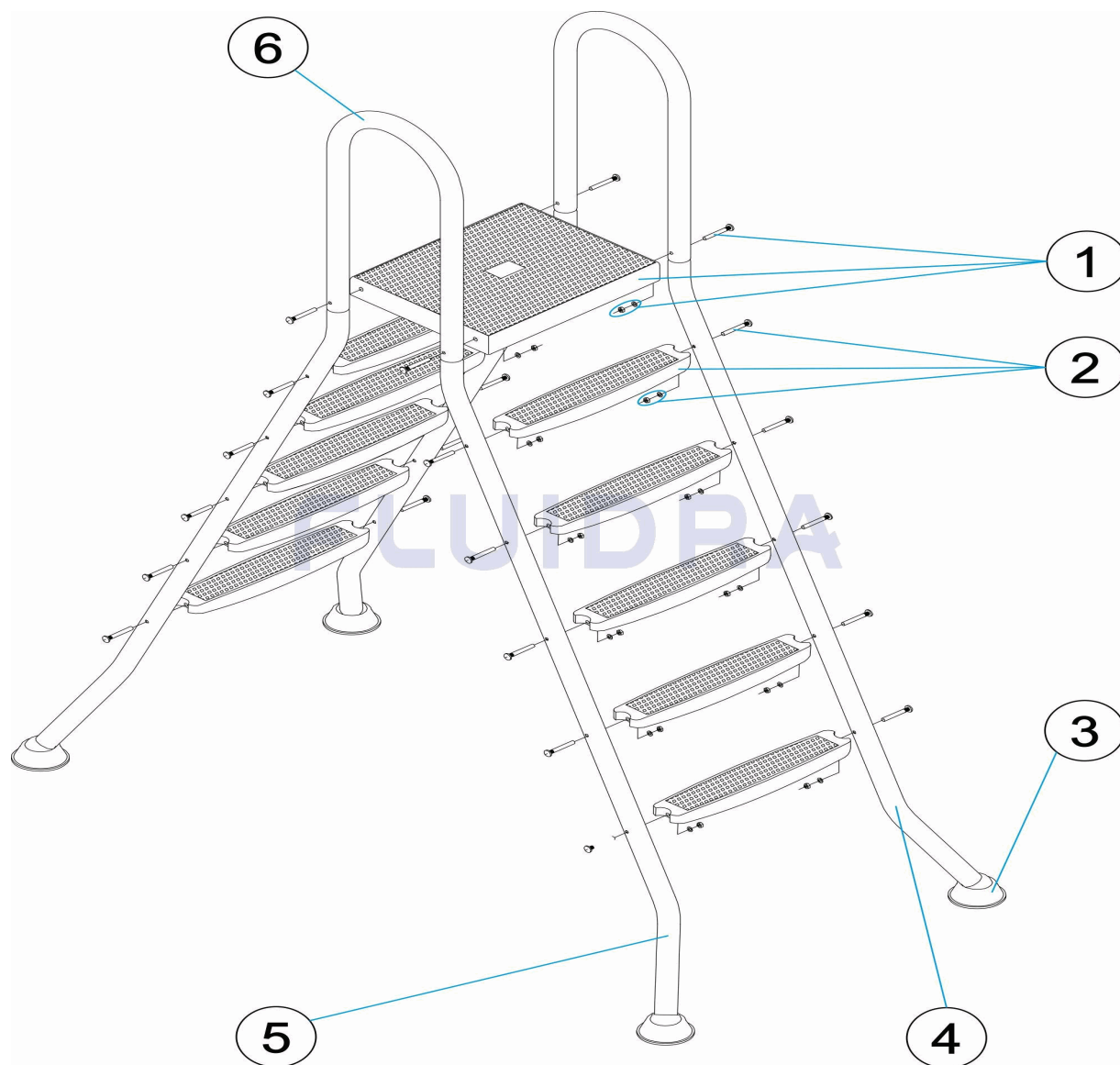


ESPAÑOL

POS	CODIGO	DESCRIPCION	CANTIDAD	POS	CODIGO	DESCRIPCION	CANTIDAD
1	4401011403	PELDAÑO PLASTICO		4	26769R0300	PASAMANO DERECHO	
2	4401010026	PELDAÑO PLASTICO 500 INCLINADO A4		5	26769R0200	PASAMANO IZQUIERDO	
3	4401010501	TOPE ARTICULADO		6	00025R0001	PUENTE UNION	

CODE 26769

DESCRIPTION: ÉCHELLE PISCINE HORS SOL

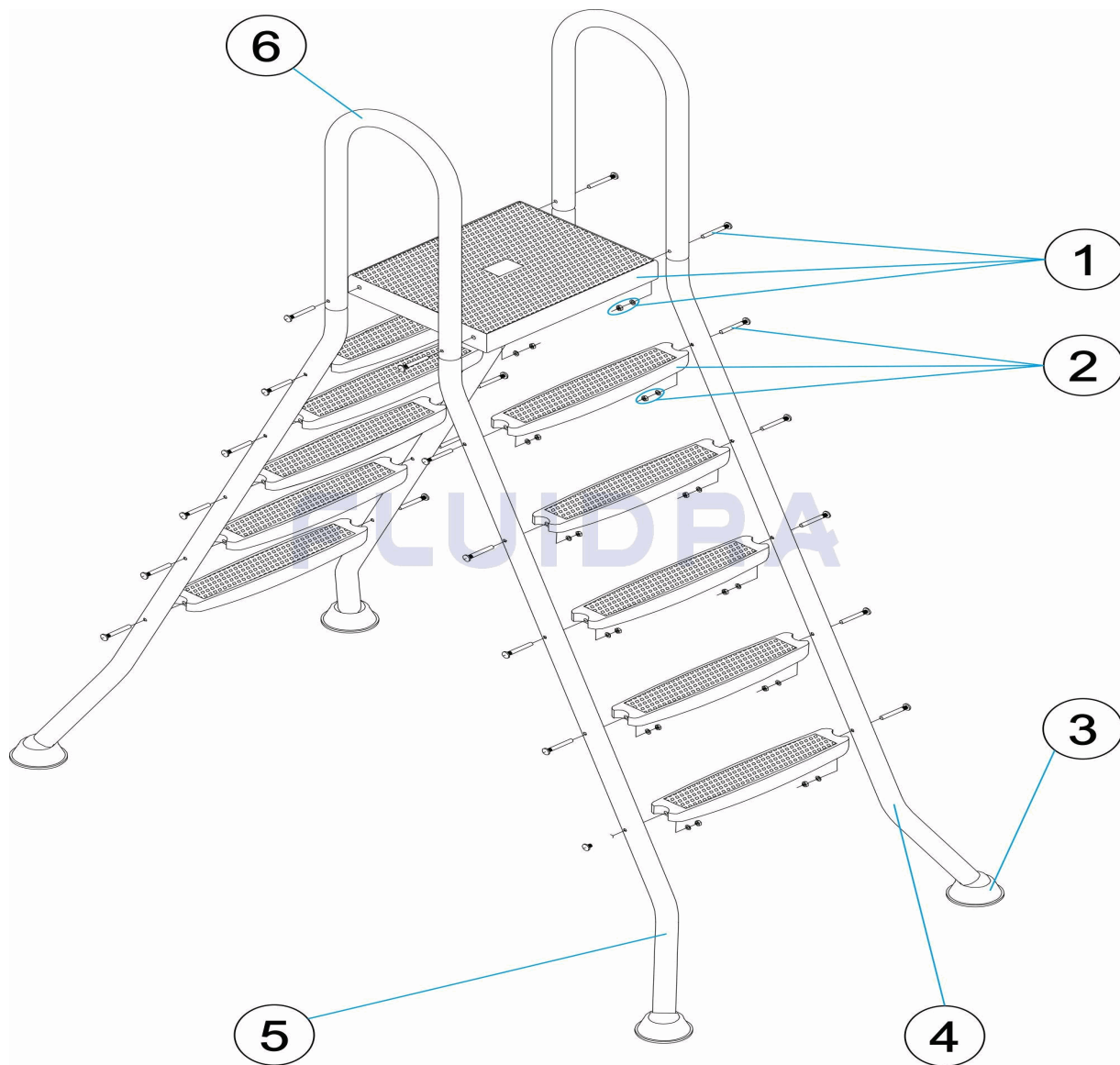


FRANCAIS

POS	CODE	DESCRIPTION	QUANTITE	POS	CODE	DESCRIPTION	QUANTITE
1	4401011403	MARCHE PLASTIQUE LARGEUR	4	26769R0300	MAIN-COURRANTE DROIKE		
2	4401010026	MARCHE PLASTIQUE LARG 500 INCLINÉE	5	26769R0200	MAIN COURANTE GAUCHE		
3	4401010501	TAMPON ARTICULÉ	6	00025R0001	MONTANT ECHELLE DOUBLE		

CODE **26769**

DESCRIPTION: **ELEVATED POOL LADDER**

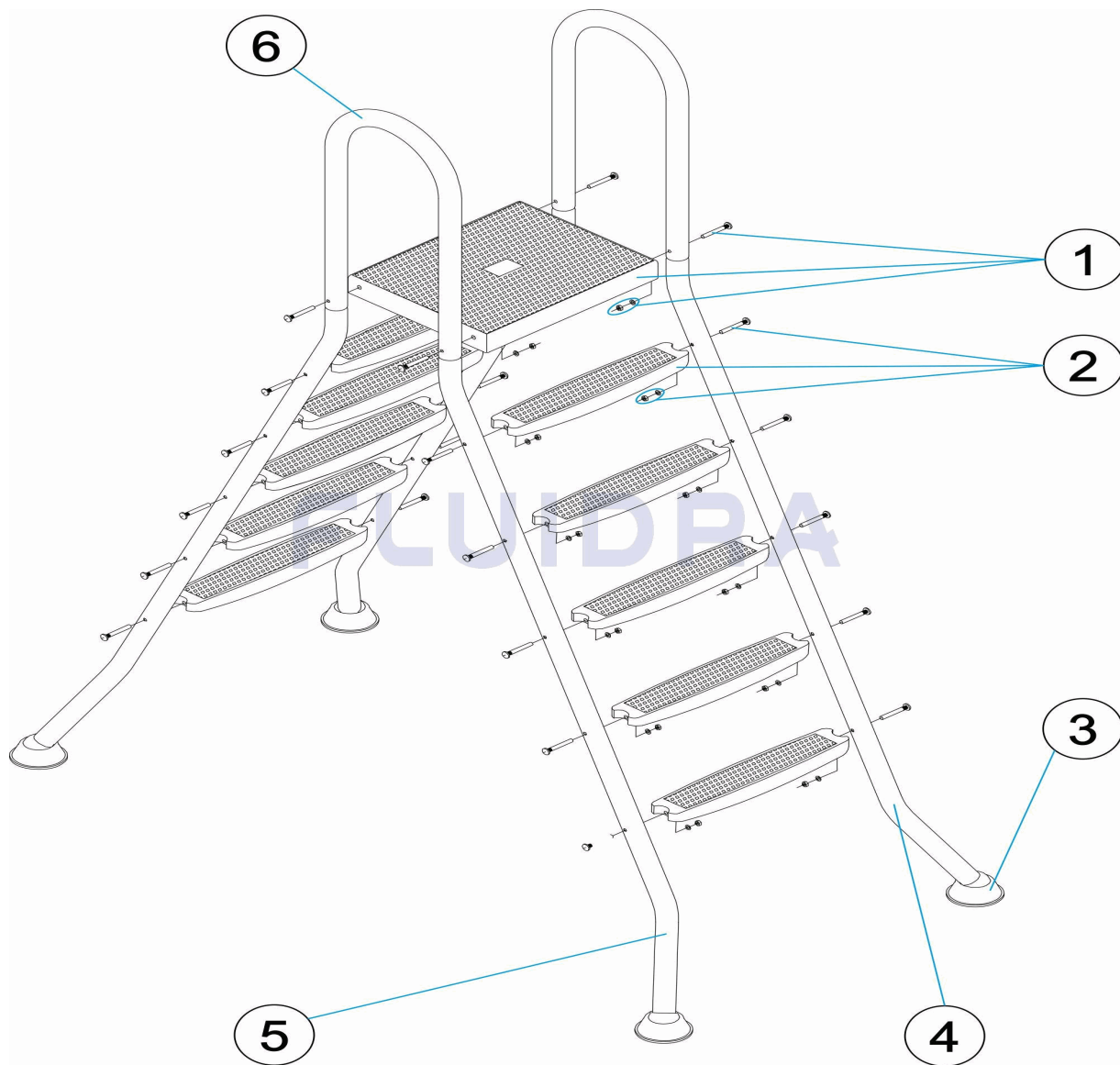


ENGLISH

POS	CODE	DESCRIPTION	QUANTITY	POS	CODE	DESCRIPTION	QUANTITY
1	4401011403	PLASTIC TREAD		4	26769R0300	RIGHT HANDRAIL	
2	4401010026	ANGLED PLASTIC TREAD 500 A4		5	26769R0200	LEFT HANDRAIL	
3	4401010501	ARTICULATED FOOT PAD		6	00025R0001	UNION	

CODICE **26769**

DESCRIZIONE: **SCALA PISCINA ELEVATA**

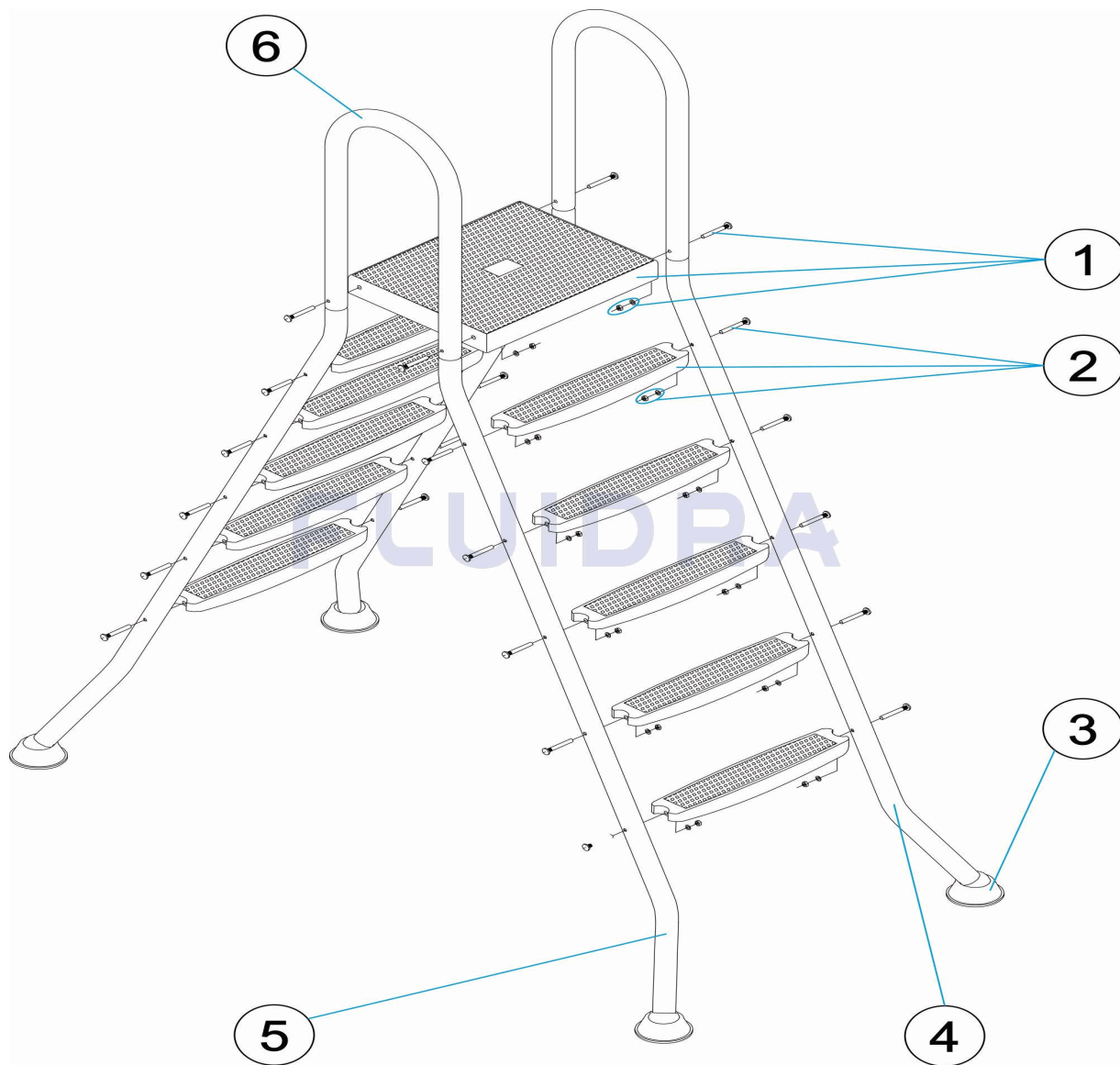


ITALIANO

POS	CODICE	DESCRIZIONE	QUANTITA'	POS	CODICE	DESCRIZIONE	QUANTITA'
1	4401011403	GRADINO IN PLASTICA		4	26769R0300	CORRIMANO DIRITTO	
2	4401010026	GRADINO IN PLASTICA DA 500 INCLINATO		5	26769R0200	CORRIMANO SINISTRO	
3	4401010501	PIEDINO SNODABILE		6	00025R0001	PONTE DI UNIONE	

CODE 26769

BESCHREIBUNG: TREPPE AUFSTELLBECKEN

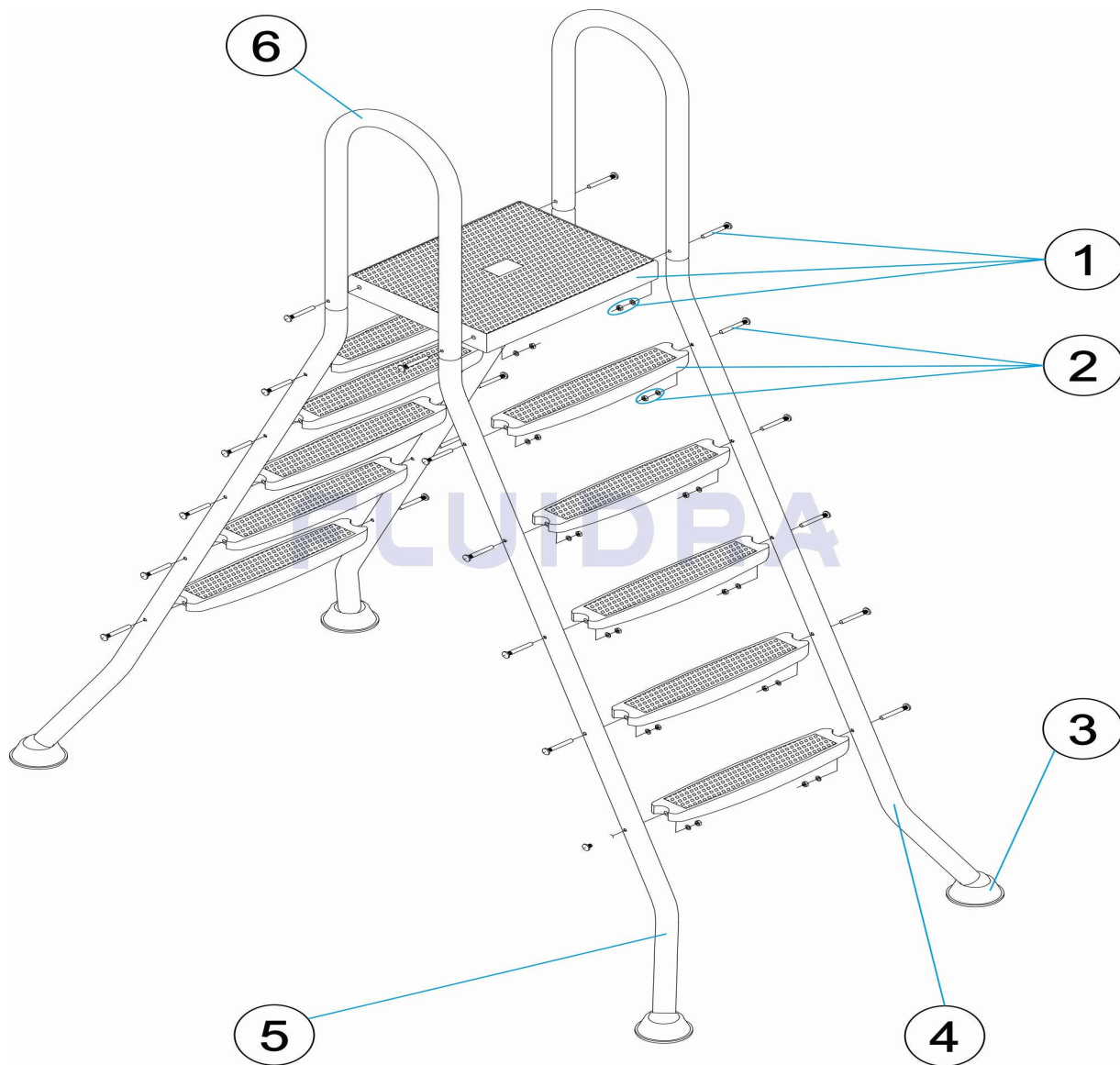


DEUTSCH

POS	CODE	BESCHREIBUNG	MENGE	POS	CODE	BESCHREIBUNG	MENGE
1	4401011403	STUFE KUNSTSTOFF		4	26769R0300	HANDLAUF RECHTS	
2	4401010026	STUFE KUNSTSTOFF 500 GENEIGT A4		5	26769R0200	HANDLAUF LINKS	
3	4401010501	BEWEGLICHER ABSCHLUSS		6	00025R0001	VERBINDUNGSBRÜCKE	

CODIGO **26769**

DESCRIÇÃO: **ESCADA PISCINA ELEVADA**



PORTUGUES

POS	CODIGO	DESCRIÇÃO	JANTIDADE	POS	CODIGO	DESCRIÇÃO	JANTIDADE
1	4401011403	DEGRAU PLÁSTICO	4	4	26769R0300	CORRIMÃO DIREITO	
2	4401010026	DEGRAU PLÁSTICO 500 INCLINADO A4	5	5	26769R0200	CORRIMÃO ESQUERDO	
3	4401010501	BATENTE ARTICULADA	6	6	00025R0001	PONTE UNIÃO	