

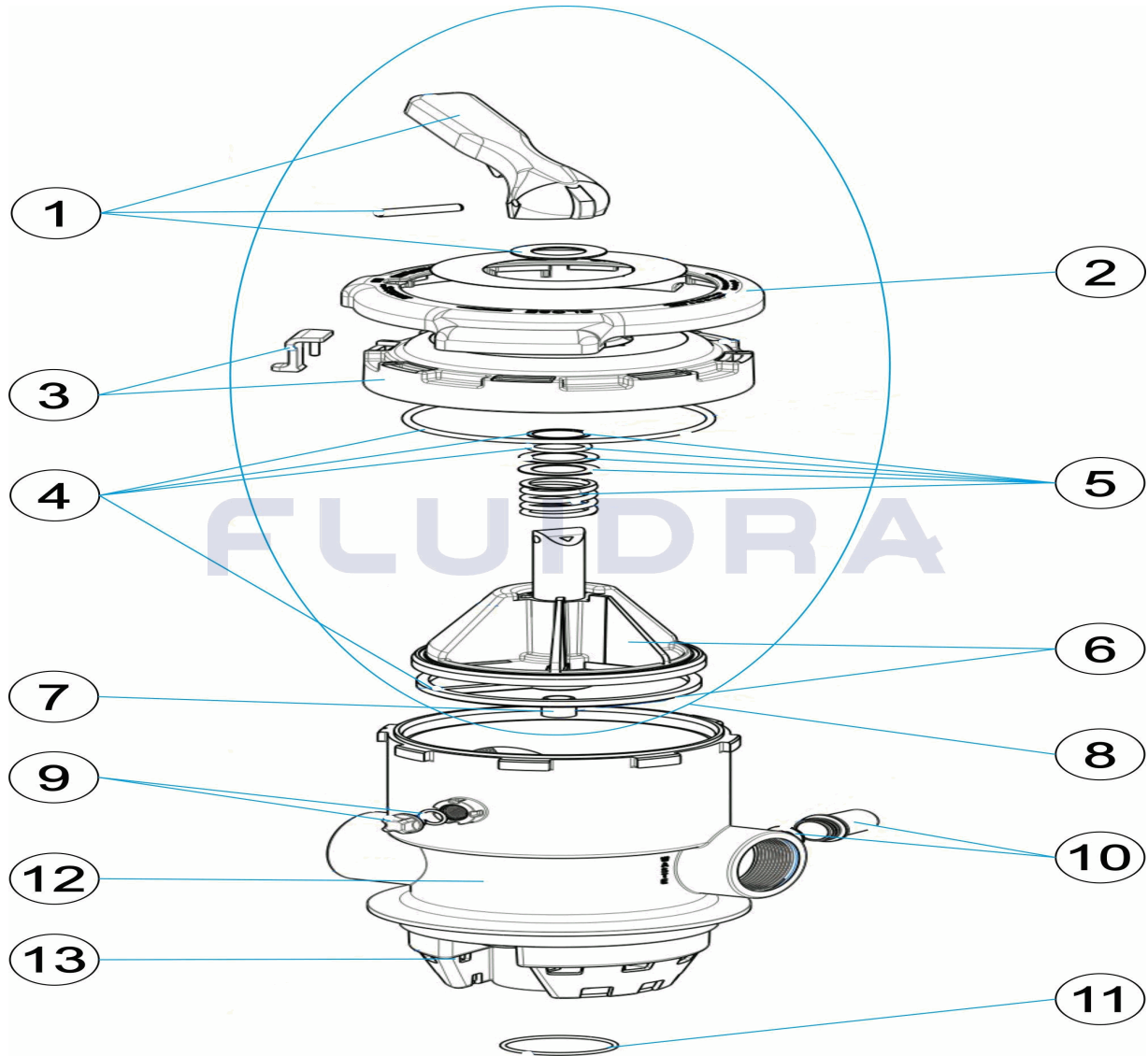
# KIT

REV: 0  
FECHA: 01/12/2022  
HOJA: 1/6

1772

CODIGO **MPV20/M2TN**

DESCRIPCION: **VALVULA SELECTORA TOP 2"**

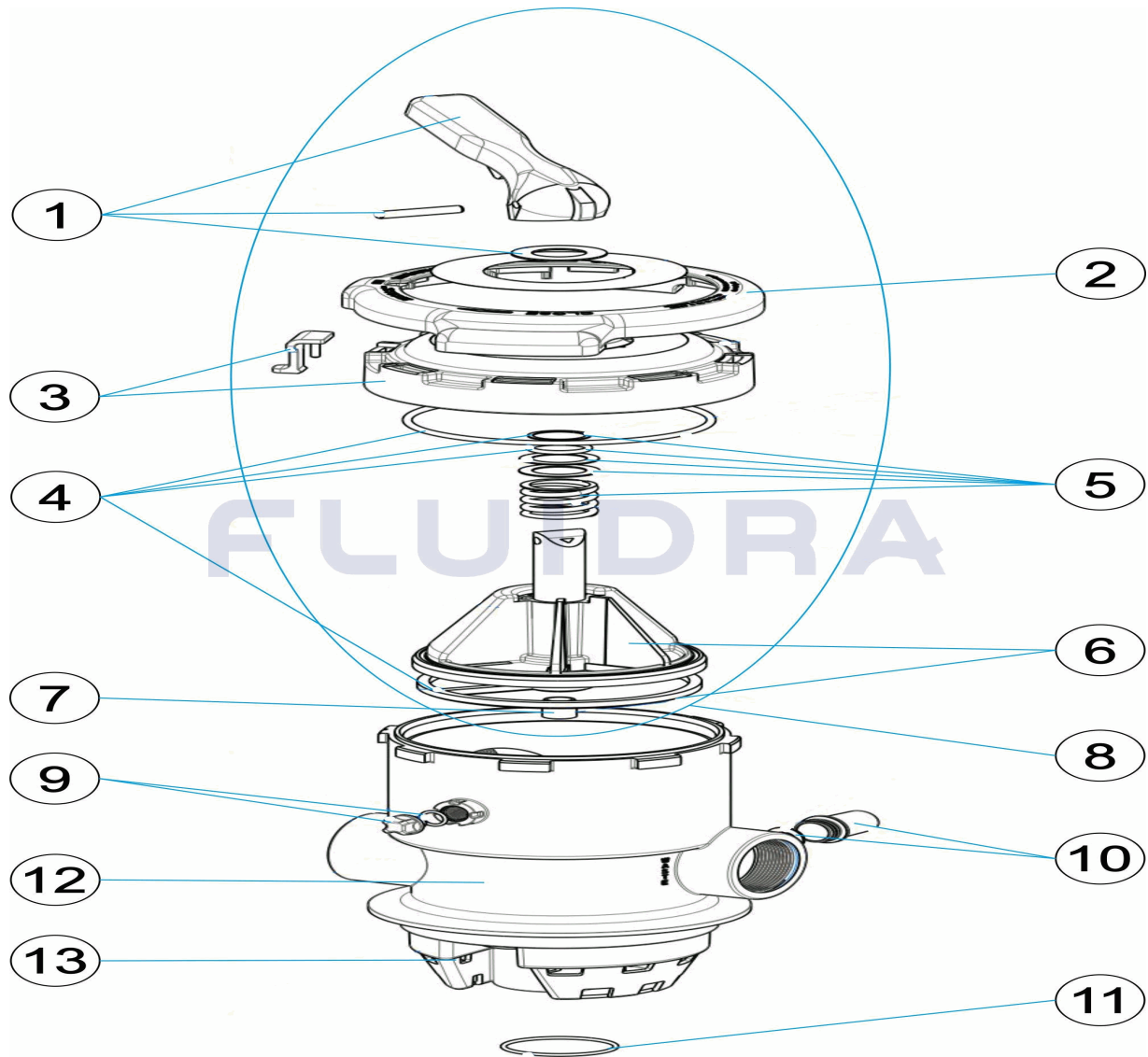


**ESPAÑOL**

POS	CODIGO	DESCRIPCION	CANTIDAD	POS	CODIGO	DESCRIPCION	CANTIDAD
1	4404120090	MANETA ½" NEGRA NEUTR "		8	4404120137	CJTO. SUPERIOR 2"	
2	4404121904	LLAVE VALVULA SELECTORA 2" BAYONET/		9	4401043621	CJTO. TAPON PURGA	
3	4404120136	TAPA VALVULA 2 "		10	4404120108	VISOR CON JUNTA	
4	4404120025	JUNTAS VALVULA 2" BAYONET "		11	4404120138	JUNTA TORICA 58X3 DIFUSOR	
5	4404120005	RESORTE CON ARANDELAS VALV. MIDAS		12	4404010458	CJTO. CUERPO 2"	
6	4404121802	DISTRIBUIDOR CON JUNTA 2" BAYONET "		13	4404010459	DIFUSOR VALVULA TOP	
7	4404121804	CASQUILLO CAMPANA 2" BAYONET "					

CODE

**MPV20/M2TN**

 DESCRIPTION: **SÉLECTEUR TOP 2"**

**FRANCAIS**

POS	CODE	DESCRIPTION	QUANTITE	POS	CODE	DESCRIPTION	QUANTITE
1	4404120090	POIGNEE 1 1/2" NOI "		8	4404120137	ENSEMBLE SUPÉRIEUR 2"	
2	4404121904	CLÉ VANNE MULTIVOIES 2" BAÏONETT "		9	4401043621	ENSEMBLE BOUCHON PURGE	
3	4404120136	DESSUS DE VANNE 2"		10	4404120108	VOYANT ET JOINT	
4	4404120025	JOINTS VANNE 2" BAÏONETT "		11	4404120138	JOINT TORIQUE 58X3 DIFFUSEUR	
5	4404120005	RESSORT ET RONDELLES MIDAS 1 1/2"		12	4404010458	CORPS 2" VANNE	
6	4404121802	DISTRIBUTEUR AVEC JOINT 2" BAÏONETT		13	4404010459	DIFFUSEUR DE VANNE TOP	
7	4404121804	DOUILLE CAMPANA 2 " BAÏONETT "					

# PARTS BREAKDOWN

REV.: 0

1772

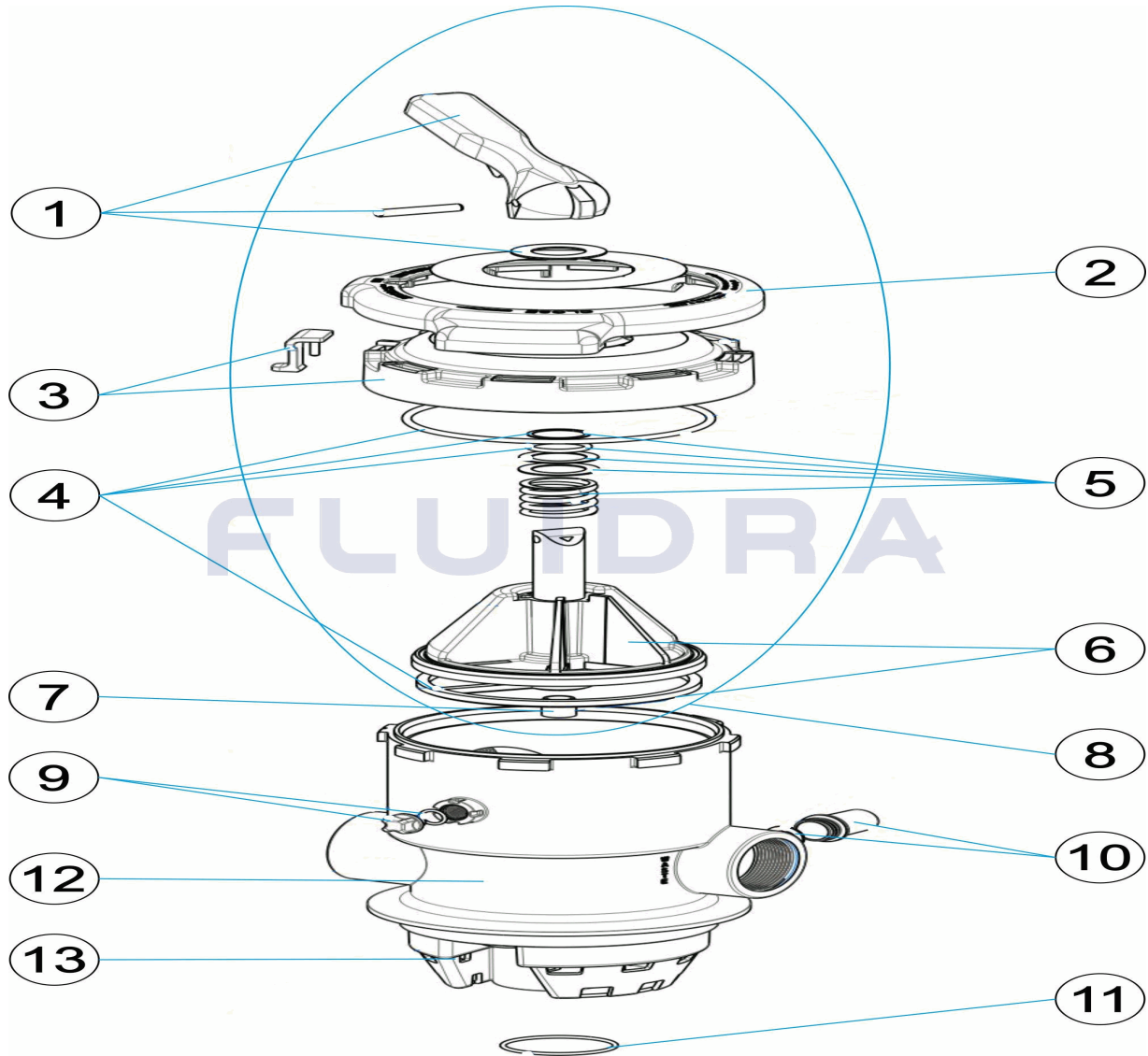
DATE: 01/12/2022

SHEET: 3/6

CODE

MPV20/M2TN

DESCRIPTION: MULTIPORT VALVE TOP 2"



**ENGLISH**

POS	CODE	DESCRIPTION	QUANTITY	POS	CODE	DESCRIPTION	QUANTITY
1	4404120090	HANDLE 1 1/2" BLAC "		8	4404120137	SET. SUPERIOR 2	
2	4404121904	KEY SELECTOR VALVE 2 " BAYONE "		9	4401043621	DRAIN CAP SET	
3	4404120136	VALVE 2"		10	4404120108	VISOR WITH SEAL	
4	4404120025	MEETINGS VALVE 2" BAYONE "		11	4404120138	O-RING 58X3 DIFFUSER	
5	4404120005	SPRING WITH WASHERS MIDAS 1 1/2"		12	4404010458	SET BLACK BODY 2"	
6	4404121802	DISTRIBUTOR WITH GASKETS 2"		13	4404010459	DIFFUSER	
7	4404121804	SOCKET BELL 2 " BAYONE "					

# ESPLOSO

REV.: 0

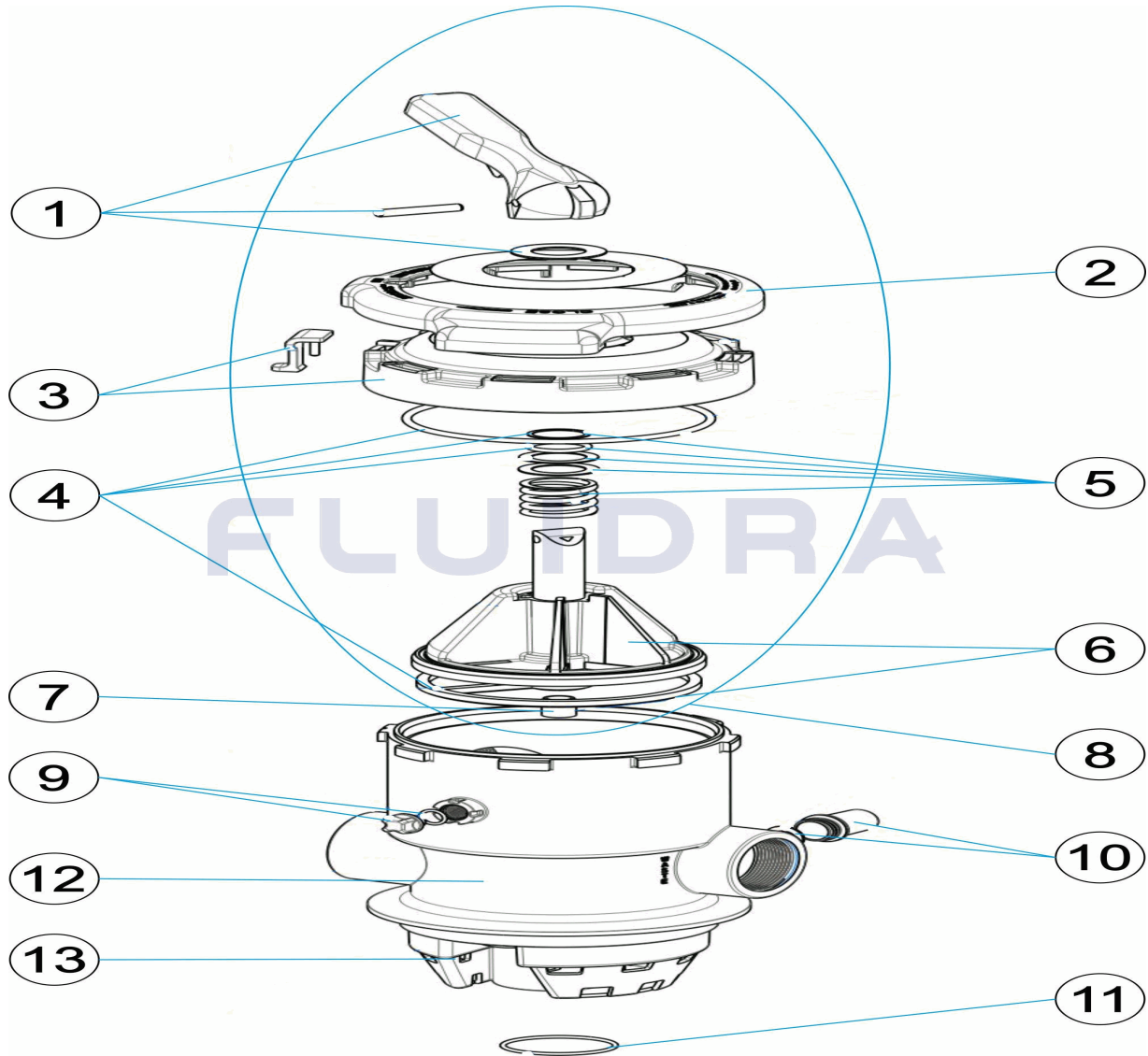
1772

DATA: 01/12/2022

PAG.: 4/6

CODICE **MPV20/M2TN**

DESCRIZIONE: **VALVOLA SELETRICE TOP 2"**



## ITALIANO

POS	CODICE	DESCRIZIONE	QUANTITA'	POS	CODICE	DESCRIZIONE	QUANTITA'
1	4404120090	MANIGLIA 1 1/2" NER "		8	4404120137	KIT PARTE SUPERIORE SELETRICE 2"	
2	4404121904	CLÉ VANNE MULTIVOIES 2" BAÏONETT "		9	4401043621	CONGIUNTO COPERCHIO SPURGO	
3	4404120136	COPERCHIO VALVOLA 2"		10	4404120108	VISORE CON GUARNIZIONE	
4	4404120025	KIT GUARNICIONI SELETRICE 2" A BAIONE		11	4404120138	DIFFUSORE O-RING 58X3	
5	4404120005	MOLLA CON RONDELLA MIDAS 1 1/2"		12	4404010458	KIT CORPO NERO SALETRICE 2"	
6	4404121802	CAMPANA CON GUARNIZIONE SELETRIC		13	4404010459	DIFFUSORE VALVOLA TOP	
7	4404121804	PERNO CAMPANA SELETRICE 2" BAIONE					

# EINZELTEILE

ÜBER.: 0

1772

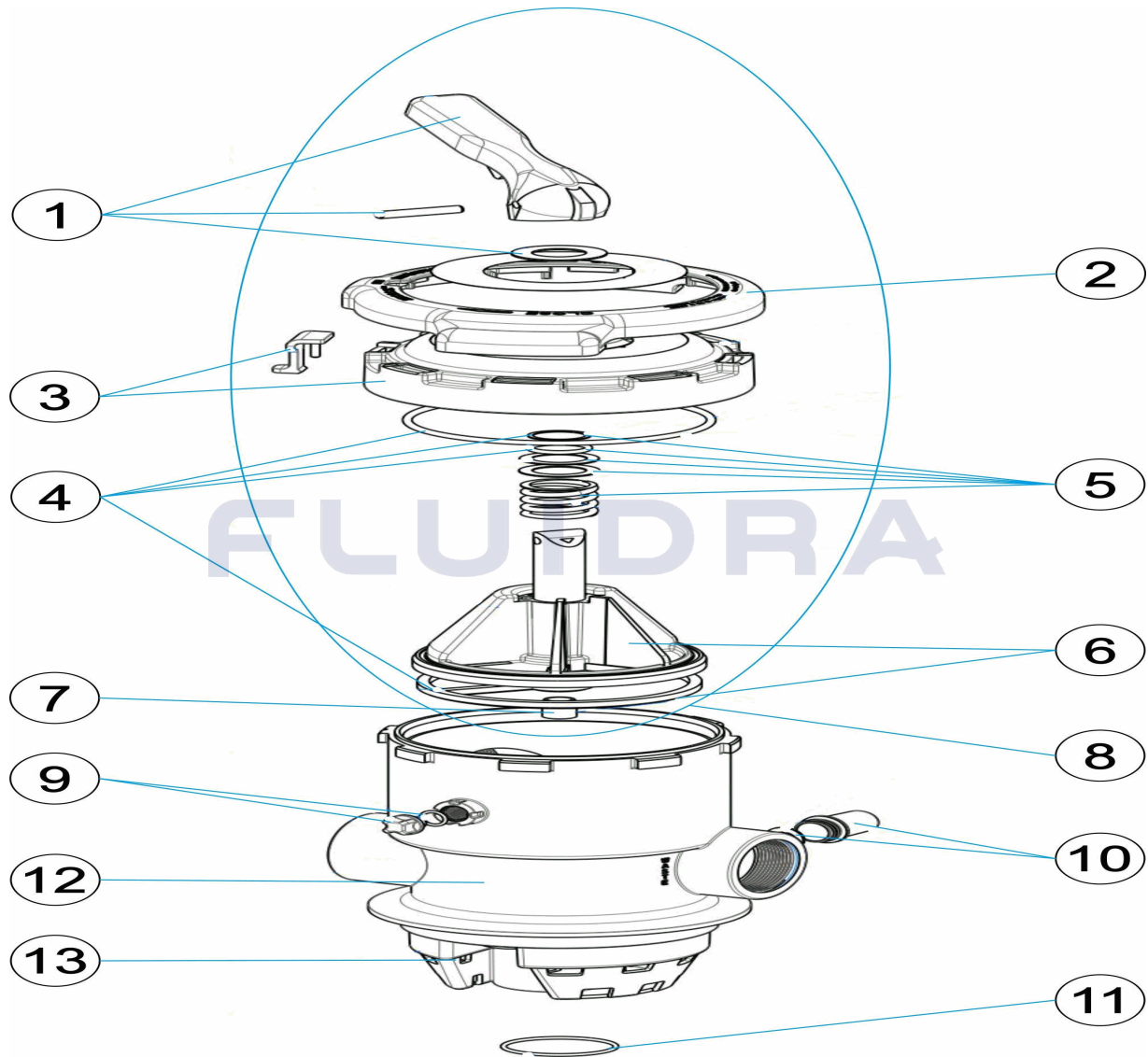
DATUM: 01/12/2022

BLATT: 5/6

CODE

MPV20/M2TN

BESCHREIBUNG: MEHRWEGVENTIL TOP 2"



## DEUTSCH

POS	CODE	BESCHREIBUNG	MENGE	POS	CODE	BESCHREIBUNG	MENGE
1	4404120090	GRIFF 1/2" SCHWARZ NEUTRA "		8	4404120137	SET OBEN 2"	
2	4404121904	SCHLÜSSEL MEHRWEGVENTIL 2" BAJONE		9	4401043621	SET ABLASSSTOPFEN	
3	4404120136	VENTILDECKEL 2"		10	4404120108	SCHAUGLAS UND DICHUNG	
4	4404120025	VENTILDICHTUNGEN 2" BAJONET "		11	4404120138	O-RING 58X3 DIFFUSOR	
5	4404120005	FEDER MIT UNTERLEGSCHLEIBEN VENTIL		12	4404010458	SET GEHÄUSE 2"	
6	4404121802	VERTEILER UND DICHUNG 2" BAJONET "		13	4404010459	WASSERVERTEILER VENTIL TOP	
7	4404121804	FASSUNG 2" BAJONET "					

# ITEM

REV.: 0

1772

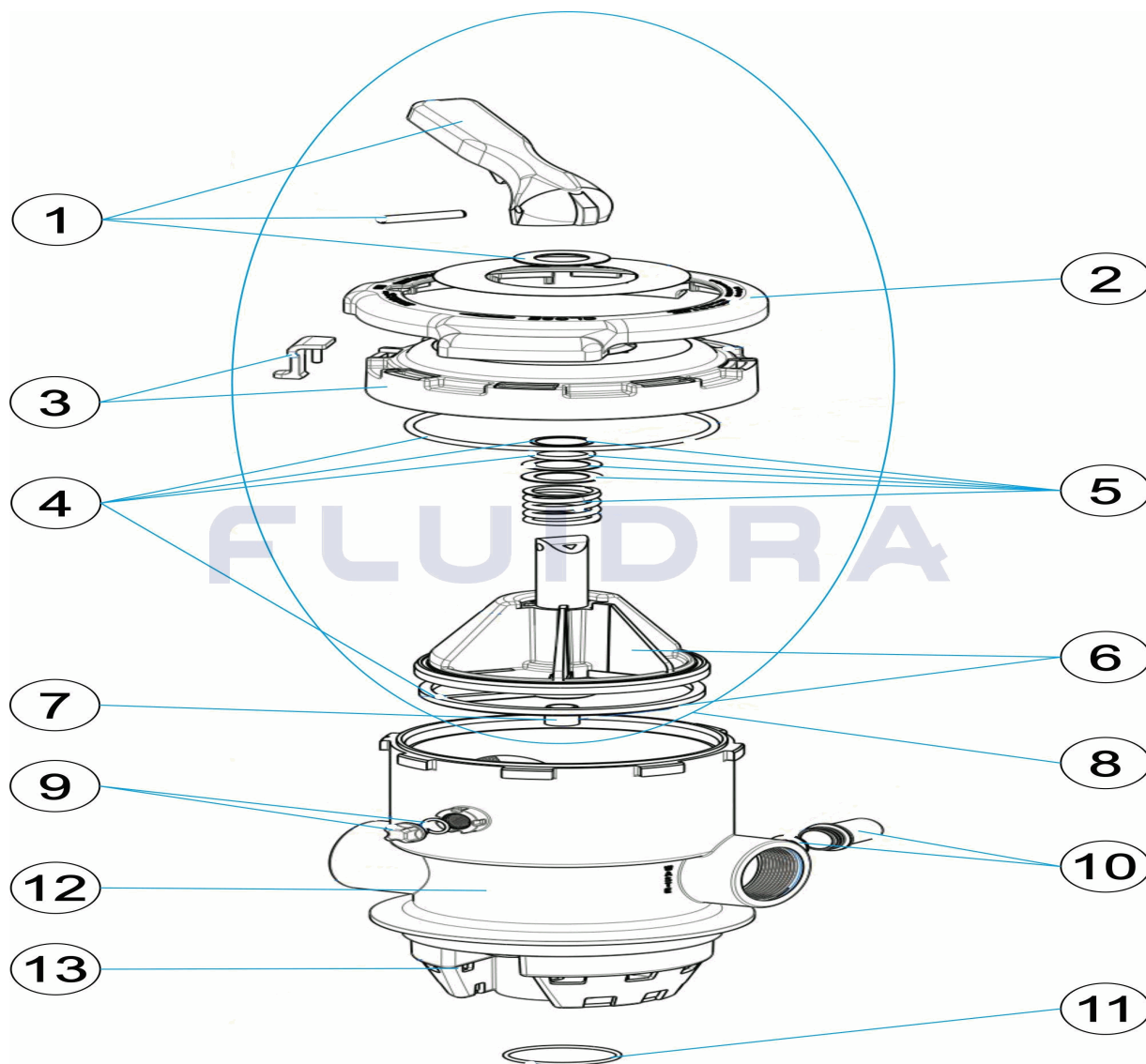
DATA: 01/12/2022

FOLHA: 6/6

CODIGO

**MPV20/M2TN**

DESCRICÃO: **VÁLVULA SELECTORA TOP 2"**



## PORTUGUES

POS	CODIGO	DESCRICÃO	JANTIDADE	POS	CODIGO	DESCRICÃO	JANTIDADE
1	4404120090	MANIPULO 1 1/2" PRET "		8	4404120137	CONJUNTO SUPERIOR 2"	
2	4404121904	CHAVE VÁLVOLA SELECTORA 2" BAIONET		9	4401043621	CJTO. TAMPÃO PURGA	
3	4404120136	TAMPA VALVULA 2"		10	4404120108	VISOR COM JUNTA	
4	4404120025	JUNTAS VÁLVOLA 2" BAIONET "		11	4404120138	DIFUSOR O-RING 58X3	
5	4404120005	MOLA COM ANILHAS MIDAS 1 1/2"		12	4404010458	CONJUNTO DE CORPO 2"	
6	4404121802	DISTRIBUIDOR CON JUNTA 2" BAIONET "		13	4404010459	DIFUSOR VALVULA TOP	
7	4404121804	CASQUILLO 2" BAIONETT "					