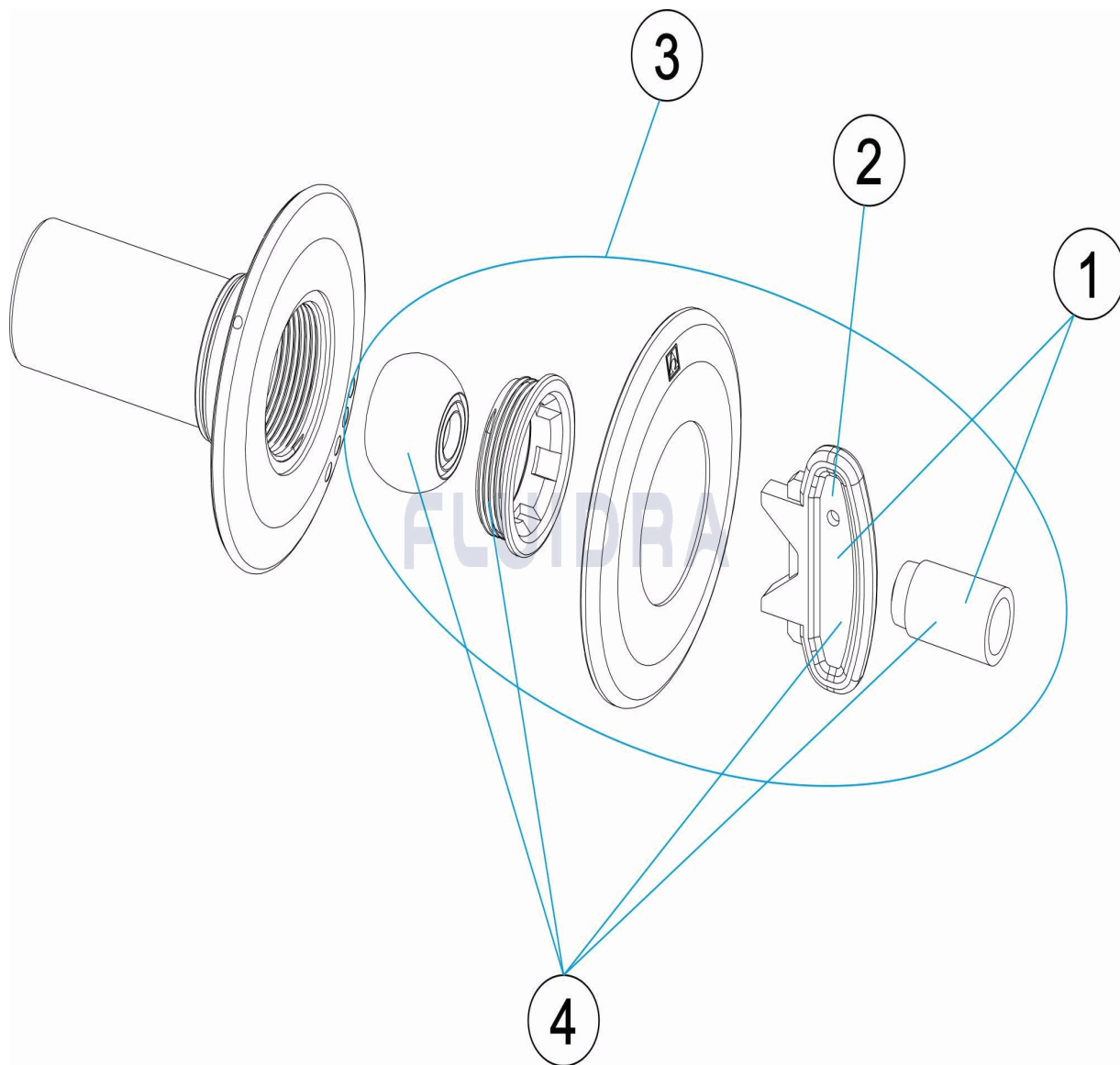


CODIGO 76493, 76493CL090, 76493CL129, 76493CL144

DESCRIPCION: BOQUILLA IMPULSION PISCINA HORMIGON D.50



ESPAÑOL

POS	CODIGO	DESCRIPCION	CANTIDAD	POS	CODIGO	DESCRIPCION	CANTIDAD
1	4402040093	LLAVE BOQUILLA		3	* 4402040053	BOLA MULTIFLOW COMPLETA	
2	4402040304	LLAVE BOQUILLA		4	* 4411030311	BOLA MULTIFLOW SKIMMER MOCHILA	
3	* 4402040301	BOLA MULTIFLOW COMPLETA		4	* 4402040054	BOLA MULTIFLOW SKIMMER MOCHILA	
3	* 4402040051	BOLA MULTIFLOW COMPLETA		4	* 4402040055	BOLA MULTIFLOW SKIMMER MOCHILA	
3	* 4402040052	BOLA MULTIFLOW COMPLETA		4	* 4402040056	BOLA MULTIFLOW SKIMMER MOCHILA	

CODIGO 76493, 76493CL090, 76493CL129, 76493CL144

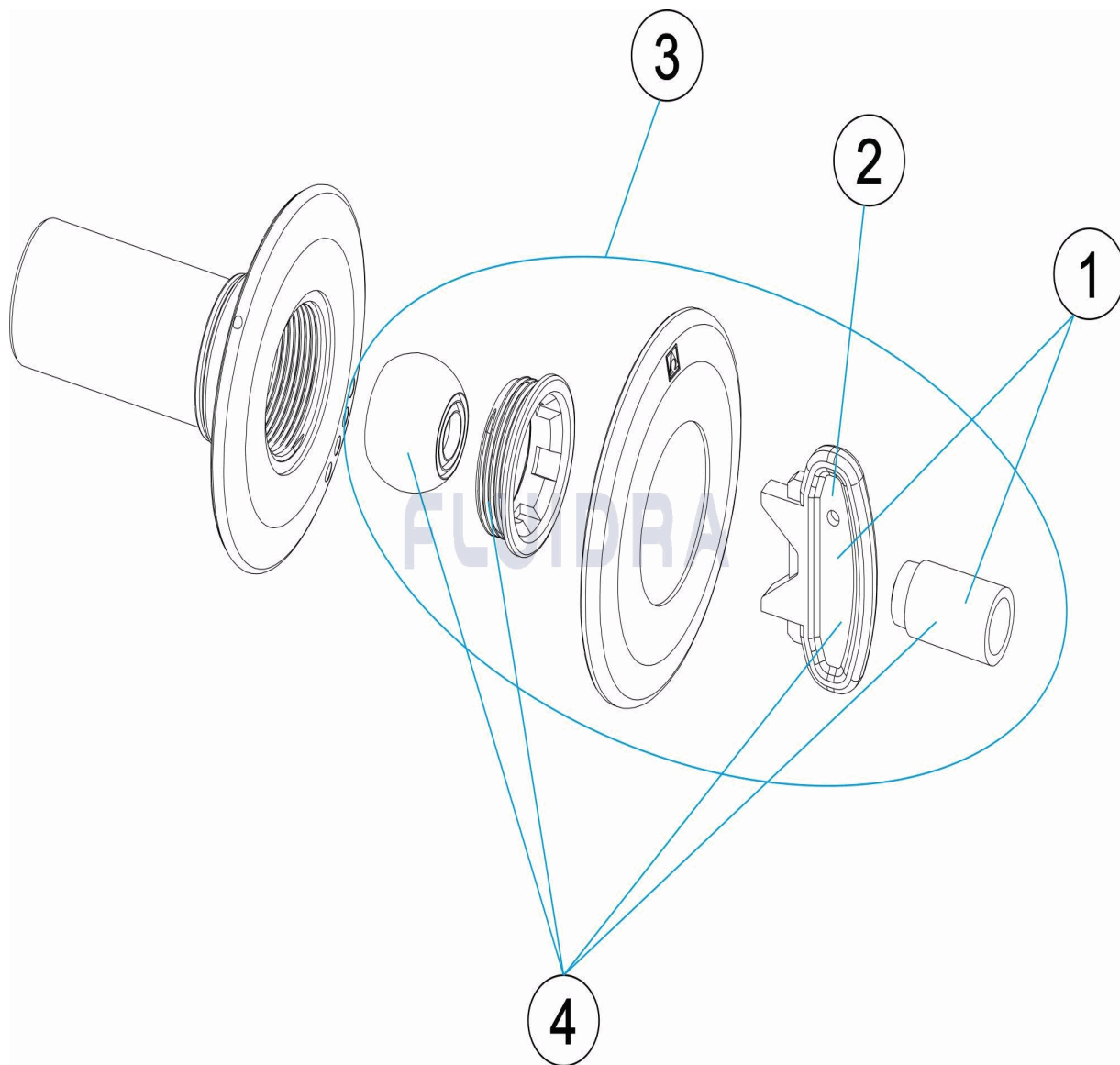
DESCRIPCION: BOQUILLA IMPULSION PISCINA HORMIGON D.50

OBSERVACIONES

POS	CODIGO	OBSERVACIONES
3	* 4402040301	PARA: 76493 WHITE
3	* 4402040051	PARA: 76493CL090 BEIGE
3	* 4402040052	PARA: 76493CL129 GREY
3	* 4402040053	PARA: 76493CL144 ANTHRACITE
4	* 4411030311	PARA: 76493 WHITE
4	* 4402040054	PARA: 76493CL090 BEIGE
4	* 4402040055	PARA: 76493CL129 GREY
4	* 4402040056	PARA: 76493CL144 ANTHRACITE

CODE **76493, 76493CL090, 76493CL129, 76493CL144**

DESCRIPTION: **BUSE REFOULEMENT PISCINE BÉTON D.50**



FRANCAIS

POS	CODE	DESCRIPTION	QUANTITE	POS	CODE	DESCRIPTION	QUANTITE
1	4402040093	CLEF POUR BUSE		3	* 4402040053	ENSEMBLE ROTULE MULTIFLOW COMPLE	
2	4402040304	CLEF POUR BUSE		4	* 4411030311	ROTULE MULTIFLOW SKIMMER MONOBLO	
3	* 4402040301	ENSEMBLE ROTULE MULTIFLOW COMPLE		4	* 4402040054	ROTULE MULTIFLOW SKIMMER MONOBLO	
3	* 4402040051	ENSEMBLE ROTULE MULTIFLOW COMPLE		4	* 4402040055	ROTULE MULTIFLOW SKIMMER MONOBLO	
3	* 4402040052	ENSEMBLE ROTULE MULTIFLOW COMPLE		4	* 4402040056	ROTULE MULTIFLOW SKIMMER MONOBLO	

CODE **76493, 76493CL090, 76493CL129, 76493CL144**

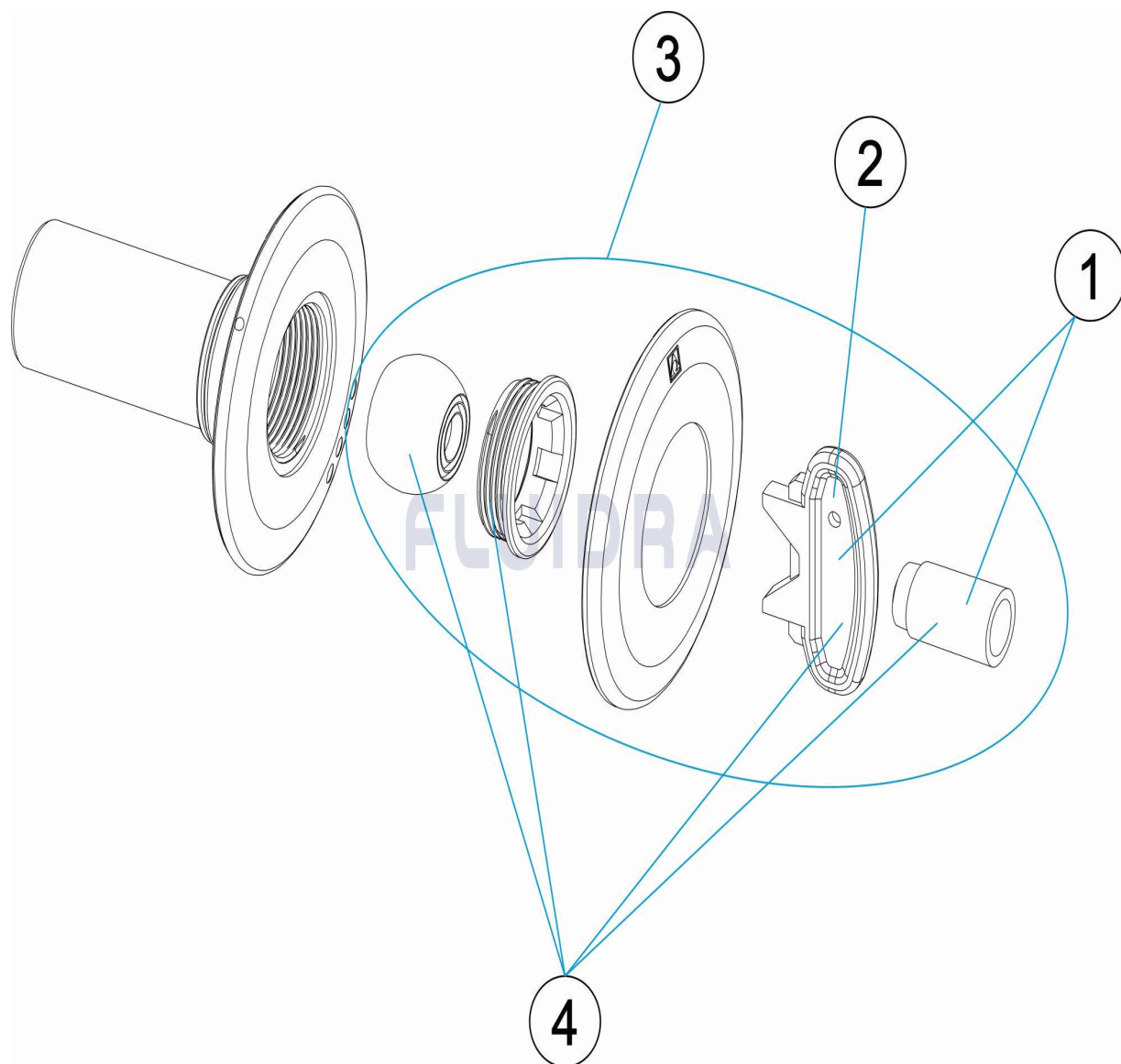
DESCRIPTION: **BUSE REFOULEMENT PISCINE BÉTON D.50**

OBSERVATIONS

POS	CODE	OBSERVATIONS
3	* 4402040301	POUR: 76493 WHITE
3	* 4402040051	POUR: 76493CL090 BEIGE
3	* 4402040052	POUR: 76493CL129 GREY
3	* 4402040053	POUR: 76493CL144 ANTHRACITE
4	* 4411030311	POUR: 76493 WHITE
4	* 4402040054	POUR: 76493CL090 BEIGE
4	* 4402040055	POUR: 76493CL129 GREY
4	* 4402040056	POUR: 76493CL144 ANTHRACITE

CODE 76493, 76493CL090, 76493CL129, 76493CL144

DESCRIPTION: RETURN INLET CONCRETE POOL D.50



ENGLISH

POS	CODE	DESCRIPTION	QUANTITY	POS	CODE	DESCRIPTION	QUANTITY
1	4402040093	KEY FOR INLET		3	* 4402040053	MULTIFLOW EYEBALL ASSEMBLY	
2	4402040304	KEY FOR INLET		4	* 4411030311	MULTIFLOW BALL, UNIVER. SKIMMER	
3	* 4402040301	MULTIFLOW EYEBALL ASSEMBLY		4	* 4402040054	MULTIFLOW BALL, UNIVER. SKIMMER	
3	* 4402040051	MULTIFLOW EYEBALL ASSEMBLY		4	* 4402040055	MULTIFLOW BALL, UNIVER. SKIMMER	
3	* 4402040052	MULTIFLOW EYEBALL ASSEMBLY		4	* 4402040056	MULTIFLOW BALL, UNIVER. SKIMMER	

CODE **76493, 76493CL090, 76493CL129, 76493CL144**

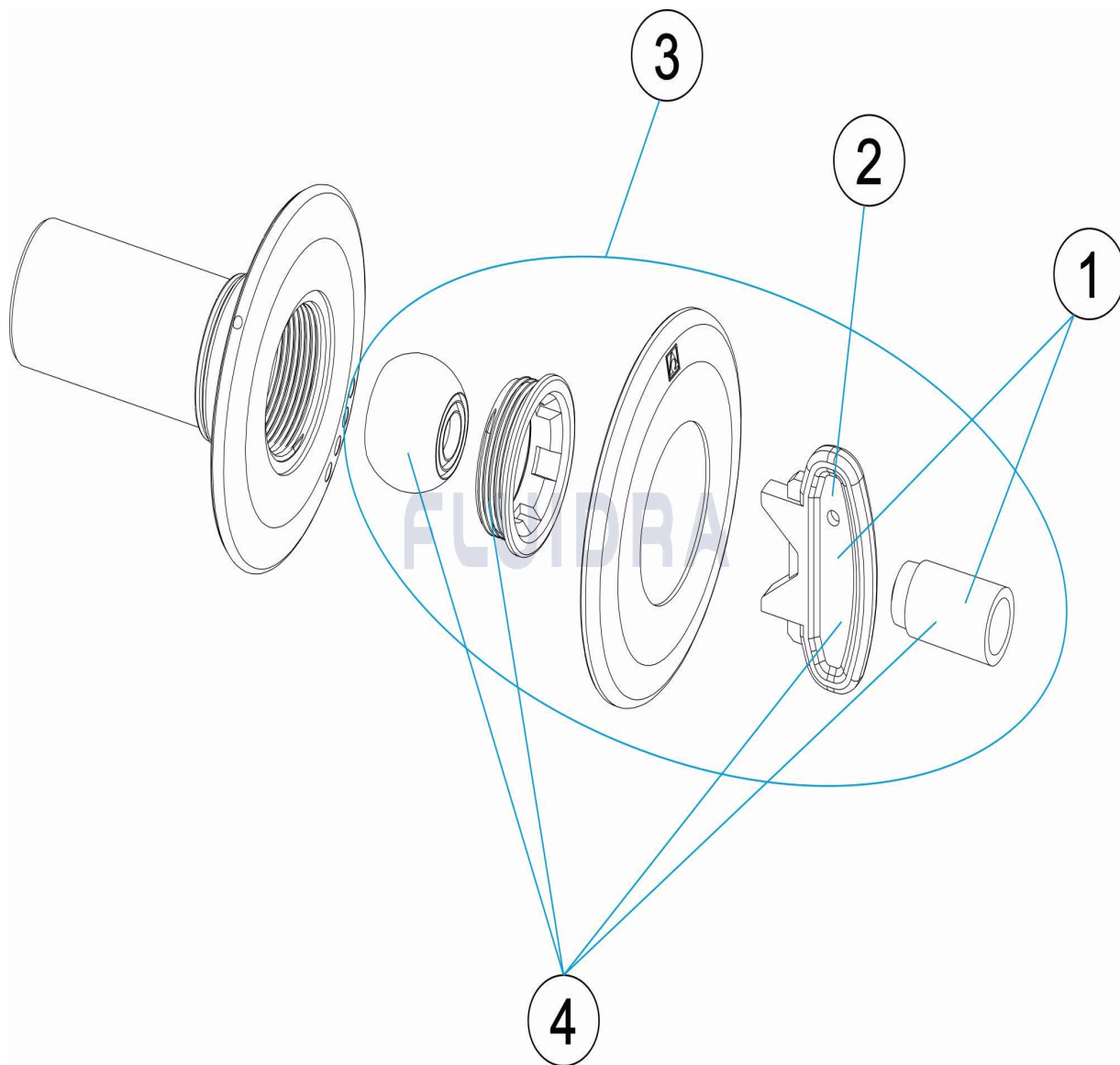
DESCRIPTION: **RETURN INLET CONCRETE POOL D.50**

OBSERVATIONS

POS	CODE	OBSERVATIONS
3	* 4402040301	FOR: 76493 WHITE
3	* 4402040051	FOR: 76493CL090 BEIGE
3	* 4402040052	FOR: 76493CL129 GREY
3	* 4402040053	FOR: 76493CL144 ANTHRACITE
4	* 4411030311	FOR: 76493 WHITE
4	* 4402040054	FOR: 76493CL090 BEIGE
4	* 4402040055	FOR: 76493CL129 GREY
4	* 4402040056	FOR: 76493CL144 ANTHRACITE

CODICE **76493, 76493CL090, 76493CL129, 76493CL144**

DESCRIZIONE: **BOCCHETTA IMPULSIONE PISCINA CEMENTO D.50**



ITALIANO

POS	CODICE	DESCRIZIONE	QUANTITA'	POS	CODICE	DESCRIZIONE	QUANTITA'
1	4402040093	CHIAVE		3	* 4402040053	SFERA MULTIFLOW COMPLETA	
2	4402040304	CHIAVE		4	* 4411030311	SFERA MULTI-FLOW SKIMMER	
3	* 4402040301	SFERA MULTIFLOW COMPLETA		4	* 4402040054	SFERA MULTI-FLOW SKIMMER	
3	* 4402040051	SFERA MULTIFLOW COMPLETA		4	* 4402040055	SFERA MULTI-FLOW SKIMMER	
3	* 4402040052	SFERA MULTIFLOW COMPLETA		4	* 4402040056	SFERA MULTI-FLOW SKIMMER	

CODICE **76493, 76493CL090, 76493CL129, 76493CL144**

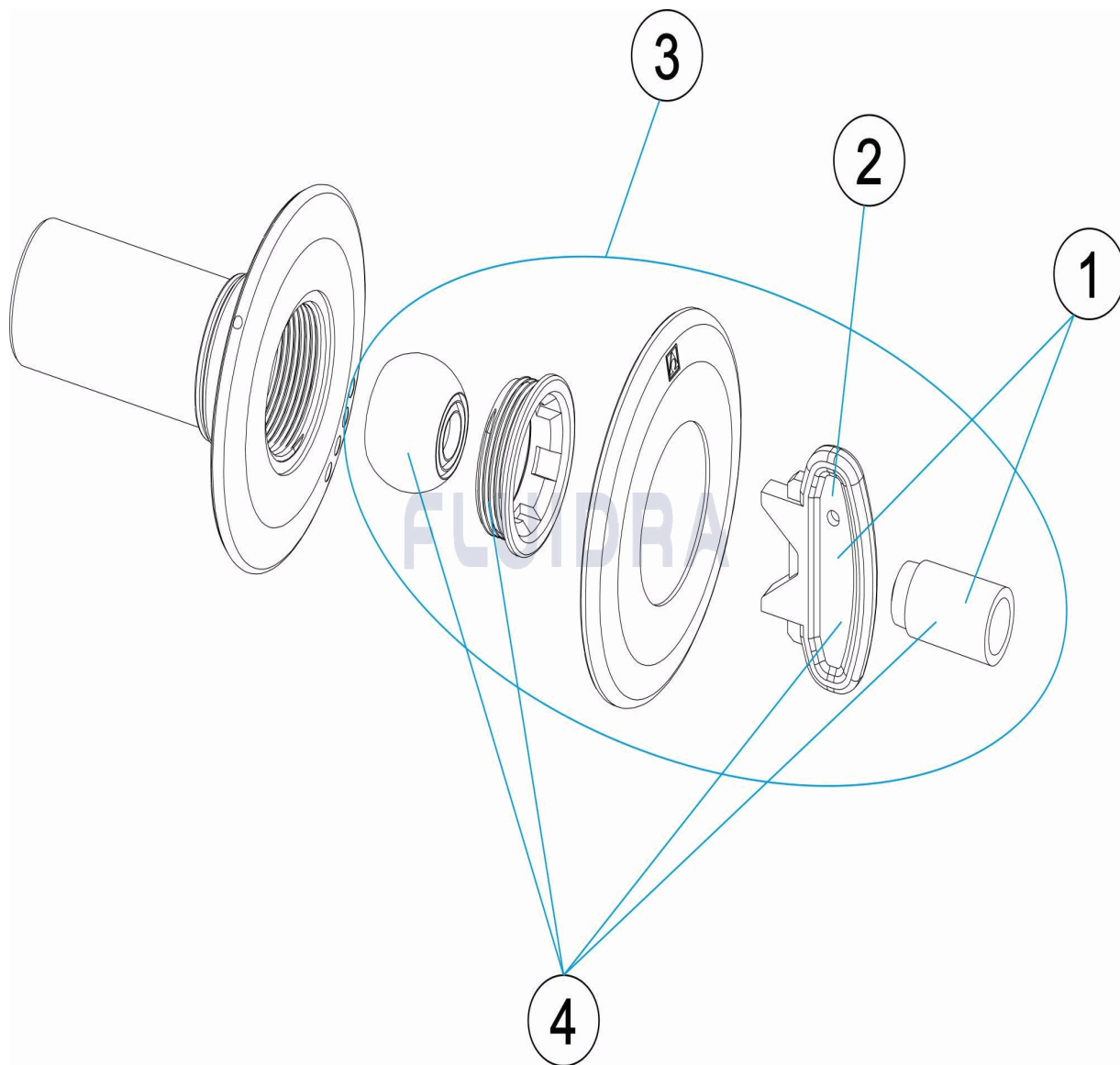
DESCRIZIONE: BOCCHETTA IMPULSIONE PISCINA CEMENTO D.50

OSSERVAZIONI

POS	CODICE	OSSERVAZIONI
3	* 4402040301	PER: 76493 WHITE
3	* 4402040051	PER: 76493CL090 BEIGE
3	* 4402040052	PER: 76493CL129 GREY
3	* 4402040053	PER: 76493CL144 ANTHRACITE
4	* 4411030311	PER: 76493 WHITE
4	* 4402040054	PER: 76493CL090 BEIGE
4	* 4402040055	PER: 76493CL129 GREY
4	* 4402040056	PER: 76493CL144 ANTHRACITE

CODE 76493, 76493CL090, 76493CL129, 76493CL144

BESCHREIBUNG: EINLAUFDÜSE BETONBECKEN D.50



DEUTSCH

POS	CODE	BESCHREIBUNG	MENGE	POS	CODE	BESCHREIBUNG	MENGE
1	4402040093	SCHLÜSSEL DÜSE		3	* 4402040053	MULTIFLOWKUGEL KOMPLETT	
2	4402040304	SCHLÜSSEL DÜSE		4	* 4411030311	MULTIFLOWKUGEL SKIMMER BEUTEL	
3	* 4402040301	MULTIFLOWKUGEL KOMPLETT		4	* 4402040054	MULTIFLOWKUGEL SKIMMER BEUTEL	
3	* 4402040051	MULTIFLOWKUGEL KOMPLETT		4	* 4402040055	MULTIFLOWKUGEL SKIMMER BEUTEL	
3	* 4402040052	MULTIFLOWKUGEL KOMPLETT		4	* 4402040056	MULTIFLOWKUGEL SKIMMER BEUTEL	

CODE **76493, 76493CL090, 76493CL129, 76493CL144**

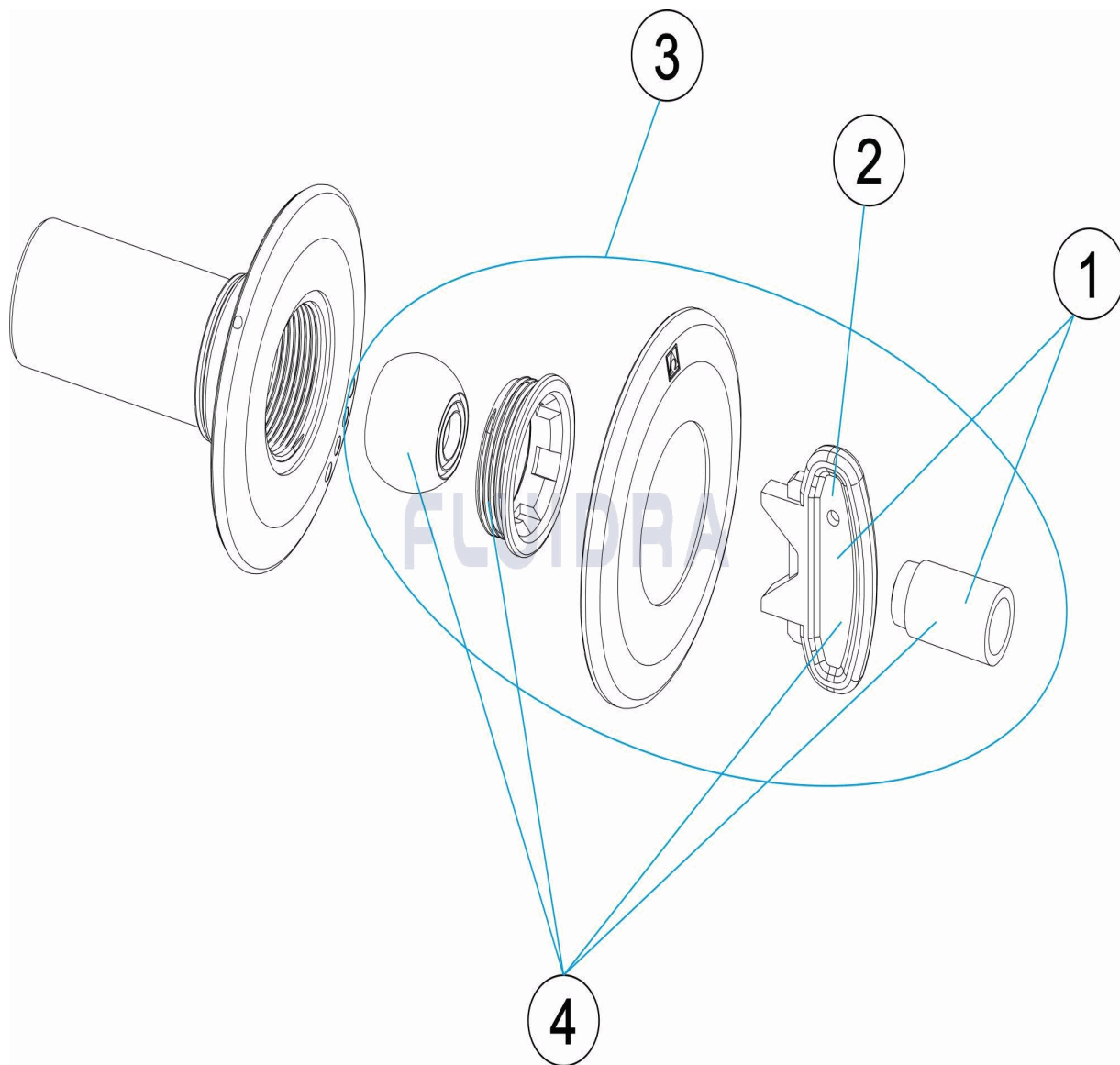
BESCHREIBUNG: **EINLAUFDÜSE BETONBECKEN D.50**

HINWEISE

POS	CODE	HINWEISE
3	* 4402040301	FÜR: 76493 WHITE
3	* 4402040051	FÜR: 76493CL090 BEIGE
3	* 4402040052	FÜR: 76493CL129 GREY
3	* 4402040053	FÜR: 76493CL144 ANTHRACITE
4	* 4411030311	FÜR: 76493 WHITE
4	* 4402040054	FÜR: 76493CL090 BEIGE
4	* 4402040055	FÜR: 76493CL129 GREY
4	* 4402040056	FÜR: 76493CL144 ANTHRACITE

CODIGO **76493, 76493CL090, 76493CL129, 76493CL144**

DESCRIÇÃO: **BOQUILHA IMPULSÃO PISCINA BETÃO D.50**



PORTUGUES

POS	CODIGO	DESCRIÇÃO	JANTIDADE	POS	CODIGO	DESCRIÇÃO	JANTIDADE
1	4402040093	CHAVE BOCA		3	* 4402040053	BOLA MULTIFLOW COMPLETA	
2	4402040304	CHAVE BOCA		4	* 4411030311	BOLA MULTIFLOW SKIMMER MOCHILA	
3	* 4402040301	BOLA MULTIFLOW COMPLETA		4	* 4402040054	BOLA MULTIFLOW SKIMMER MOCHILA	
3	* 4402040051	BOLA MULTIFLOW COMPLETA		4	* 4402040055	BOLA MULTIFLOW SKIMMER MOCHILA	
3	* 4402040052	BOLA MULTIFLOW COMPLETA		4	* 4402040056	BOLA MULTIFLOW SKIMMER MOCHILA	

CODIGO 76493, 76493CL090, 76493CL129, 76493CL144

DESCRIÇÃO: BOQUILHA IMPULSÃO PISCINA BETÃO D.50

OBSERVAÇÕES

POS	CODIGO	OBSERVAÇÕES
3	* 4402040301	PARA: 76493 WHITE
3	* 4402040051	PARA: 76493CL090 BEIGE
3	* 4402040052	PARA: 76493CL129 GREY
3	* 4402040053	PARA: 76493CL144 ANTHRACITE
4	* 4411030311	PARA: 76493 WHITE
4	* 4402040054	PARA: 76493CL090 BEIGE
4	* 4402040055	PARA: 76493CL129 GREY
4	* 4402040056	PARA: 76493CL144 ANTHRACITE