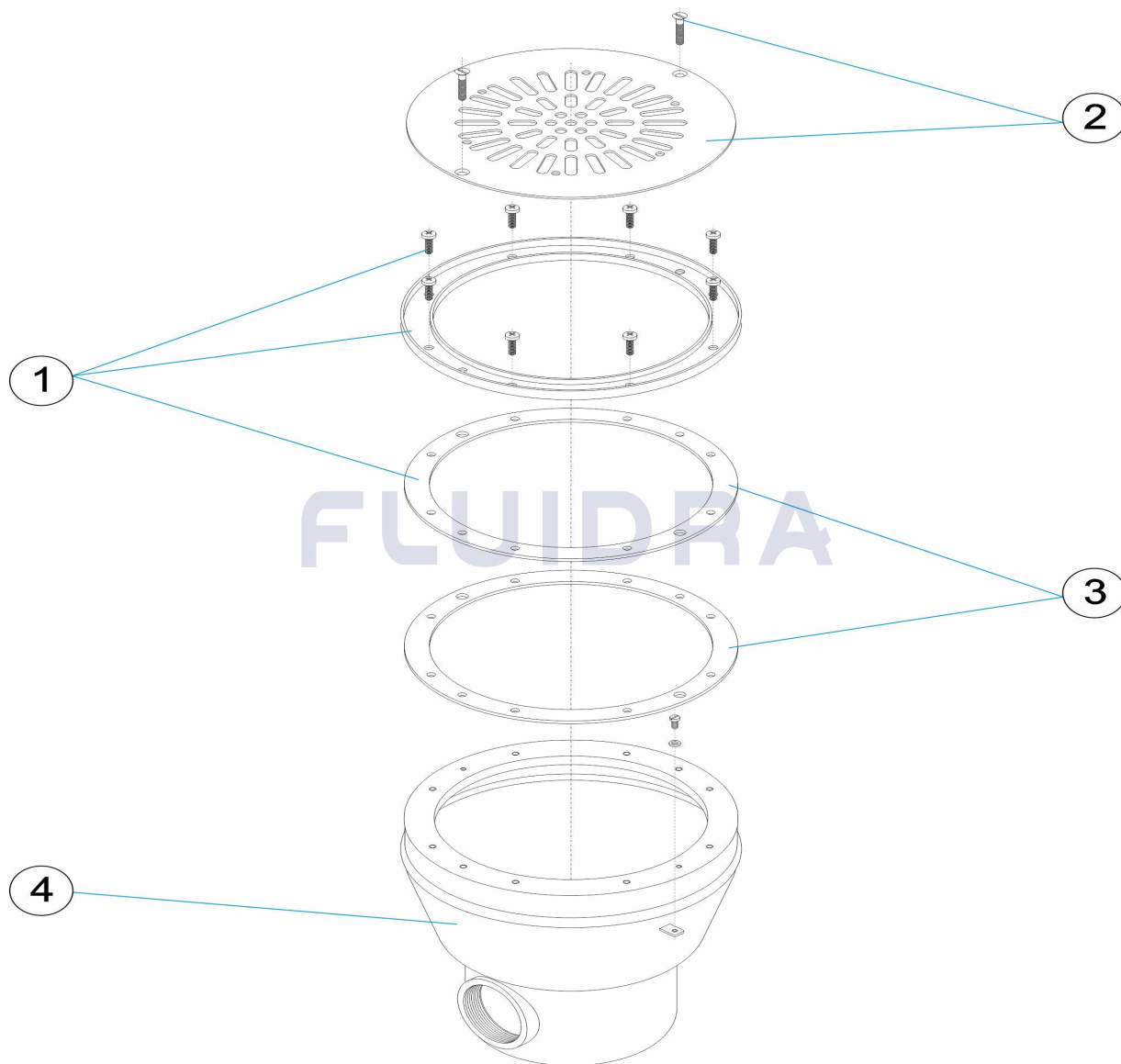


CODIGO **00275**

DESCRIPCION: **SUMIDERO 2"**

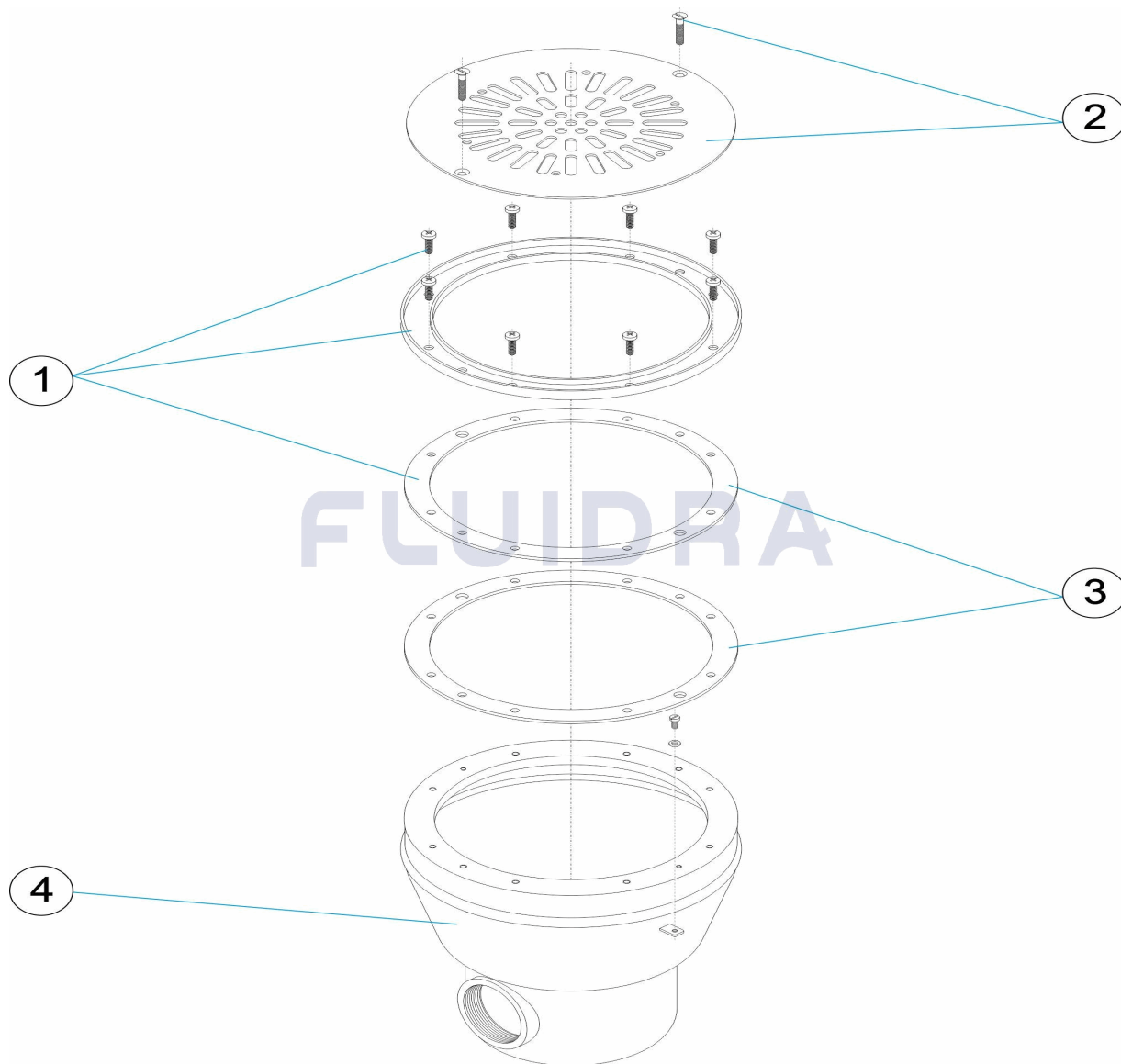


**ESPAÑOL**

| POS | CODIGO     | DESCRIPCION                  | CANTIDAD | POS | CODIGO     | DESCRIPCION                | CANTIDAD |
|-----|------------|------------------------------|----------|-----|------------|----------------------------|----------|
| 1   | 4402021501 | BRIDA SUMIDERO INOX.         |          | 3   | 4402021503 | JUNTA PISCINA PREFABRICADA |          |
| 2   | 4402021502 | REJA ACERO INOX. PISC. PREF. |          | 4   | 00275R0100 | CUERPO SUMIDERO            |          |

CODE **00275**

DESCRIPTION: **BUSE 2"**

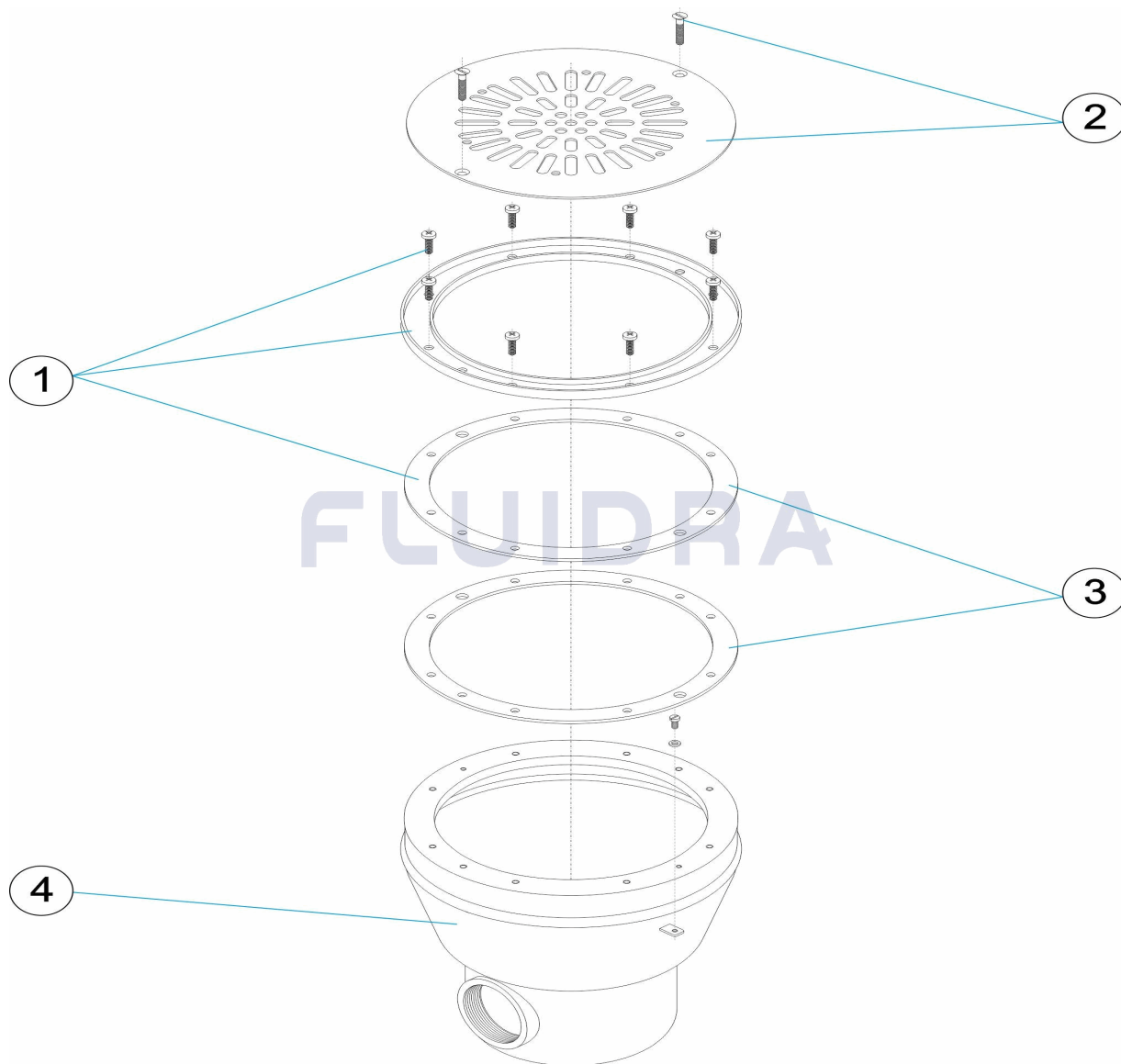


**FRANCAIS**

| POS | CODE       | DESCRIPTION              | QUANTITE | POS | CODE       | DESCRIPTION         | QUANTITE |
|-----|------------|--------------------------|----------|-----|------------|---------------------|----------|
| 1   | 4402021501 | BRIDE BONDE DE FOND INOX |          | 3   | 4402021503 | JOINT PISCINE LINER |          |
| 2   | 4402021502 | GRILLE ACIER INOX. LINER |          | 4   | 00275R0100 | CORPS BONDE         |          |

CODE **00275**

DESCRIPTION: **DRAIN 2"**

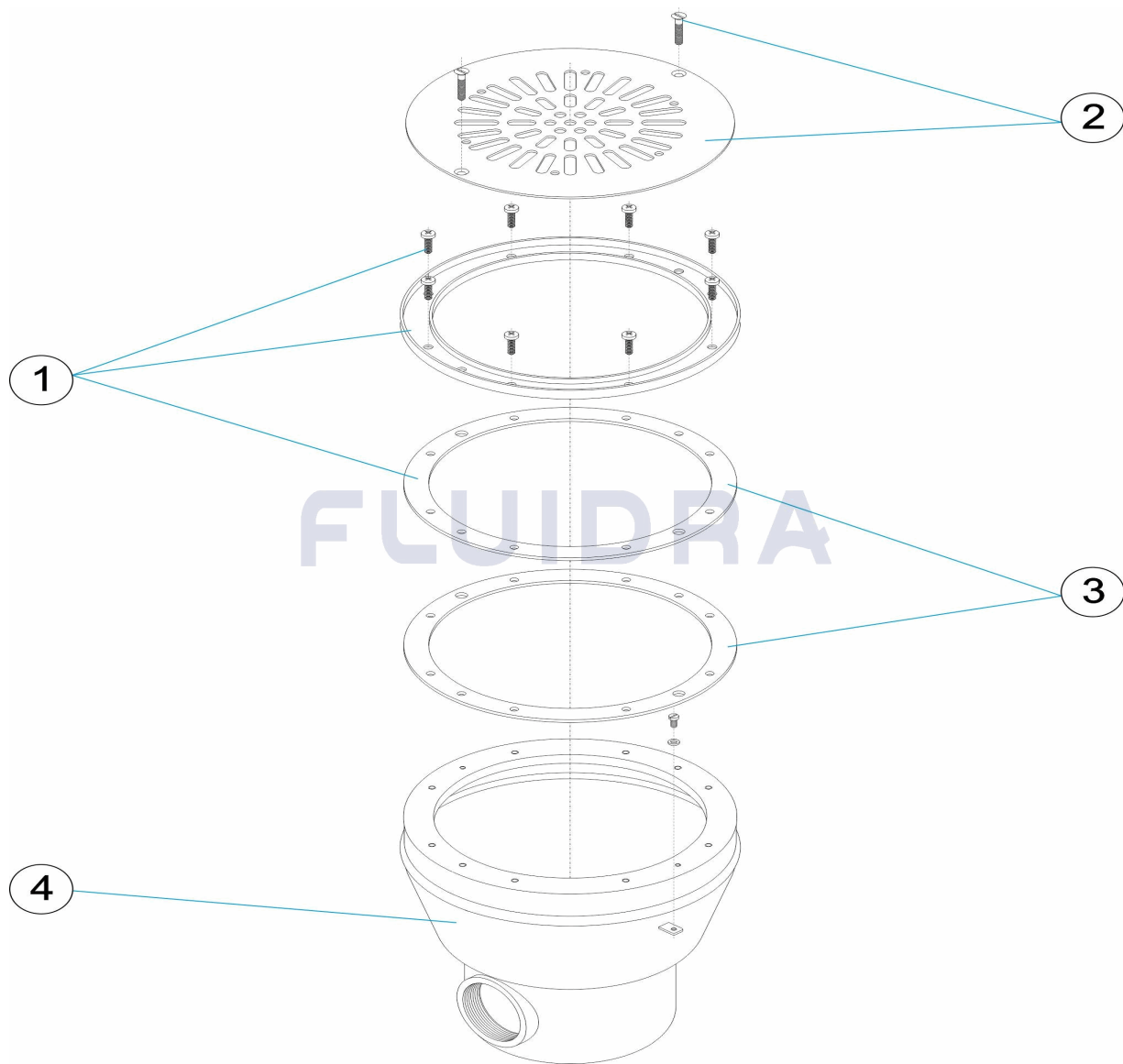


**ENGLISH**

| POS | CODE       | DESCRIPTION        | QUANTITY | POS | CODE       | DESCRIPTION       | QUANTITY |
|-----|------------|--------------------|----------|-----|------------|-------------------|----------|
| 1   | 4402021501 | S. S. DRAIN FLANGE |          | 3   | 4402021503 | LINER POOL GASKET |          |
| 2   | 4402021502 | S.S. GRILLE LINER  |          | 4   | 00275R0100 | DRAIN BODY        |          |

CODICE **00275**

DESCRIZIONE: **SCOLATOIO 2"**

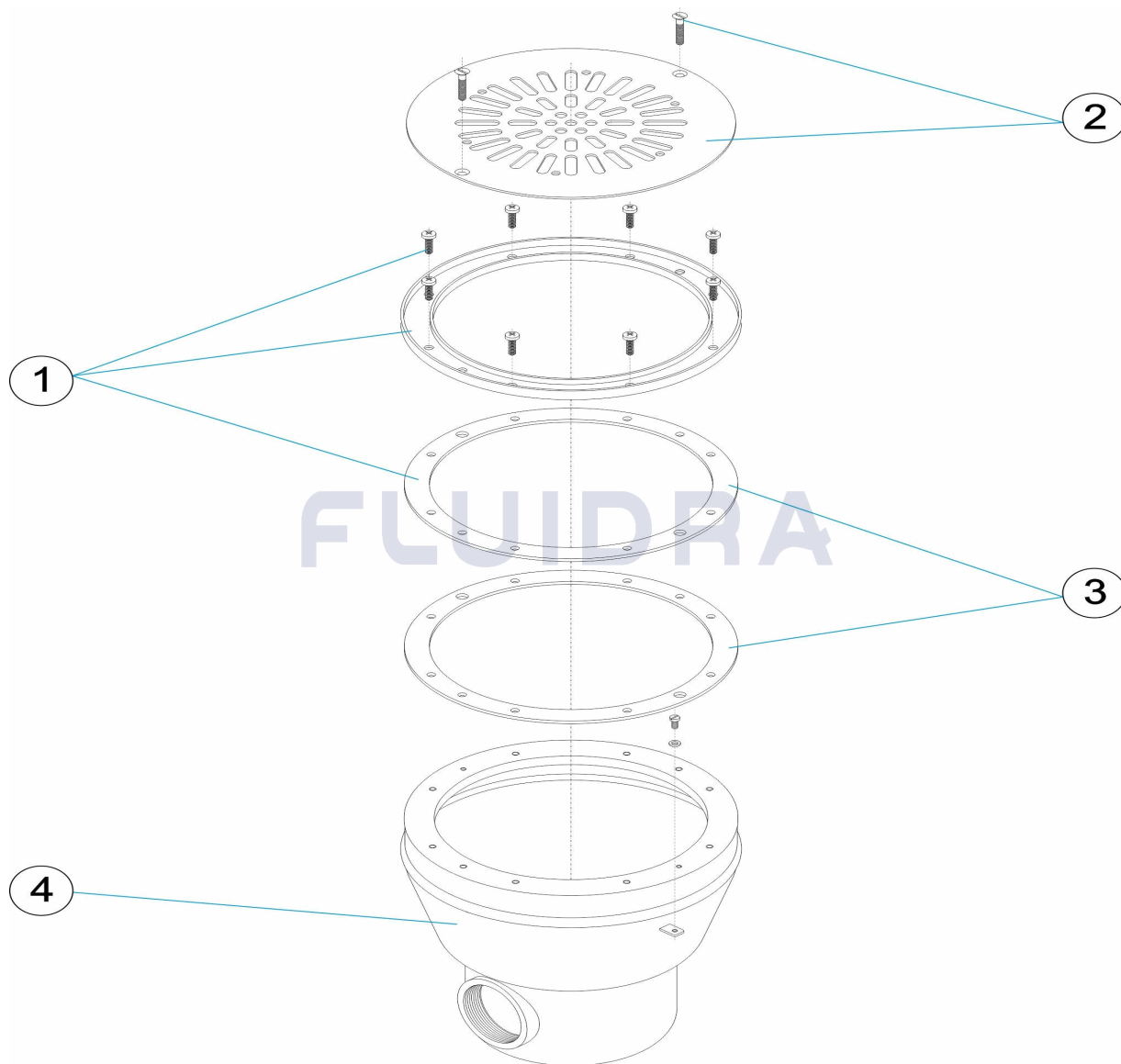


**ITALIANO**

| POS | CODICE     | DESCRIZIONE              | QUANTITA' | POS | CODICE     | DESCRIZIONE              | QUANTITA' |
|-----|------------|--------------------------|-----------|-----|------------|--------------------------|-----------|
| 1   | 4402021501 | FLANGIA INOX             |           | 3   | 4402021503 | GUARNIZIONE PISCINA PREF |           |
| 2   | 4402021502 | GRIGLIA INOX PISC. PREF. |           | 4   | 00275R0100 | CORPO SCOLATOIO          |           |

CODE **00275**

BESCHREIBUNG: **ABFLUSS 2"**

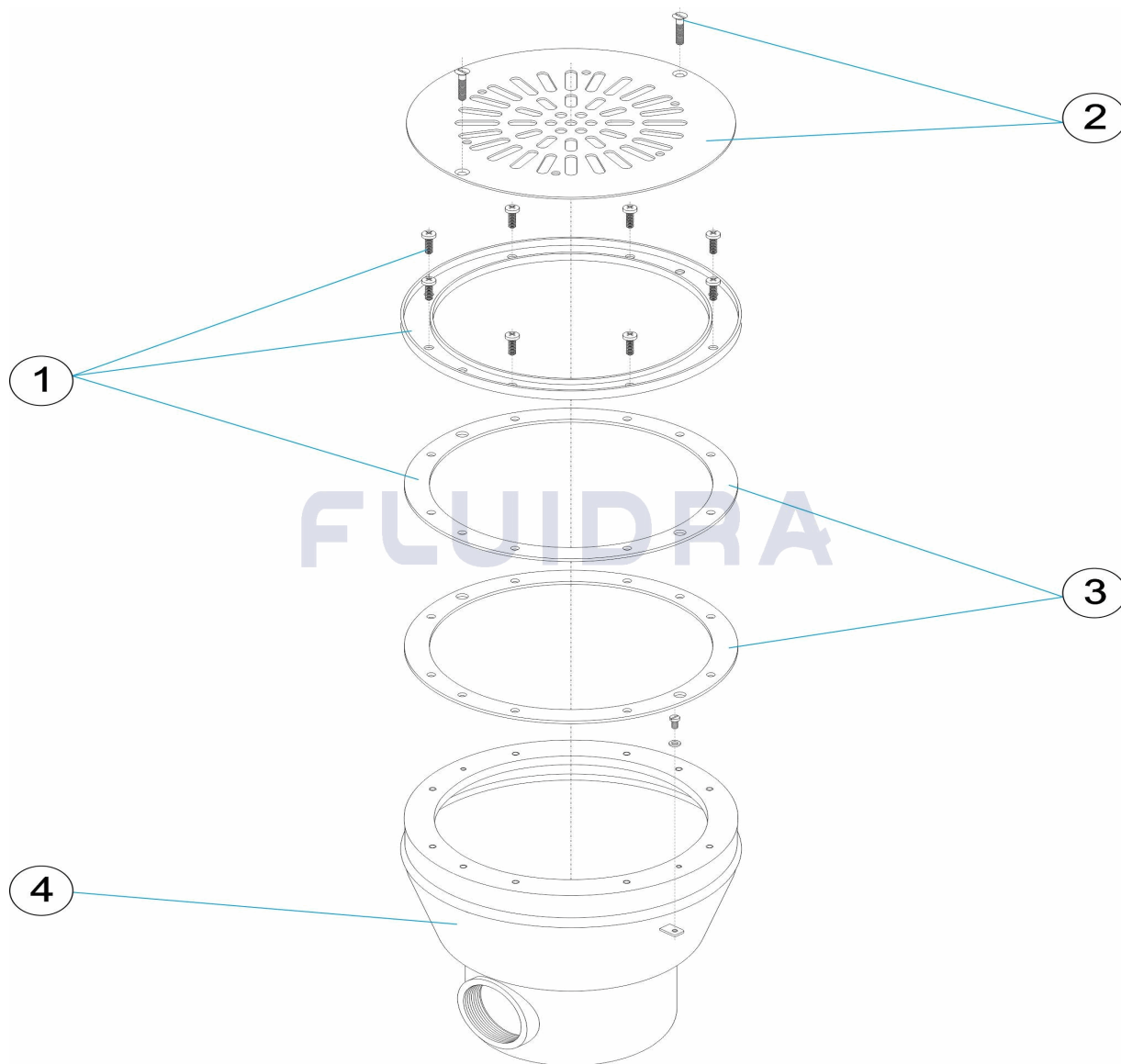


**DEUTSCH**

| POS | CODE       | BESCHREIBUNG                  | MENGE | POS | CODE       | BESCHREIBUNG          | MENGE |
|-----|------------|-------------------------------|-------|-----|------------|-----------------------|-------|
| 1   | 4402021501 | FLANSCH ABFLUSS EDELSTAHL     |       | 3   | 4402021503 | DICHTUNG FERTIGBECKEN |       |
| 2   | 4402021502 | GITTER EDELSTAHL FERTIGBECKEN |       | 4   | 00275R0100 | ABFLUSSGEHÄUSE        |       |

CODIGO **00275**

DESCRIÇÃO: **ESGOTO 2"**



**PORTUGUES**

| POS | CODIGO     | DESCRIÇÃO                 | JANTIDADE | POS | CODIGO     | DESCRIÇÃO                        | JANTIDADE |
|-----|------------|---------------------------|-----------|-----|------------|----------------------------------|-----------|
| 1   | 4402021501 | FLANGE RALO DE FUNDO INOX |           | 3   | 4402021503 | JUNTA RALO PISCINA PRÉ-FABRICADA |           |
| 2   | 4402021502 | GRELHA INOX PISC. PREF.   |           | 4   | 00275R0100 | CORPO ESGOTO                     |           |