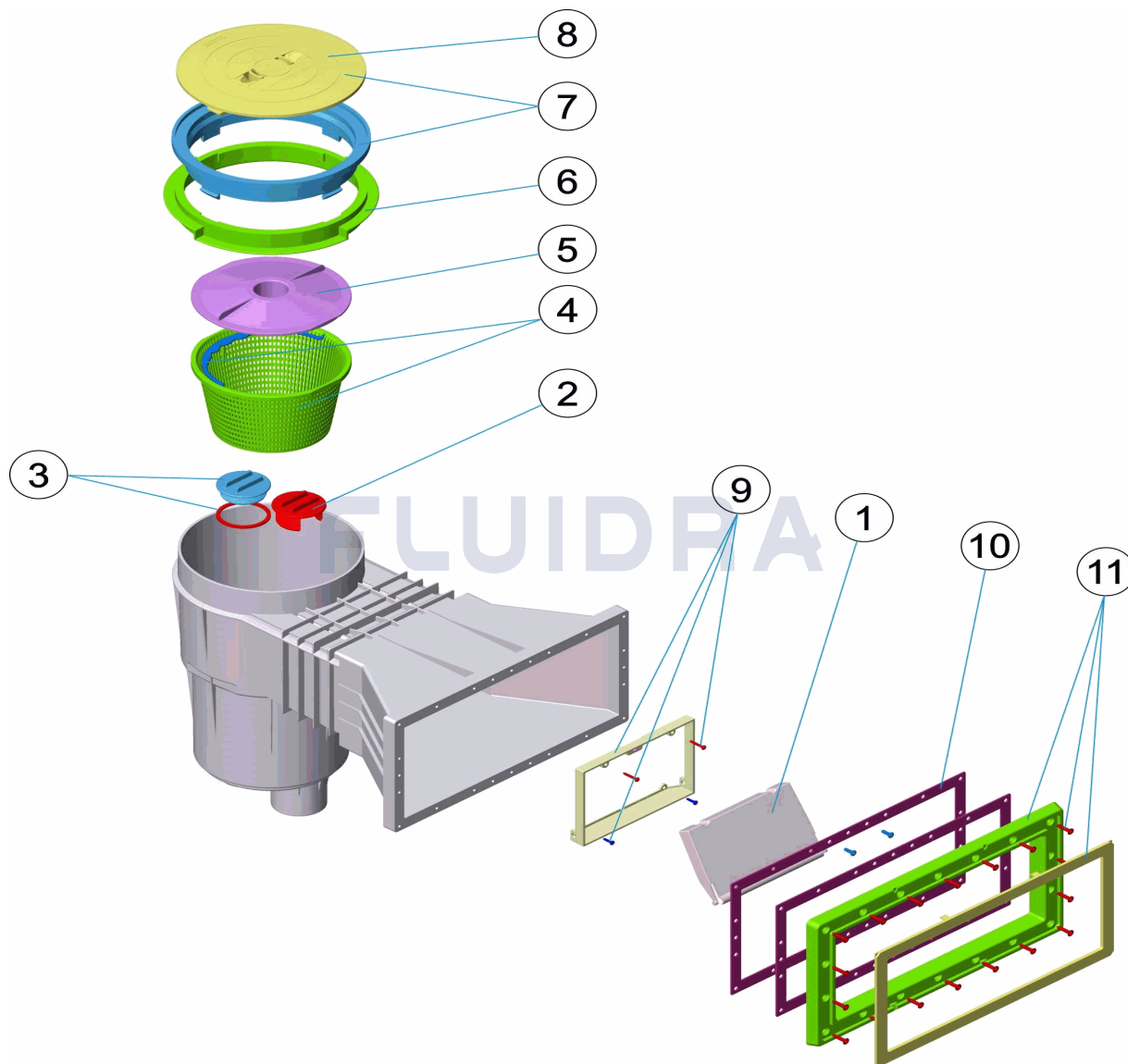


CODIGO **07876**

DESCRIPCION: **SKIMMER 17,5L PP B.ANCHA T. CIRCULAR AUTR.**

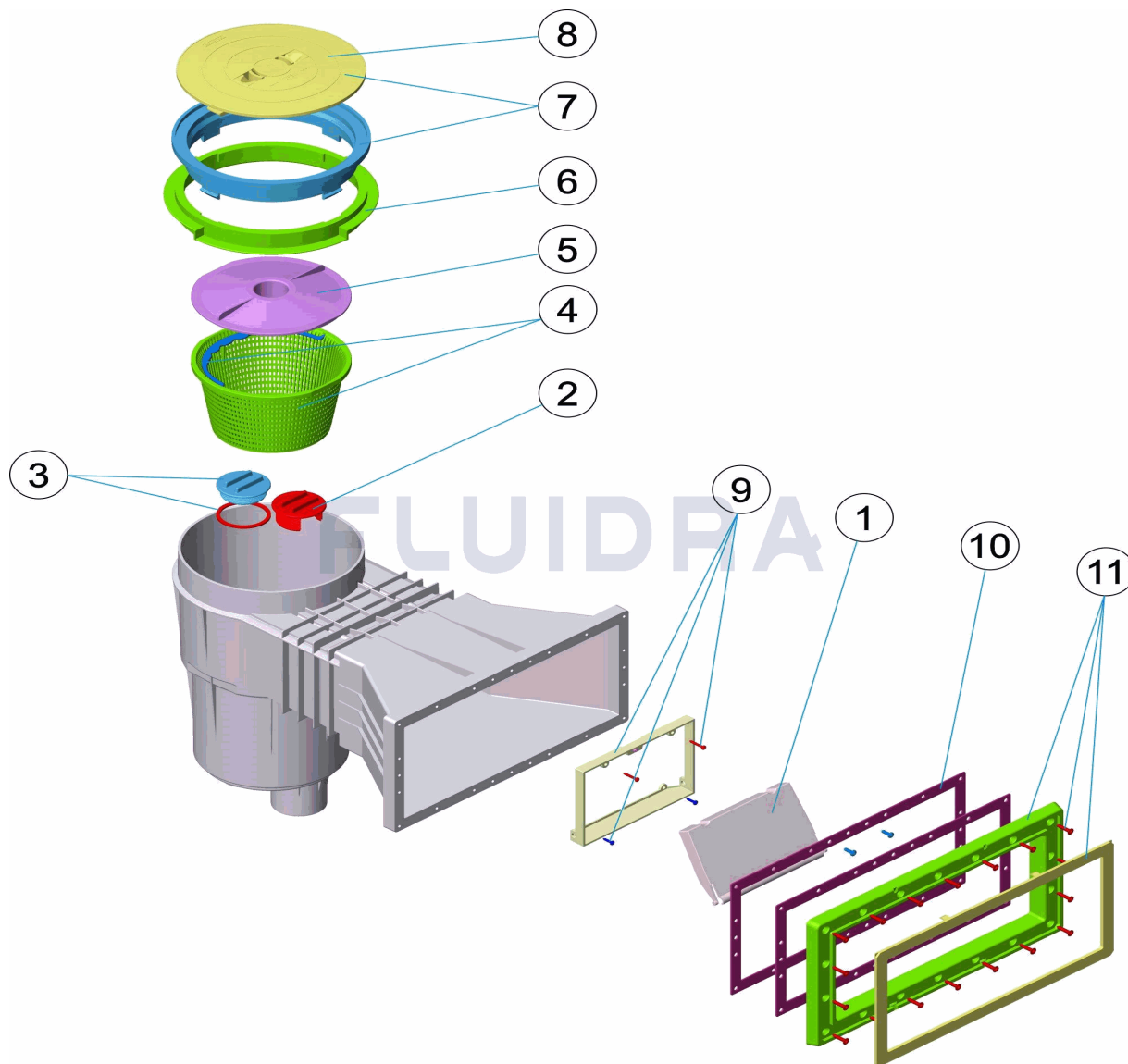


**ESPAÑOL**

POS	CODIGO	DESCRIPCION	CANTIDAD	POS	CODIGO	DESCRIPCION	CANTIDAD
1	4402010501	COMPUERTA SKIMMER CON CLIP		7	4402010507	ARO CON TAPA SKIMMER	
2	4402010502	TAPON REGULADOR		8	4402010509	TAPA SKIMMER	
3	4402010503	TAPON CON JUNTA		9	4402010508	MARCO COMPUERTA SKIMMER	
4	4402010504	CESTO SKIMMER 17,5 LTS.		10	4402010407	JUNTA SKIMMER GRANDE PISC. PREF.	
5	4402010505	TAPA CESTO SKIMMER		11	4402010412	MARCO BOCA SKIMMER PISC. PREF. (PARI	
6	4402010506	ANILLO DISTANCIADOR SKIMMER					

CODE 07876

DESCRIPTION: SKIMMER 17,5L PP O LARGE C. CIRCULAIRE AUTR.

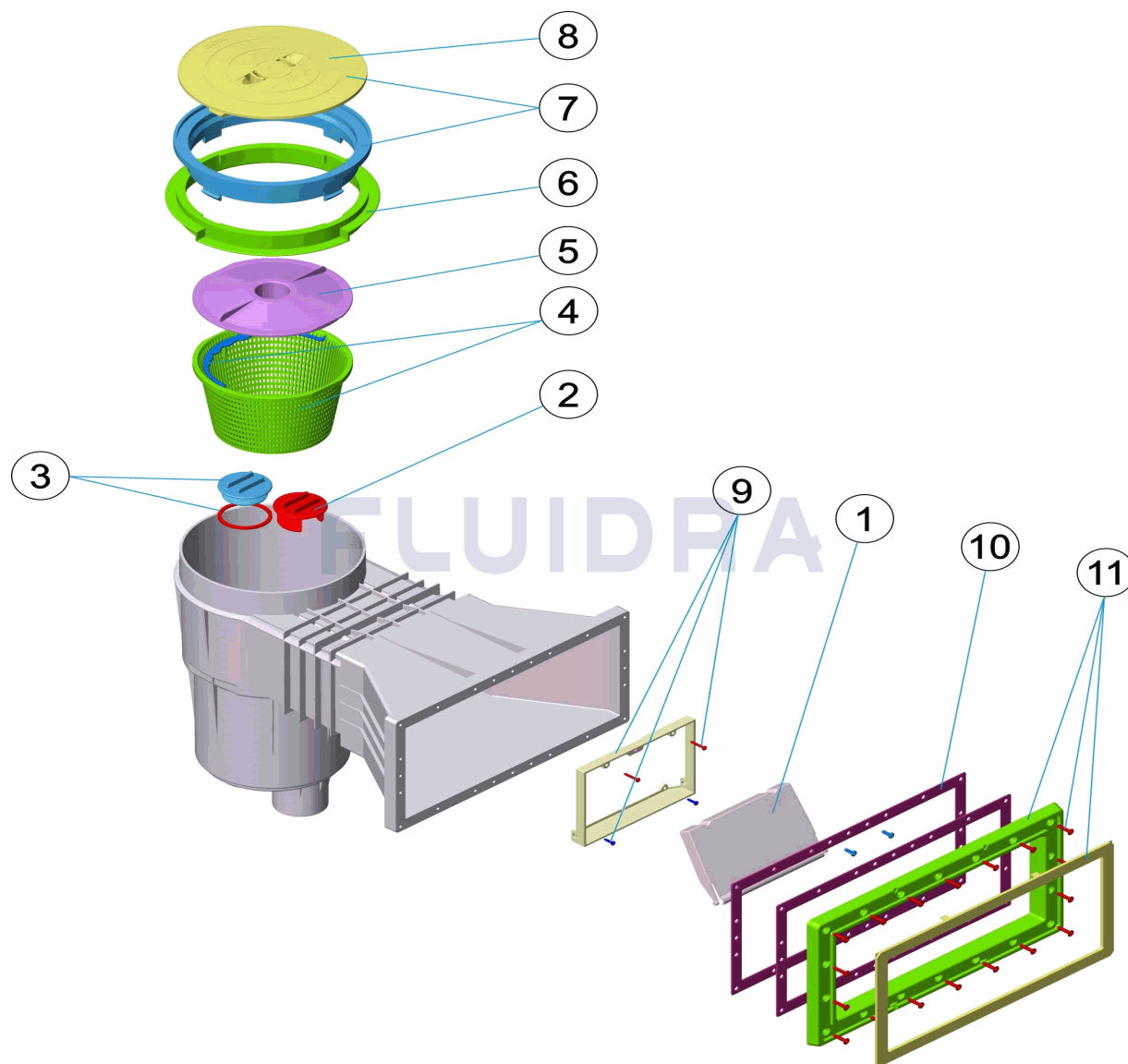


FRANCAIS

POS	CODE	DESCRIPTION	QUANTITE	POS	CODE	DESCRIPTION	QUANTITE
1	4402010501	VOLET DE SKIMMER		7	4402010507	COUVERCLE ET CADRE DE SKIMMER	
2	4402010502	BOUCHON REGULATEUR		8	4402010509	COUVERCLE ROND DE SKIMMER	
3	4402010503	BOUCHON SKIMMER AVEC JOINT		9	4402010508	CADRE VOLET SKIMMER	
4	4402010504	PANIER SKIMMER 17,5 LTS		10	4402010407	JOINT SKIM GRAND MOD PISCINE LINER	
5	4402010505	COUVERCLE PANIER SKIMMER		11	4402010412	BRIDE ET CACHE VIS KIT LINER (PARKER)	
6	4402010506	CADRE REHAUSSE COUVERCLE					

CODE 07876

DESCRIPTION: SKIMMER 17.5L PP WIDE MOUTH ROUND COVER THREAD-FORMING SCR

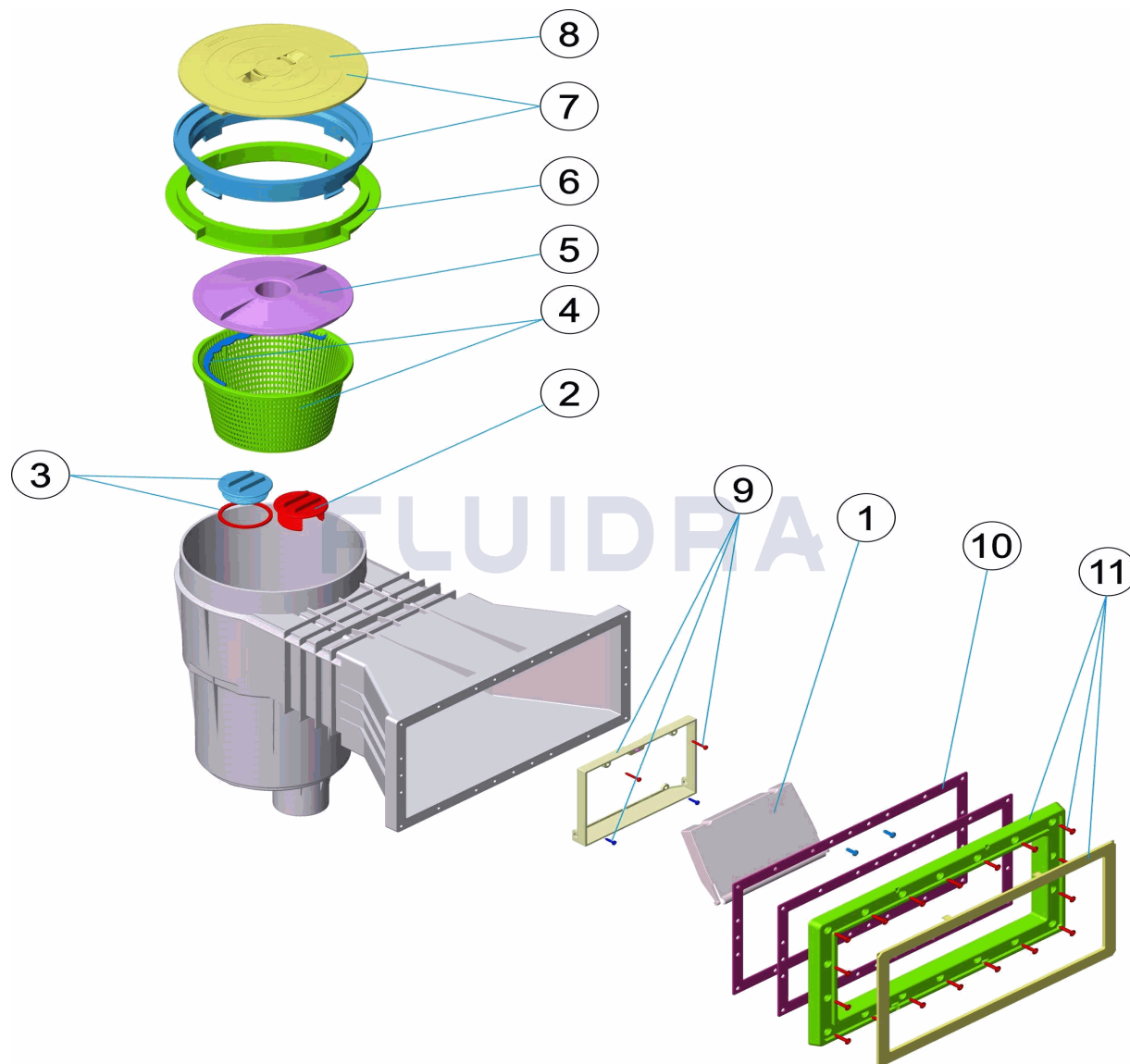


**ENGLISH**

POS	CODE	DESCRIPTION	QUANTITY	POS	CODE	DESCRIPTION	QUANTITY
1	4402010501	SKIMMER FLAP		7	4402010507	LID AND FRAME	
2	4402010502	REGULATING PLUG		8	4402010509	SKIMMER LID	
3	4402010503	BLANKING PLUG AND 'O' RING		9	4402010508	FLAP FRAME	
4	4402010504	BASKET 17,5 LITRES		10	4402010407	LARGE SKIMMER GASKETS FOR LINER	
5	4402010505	VACUUM PLATE		11	4402010412	SKIMMER FRAME FOR LINER (PARKER)	
6	4402010506	COLLAR EXTENSION RING					

CODICE 07876

DESCRIZIONE: SKIMMER 17,5L PP B. LARGA TAPPO CIRCOLARE AUTOFIL.

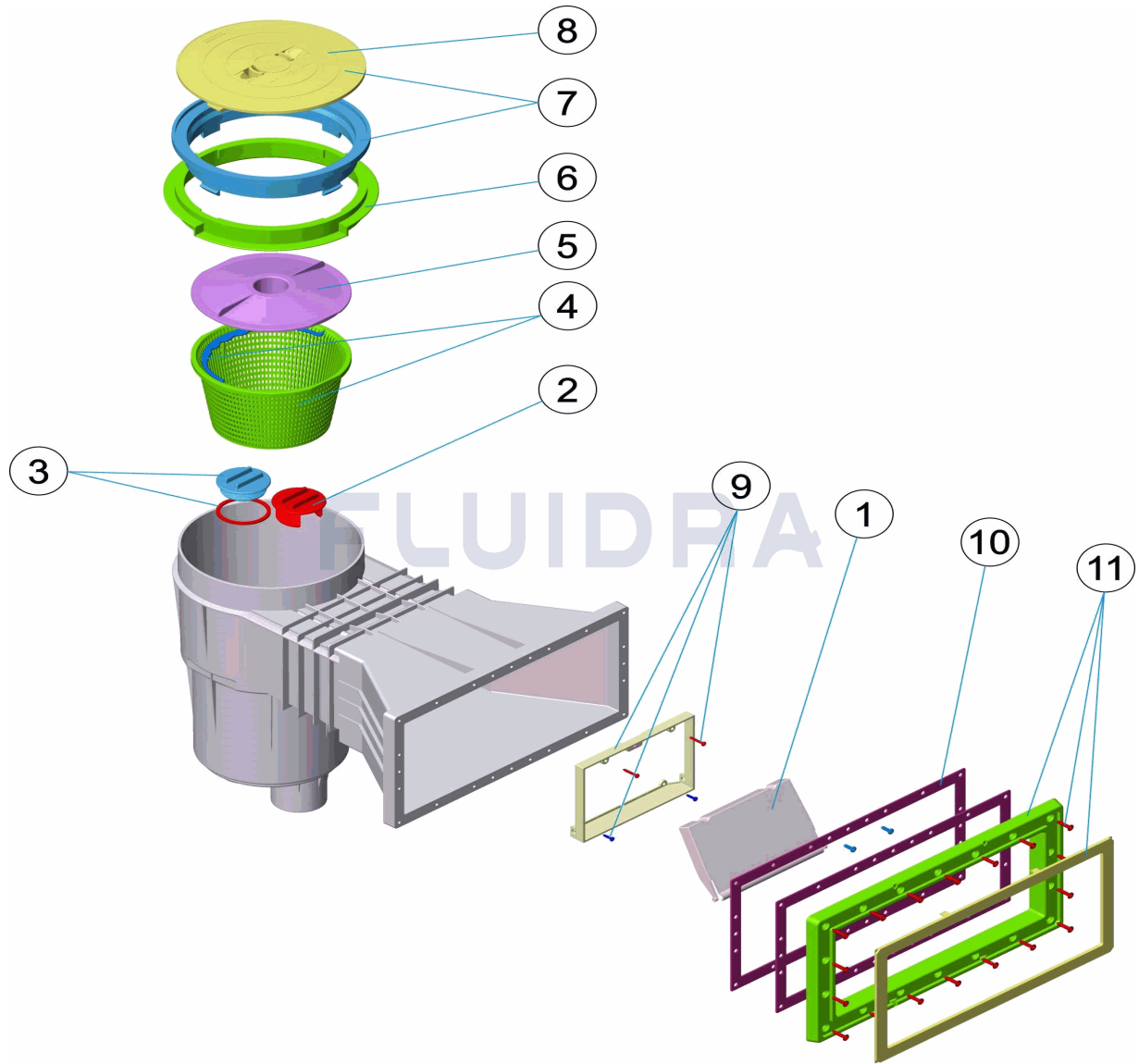


ITALIANO

POS	CODICE	DESCRIZIONE	QUANTITA'	POS	CODICE	DESCRIZIONE	QUANTITA'
1	4402010501	BATTENTE SKIMMER CON CLIP		7	4402010507	CORNICE CON COPERCHIO SKIMMER	
2	4402010502	TAPPO DI REGOLAZIONE		8	4402010509	COPERCHIO SKIMMER	
3	4402010503	TAPPO CON GUARNIZIONE		9	4402010508	CORNICE BATTENTE SKIMMER	
4	4402010504	CESTELLO SKIMMER DA 17,5 LITRI		10	4402010407	GUARNIZIONE PER SKIMMER BOCCA A V F	
5	4402010505	COPERCHIO CESTELLO SKIMMER		11	4402010412	FLANGIA BOCCA SKIMMER PER PISCINA IN	
6	4402010506	ANELLO DISTANZIATORE SKIMMER					

CODE **07876**

BESCHREIBUNG: **SKIMMER 17,5L PP EINLASS BREIT ABDECKUNG RUND SELBSTBOHRE**

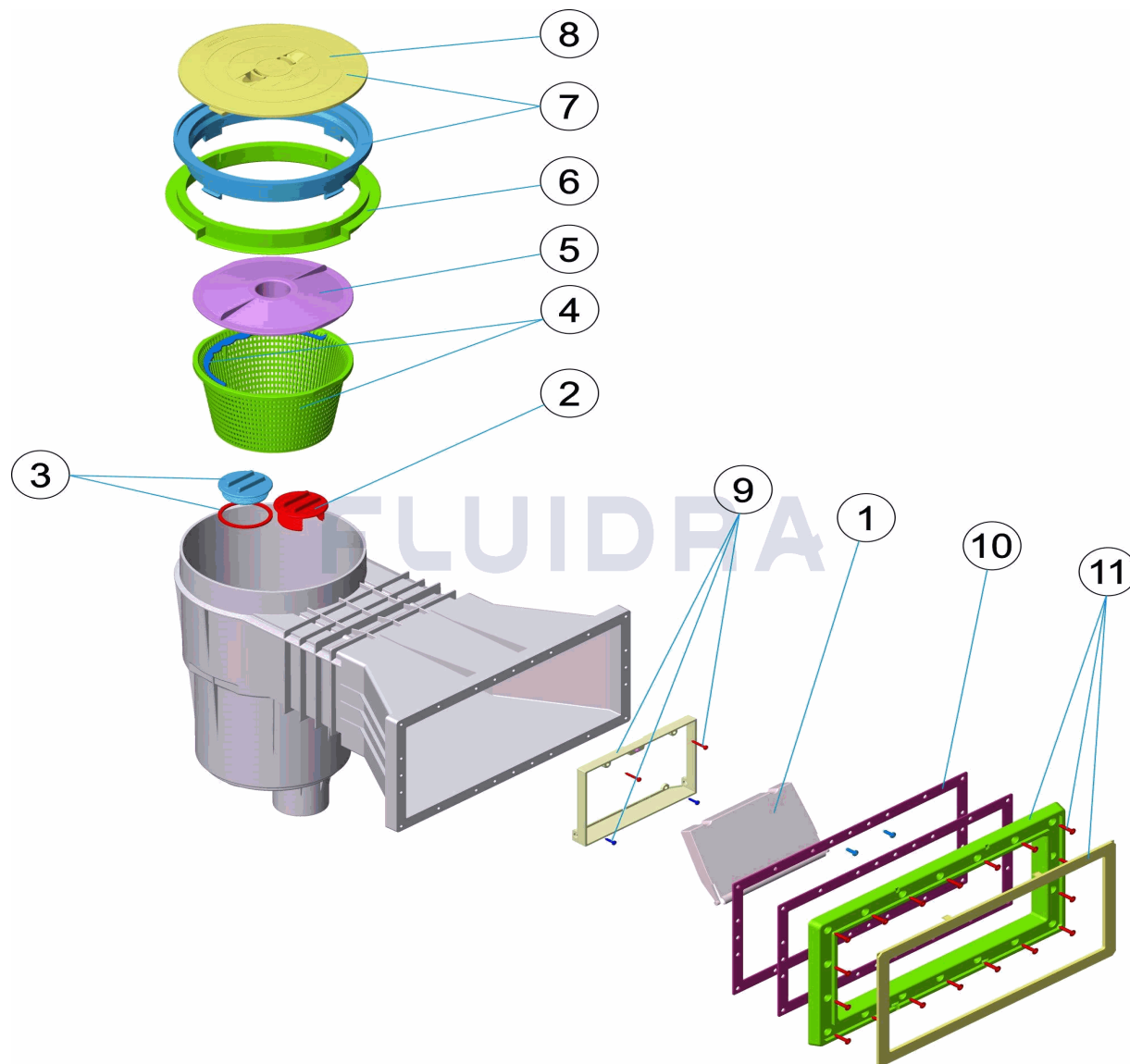


**DEUTSCH**

POS	CODE	BESCHREIBUNG	MENGE	POS	CODE	BESCHREIBUNG	MENGE
1	4402010501	SKIMMERKLAPPE MIT CLIP		7	4402010507	RING MIT SKIMMERDECKEL	
2	4402010502	STOPFEN REGULIERUNG		8	4402010509	SKIMMERDECKEL	
3	4402010503	STOPFEN UND DICHUNG		9	4402010508	RAHMEN SKIMMERKLAPPE	
4	4402010504	SKIMMERKORB 17,5 L		10	4402010407	DICHUNG SKIMMER GROSS FERTIGBECK	
5	4402010505	ABDECKUNG SKIMMKORB		11	4402010412	RAHMEN SKIMMEREINLASS FERTIGBECKE	
6	4402010506	DISTANZRING SKIMMER					

CODIGO **07876**

DESCRIÇÃO: **SKIMMER 17,5 L PP B. LARGA T. CIRCULAR AUTR.**



**PORTUGUES**

POS	CODIGO	DESCRIÇÃO	JANTIDADE	POS	CODIGO	DESCRIÇÃO	JANTIDADE
1	4402010501	COMPORTA SKIMMER CLIP		7	4402010507	ARO COM TAMPA SKIMMER	
2	4402010502	TAMPA REGULADORA		8	4402010509	TAMPA SKIMMER	
3	4402010503	TAMPA COM JUNTA		9	4402010508	CAIXILHO COMPORTA SKIMMER	
4	4402010504	CESTO SKIMMER 17,5 LTS		10	4402010407	JUNTA GRANDE DE SKIMMER	
5	4402010505	TAMPA CESTO SKIMMER		11	4402010412	CAIXILHO BOCA SKIMMER (PARKER)	
6	4402010506	ANEL DISTANCIADOR SKIMMER					