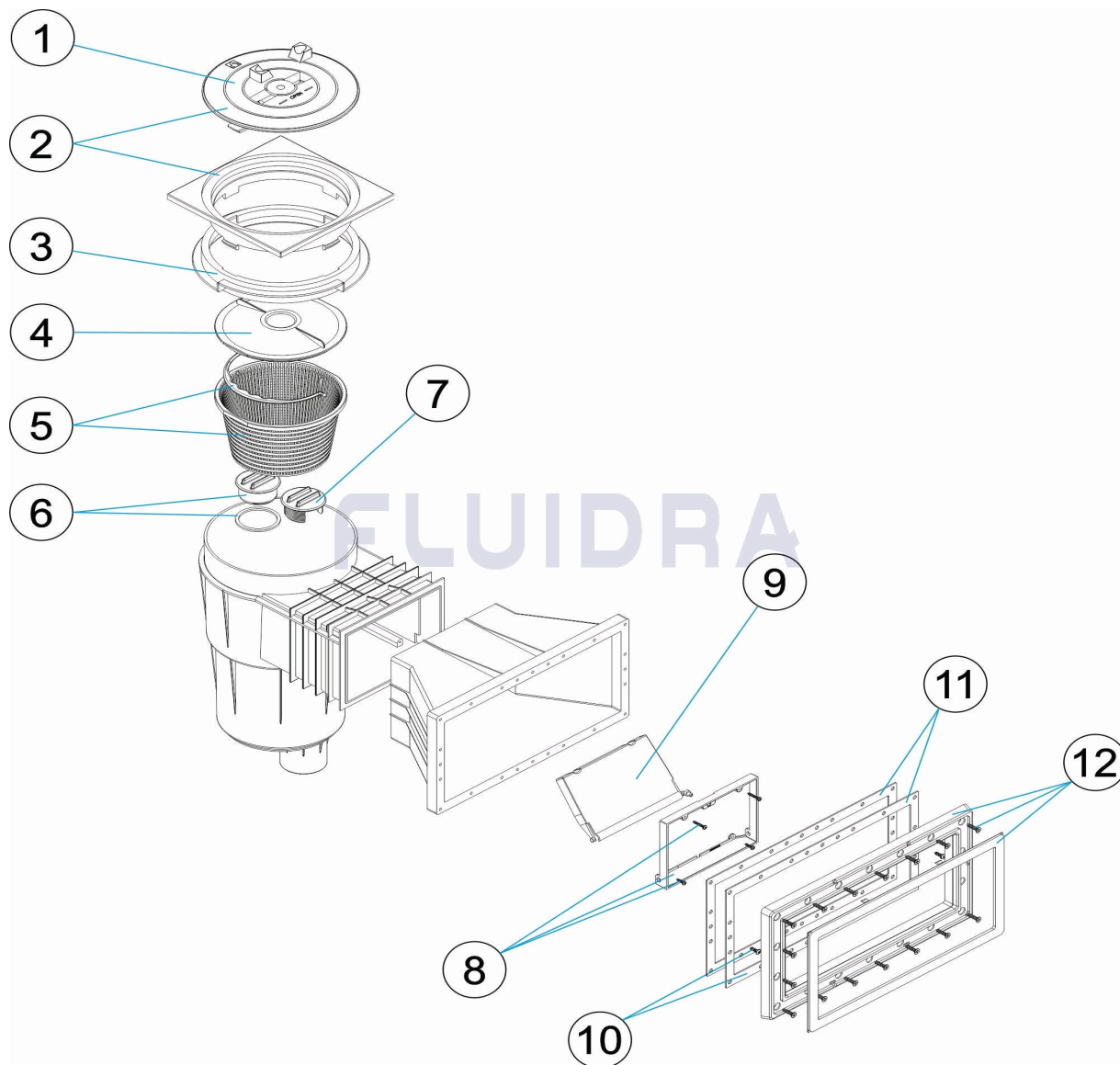


CODIGO 11317, 11317CL090, 11317CL129, 11317CL144

DESCRIPCION: SKIMMER 17,5L PP B.ANCHA T.CUADRADA AUTR.



ESPAÑOL

POS	CODIGO	DESCRIPCION	CANTIDAD	POS	CODIGO	DESCRIPCION	CANTIDAD
1	* 4402010509	TAPA SKIMMER		7	4402010502	TAPON REGULADOR	
1	* 4402010064	TAPA SKIMMER		8	* 4402010508	MARCO COMPUERTA SKIMMER	
1	* 4402010066	TAPA SKIMMER		8	* 4402010119	MARCO COMPUERTA SKIMMER	
1	* 4402010041	TAPA SKIMMER		8	* 4402010120	MARCO COMPUERTA SKIMMER	
2	* 4402010510	MARCO CUADRADO Y TAPA		8	* 4402010042	MARCO COMPUERTA SKIMMER	
2	* 05280-0700CL090	MARCO CUADRADO Y TAPA		9	* 4402010501	COMPUERTA SKIMMER CON CLIP	
2	* 05280-0700CL129	MARCO CUADRADO Y TAPA		9	* 4402010076	COMPUERTA SKIMMER CON CLIP	
2	* 05280-0700CL144	MARCO CUADRADO Y TAPA		9	* 4402010079	COMPUERTA SKIMMER CON CLIP	
3	* 4402010506	ANILLO DISTANCIADOR SKIMMER		9	* 4402010080	COMPUERTA SKIMMER CON CLIP	
3	* 4402010073	ANILLO DISTANCIADOR SKIMMER		10	4402014101	JUNTA PISCINA PREFABRICADA	
3	* 4402010075	ANILLO DISTANCIADOR SKIMMER		11	4402010407	JUNTA SKIMMER GRANDE PISC. PREF.	
3	* 4402010039	ANILLO DISTANCIADOR 17,5L		12	* 4402010412	MARCO BOCA SKIMMER PISC. PREF. (PARI	
4	4402010505	TAPA CESTO SKIMMER		12	* 4402010133	MARCO BOCA SKIMMER PISC. PREF. (PARI	

*** NOTA OBSERVACIONES**

CODIGO 11317, 11317CL090, 11317CL129, 11317CL144

DESCRIPCION: SKIMMER 17,5L PP B.ANCHA T.CUADRADA AUTR.

5	4402010504	CESTO SKIMMER 17,5 LTS.	12	* 4402010134	MARCO BOCA SKIMMER PISC. PREF. (PARI
6	4402010503	TAPON CON JUNTA	12	* 4402010135	MARCO BOCA SKIMMER PISC. PREF. (PARI

CODIGO 11317, 11317CL090, 11317CL129, 11317CL144

DESCRIPCION: SKIMMER 17,5L PP B.ANCHA T.CUADRADA AUTR.

OBSERVACIONES

POS	CODIGO	OBSERVACIONES
1	* 4402010509	PARA: 11317 WHITE
1	* 4402010064	PARA: 11317CL090 BEIGE
1	* 4402010066	PARA: 11317CL129 GREY
1	* 4402010041	PARA: 11317CL144 ANTHRACITE
2	* 4402010510	PARA: 11317 WHITE
2	* 05280-0700CL090	PARA: 11317CL090 BEIGE
2	* 05280-0700CL129	PARA: 11317CL129 GREY
2	* 05280-0700CL144	PARA: 11317CL144 ANTHRACITE
3	* 4402010506	PARA: 11317 WHITE
3	* 4402010073	PARA: 11317CL090 BEIGE
3	* 4402010075	PARA: 11317CL129 GREY
3	* 4402010039	PARA: 11317CL144 ANTHRACITE
8	* 4402010508	PARA: 11317 WHITE
8	* 4402010119	PARA: 11317CL090 BEIGE
8	* 4402010120	PARA: 11317CL129 GREY
8	* 4402010042	PARA: 11317CL144 ANTHRACITE
9	* 4402010501	PARA: 11317 WHITE
9	* 4402010076	PARA: 11317CL090 BEIGE
9	* 4402010079	PARA: 11317CL129 GREY
9	* 4402010080	PARA: 11317CL144 ANTHRACITE
12	* 4402010412	PARA: 11317 WHITE
12	* 4402010133	PARA: 11317CL090 BEIGE
12	* 4402010134	PARA: 11317CL129 GREY
12	* 4402010135	PARA: 11317CL144 ANTHRACITE

CODE **11317, 11317CL090, 11317CL129, 11317CL144**

DESCRIPTION: **SKIMMER 17,5L PP O. LARGE C. CARRÉ AUTR.**

5	4402010504	PANIER SKIMMER 17,5 LTS	12	* 4402010134	BRIDE ET CACHE VIS KIT LINER (PARKER)
6	4402010503	BOUCHON SKIMMER AVEC JOINT	12	* 4402010135	BRIDE ET CACHE VIS KIT LINER (PARKER)

CODE **11317, 11317CL090, 11317CL129, 11317CL144**

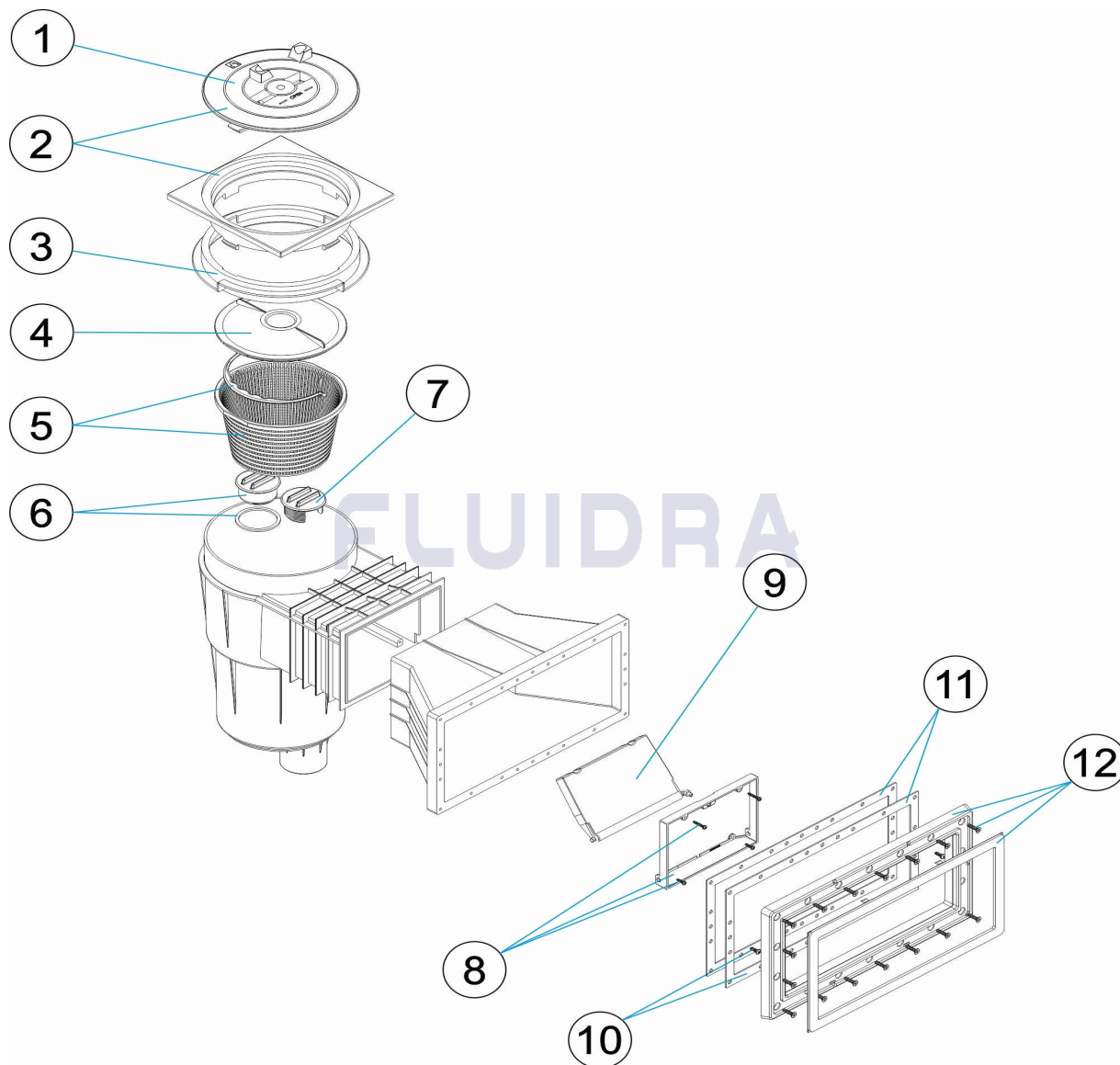
DESCRIPTION: **SKIMMER 17,5L PP O. LARGE C. CARRÉ AUTR.**

OBSERVATIONS

POS	CODE	OBSERVATIONS
1	* 4402010509	POUR: 11317 WHITE
1	* 4402010064	POUR: 11317CL090 BEIGE
1	* 4402010066	POUR: 11317CL129 GREY
1	* 4402010041	POUR: 11317CL144 ANTHRACITE
2	* 4402010510	POUR: 11317 WHITE
2	* 05280-0700CL090	POUR: 11317CL090 BEIGE
2	* 05280-0700CL129	POUR: 11317CL129 GREY
2	* 05280-0700CL144	POUR: 11317CL144 ANTHRACITE
3	* 4402010506	POUR: 11317 WHITE
3	* 4402010073	POUR: 11317CL090 BEIGE
3	* 4402010075	POUR: 11317CL129 GREY
3	* 4402010039	POUR: 11317CL144 ANTHRACITE
8	* 4402010508	POUR: 11317 WHITE
8	* 4402010119	POUR: 11317CL090 BEIGE
8	* 4402010120	POUR: 11317CL129 GREY
8	* 4402010042	POUR: 11317CL144 ANTHRACITE
9	* 4402010501	POUR: 11317 WHITE
9	* 4402010076	POUR: 11317CL090 BEIGE
9	* 4402010079	POUR: 11317CL129 GREY
9	* 4402010080	POUR: 11317CL144 ANTHRACITE
12	* 4402010412	POUR: 11317 WHITE
12	* 4402010133	POUR: 11317CL090 BEIGE
12	* 4402010134	POUR: 11317CL129 GREY
12	* 4402010135	POUR: 11317CL144 ANTHRACITE

CODE 11317, 11317CL090, 11317CL129, 11317CL144

DESCRIPTION: SKIMMER 17.5L PP WIDE MOUTH SQUARE COVER THREAD-FORMING SC



ENGLISH

POS	CODE	DESCRIPTION	QUANTITY	POS	CODE	DESCRIPTION	QUANTITY
1	* 4402010509	SKIMMER LID		7	4402010502	REGULATING PLUG	
1	* 4402010064	SKIMMER LID		8	* 4402010508	FLAP FRAME	
1	* 4402010066	SKIMMER LID		8	* 4402010119	FLAP FRAME	
1	* 4402010041	SKIMMER LID		8	* 4402010120	FLAP FRAME	
2	* 4402010510	SQUARE RIM AND LID		8	* 4402010042	FLAP FRAME	
2	* 05280-0700CL090	SQUARE RIM AND LID		9	* 4402010501	SKIMMER FLAP	
2	* 05280-0700CL129	SQUARE RIM AND LID		9	* 4402010076	SKIMMER FLAP	
2	* 05280-0700CL144	SQUARE RIM AND LID		9	* 4402010079	SKIMMER FLAP	
3	* 4402010506	COLLAR EXTENSION RING		9	* 4402010080	SKIMMER FLAP	
3	* 4402010073	COLLAR EXTENSION RING		10	4402014101	LINER POOL GASKET	
3	* 4402010075	COLLAR EXTENSION RING		11	4402010407	LARGE SKIMMER GASKETS FOR LINER	
3	* 4402010039	COLLAR EXTENSION RING		12	* 4402010412	SKIMMER FRAME FOR LINER (PARKER)	
4	4402010505	VACUUM PLATE		12	* 4402010133	SKIMMER FRAME FOR LINER (PARKER)	

* SEE OBSERVATIONS SHEET

CODE **11317, 11317CL090, 11317CL129, 11317CL144**

DESCRIPTION: **SKIMMER 17.5L PP WIDE MOUTH SQUARE COVER THREAD-FORMING SC**

5	4402010504	BASKET 17,5 LITRES	12	* 4402010134	SKIMMER FRAME FOR LINER (PARKER)
6	4402010503	BLANKING PLUG AND 'O' RING	12	* 4402010135	SKIMMER FRAME FOR LINER (PARKER)

CODE **11317, 11317CL090, 11317CL129, 11317CL144**

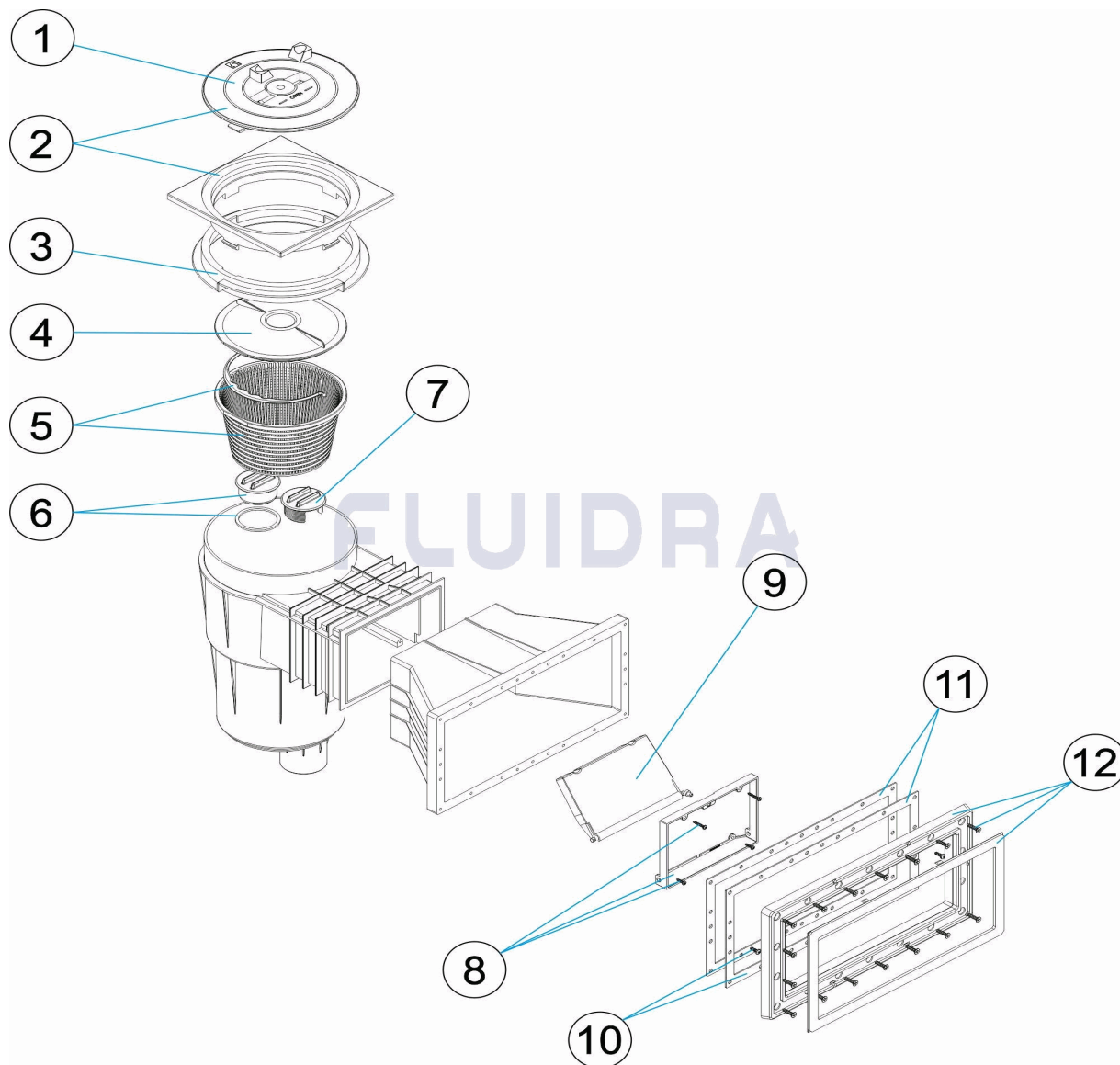
DESCRIPTION: **SKIMMER 17.5L PP WIDE MOUTH SQUARE COVER THREAD-FORMING SC**

OBSERVATIONS

POS	CODE	OBSERVATIONS
1	* 4402010509	FOR: 11317 WHITE
1	* 4402010064	FOR: 11317CL090 BEIGE
1	* 4402010066	FOR: 11317CL129 GREY
1	* 4402010041	FOR: 11317CL144 ANTHRACITE
2	* 4402010510	FOR: 11317 WHITE
2	* 05280-0700CL090	FOR: 11317CL090 BEIGE
2	* 05280-0700CL129	FOR: 11317CL129 GREY
2	* 05280-0700CL144	FOR: 11317CL144 ANTHRACITE
3	* 4402010506	FOR: 11317 WHITE
3	* 4402010073	FOR: 11317CL090 BEIGE
3	* 4402010075	FOR: 11317CL129 GREY
3	* 4402010039	FOR: 11317CL144 ANTHRACITE
8	* 4402010508	FOR: 11317 WHITE
8	* 4402010119	FOR: 11317CL090 BEIGE
8	* 4402010120	FOR: 11317CL129 GREY
8	* 4402010042	FOR: 11317CL144 ANTHRACITE
9	* 4402010501	FOR: 11317 WHITE
9	* 4402010076	FOR: 11317CL090 BEIGE
9	* 4402010079	FOR: 11317CL129 GREY
9	* 4402010080	FOR: 11317CL144 ANTHRACITE
12	* 4402010412	FOR: 11317 WHITE
12	* 4402010133	FOR: 11317CL090 BEIGE
12	* 4402010134	FOR: 11317CL129 GREY
12	* 4402010135	FOR: 11317CL144 ANTHRACITE

CODICE 11317, 11317CL090, 11317CL129, 11317CL144

DESCRIZIONE: SKIMMER 17,5L PP B. LARGA TAPPO QUADRATO AUTOFIL.



ITALIANO

POS	CODICE	DESCRIZIONE	QUANTITA'	POS	CODICE	DESCRIZIONE	QUANTITA'
1	* 4402010509	COPERCHIO SKIMMER		7	4402010502	TAPPO DI REGOLAZIONE	
1	* 4402010064	COPERCHIO SKIMMER		8	* 4402010508	CORNICE BATTENTE SKIMMER	
1	* 4402010066	COPERCHIO SKIMMER		8	* 4402010119	CORNICE BATTENTE SKIMMER	
1	* 4402010041	COPERCHIO SKIMMER		8	* 4402010120	CORNICE BATTENTE SKIMMER	
2	* 4402010510	FLANGIA QUADRATA E COPERCHIO		8	* 4402010042	CORNICE BATTENTE SKIMMER	
2	* 05280-0700CL090	FLANGIA QUADRATA E COPERCHIO		9	* 4402010501	BATTENTE SKIMMER CON CLIP	
2	* 05280-0700CL129	FLANGIA QUADRATA E COPERCHIO		9	* 4402010076	BATTENTE SKIMMER CON CLIP	
2	* 05280-0700CL144	FLANGIA QUADRATA E COPERCHIO		9	* 4402010079	BATTENTE SKIMMER CON CLIP	
3	* 4402010506	ANELLO DISTANZIATORE SKIMMER		9	* 4402010080	BATTENTE SKIMMER CON CLIP	
3	* 4402010073	ANELLO DISTANZIATORE SKIMMER		10	4402014101	GUARNIZIONE PISCINA PREF	
3	* 4402010075	ANELLO DISTANZIATORE SKIMMER		11	4402010407	GUARNIZIONE PER SKIMMER BOCCA A V P	
3	* 4402010039	ANELLO DISTANZIATORE SKIMMER		12	* 4402010412	FLANGIA BOCCA SKIMMER PER PISCINA IN	
4	4402010505	COPERCHIO CESTELLO SKIMMER		12	* 4402010133	FLANGIA BOCCA SKIMMER PER PISCINA IN	

* SI FACCIA RIFERIMENTO AL FOGLIO DELLE OSSERVAZIONI

CODICE **11317, 11317CL090, 11317CL129, 11317CL144**

DESCRIZIONE: **SKIMMER 17,5L PP B. LARGA TAPPO QUADRATO AUTOFIL.**

5	4402010504	CESTELLO SKIMMER DA 17,5 LITRI	12	* 4402010134	FLANGIA BOCCA SKIMMER PER PISCINA IN
6	4402010503	TAPPO CON GUARNIZIONE	12	* 4402010135	FLANGIA BOCCA SKIMMER PER PISCINA IN

CODICE **11317, 11317CL090, 11317CL129, 11317CL144**

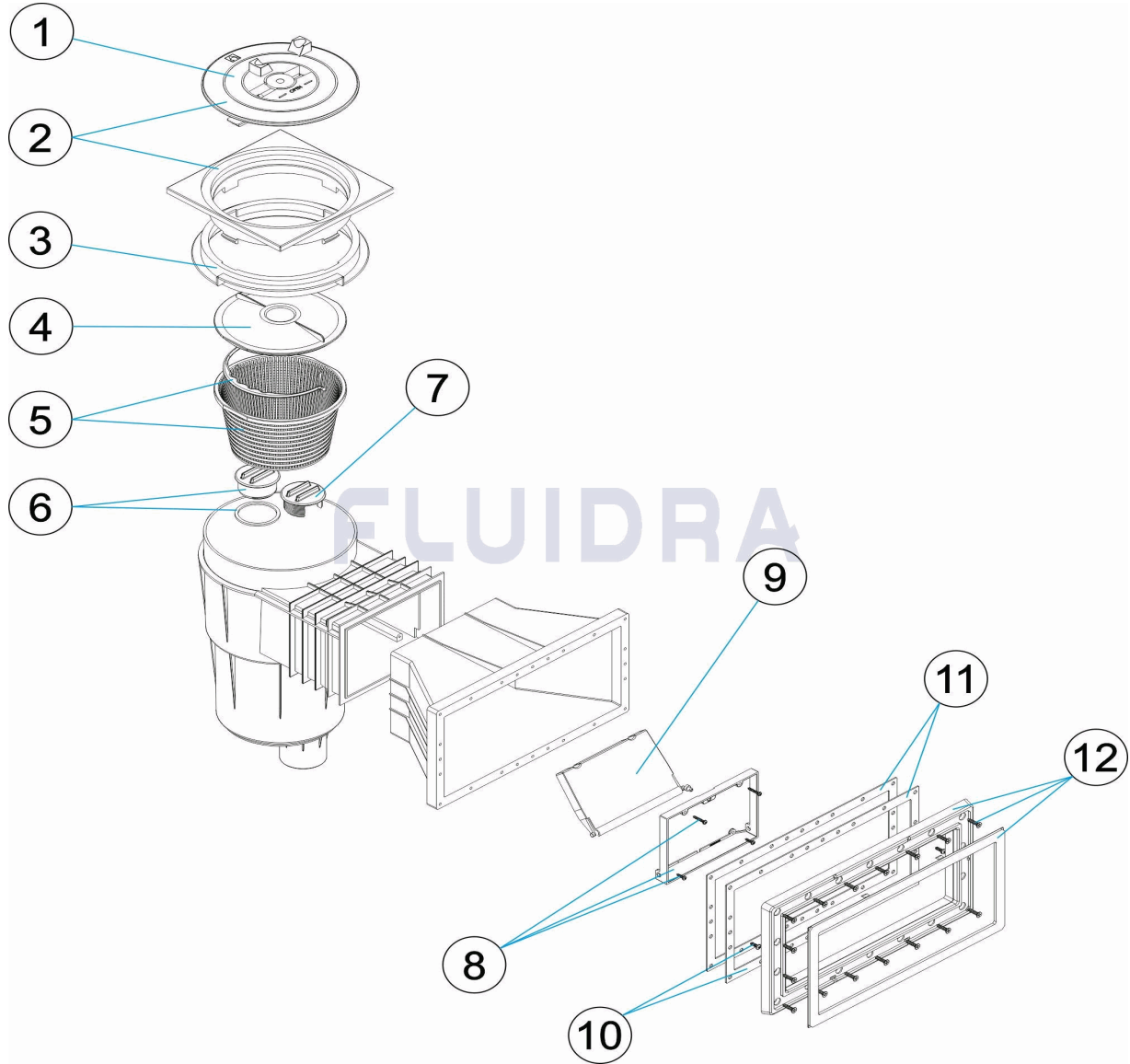
DESCRIZIONE: **SKIMMER 17,5L PP B. LARGA TAPPO QUADRATO AUTOFIL.**

OSSERVAZIONI

POS	CODICE	OSSERVAZIONI
1	* 4402010509	PER: 11317 WHITE
1	* 4402010064	PER: 11317CL090 BEIGE
1	* 4402010066	PER: 11317CL129 GREY
1	* 4402010041	PER: 11317CL144 ANTHRACITE
2	* 4402010510	PER: 11317 WHITE
2	* 05280-0700CL090	PER: 11317CL090 BEIGE
2	* 05280-0700CL129	PER: 11317CL129 GREY
2	* 05280-0700CL144	PER: 11317CL144 ANTHRACITE
3	* 4402010506	PER: 11317 WHITE
3	* 4402010073	PER: 11317CL090 BEIGE
3	* 4402010075	PER: 11317CL129 GREY
3	* 4402010039	PER: 11317CL144 ANTHRACITE
8	* 4402010508	PER: 11317 WHITE
8	* 4402010119	PER: 11317CL090 BEIGE
8	* 4402010120	PER: 11317CL129 GREY
8	* 4402010042	PER: 11317CL144 ANTHRACITE
9	* 4402010501	PER: 11317 WHITE
9	* 4402010076	PER: 11317CL090 BEIGE
9	* 4402010079	PER: 11317CL129 GREY
9	* 4402010080	PER: 11317CL144 ANTHRACITE
12	* 4402010412	PER: 11317 WHITE
12	* 4402010133	PER: 11317CL090 BEIGE
12	* 4402010134	PER: 11317CL129 GREY
12	* 4402010135	PER: 11317CL144 ANTHRACITE

CODE 11317, 11317CL090, 11317CL129, 11317CL144

BESCHREIBUNG: SKIMMER 17,5L PP EINLASS BREIT ABDECKUNG QUADRATISCH SELB



DEUTSCH

POS	CODE	BESCHREIBUNG	MENGE	POS	CODE	BESCHREIBUNG	MENGE
1	* 4402010509	SKIMMERDECKEL		7	4402010502	STOPFEN REGULIERUNG	
1	* 4402010064	SKIMMERDECKEL		8	* 4402010508	RAHMEN SKIMMERKLAPPE	
1	* 4402010066	SKIMMERDECKEL		8	* 4402010119	RAHMEN SKIMMERKLAPPE	
1	* 4402010041	SKIMMERDECKEL		8	* 4402010120	RAHMEN SKIMMERKLAPPE	
2	* 4402010510	QUADRATISCHER RAHMEN UND ABDECKL		8	* 4402010042	RAHMEN SKIMMERKLAPPE	
2	* 05280-0700CL090	QUADRATISCHER RAHMEN UND ABDECKL		9	* 4402010501	SKIMMERKLAPPE MIT CLIP	
2	* 05280-0700CL129	QUADRATISCHER RAHMEN UND ABDECKL		9	* 4402010076	SKIMMERKLAPPE MIT CLIP	
2	* 05280-0700CL144	QUADRATISCHER RAHMEN UND ABDECKL		9	* 4402010079	SKIMMERKLAPPE MIT CLIP	
3	* 4402010506	DISTANZRING SKIMMER		9	* 4402010080	SKIMMERKLAPPE MIT CLIP	
3	* 4402010073	DISTANZRING SKIMMER		10	4402014101	DICHTUNG FERTIGBECKEN	
3	* 4402010075	DISTANZRING SKIMMER		11	4402010407	DICHTUNG SKIMMER GROSS FERTIGBECK	
3	* 4402010039	DISTANZRING 17,5 L		12	* 4402010412	RAHMEN SKIMMEREINLASS FERTIGBECKE	
4	4402010505	ABDECKUNG SKIMMKORB		12	* 4402010133	RAHMEN SKIMMEREINLASS FERTIGBECKE	

CODE **11317, 11317CL090, 11317CL129, 11317CL144**

BESCHREIBUNG: **SKIMMER 17,5L PP EINLASS BREIT ABDECKUNG QUADRATISCH SELB**

5	4402010504	SKIMMERKORB 17,5 L	12	* 4402010134	RAHMEN SKIMMEREINLASS FERTIGBECKE
6	4402010503	STOPFEN UND DICHUNG	12	* 4402010135	RAHMEN SKIMMEREINLASS FERTIGBECKE

CODE **11317, 11317CL090, 11317CL129, 11317CL144**

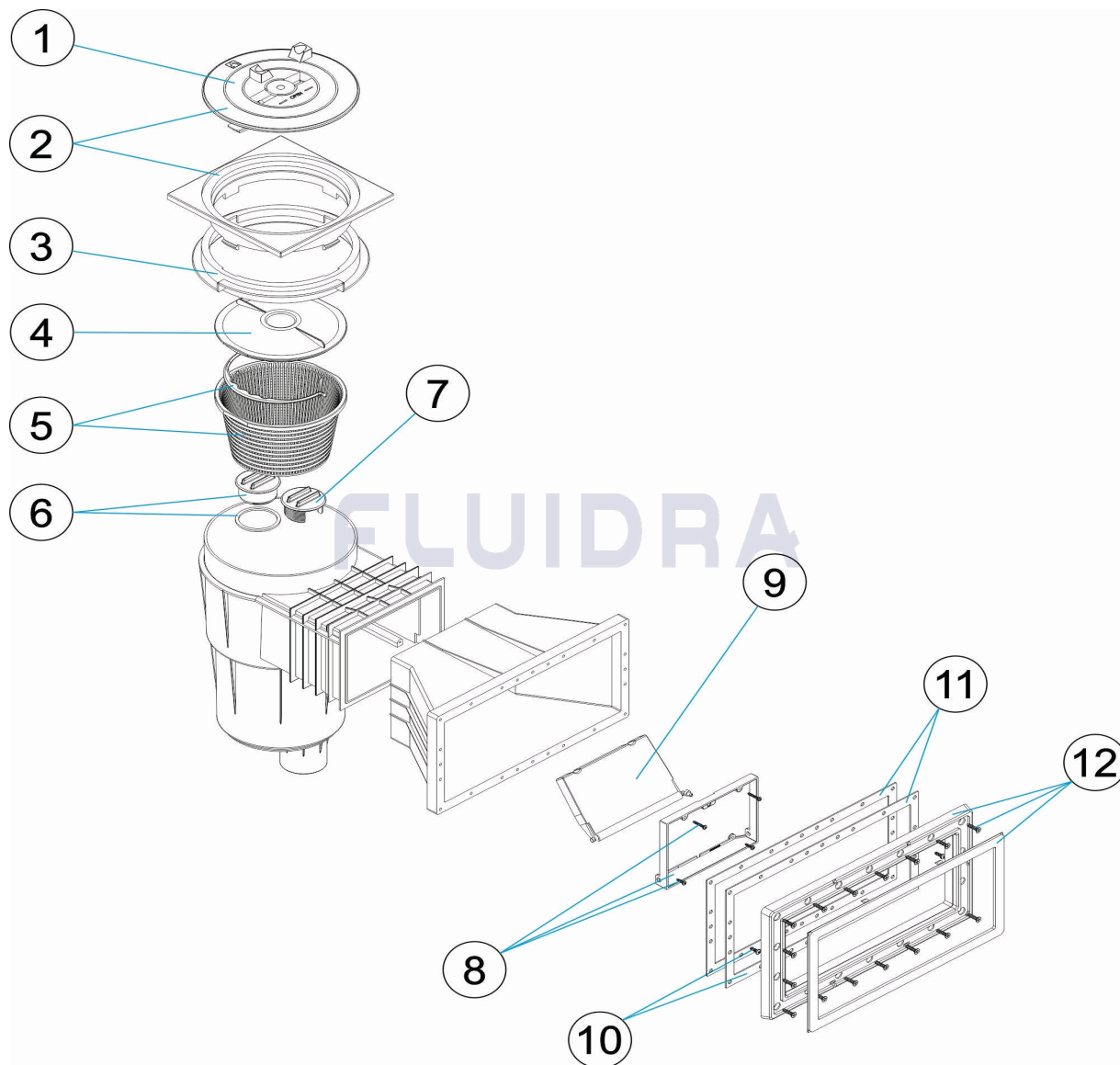
BESCHREIBUNG: **SKIMMER 17,5L PP EINLASS BREIT ABDECKUNG QUADRATISCH SELB**

HINWEISE

POS	CODE	HINWEISE
1	* 4402010509	FÜR: 11317 WHITE
1	* 4402010064	FÜR: 11317CL090 BEIGE
1	* 4402010066	FÜR: 11317CL129 GREY
1	* 4402010041	FÜR: 11317CL144 ANTHRACITE
2	* 4402010510	FÜR: 11317 WHITE
2	* 05280-0700CL090	FÜR: 11317CL090 BEIGE
2	* 05280-0700CL129	FÜR: 11317CL129 GREY
2	* 05280-0700CL144	FÜR: 11317CL144 ANTHRACITE
3	* 4402010506	FÜR: 11317 WHITE
3	* 4402010073	FÜR: 11317CL090 BEIGE
3	* 4402010075	FÜR: 11317CL129 GREY
3	* 4402010039	FÜR: 11317CL144 ANTHRACITE
8	* 4402010508	FÜR: 11317 WHITE
8	* 4402010119	FÜR: 11317CL090 BEIGE
8	* 4402010120	FÜR: 11317CL129 GREY
8	* 4402010042	FÜR: 11317CL144 ANTHRACITE
9	* 4402010501	FÜR: 11317 WHITE
9	* 4402010076	FÜR: 11317CL090 BEIGE
9	* 4402010079	FÜR: 11317CL129 GREY
9	* 4402010080	FÜR: 11317CL144 ANTHRACITE
12	* 4402010412	FÜR: 11317 WHITE
12	* 4402010133	FÜR: 11317CL090 BEIGE
12	* 4402010134	FÜR: 11317CL129 GREY
12	* 4402010135	FÜR: 11317CL144 ANTHRACITE

CODIGO 11317, 11317CL090, 11317CL129, 11317CL144

DESCRIÇÃO: SKIMMER 17,5 L PP B. LARGA T. QUADRADA AUTR.



PORTUGUES

POS	CODIGO	DESCRIÇÃO	JANTIDADE	POS	CODIGO	DESCRIÇÃO	JANTIDADE
1	* 4402010509	TAMPA SKIMMER		7	4402010502	TAMPA REGULADORA	
1	* 4402010064	TAMPA SKIMMER		8	* 4402010508	CAIXILHO COMPORTA SKIMMER	
1	* 4402010066	TAMPA SKIMMER		8	* 4402010119	CAIXILHO COMPORTA SKIMMER	
1	* 4402010041	TAMPA SKIMMER		8	* 4402010120	CAIXILHO COMPORTA SKIMMER	
2	* 4402010510	ARO QUADRADO E TAMPA		8	* 4402010042	CAIXILHO COMPORTA SKIMMER	
2	* 05280-0700CL090	ARO QUADRADO E TAMPA		9	* 4402010501	COMPORTA SKIMMER CLIP	
2	* 05280-0700CL129	ARO QUADRADO E TAMPA		9	* 4402010076	COMPORTA SKIMMER CLIP	
2	* 05280-0700CL144	ARO QUADRADO E TAMPA		9	* 4402010079	COMPORTA SKIMMER CLIP	
3	* 4402010506	ANEL DISTANCIADOR SKIMMER		9	* 4402010080	COMPORTA SKIMMER CLIP	
3	* 4402010073	ANEL DISTANCIADOR SKIMMER		10	4402014101	JUNTA RALO PISCINA PRÉ-FABRICADA	
3	* 4402010075	ANEL DISTANCIADOR SKIMMER		11	4402010407	JUNTA GRANDE DE SKIMMER	
3	* 4402010039	ANEL DISTANCIADOR SKIMMER		12	* 4402010412	CAIXILHO BOCA SKIMMER (PARKER)	
4	4402010505	TAMPA CESTO SKIMMER		12	* 4402010133	CAIXILHO BOCA SKIMMER (PARKER)	

CODIGO **11317, 11317CL090, 11317CL129, 11317CL144**

DESCRIÇÃO: SKIMMER 17,5 L PP B. LARGA T. QUADRADA AUTR.

5	4402010504	CESTO SKIMMER 17,5 LTS	12	* 4402010134	CAIXILHO BOCA SKIMMER (PARKER)
6	4402010503	TAMPA COM JUNTA	12	* 4402010135	CAIXILHO BOCA SKIMMER (PARKER)

CODIGO 11317, 11317CL090, 11317CL129, 11317CL144

DESCRIÇÃO: SKIMMER 17,5 L PP B. LARGA T. QUADRADA AUTR.

OBSERVAÇÕES

POS	CODIGO	OBSERVAÇÕES
1	* 4402010509	PARA: 11317 WHITE
1	* 4402010064	PARA: 11317CL090 BEIGE
1	* 4402010066	PARA: 11317CL129 GREY
1	* 4402010041	PARA: 11317CL144 ANTHRACITE
2	* 4402010510	PARA: 11317 WHITE
2	* 05280-0700CL090	PARA: 11317CL090 BEIGE
2	* 05280-0700CL129	PARA: 11317CL129 GREY
2	* 05280-0700CL144	PARA: 11317CL144 ANTHRACITE
3	* 4402010506	PARA: 11317 WHITE
3	* 4402010073	PARA: 11317CL090 BEIGE
3	* 4402010075	PARA: 11317CL129 GREY
3	* 4402010039	PARA: 11317CL144 ANTHRACITE
8	* 4402010508	PARA: 11317 WHITE
8	* 4402010119	PARA: 11317CL090 BEIGE
8	* 4402010120	PARA: 11317CL129 GREY
8	* 4402010042	PARA: 11317CL144 ANTHRACITE
9	* 4402010501	PARA: 11317 WHITE
9	* 4402010076	PARA: 11317CL090 BEIGE
9	* 4402010079	PARA: 11317CL129 GREY
9	* 4402010080	PARA: 11317CL144 ANTHRACITE
12	* 4402010412	PARA: 11317 WHITE
12	* 4402010133	PARA: 11317CL090 BEIGE
12	* 4402010134	PARA: 11317CL129 GREY
12	* 4402010135	PARA: 11317CL144 ANTHRACITE