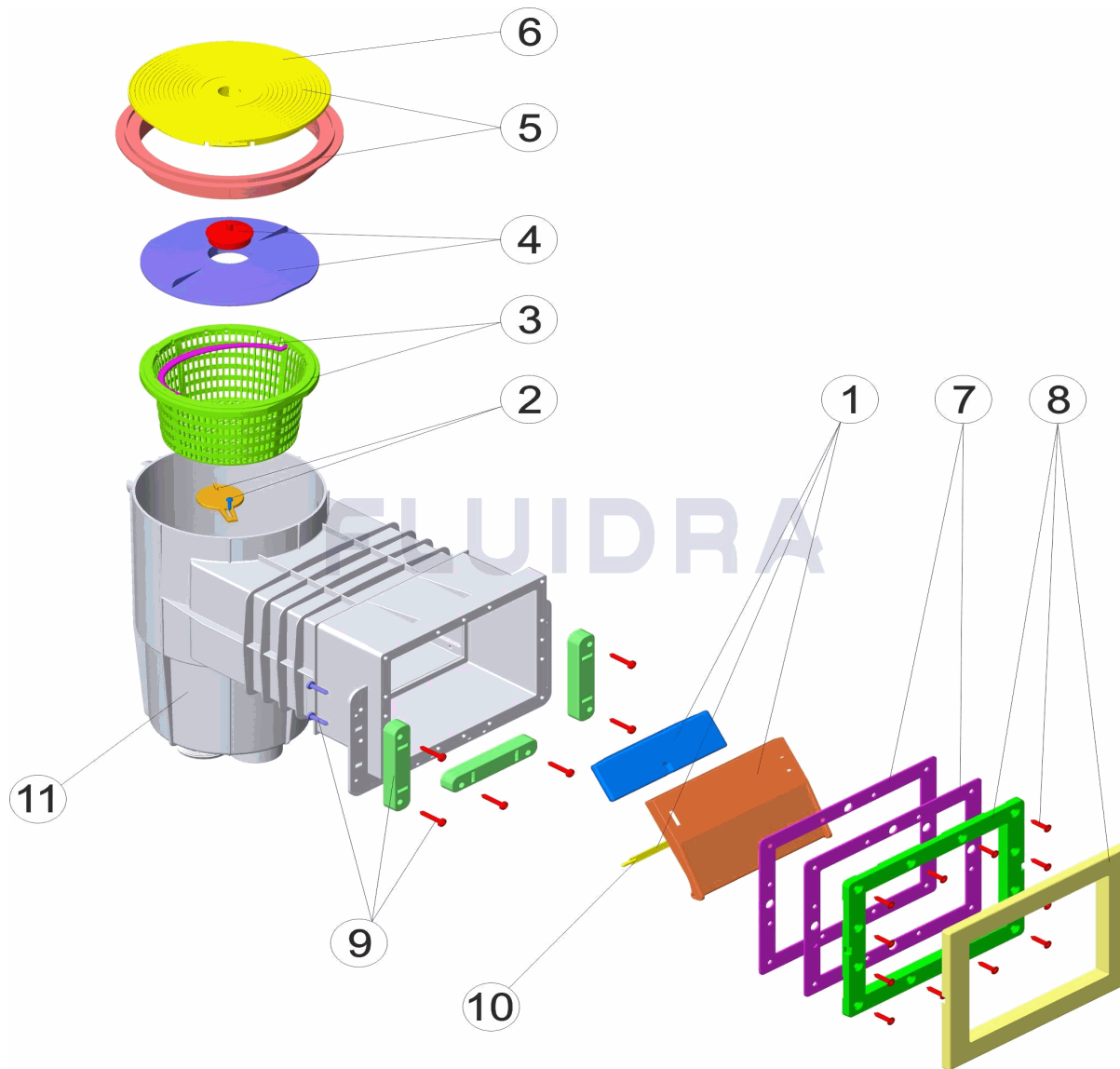


CODE 32376

DESCRIPTION: SKIMMER 15L P. PANNEAUX O. PET. C. CIRCULAIRE

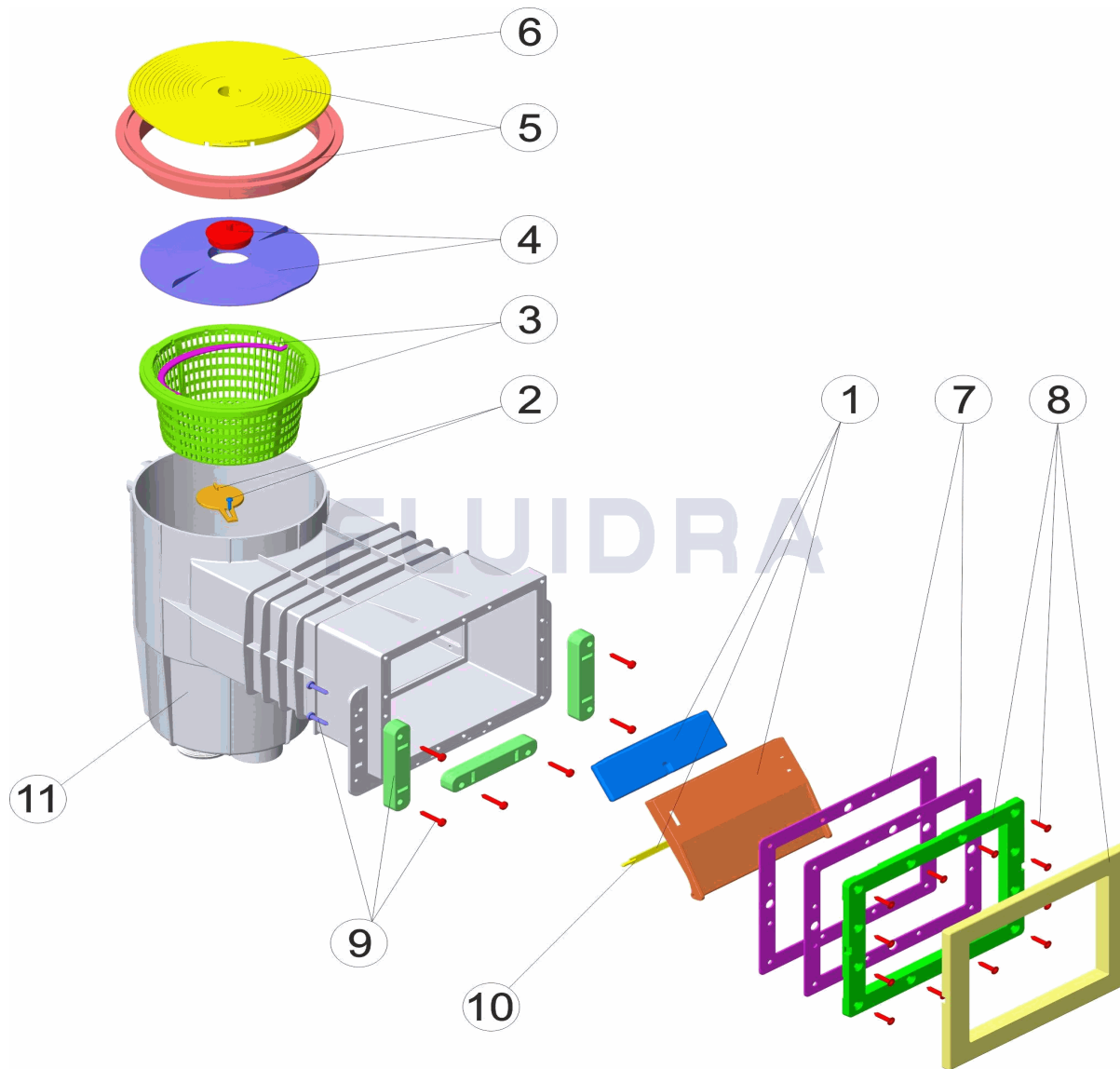


FRANCAIS

POS	CODE	DESCRIPTION	QUANTITE	POS	CODE	DESCRIPTION	QUANTITE
1	44020101	VOLET ET CHARNIERE SKIMMER		7	4402011611	JOINT SKIMMER PETIT P.P.	
2	44020102	CLAPET SKIMMER		8	4402011612	PETIT CADRE SKIMMER P.P.	
3	44020103	PANIER SKIMMER		9	4402011613	PLAQUE FIXATION BOUCHE SKIMMER	
4	44020104	COUVERCLE PANIER SKIMMER AVEC BOU		10	4402010110	CHARNIERE VOLET	
5	44020105	COUVERCLE ET CADRE ROND SKIMMER		11	32376R0100	ENS. CORPS 15L B. PETITE PANNEAUX	
6	44020108	COUVERCLE ROND SKIMMER					

CODE 32376

DESCRIPTION: SKIMMER 15L PANEL POOL SMALL MOUTH ROUND COVER

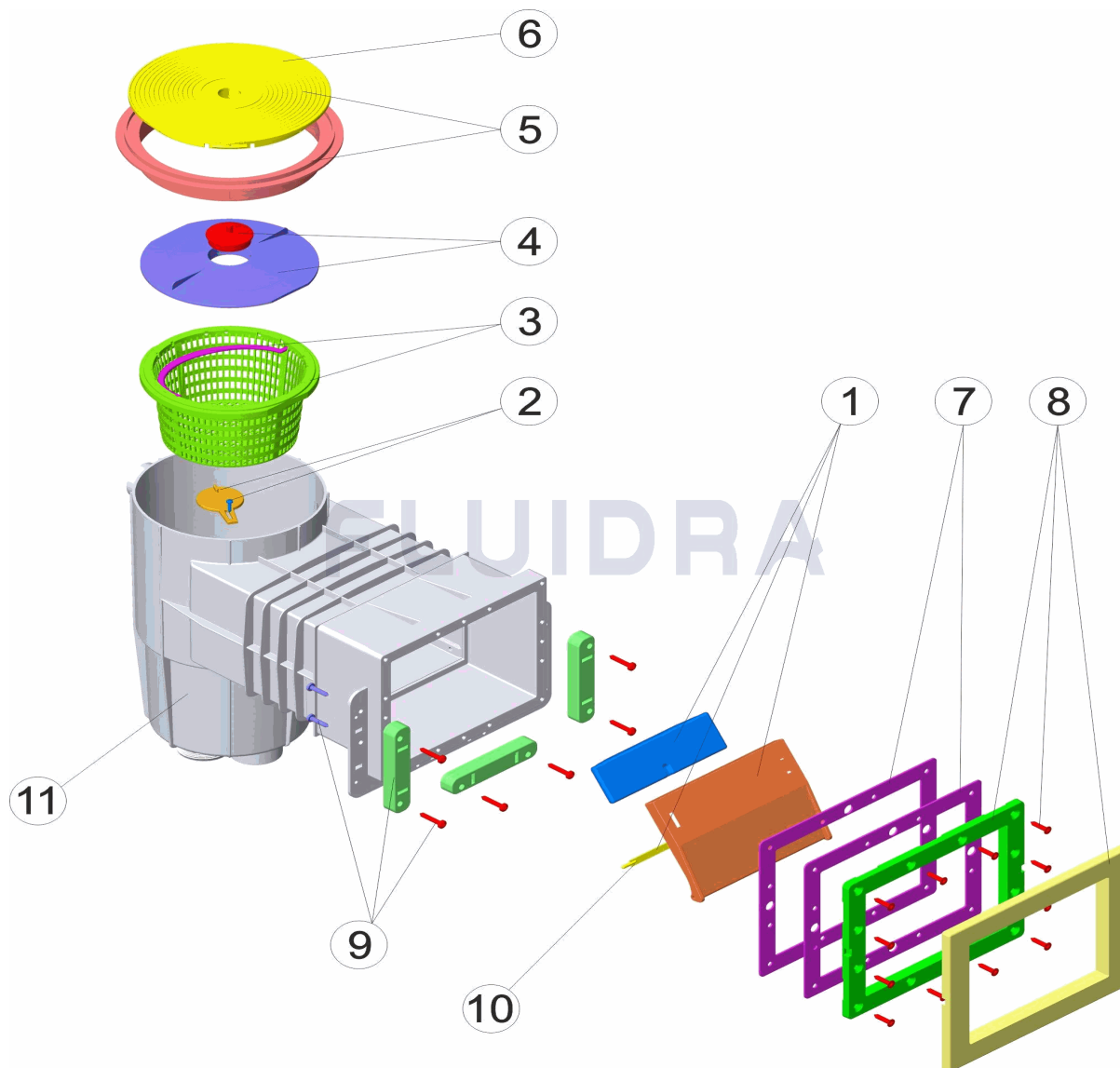


ENGLISH

POS	CODE	DESCRIPTION	QUANTITY	POS	CODE	DESCRIPTION	QUANTITY
1	44020101	FLAP RETAINING CLIP		7	4402011611	SMALL SKIMMER GASKETS P.P.	
2	44020102	KEYHOLE FLAP		8	4402011612	SMALL SKIMMER FRAME P.P.	
3	44020103	SKIMMER BASKET		9	4402011613	SPACERS	
4	44020104	VACUUM PLATE WITH PLUG		10	44020110	HINGE FLAP	
5	44020105	CIRCULAR LID AND LID FRAME		11	32376R0100	SMALL PANELS 15L BODY SET	
6	44020108	CIRCULAR SKIMMER LID					

CODICE 32376

DESCRIZIONE: SKIMMER 15L P. PANNELLI B. PIC. TAPPO CIRCOLARE

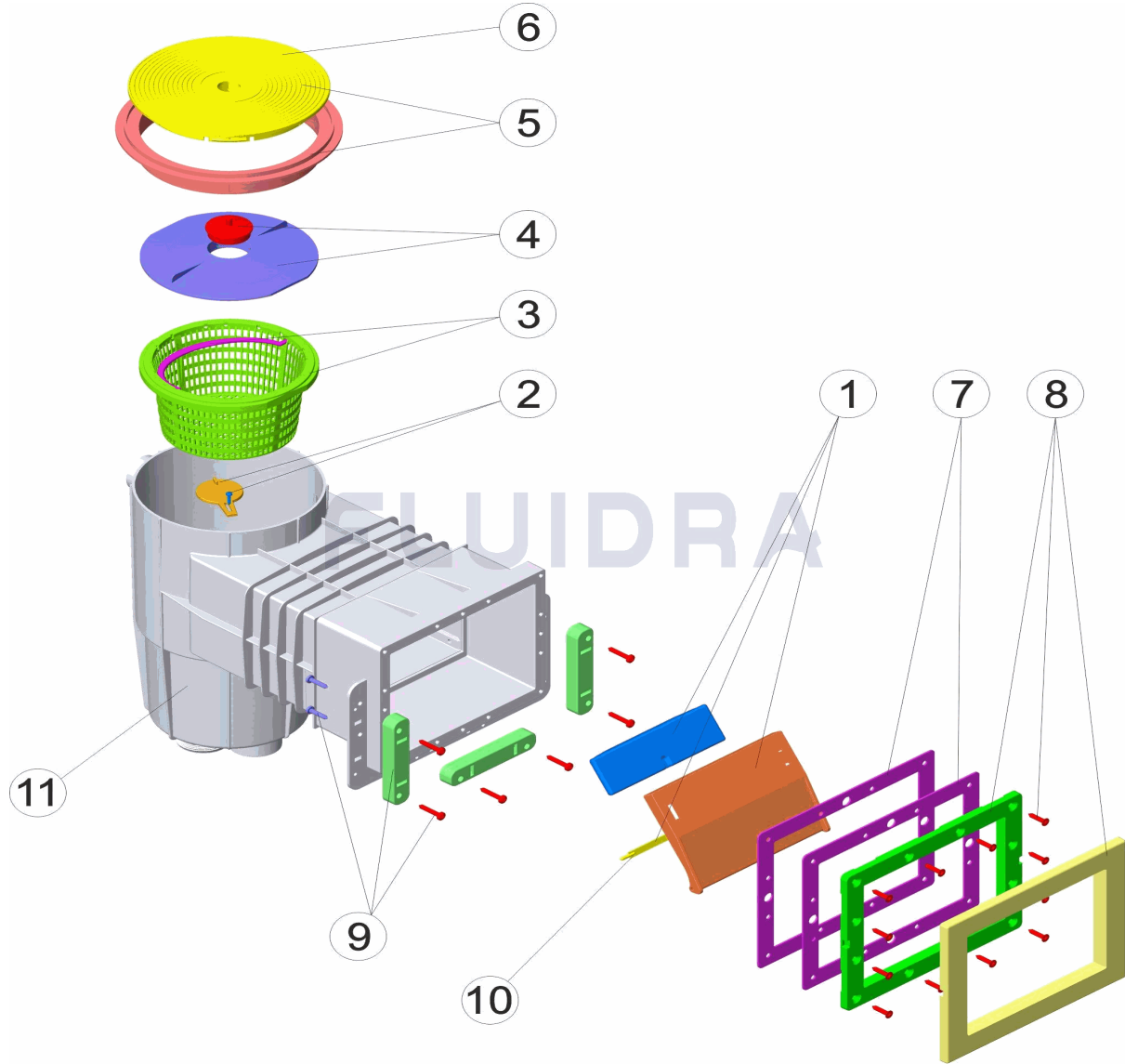


ITALIANO

POS	CODICE	DESCRIZIONE	QUANTITA'	POS	CODICE	DESCRIZIONE	QUANTITA'
1	44020101	BATTENTE SKIMMER CON PERNO		7	4402011611	GUARNIZIONE PER SKIMMER P.P.	
2	44020102	ALETTA PARZIALIZZATRICE SKIMMER		8	4402011612	FLANGIA SKIMMER P.P.	
3	44020103	CESTELLO SKIMMER		9	4402011613	SPESSORE BOCCA SKIMMER IML	
4	44020104	COPERCHIO CESTELLO SKIMMER CON TA		10	4402010110	CERNIERE BATTENTE	
5	44020105	COPERCHIO E CORNICE TONDA SKIMMER		11	32376R0100	KIT CORPO 15 L. B. PANNELLO PICCOLO	
6	44020108	COPERCHIO TONDO SKIMMER					

CODE **32376**

BESCHREIBUNG: **SKIMMER 15L PLATTENBECKEN EINLASS KLEIN ABDECKUNG RUND**

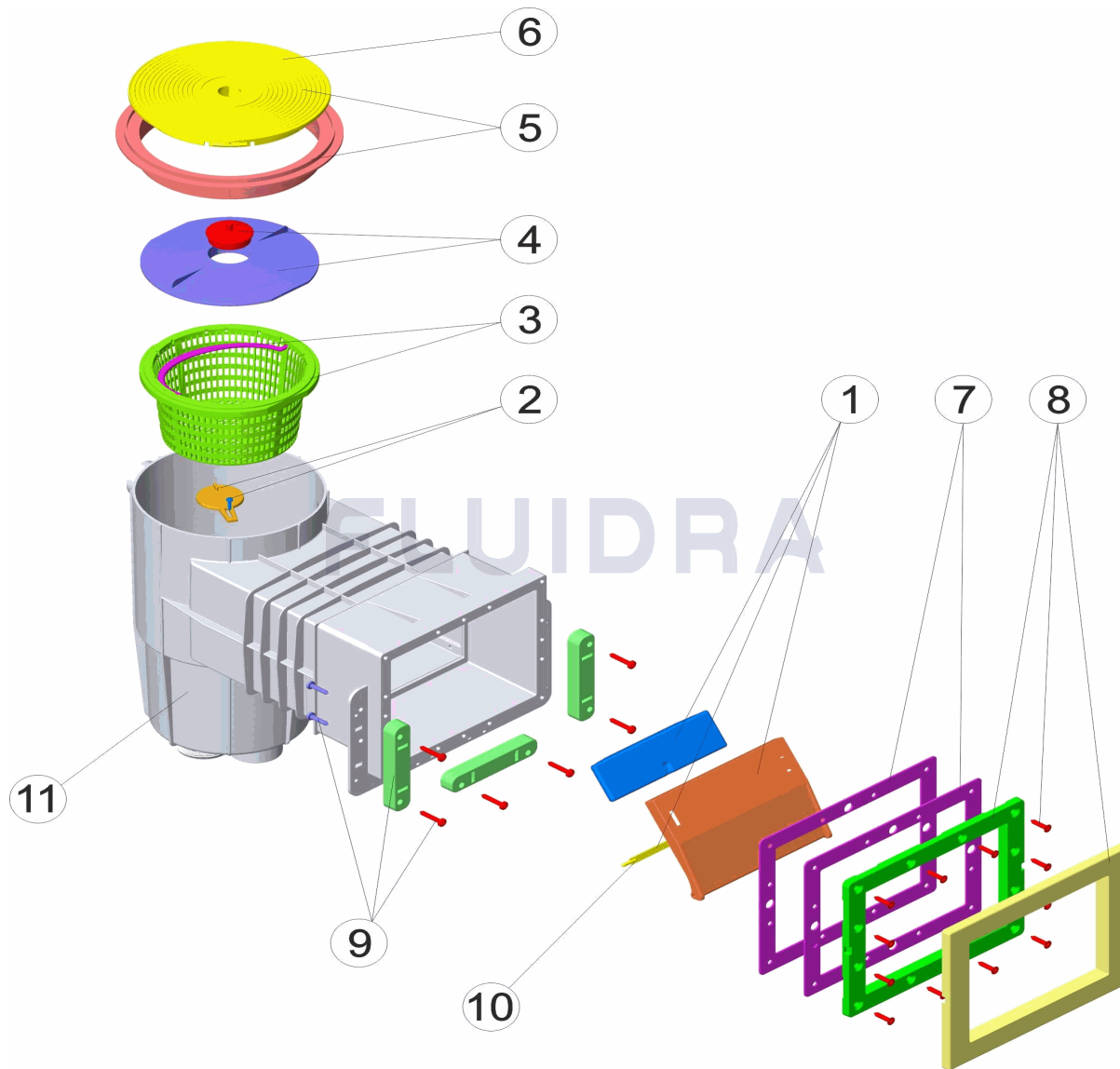


DEUTSCH

POS	CODE	BESCHREIBUNG	MENGE	POS	CODE	BESCHREIBUNG	MENGE
1	44020101	SKIMMERKLAPPE SCHARNIER		7	4402011611	DICHTUNG SKIMMER KLEIN FERTIGBECKE	
2	44020102	ABDECKKAPPE		8	4402011612	KLEINER SKIMMERRAHMEN FERTIGBECKE	
3	44020103	SKIMMERKORB		9	4402011613	ZWISCHENSTÜCKE SKIMMEREINLASS	
4	44020104	ABDECKUNG SKIMMKORB MIT STOPFEN		10	44020110	SCHARNIER Klappe	
5	44020105	ABDECKUNG UND RING SKIMMER RUND		11	32376R0100	SET GEHÄUSE 15 L KLEIN PLATTEN	
6	44020108	ABDECKUNG RUND SKIMMER					

CODIGO **32376**

DESCRIÇÃO: **SKIMMER 15 L P. PAINÉIS B. PEQ. T. CIRCULAR**



PORTUGUES

POS	CODIGO	DESCRIÇÃO	JANTIDADE	POS	CODIGO	DESCRIÇÃO	JANTIDADE
1	44020101	COMPORTA SKIMMER BISAGRA		7	4402011611	JUNTA PEQUENA SKIMMER P.P.	
2	44020102	CLAPETA SKIMMER		8	4402011612	CAIXILHO BOCA SKIMMER P.P.	
3	44020103	CESTO SKIMMER		9	4402011613	TACO DE ENCHIMENTO PARA BOCA SKIMM	
4	44020104	TAMPA CESTO SKIMMER		10	4402010110	DOBRADIÇA COMPORTA	
5	44020105	TAMPA E ARO CIRCULAR SKIMMER		11	32376R0100	CONJ. CORPO 15L B. PEQUENA PAINES	
6	44020108	TAMPA CIRCULAR SKIMMER					