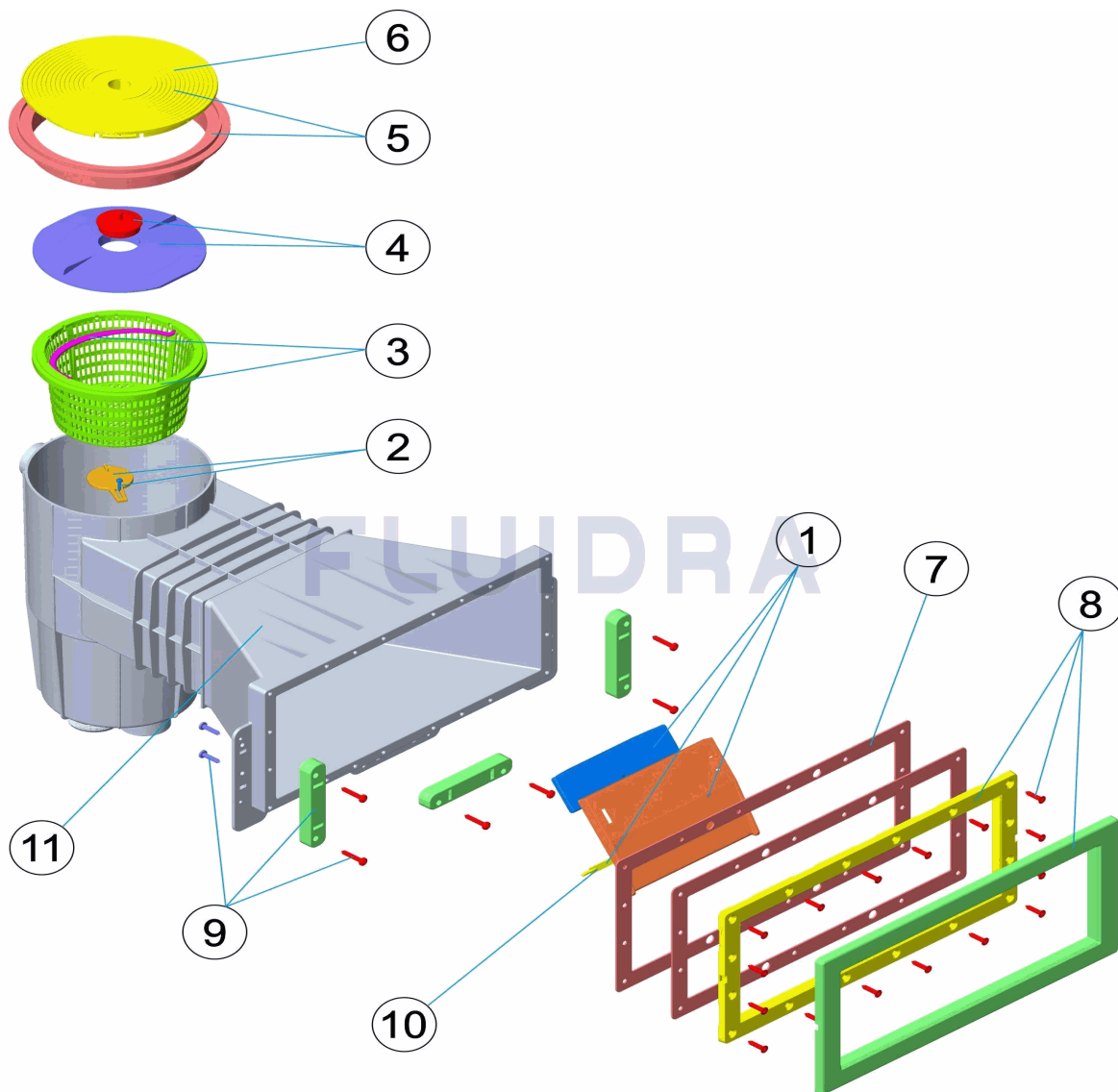


CODIGO **32377**

DESCRIPCION: **SKIMMER 15L P. PANELES B. ANCHA T. CIRCULAR**

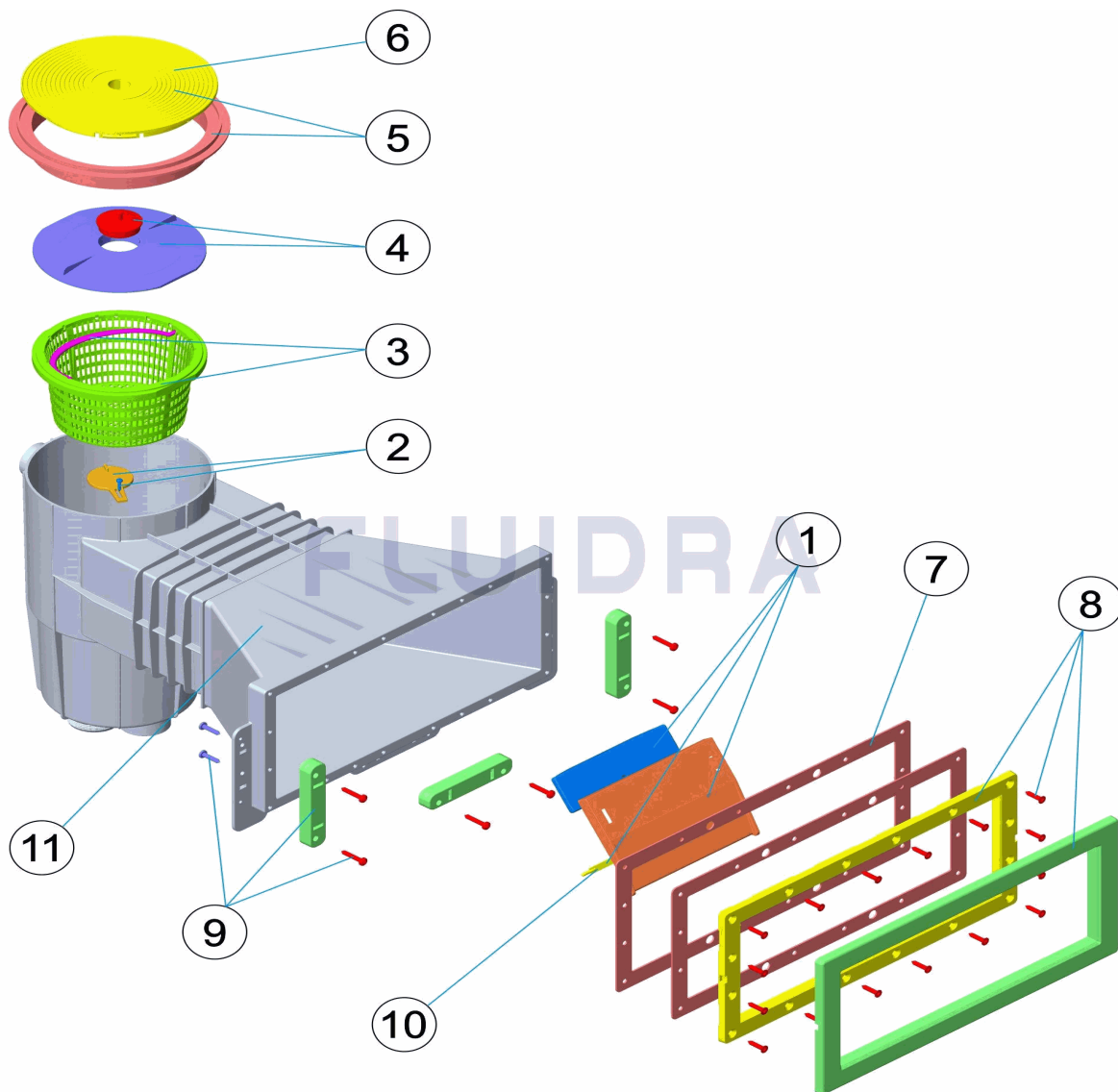


ESPAÑOL

POS	CODIGO	DESCRIPCION	CANTIDAD	POS	CODIGO	DESCRIPCION	CANTIDAD
1	44020101	COMPUERTA SKIMMER BISAGRA		7	4402011711	JUNTA SKIMMER GRANDE P.P.	
2	44020102	CLAPETA SKIMMER		8	4402011712	MARCO GRANDE SKIMMER P.P.	
3	44020103	CESTO SKIMMER		9	4402011613	GROSORES BOCA SKIMMER	
4	44020104	TAPA CESTO SKIMMER CON TAPON		10	4402010110	BISAGRA COMPUERTA	
5	44020105	TAPA Y ARO CIRCULAR SKIMMER		11	28884R0001	BOCA ANCHA PARA PANELES	
6	44020108	TAPA CIRCULAR SKIMMER					

CODE 32377

DESCRIPTION: SKIMMER 15L P. PANNEAUX O. LARGE. C. CIRCULAIRE

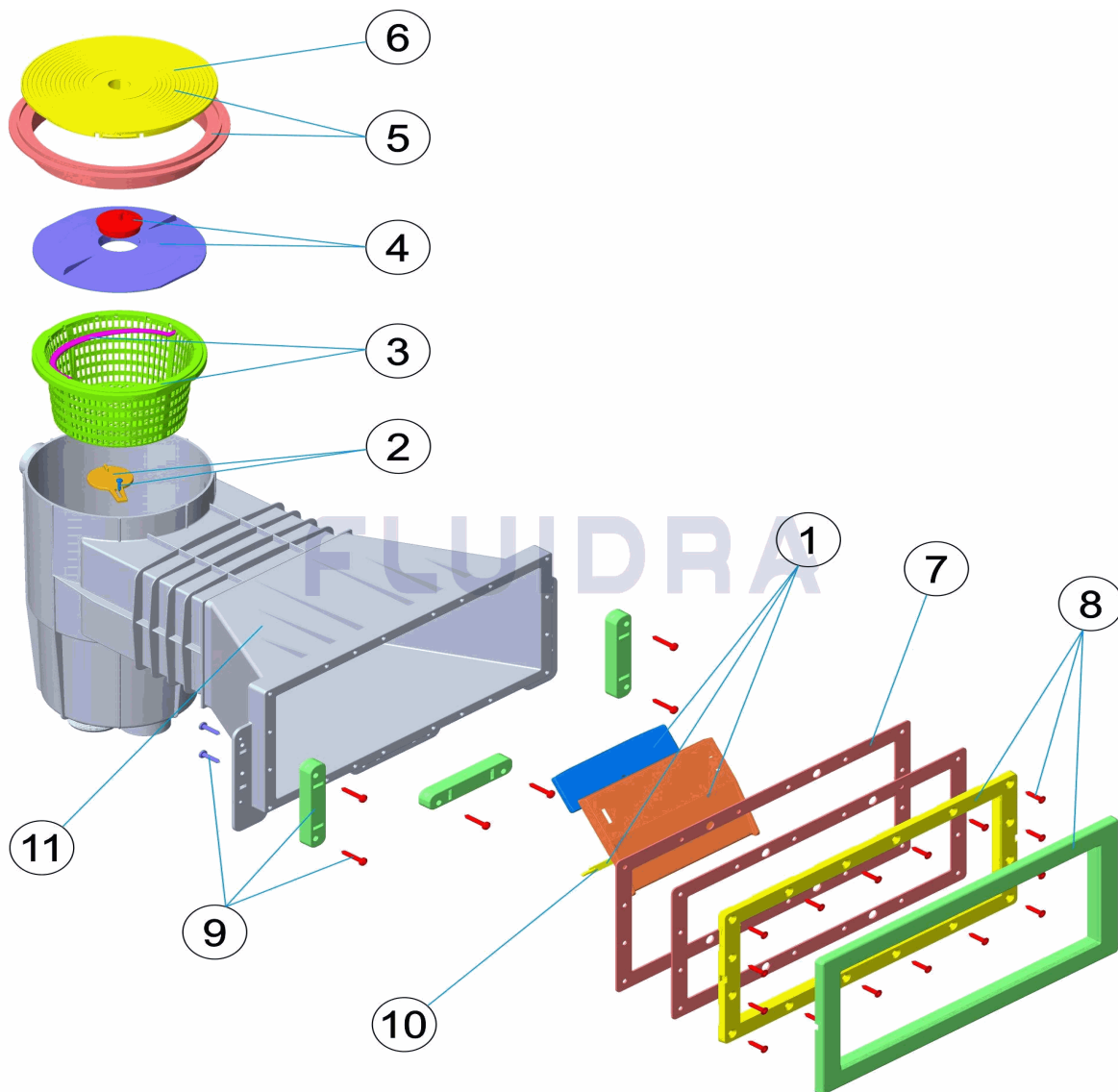


FRANCAIS

POS	CODE	DESCRIPTION	QUANTITE	POS	CODE	DESCRIPTION	QUANTITE
1	4402010101	VOLET ET CHARNIERE SKIMMER		7	4402011711	JOINT SKIM GRAND P.P.	
2	4402010102	CLAPET SKIMMER		8	4402011712	GRAND CADRE SKIMMER P.P.	
3	4402010103	PANIER SKIMMER		9	4402011613	PLAQUE FIXATION BOUCHE SKIMMER	
4	4402010104	COUVERCLE PANIER SKIMMER AVEC BOU		10	4402010110	CHARNIERE VOLET	
5	4402010105	COUVERCLE ET CADRE ROND SKIMMER		11	28884R0001	BOUCHE LARGE POUR PANNEAUX	
6	4402010108	COUVERCLE ROND SKIMMER					

CODE 32377

DESCRIPTION: SKIMMER 15L PANEL POOL WIDE MOUTH ROUND COVER

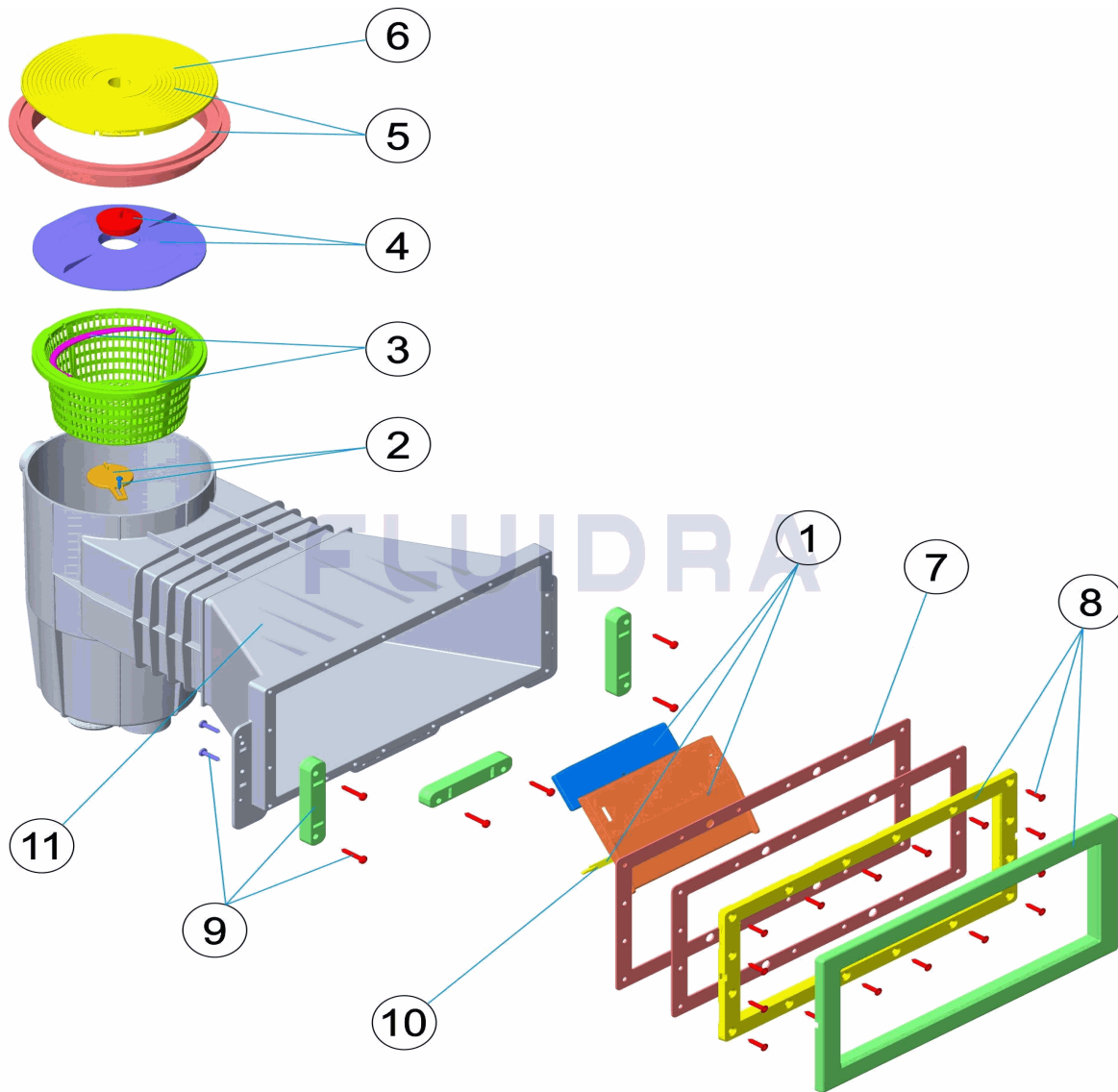


ENGLISH

POS	CODE	DESCRIPTION	QUANTITY	POS	CODE	DESCRIPTION	QUANTITY
1	4402010101	FLAP RETAINING CLIP		7	4402011711	LARGE SKIMMER GASKETS	
2	4402010102	KEYHOLE FLAP		8	4402011712	LARGE SKIMMER FRAME P.P.	
3	4402010103	SKIMMER BASKET		9	4402011613	SPACERS	
4	4402010104	VACUUM PLATE WITH PLUG		10	4402010110	HINGE FLAP	
5	4402010105	CIRCULAR LID AND LID FRAME		11	28884R0001	WIDE THROAT FOR PANELS	
6	4402010108	CIRCULAR SKIMMER LID					

CODICE 32377

DESCRIZIONE: SKIMMER 15L P. PANNELLI B. LARGA TAPPO CIRCOLARE

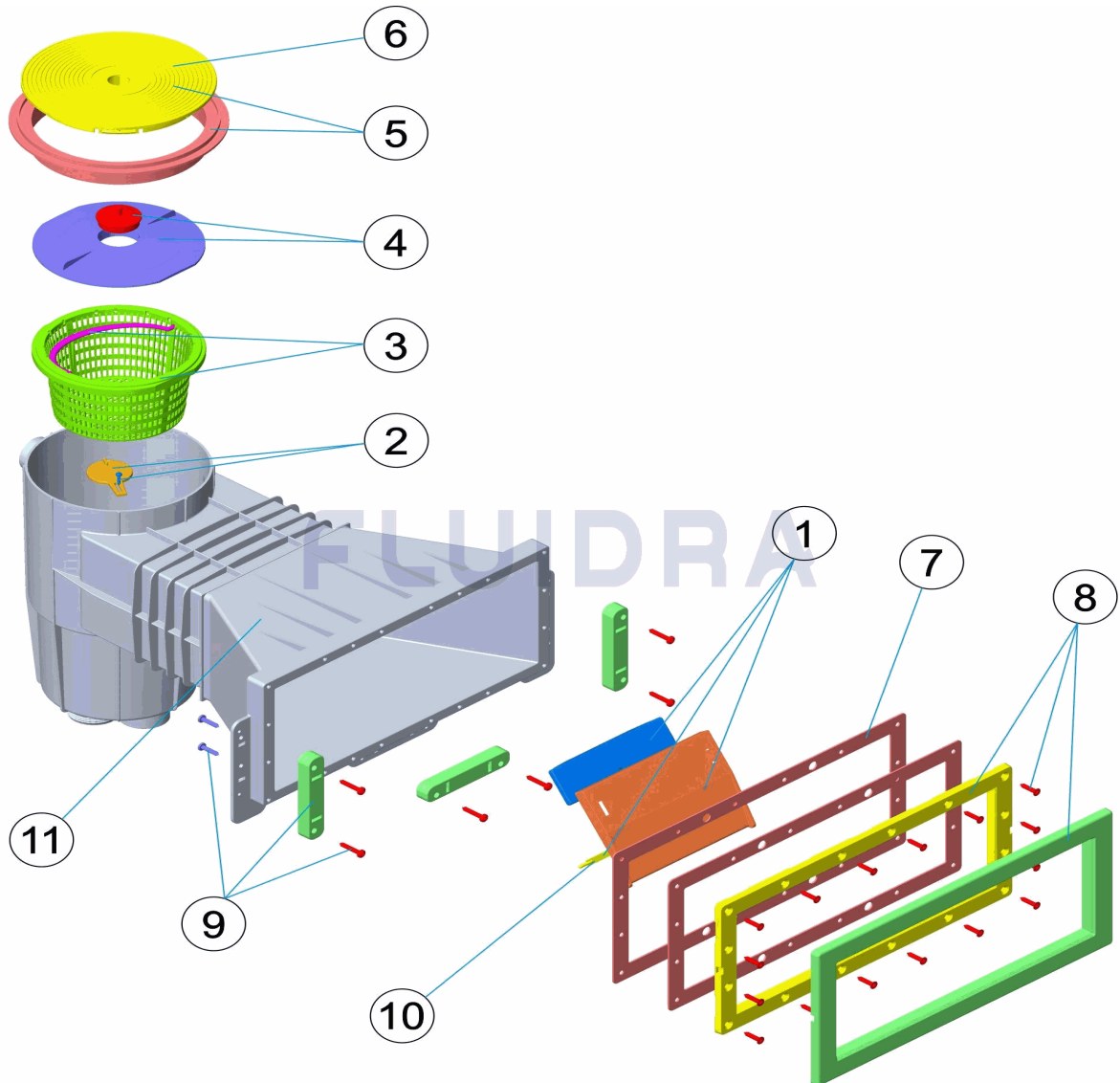


ITALIANO

POS	CODICE	DESCRIZIONE	QUANTITA'	POS	CODICE	DESCRIZIONE	QUANTITA'
1	44020101	BATTENTE SKIMMER CON PERNO		7	4402011711	GUARNIZIONE PER SKIMMER P.P.	
2	44020102	ALETTA PARZIALIZZATRICE SKIMMER		8	4402011712	FLANGIA SKIMMER P.P.	
3	44020103	CESTELLO SKIMMER		9	4402011613	SPESSORE BOCCA SKIMMER IML	
4	44020104	COPERCHIO CESTELLO SKIMMER CON TA		10	4402010110	CERNIERE BATTENTE	
5	44020105	COPERCHIO E CORNICE TONDA SKIMMER		11	28884R0001	BOCCA AMPIA PANNELLI	
6	44020108	COPERCHIO TONDO SKIMMER					

CODE 32377

BESCHREIBUNG: SKIMMER 15L PLATTENBECKEN EINLASS BREIT ABDECKUNG RUND

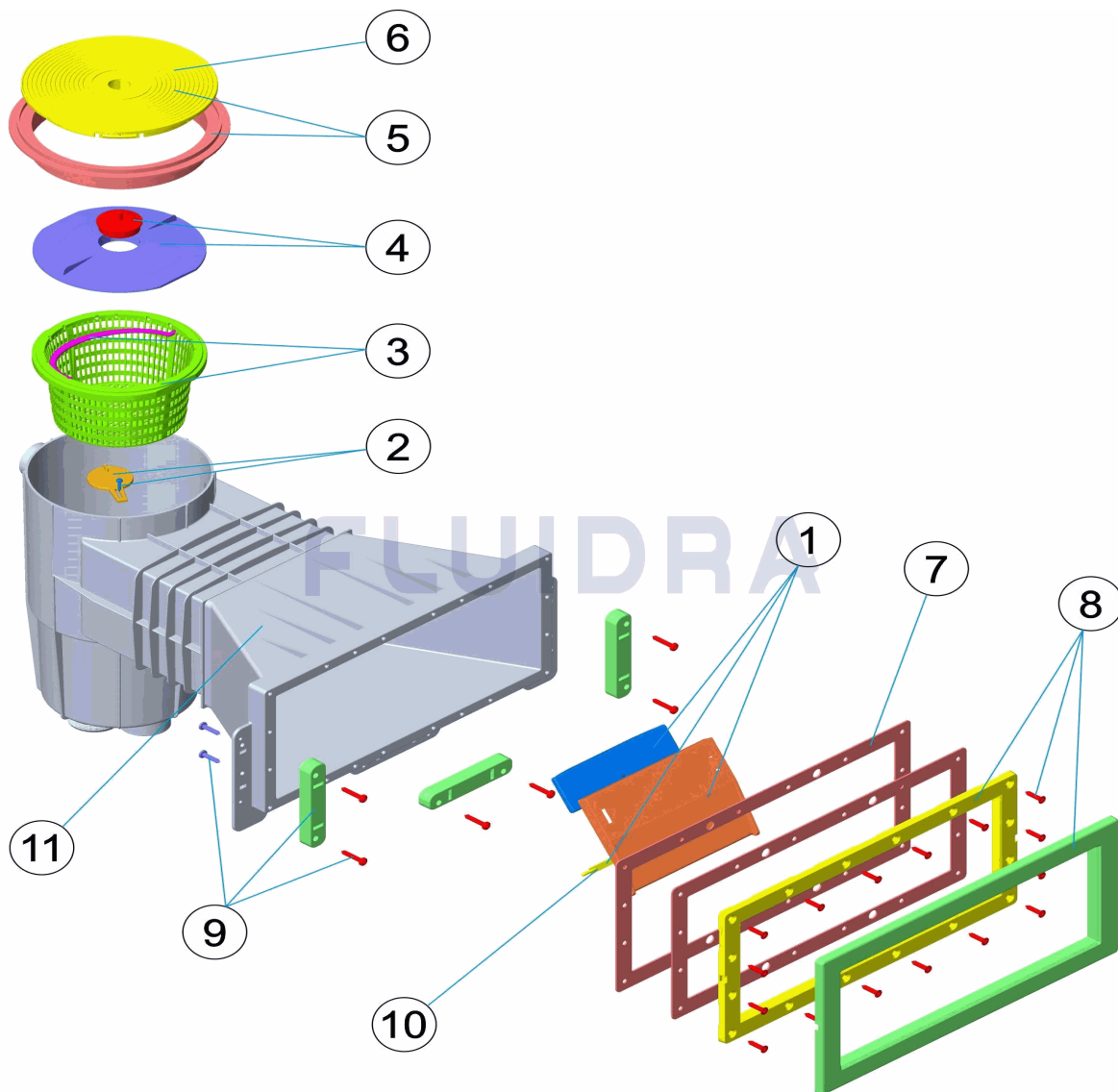


DEUTSCH

POS	CODE	BESCHREIBUNG	MENGE	POS	CODE	BESCHREIBUNG	MENGE
1	44020101	SKIMMERKLAPPE SCHARNIER		7	4402011711	DICHTUNG SKIMMER GROSS FERTIGBECK	
2	44020102	ABDECKKAPPE		8	4402011712	GROSSER SKIMMERRAHMEN FERTIGBECK	
3	44020103	SKIMMERKORB		9	4402011613	ZWISCHENSTÜCKE SKIMMEREINLASS	
4	44020104	ABDECKUNG SKIMMKORB MIT STOPFEN		10	4402010110	SCHARNIER Klappe	
5	44020105	ABDECKUNG UND RING SKIMMER RUND		11	28884R0001	EINLASS BREIT FÜR PLATTEN	
6	44020108	ABDECKUNG RUND SKIMMER					

CODIGO **32377**

DESCRIÇÃO: **SKIMMER 15 L P. PAINÉIS B. LARGA T. CIRCULAR**



PORTUGUES

POS	CODIGO	DESCRIÇÃO	JANTIDADE	POS	CODIGO	DESCRIÇÃO	JANTIDADE
1	44020101	COMPORTA SKIMMER BISAGRA		7	4402011711	JUNTA GRANDE SKIMMER P.P.	
2	44020102	CLAPETA SKIMMER		8	4402011712	CAIXILHO BOCA SKIMMER P.P.	
3	44020103	CESTO SKIMMER		9	4402011613	TACO DE ENCHIMENTO PARA BOCA SKIMM	
4	44020104	TAMPA CESTO SKIMMER		10	4402010110	DOBRADIÇA COMPORTA	
5	44020105	TAMPA E ARO CIRCULAR SKIMMER		11	28884R0001	BOCA ANCHO PARA PAINES	
6	44020108	TAMPA CIRCULAR SKIMMER					