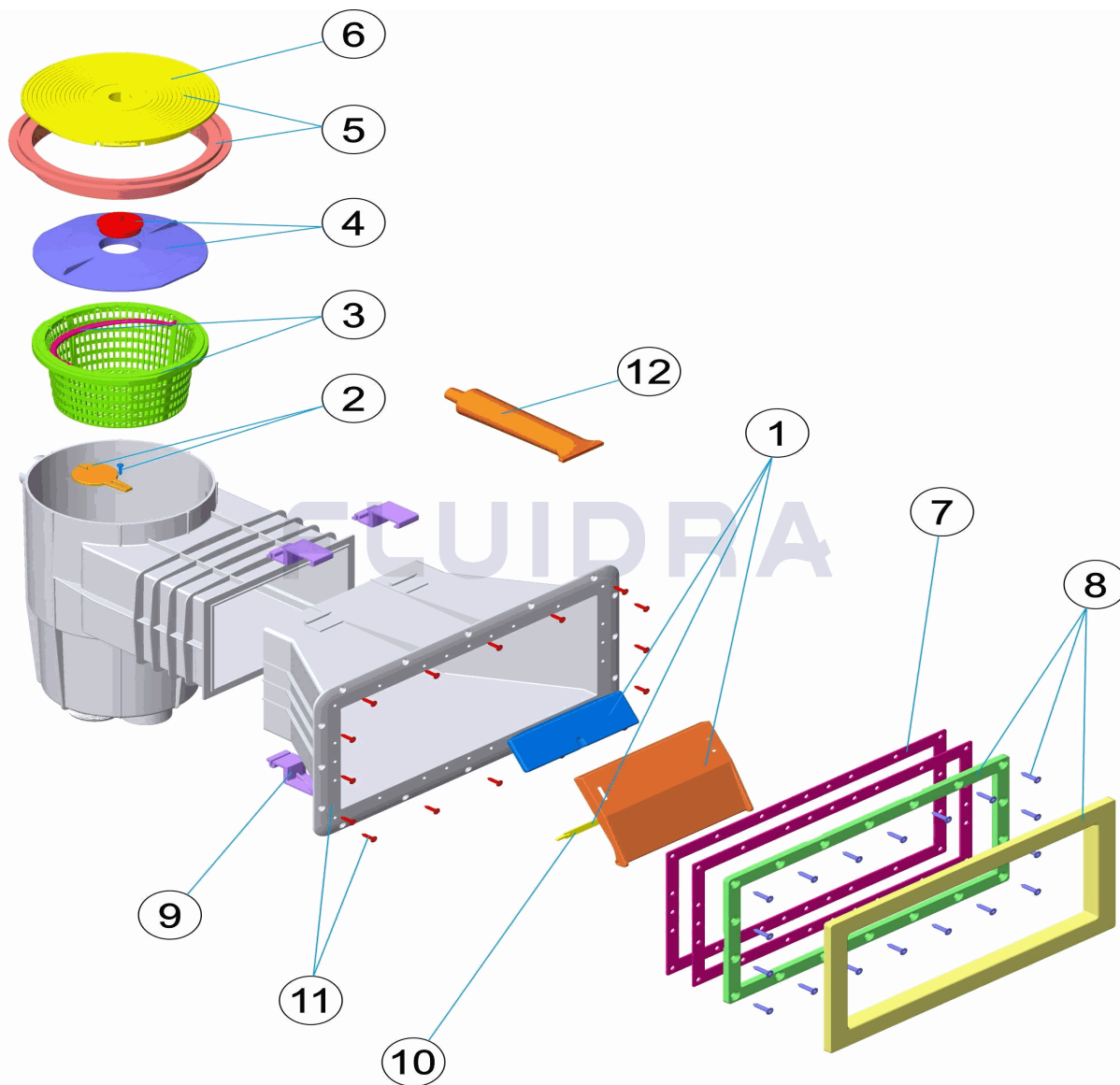


CODIGO **32372**

DESCRIPCION: **SKIMMER 15L B. AMPL. PANELES T. CIRCULAR**

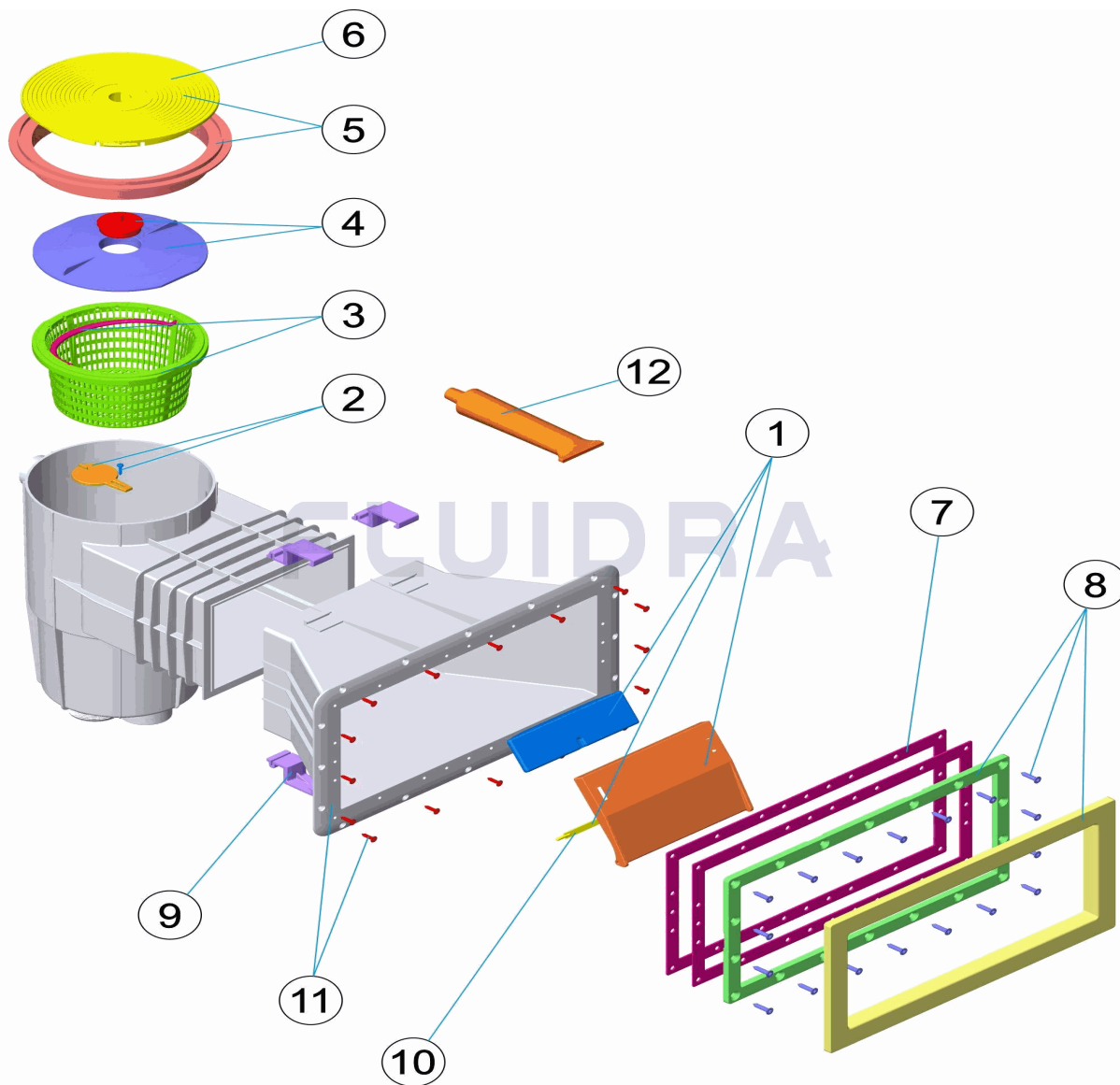


ESPAÑOL

POS	CODIGO	DESCRIPCION	CANTIDAD	POS	CODIGO	DESCRIPCION	CANTIDAD
1	4402010101	COMPUERTA SKIMMER BISAGRA	7	4402010407	JUNTA SKIMMER GRANDE PISC. PREF.		
2	4402010102	CLAPETA SKIMMER	8	4402012012	MARCO BOCA SKIMMER P.P.		
3	4402010103	CESTO SKIMMER	9	4402012013	FALCAS FIJACION BOCA SKIMMER		
4	4402010104	TAPA CESTO SKIMMER CON TAPON	10	4402010110	BISAGRA COMPUERTA		
5	4402010105	TAPA Y ARO CIRCULAR SKIMMER	11	4402012014	BOCA CONICA + ANCLAJES		
6	4402010108	TAPA CIRCULAR SKIMMER	12	30884	ADHESIVO PARA ABS		

CODE 32372

DESCRIPTION: SKIMMER 15L O. LARGE. PANNEAUX C. CIRCULAIRE

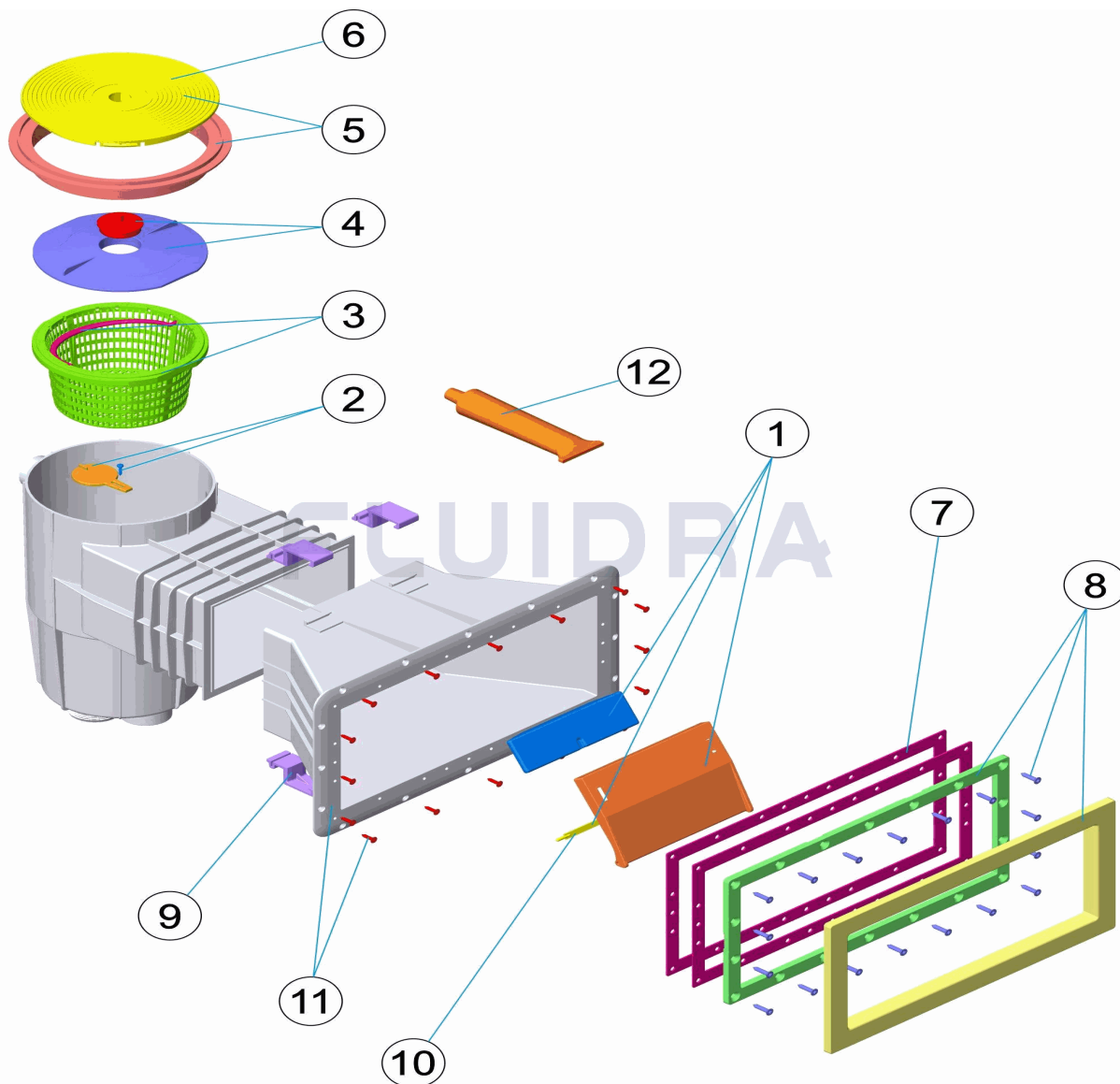


FRANCAIS

POS	CODE	DESCRIPTION	QUANTITE	POS	CODE	DESCRIPTION	QUANTITE
1	44020101	VOLET ET CHARNIERE SKIMMER		7	440201047	JOINT SKIM GRAND MOD PISCINE LINER	
2	44020102	CLAPET SKIMMER		8	4402012012	CADRE BOUCHE SKIMMER P.P.	
3	44020103	PANIER SKIMMER		9	4402012013	SUPPORT DE FIXATION BOUCHE DE SKIMM	
4	44020104	COUVERCLE PANIER SKIMMER AVEC BOU		10	4402010110	CHARNIERE VOLET	
5	44020105	COUVERCLE ET CADRE ROND SKIMMER		11	4402012014	BOUCHE CONIQUE + ANCRAGE	
6	44020108	COUVERCLE ROND SKIMMER		12	30884	ADHÉSIF POUR ABS	

CODE 32372

DESCRIPTION: SKIMMER 15L WIDE MOUTH PANELS ROUND COVER

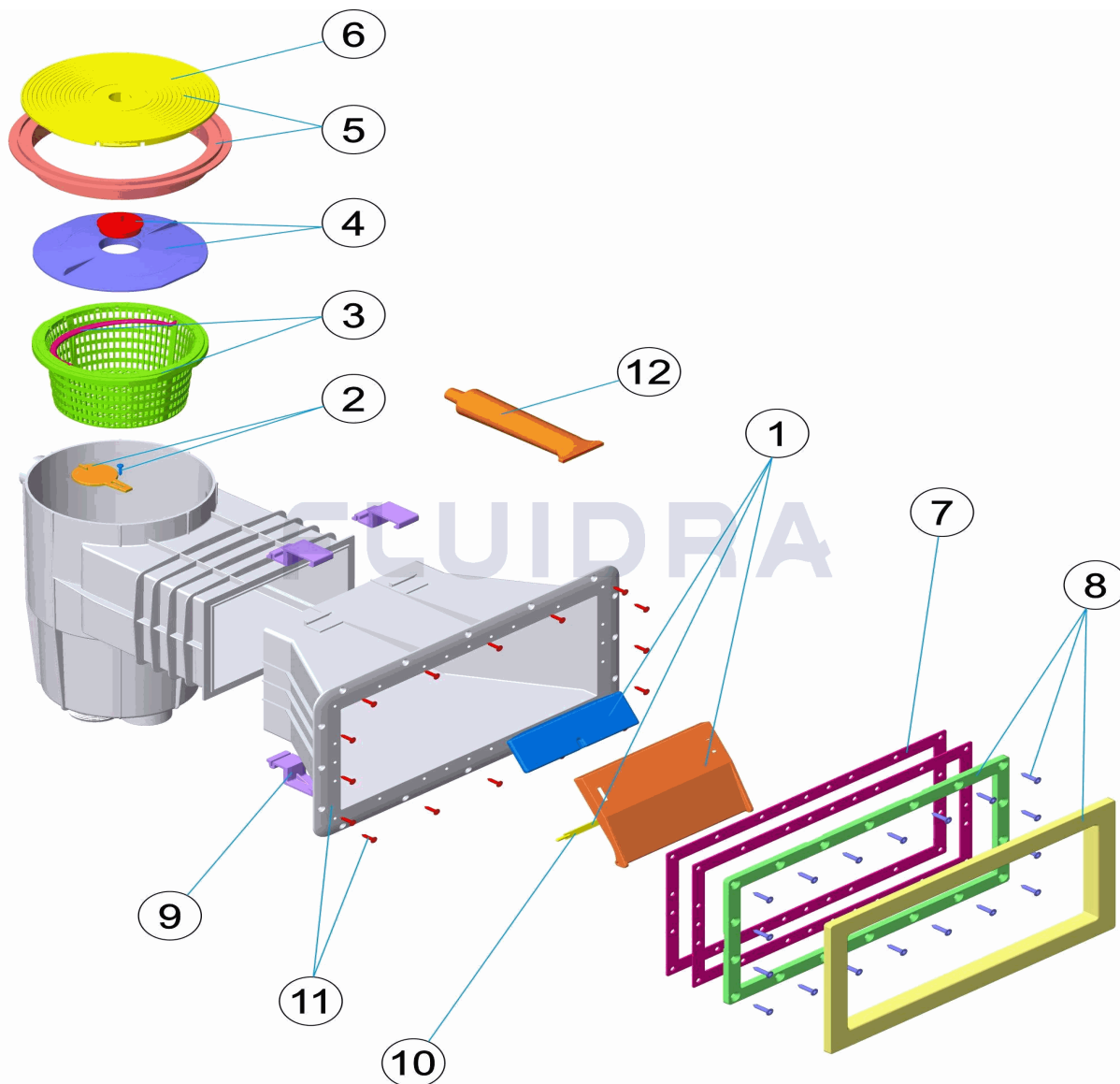


ENGLISH

POS	CODE	DESCRIPTION	QUANTITY	POS	CODE	DESCRIPTION	QUANTITY
1	44020101	FLAP RETAINING CLIP		7	440201047	LARGE SKIMMER GASKETS FOR LINER	
2	44020102	KEYHOLE FLAP		8	4402012012	SKIMMER FRAME P.P.	
3	44020103	SKIMMER BASKET		9	4402012013	EXTENSION THROAT CLAMP	
4	44020104	VACUUM PLATE WITH PLUG		10	440201110	HINGE FLAP	
5	44020105	CIRCULAR LID AND LID FRAME		11	4402012014	EXTENSION THROAT+FIXING CONNECTOR	
6	44020108	CIRCULAR SKIMMER LID		12	30884	ADHESIVE FOR ABS	

CODICE 32372

DESCRIZIONE: SKIMMER 15L. B. AMPL. PANNELLI TAPPO CIRCOLARE

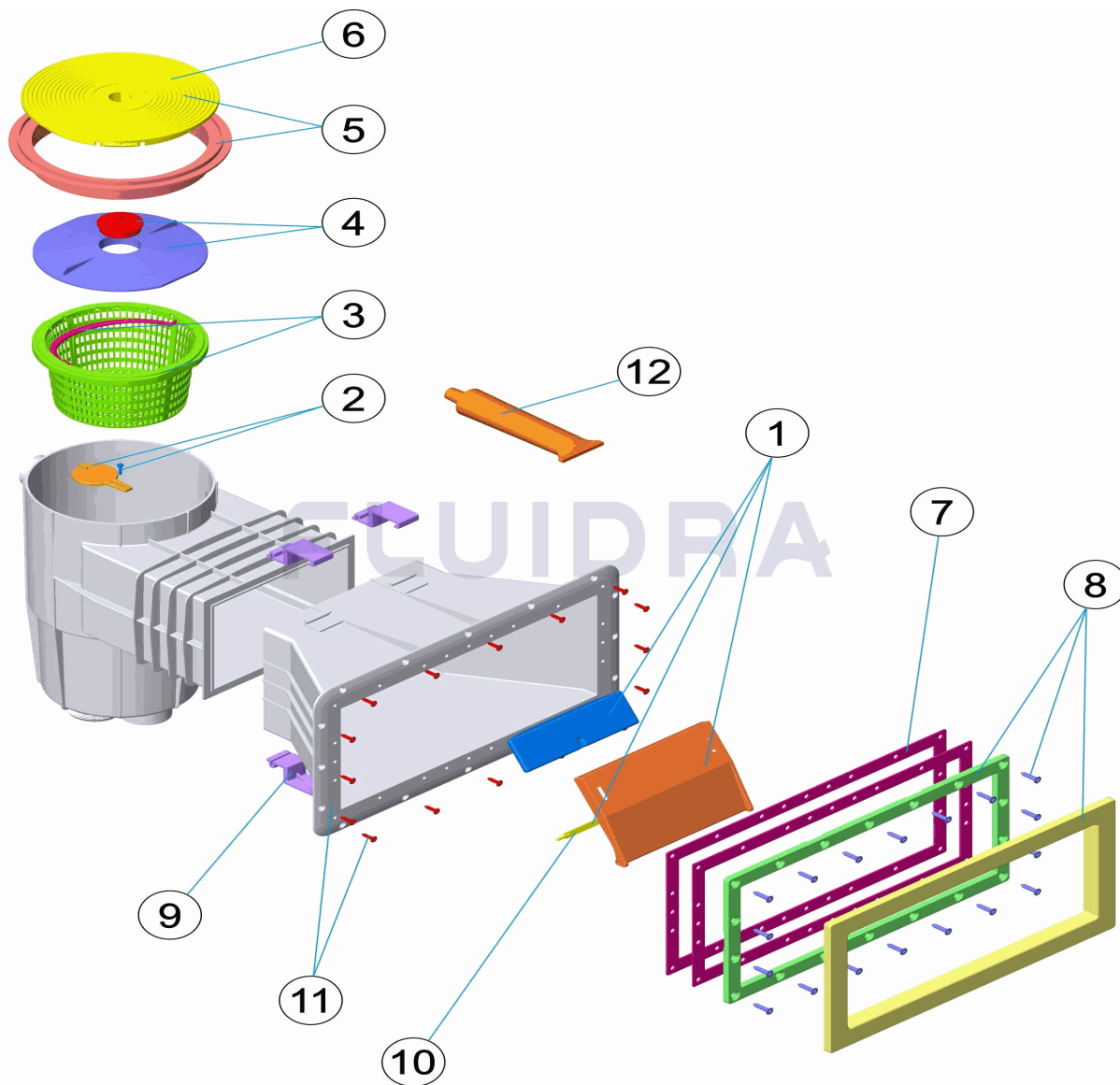


ITALIANO

POS	CODICE	DESCRIZIONE	QUANTITA'	POS	CODICE	DESCRIZIONE	QUANTITA'
1	4402010101	BATTENTE SKIMMER CON PERNO		7	4402010407	GUARNIZIONE PER SKIMMER BOCCA A V P	
2	4402010102	ALETTA PARZIALIZZATRICE SKIMMER		8	4402012012	FLANGIA BOCCA SKIMMER P.P.	
3	4402010103	CESTELLO SKIMMER		9	4402012013	STAFFE AGGANCIO BOCCA SKIMMER	
4	4402010104	COPERCHIO CESTELLO SKIMMER CON TA		10	4402010110	CERNIERE BATTENTE	
5	4402010105	COPERCHIO E CORNICE TONDA SKIMMER		11	4402012014	BOCCA + CLIP BOCCAGGIO	
6	4402010108	COPERCHIO TONDO SKIMMER		12	30884	ADESIVO PER ABS	

CODE 32372

BESCHREIBUNG: SKIMMER 15L EINLASS ERWEITERT PLATTEN ABDECKUNG RUND

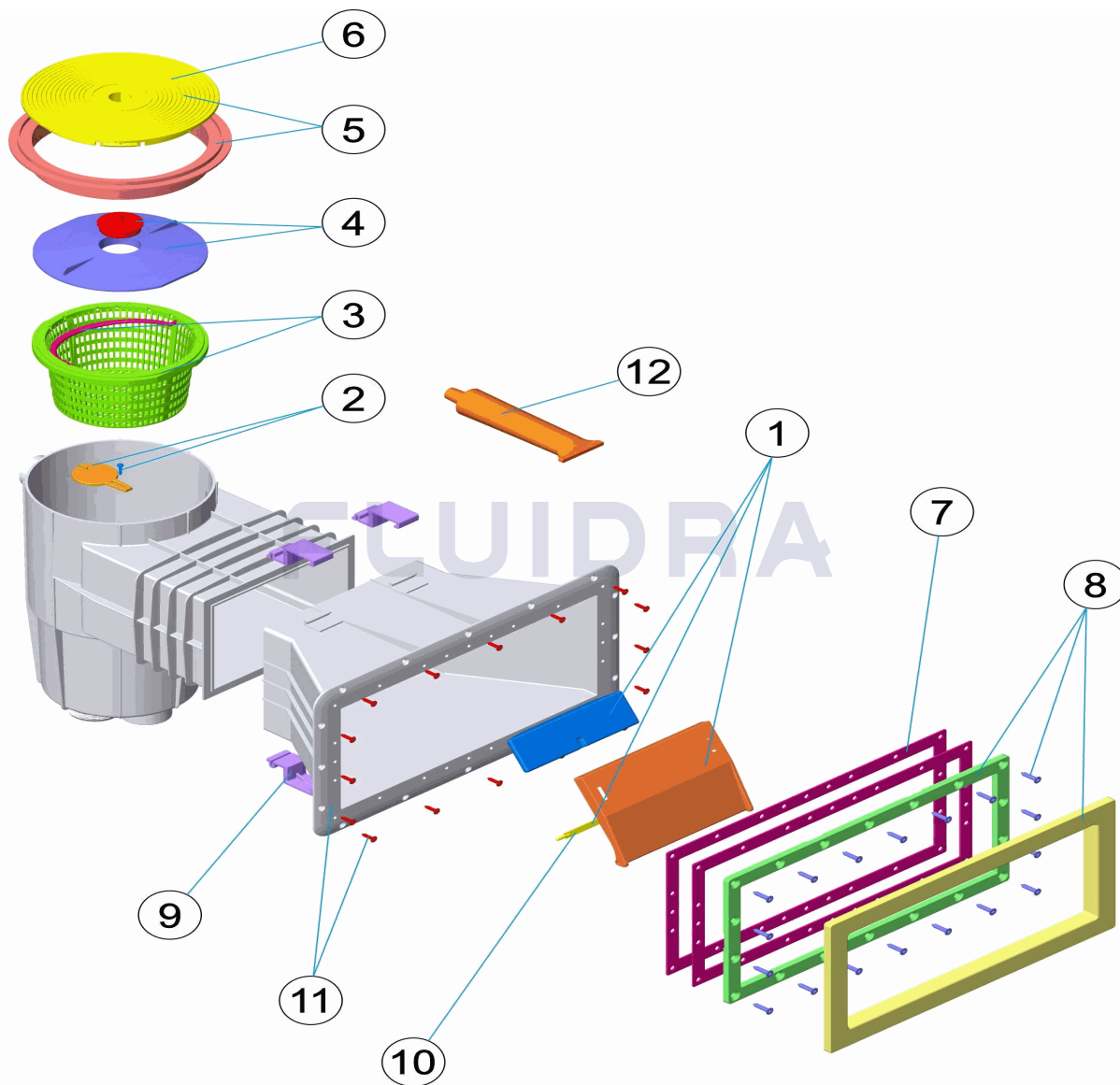


DEUTSCH

POS	CODE	BESCHREIBUNG	MENGE	POS	CODE	BESCHREIBUNG	MENGE
1	44020101	SKIMMERKLAPPE SCHARNIER		7	440201047	DICHTUNG SKIMMER GROSS FERTIGBECK	
2	44020102	ABDECKKAPPE		8	4402012012	RAHMEN SKIMMEREINLASS FERTIGBECKE	
3	44020103	SKIMMERKORB		9	4402012013	FIXIERPLATTEN SKIMMEREINLASS	
4	44020104	ABDECKUNG SKIMMKORB MIT STOPFEN		10	4402010110	SCHARNIER Klappe	
5	44020105	ABDECKUNG UND RING SKIMMER RUND		11	4402012014	KEGELEINLASS MIT VERANKERUNGEN	
6	44020108	ABDECKUNG RUND SKIMMER		12	30884	AUFKLEBER ABS	

CODIGO **32372**

DESCRIÇÃO: **SKIMMER 15 L B. AMPL. PAINÉIS T. CIRCULAR**



PORTUGUES

POS	CODIGO	DESCRIÇÃO	JANTIDADE	POS	CODIGO	DESCRIÇÃO	JANTIDADE
1	44020101	COMPORTA SKIMMER BISAGRA		7	4402010407	JUNTA GRANDE DE SKIMMER	
2	44020102	CLAPETA SKIMMER		8	4402012012	CAIXILHO BOCA SKIMMER P.P.	
3	44020103	CESTO SKIMMER		9	4402012013	SUPORTE DE FIXAÇÃO	
4	44020104	TAMPA CESTO SKIMMER		10	4402010110	DOBRADIÇA COMPORTA	
5	44020105	TAMPA E ARO CIRCULAR SKIMMER		11	4402012014	BOCA CONICA DE AMPLIAÇÃO + ÂNCORA [
6	44020108	TAMPA CIRCULAR SKIMMER		12	30884	ADESIVO PARA ABS	