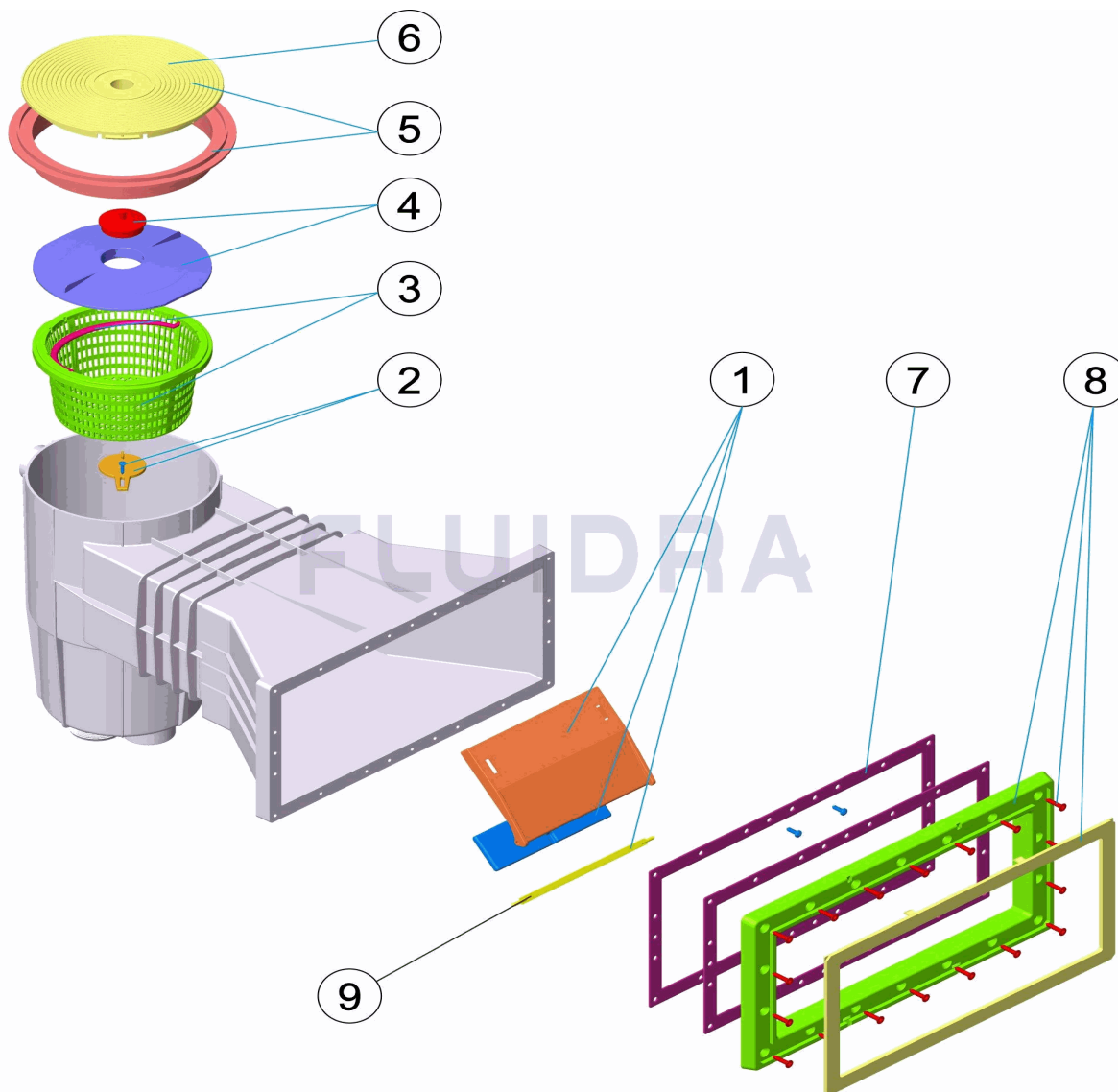


CODIGO **06468**

DESCRIPCION: **SKIMMER 15L PP B. ANCHA TOR. AUTOR. TAPA CIRCULAR**

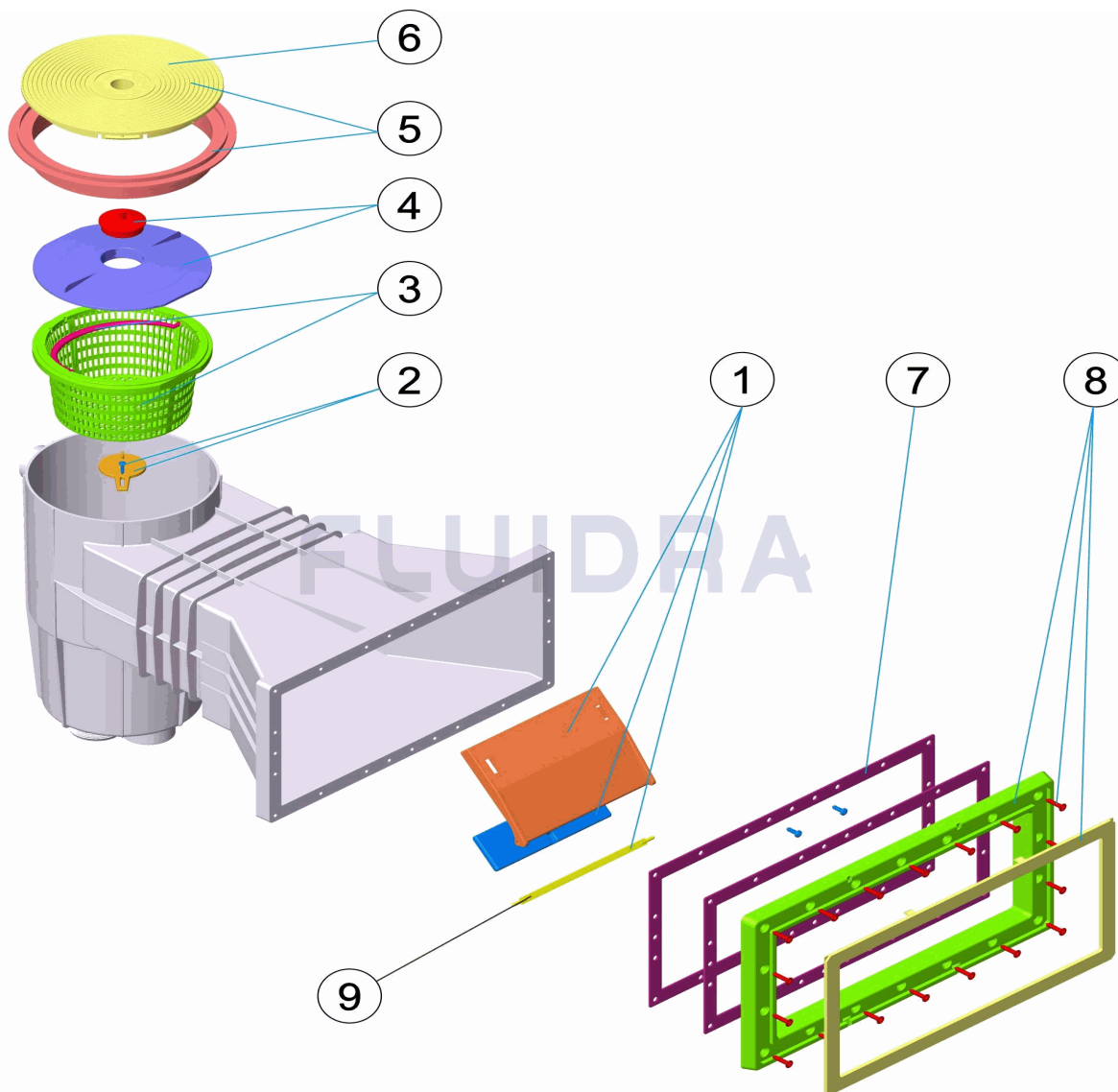


ESPAÑOL

POS	CODIGO	DESCRIPCION	CANTIDAD	POS	CODIGO	DESCRIPCION	CANTIDAD
1	44020101	COMPUERTA SKIMMER BISAGRA		6	4402010108	TAPA CIRCULAR SKIMMER	
2	44020102	CLAPETA SKIMMER		7	4402010407	JUNTA SKIMMER GRANDE PISC. PREF.	
3	44020103	CESTO SKIMMER		8	4402010412	MARCO BOCA SKIMMER PISC. PREF. (PARI	
4	44020104	TAPA CESTO SKIMMER CON TAPON		9	4402010110	BISAGRA COMPUERTA	
5	44020105	TAPA Y ARO CIRCULAR SKIMMER					

CODE 06468

DESCRIPTION: SKIMMER 15L PP O. LARGE VIS. AUTOT. COUVERCLE CIRCULAIRE

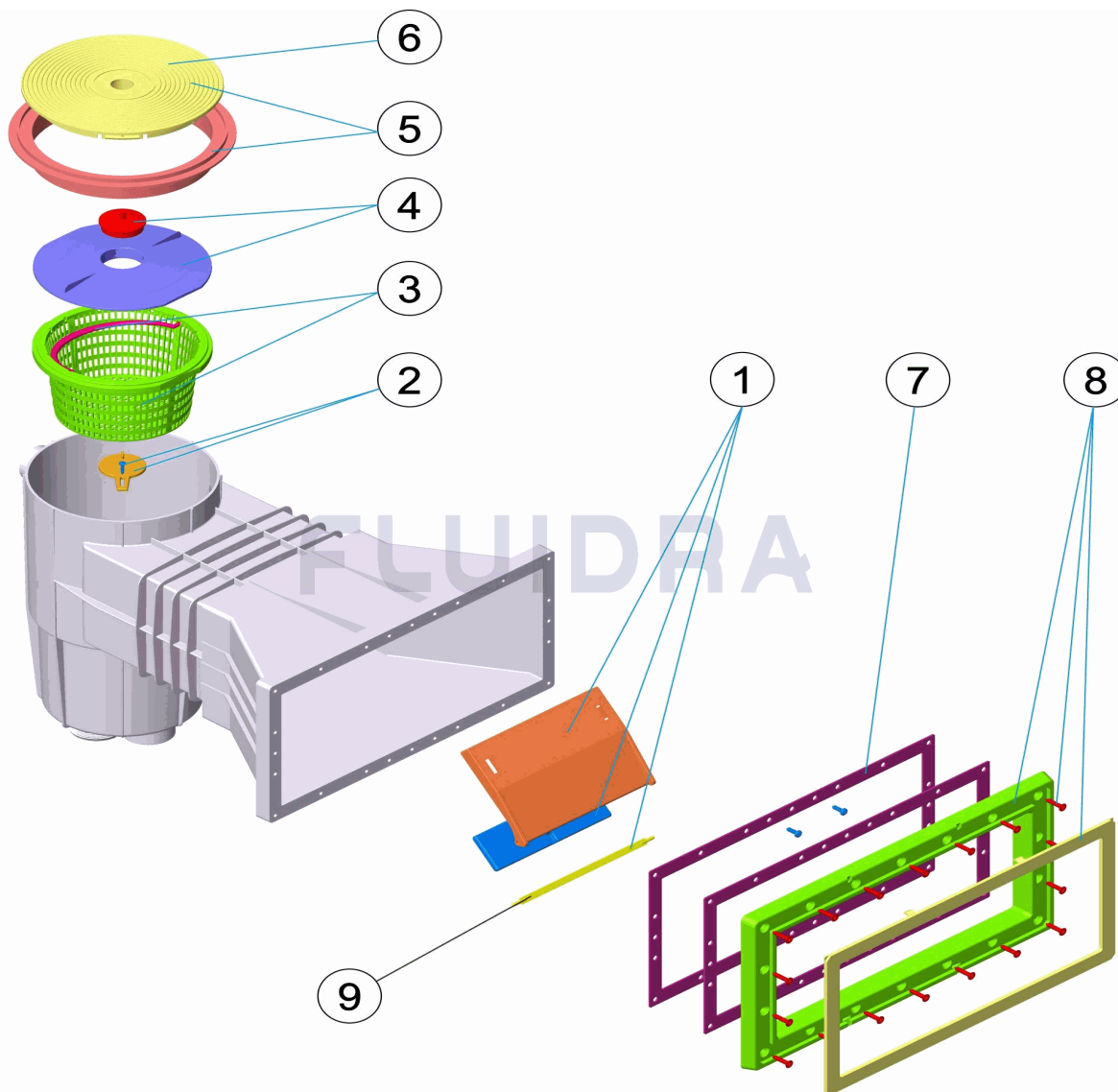


FRANCAIS

POS	CODE	DESCRIPTION	QUANTITE	POS	CODE	DESCRIPTION	QUANTITE
1	44020101	VOLET ET CHARNIERE SKIMMER		6	4402010108	COUVERCLE ROND SKIMMER	
2	44020102	CLAPET SKIMMER		7	4402010407	JOINT SKIM GRAND MOD PISCINE LINER	
3	44020103	PANIER SKIMMER		8	4402010412	BRIDE ET CACHE VIS KIT LINER (PARKER)	
4	44020104	COUVERCLE PANIER SKIMMER AVEC BOU		9	4402010110	CHARNIERE VOLET	
5	44020105	COUVERCLE ET CADRE ROND SKIMMER					

CODE **06468**

DESCRIPTION: **SKIMMER 15L PP WIDE MOUTH THREAD-FORMING SCREW ROUND COVE**

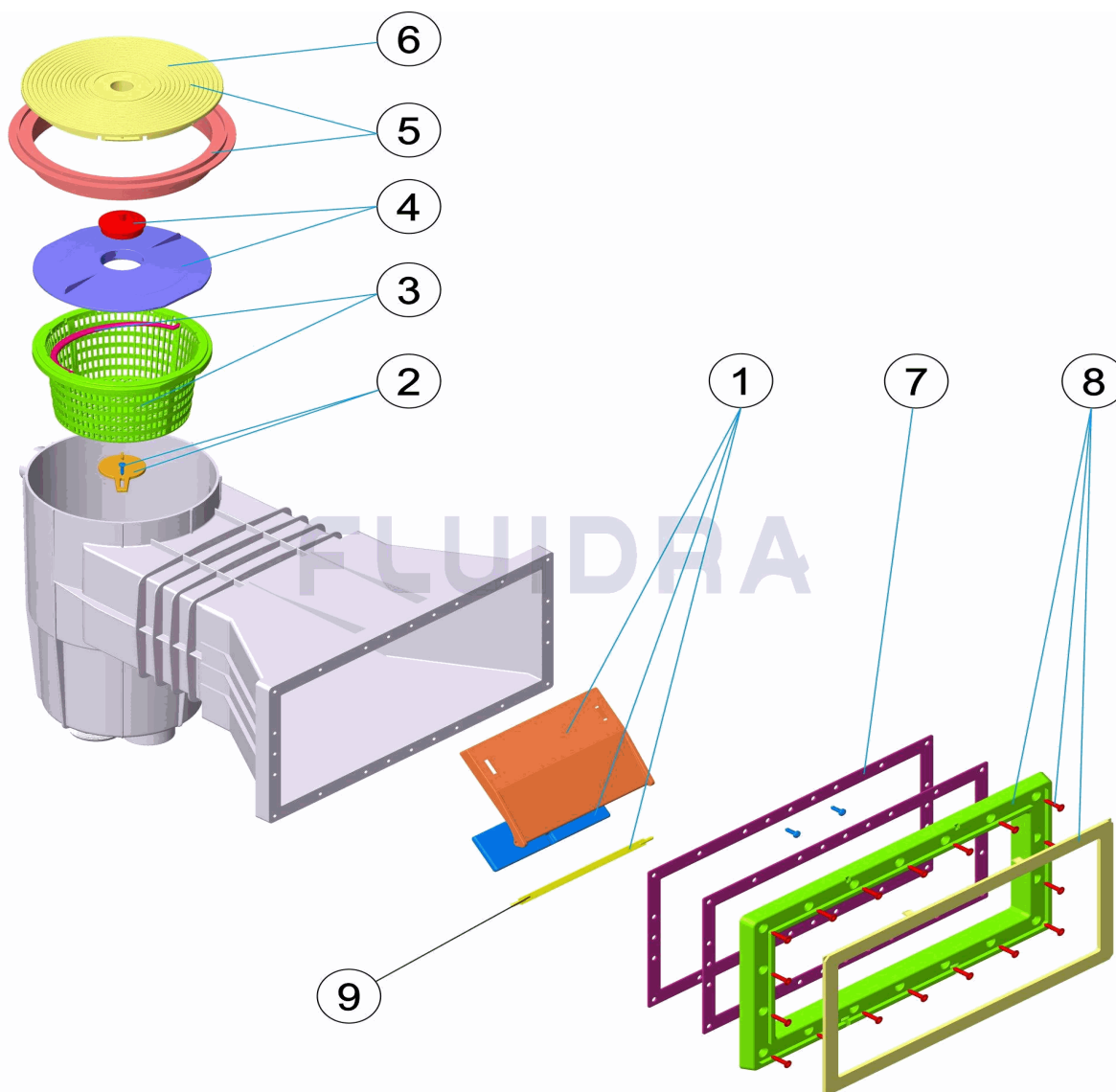


ENGLISH

POS	CODE	DESCRIPTION	QUANTITY	POS	CODE	DESCRIPTION	QUANTITY
1	44020101	FLAP RETAINING CLIP		6	4402010108	CIRCULAR SKIMMER LID	
2	44020102	KEYHOLE FLAP		7	4402010407	LARGE SKIMMER GASKETS FOR LINER	
3	44020103	SKIMMER BASKET		8	4402010412	SKIMMER FRAME FOR LINER (PARKER)	
4	44020104	VACUUM PLATE WITH PLUG		9	4402010110	HINGE FLAP	
5	44020105	CIRCULAR LID AND LID FRAME					

CODICE 06468

DESCRIZIONE: SKIMMER 15L PP B. LARGA TOR. AUTOFIL. TAPPO CIRCOLARE

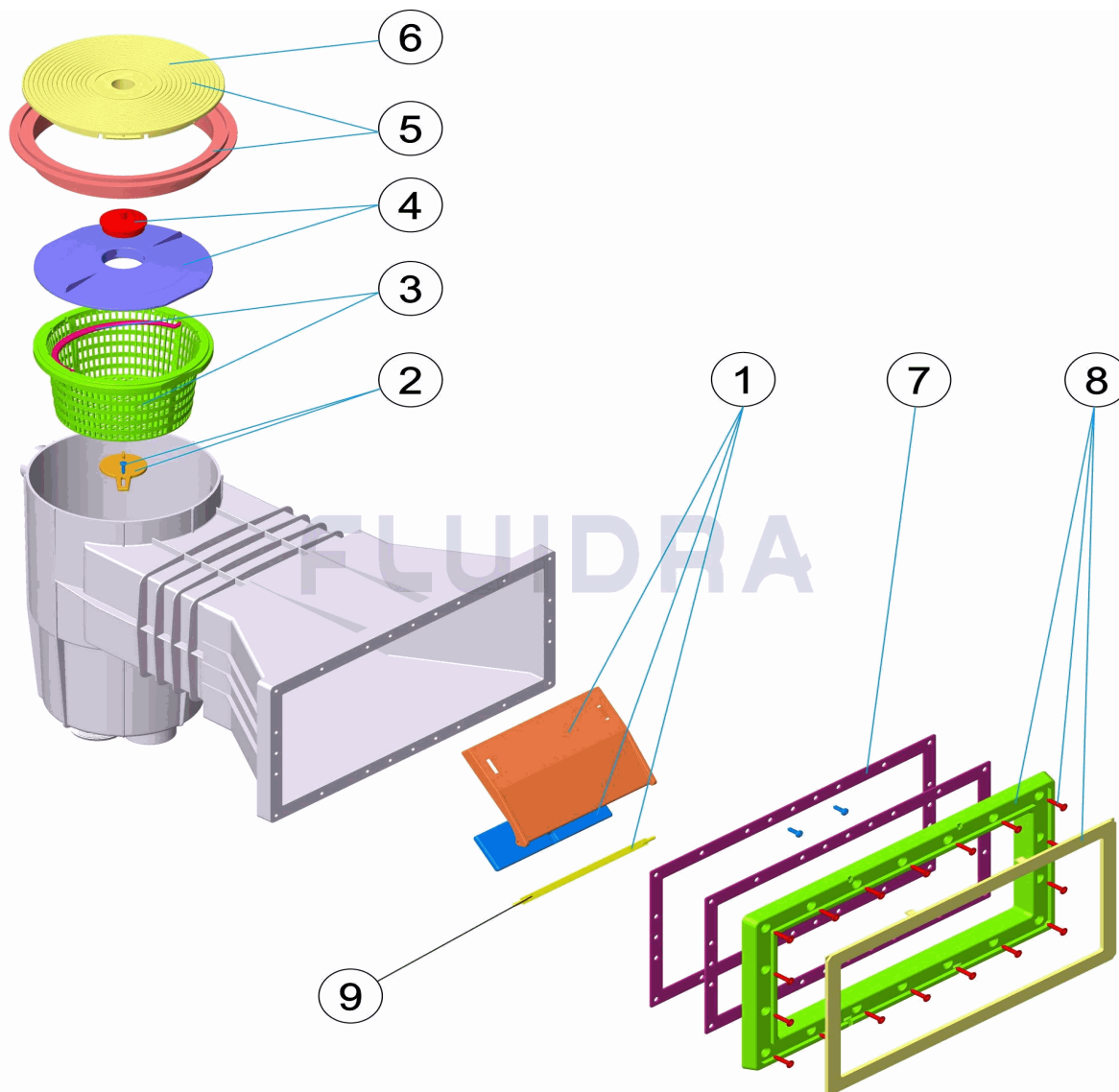


ITALIANO

POS	CODICE	DESCRIZIONE	QUANTITA'	POS	CODICE	DESCRIZIONE	QUANTITA'
1	44020101	BATTENTE SKIMMER CON PERNO		6	4402010108	COPERCHIO TONDO SKIMMER	
2	44020102	ALETTA PARZIALIZZATRICE SKIMMER		7	4402010407	GUARNIZIONE PER SKIMMER BOCCA A V P	
3	44020103	CESTELLO SKIMMER		8	4402010412	FLANGIA BOCCA SKIMMER PER PISCINA IN	
4	44020104	COPERCHIO CESTELLO SKIMMER CON TA		9	4402010110	CERNIERE BATTENTE	
5	44020105	COPERCHIO E CORNICE TONDA SKIMMER					

CODE 06468

BESCHREIBUNG: SKIMMER 15L PP EINLASS BREIT SCHRAUBE SELBSTBOHREND ABDE

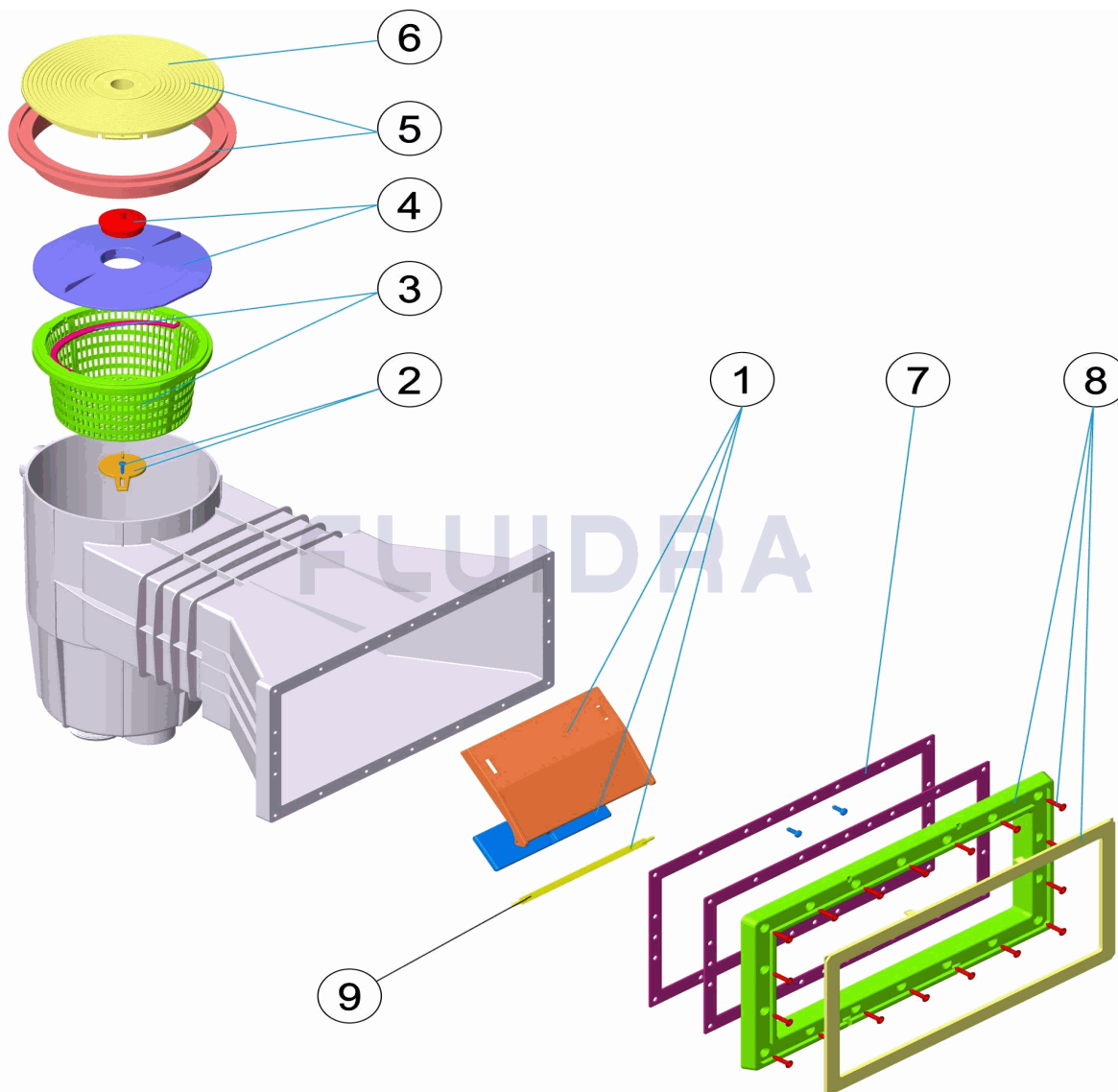


DEUTSCH

POS	CODE	BESCHREIBUNG	MENGE	POS	CODE	BESCHREIBUNG	MENGE
1	44020101	SKIMMERKLAPPE SCHARNIER		6	4402010108	ABDECKUNG RUND SKIMMER	
2	44020102	ABDECKKAPPE		7	4402010407	DICHTUNG SKIMMER GROSS FERTIGBECK	
3	44020103	SKIMMERKORB		8	4402010412	RAHMEN SKIMMEREINLASS FERTIGBECKE	
4	44020104	ABDECKUNG SKIMMKORB MIT STOPFEN		9	4402010110	SCHARNIER Klappe	
5	44020105	ABDECKUNG UND RING SKIMMER RUND					

CODIGO **06468**

DESCRIÇÃO: **SKIMMER 15 L PP B. LARGA TOR. AUTOR. TAMPA CIRCULAR**



PORTUGUES

POS	CODIGO	DESCRIÇÃO	JANTIDADE	POS	CODIGO	DESCRIÇÃO	JANTIDADE
1	4402010101	COMPORTA SKIMMER BISAGRA		6	4402010108	TAMPA CIRCULAR SKIMMER	
2	4402010102	CLAPETA SKIMMER		7	4402010407	JUNTA GRANDE DE SKIMMER	
3	4402010103	CESTO SKIMMER		8	4402010412	CAIXILHO BOCA SKIMMER (PARKER)	
4	4402010104	TAMPA CESTO SKIMMER		9	4402010110	DOBRADIÇA COMPORTA	
5	4402010105	TAMPA E ARO CIRCULAR SKIMMER					