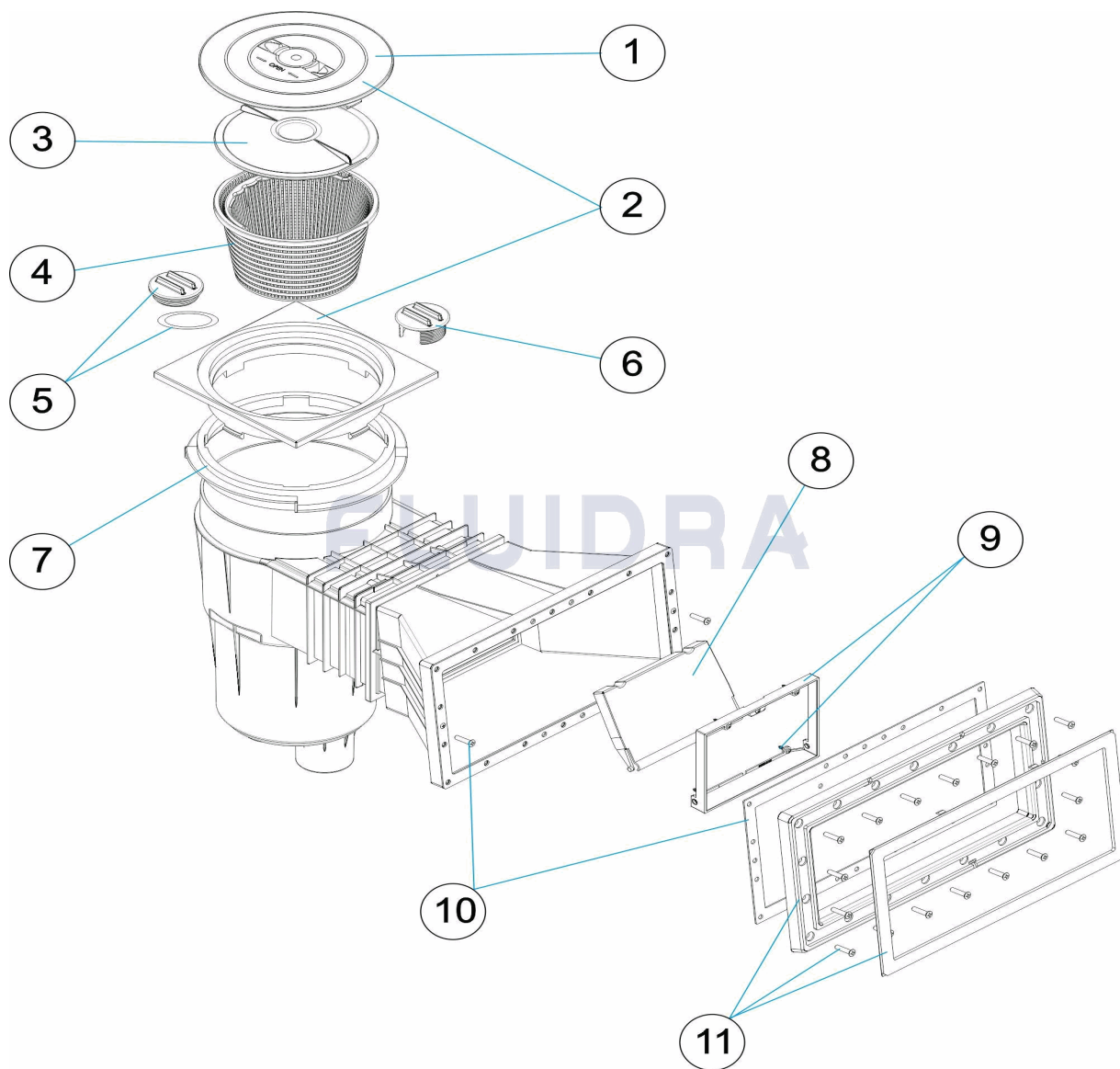


CODIGO **35665**

DESCRIPCION: **SKIMMER 17,5 LITROS 6° BOCA ANCHA**

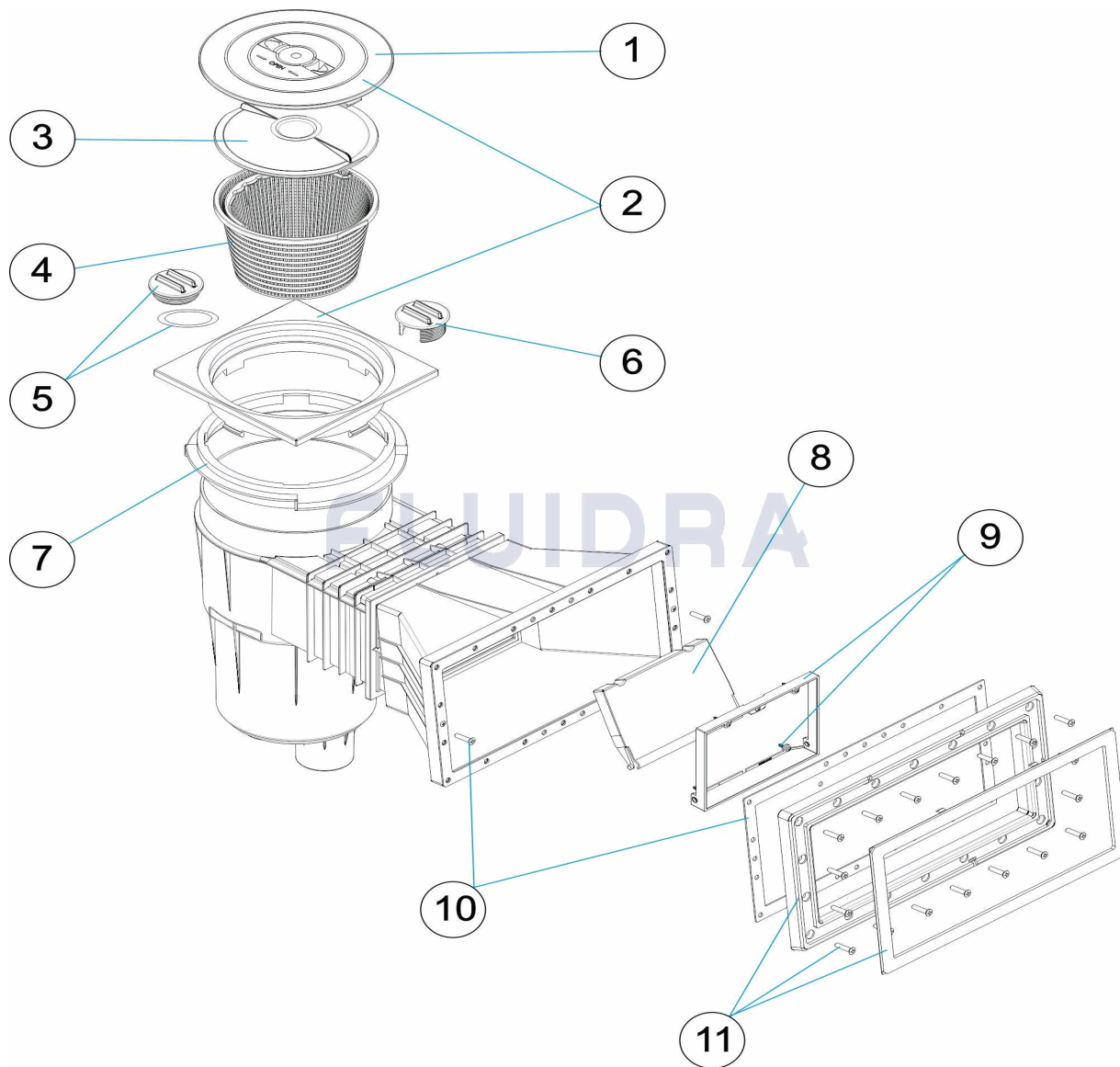


**ESPAÑOL**

| POS | CODIGO     | DESCRIPCION             | CANTIDAD | POS | CODIGO     | DESCRIPCION                 | CANTIDAD |
|-----|------------|-------------------------|----------|-----|------------|-----------------------------|----------|
| 1   | 4402010509 | TAPA SKIMMER            |          | 7   | 4402010506 | ANILLO DISTANCIADOR SKIMMER |          |
| 2   | 4402010510 | MARCO CUADRADO Y TAPA   |          | 8   | 4402010501 | COMPUERTA SKIMMER CON CLIP  |          |
| 3   | 4402010505 | TAPA CESTO SKIMMER      |          | 9   | 4402010508 | MARCO COMPUERTA SKIMMER     |          |
| 4   | 4402010504 | CESTO SKIMMER 17,5 LTS. |          | 10  | 4402014101 | JUNTA PISCINA PREFABRICADA  |          |
| 5   | 4402010503 | TAPON CON JUNTA         |          | 11  | 4402014102 | MARCO BOCA SKIMMER P.P.     |          |
| 6   | 4402010502 | TAPON REGULADOR         |          |     |            |                             |          |

CODE **35665**

DESCRIPTION: **SKIMMER 17,5 LITRES 6° OUVERTURE LARGE**

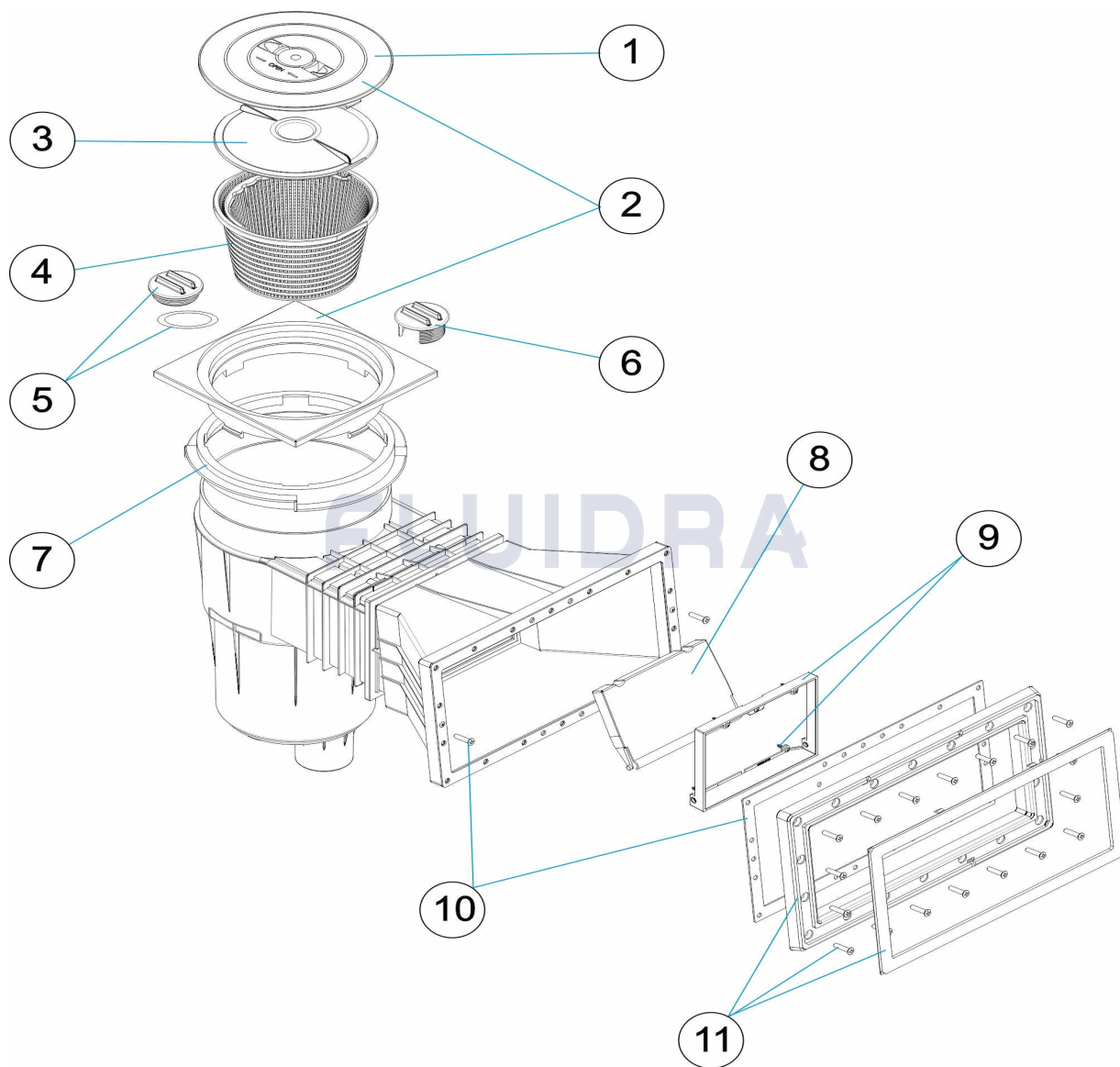


**FRANCAIS**

| POS | CODE       | DESCRIPTION                | QUANTITE | POS | CODE       | DESCRIPTION               | QUANTITE |
|-----|------------|----------------------------|----------|-----|------------|---------------------------|----------|
| 1   | 4402010509 | COUVERCLE ROND DE SKIMMER  |          | 7   | 4402010506 | CADRE REHAUSSE COUVERCLE  |          |
| 2   | 4402010510 | CADRE ET COUVERCLE ROND    |          | 8   | 4402010501 | VOLET DE SKIMMER          |          |
| 3   | 4402010505 | COUVERCLE PANIER SKIMMER   |          | 9   | 4402010508 | CADRE VOLET SKIMMER       |          |
| 4   | 4402010504 | PANIER SKIMMER 17,5 LTS    |          | 10  | 4402014101 | JOINT PISCINE LINER       |          |
| 5   | 4402010503 | BOUCHON SKIMMER AVEC JOINT |          | 11  | 4402014102 | CADRE BOUCHE SKIMMER P.P. |          |
| 6   | 4402010502 | BOUCHON REGULATEUR         |          |     |            |                           |          |

CODE **35665**

DESCRIPTION: **SKIMMER 17.5L 6. WIDE MOUTH**

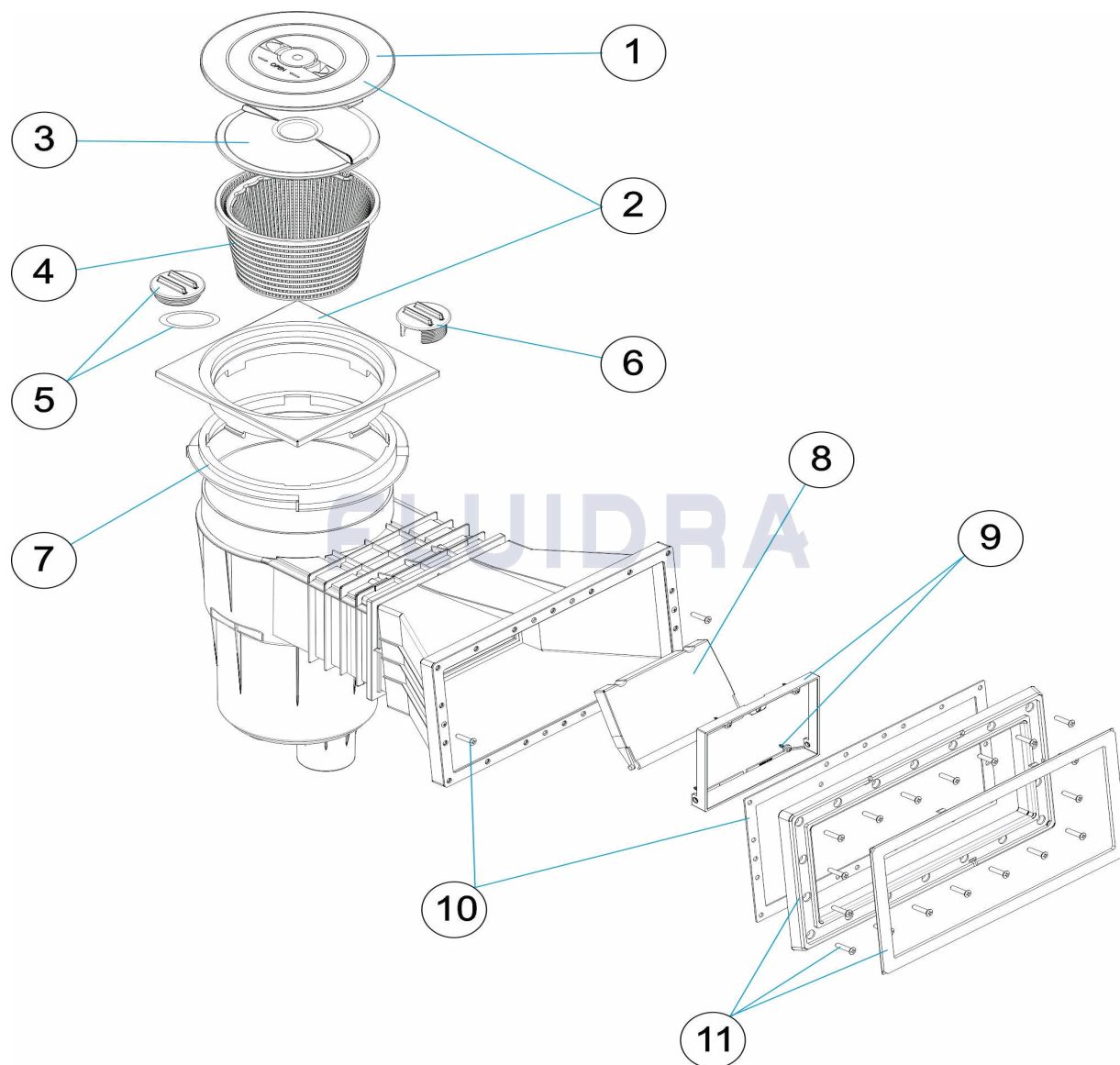


**ENGLISH**

| POS | CODE       | DESCRIPTION                | QUANTITY | POS | CODE       | DESCRIPTION           | QUANTITY |
|-----|------------|----------------------------|----------|-----|------------|-----------------------|----------|
| 1   | 4402010509 | SKIMMER LID                |          | 7   | 4402010506 | COLLAR EXTENSION RING |          |
| 2   | 4402010510 | SQUARE RIM AND LID         |          | 8   | 4402010501 | SKIMMER FLAP          |          |
| 3   | 4402010505 | VACUUM PLATE               |          | 9   | 4402010508 | FLAP FRAME            |          |
| 4   | 4402010504 | BASKET 17,5 LITRES         |          | 10  | 4402014101 | LINER POOL GASKET     |          |
| 5   | 4402010503 | BLANKING PLUG AND 'O' RING |          | 11  | 4402014102 | SKIMMER FRAME P.P.    |          |
| 6   | 4402010502 | REGULATING PLUG            |          |     |            |                       |          |

CODICE **35665**

DESCRIZIONE: **SKIMMER 17,5 LITRI 6° BOCCA LARGA**

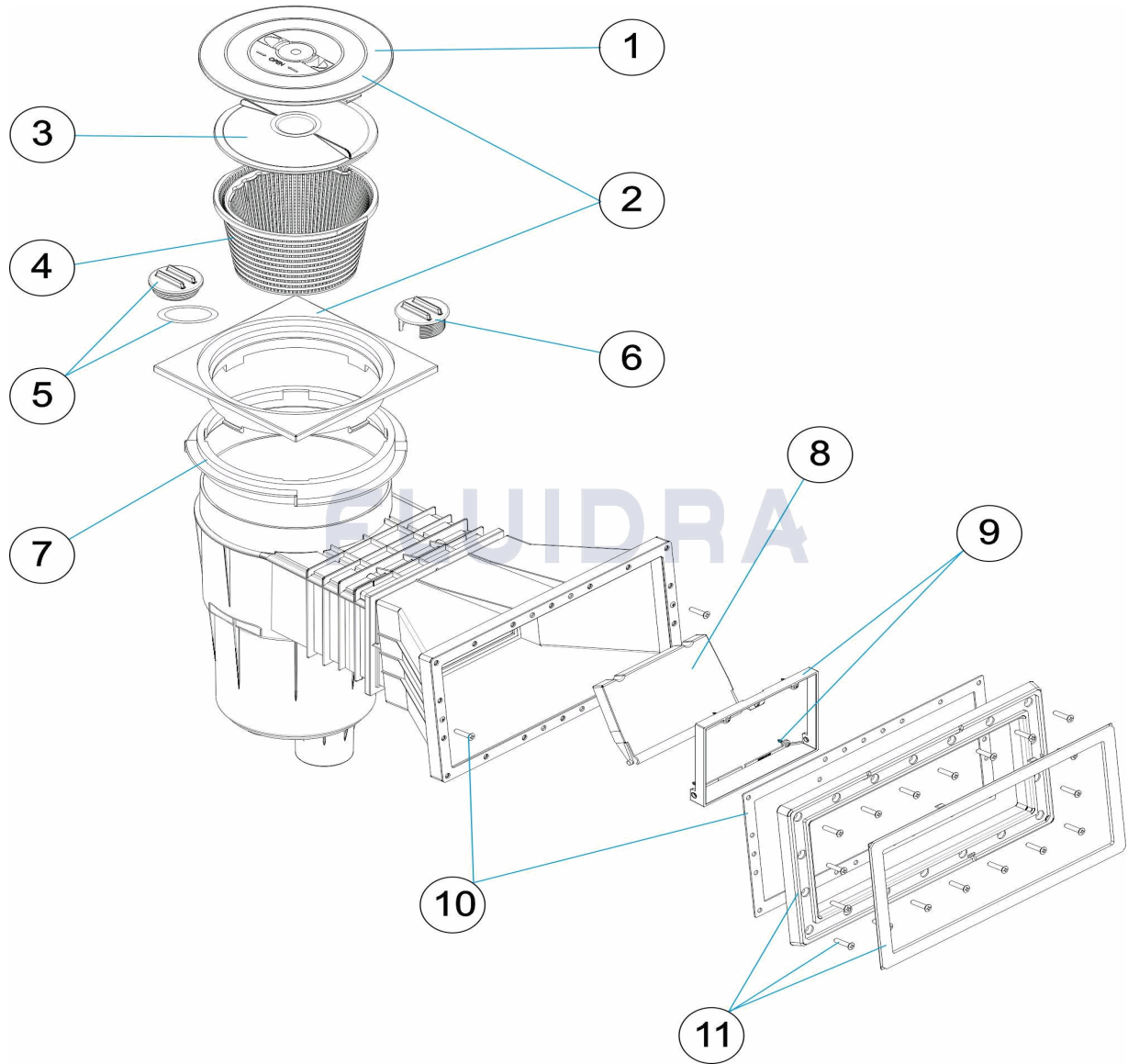


**ITALIANO**

| POS | CODICE     | DESCRIZIONE                    | QUANTITA' | POS | CODICE     | DESCRIZIONE                  | QUANTITA' |
|-----|------------|--------------------------------|-----------|-----|------------|------------------------------|-----------|
| 1   | 4402010509 | COPERCHIO SKIMMER              |           | 7   | 4402010506 | ANELLO DISTANZIATORE SKIMMER |           |
| 2   | 4402010510 | FLANGIA QUADRATA E COPERCHIO   |           | 8   | 4402010501 | BATTENTE SKIMMER CON CLIP    |           |
| 3   | 4402010505 | COPERCHIO CESTELLO SKIMMER     |           | 9   | 4402010508 | CORNICE BATTENTE SKIMMER     |           |
| 4   | 4402010504 | CESTELLO SKIMMER DA 17,5 LITRI |           | 10  | 4402014101 | GUARNIZIONE PISCINA PREF     |           |
| 5   | 4402010503 | TAPPO CON GUARNIZIONE          |           | 11  | 4402014102 | FLANGIA BOCCA SKIMMER P.P.   |           |
| 6   | 4402010502 | TAPPO DI REGOLAZIONE           |           |     |            |                              |           |

CODE **35665**

BESCHREIBUNG: **SKIMMER 17,5 L 6° BREITER EINLASS**

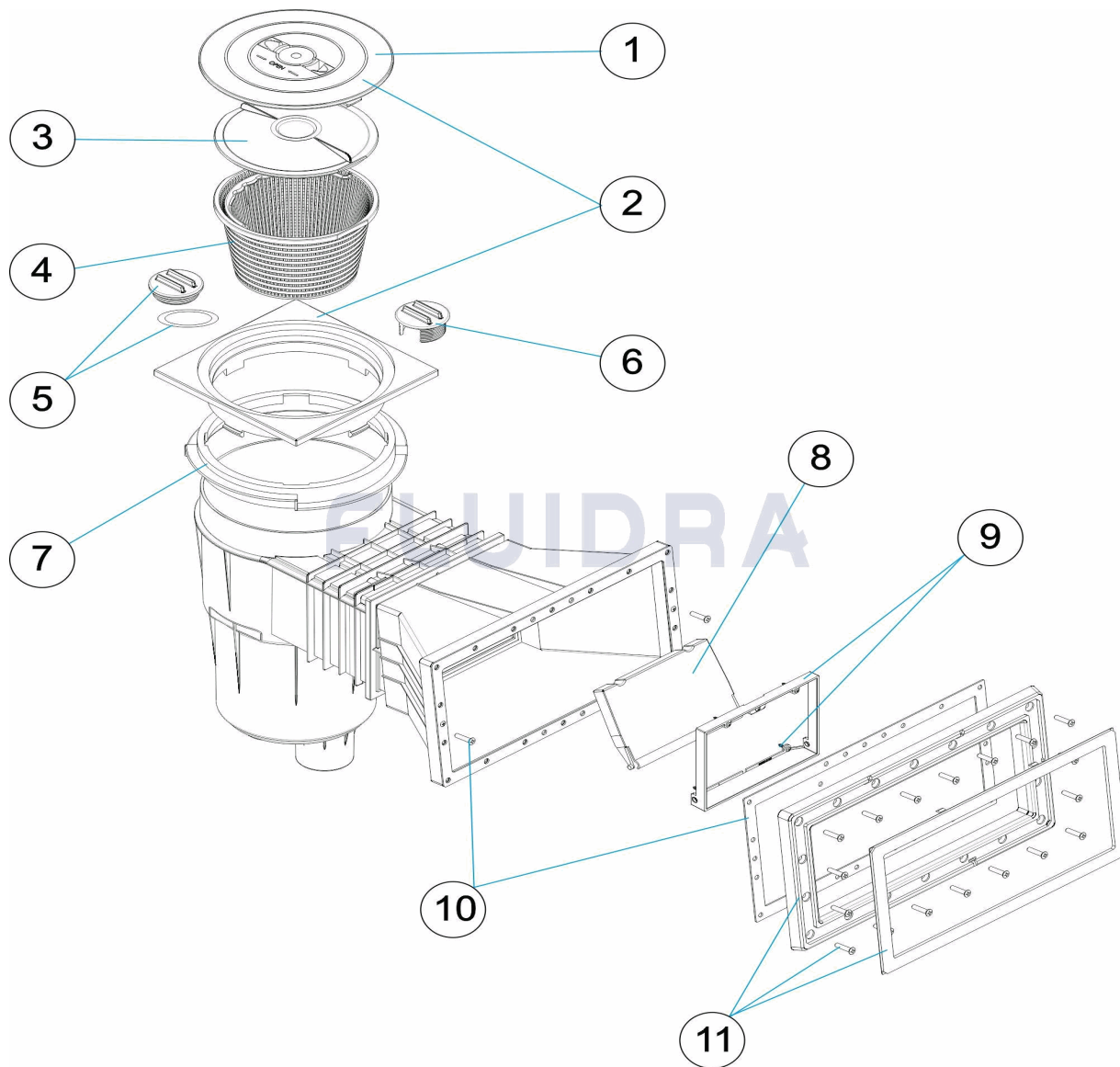


**DEUTSCH**

| POS | CODE       | BESCHREIBUNG                     | MENGE | POS | CODE       | BESCHREIBUNG                      | MENGE |
|-----|------------|----------------------------------|-------|-----|------------|-----------------------------------|-------|
| 1   | 4402010509 | SKIMMERDECKEL                    |       | 7   | 4402010506 | DISTANZRING SKIMMER               |       |
| 2   | 4402010510 | QUADRATISCHER RAHMEN UND ABDECKL |       | 8   | 4402010501 | SKIMMERKLAPPE MIT CLIP            |       |
| 3   | 4402010505 | ABDECKUNG SKIMMKORB              |       | 9   | 4402010508 | RAHMEN SKIMMERKLAPPE              |       |
| 4   | 4402010504 | SKIMMERKORB 17,5 L               |       | 10  | 4402014101 | DICHTUNG FERTIGBECKEN             |       |
| 5   | 4402010503 | STOPFEN UND DICHUNG              |       | 11  | 4402014102 | RAHMEN SKIMMEREINLASS FERTIGBECKE |       |
| 6   | 4402010502 | STOPFEN REGULIERUNG              |       |     |            |                                   |       |

CODIGO **35665**

DESCRIÇÃO: **SKIMMER 17,5 LITROS 6º BOCA LARGA**



**PORTUGUES**

| POS | CODIGO     | DESCRIÇÃO              | JANTIDADE | POS | CODIGO     | DESCRIÇÃO                        | JANTIDADE |
|-----|------------|------------------------|-----------|-----|------------|----------------------------------|-----------|
| 1   | 4402010509 | TAMPA SKIMMER          |           | 7   | 4402010506 | ANEL DISTANCIADOR SKIMMER        |           |
| 2   | 4402010510 | ARO QUADRADO E TAMPA   |           | 8   | 4402010501 | COMPORTA SKIMMER CLIP            |           |
| 3   | 4402010505 | TAMPA CESTO SKIMMER    |           | 9   | 4402010508 | CAIXILHO COMPORTA SKIMMER        |           |
| 4   | 4402010504 | CESTO SKIMMER 17,5 LTS |           | 10  | 4402014101 | JUNTA RALO PISCINA PRÉ-FABRICADA |           |
| 5   | 4402010503 | TAMPA COM JUNTA        |           | 11  | 4402014102 | CAIXILHO BOCA SKIMMER P.P.       |           |
| 6   | 4402010502 | TAMPA REGULADORA       |           |     |            |                                  |           |