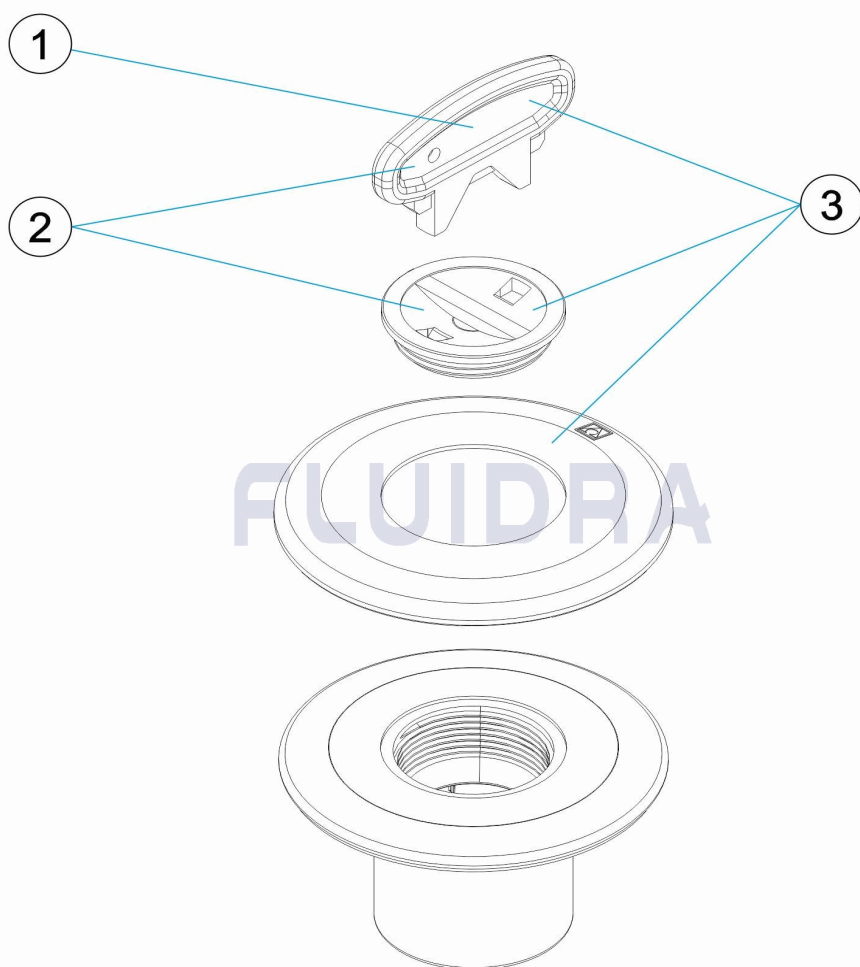


CODIGO **00300, 00300CL090, 00300CL129, 00300CL144**

DESCRIPCION: **BOQUILLA ASPIRACION P. HORM. ENCOLAR D. 63**



ESPAÑOL

POS	CODIGO	DESCRIPCION	CANTIDAD	POS	CODIGO	DESCRIPCION	CANTIDAD
1	4402040304	LLAVE BOQUILLA		3	* 4402040501	TAPON Y TAPETA BOQUILLA	
2	* 4402043101	TAPON BOQUILLA		3	* 4402040066	TAPON Y TAPETA BOQUILLA	
2	* 4402040063	TAPON BOQUILLA		3	* 4402040067	TAPON Y TAPETA BOQUILLA	
2	* 4402040064	TAPON BOQUILLA		3	* 4402040068	TAPON Y TAPETA BOQUILLA	
2	* 4402040065	TAPON BOQUILLA					

CODIGO 00300, 00300CL090, 00300CL129, 00300CL144

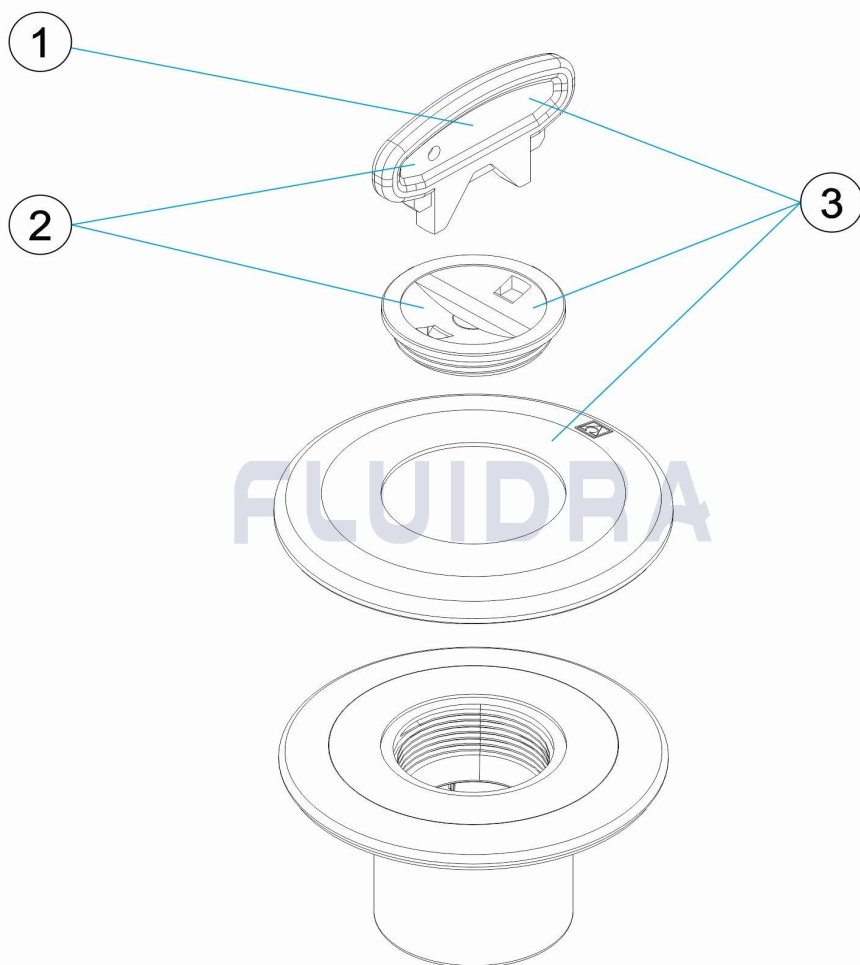
DESCRIPCION: BOQUILLA ASPIRACION P. HORM. ENCOLAR D. 63

OBSERVACIONES

POS	CODIGO	OBSERVACIONES
2	* 4402043101	PARA: 00300 WHITE
2	* 4402040063	PARA: 00300CL090 BEIGE
2	* 4402040064	PARA: 00300CL129 GREY
2	* 4402040065	PARA: 00300CL144 ANTHRACITE
3	* 4402040501	PARA: 00300 WHITE
3	* 4402040066	PARA: 00300CL090 BEIGE
3	* 4402040067	PARA: 00300CL129 GREY
3	* 4402040068	PARA: 00300CL144 ANTHRACITE

CODE **00300, 00300CL090, 00300CL129, 00300CL144**

DESCRIPTION: **BOUCHE ASPIRATION P. BÉTON ENCOLLER D. 63**



FRANCAIS

POS	CODE	DESCRIPTION	QUANTITE	POS	CODE	DESCRIPTION	QUANTITE
1	4402040304	CLEF POUR BUSE		3	* 4402040501	BOUCHON ET COLLERETTE	
2	* 4402043101	BOUCHON DE BOUCHE		3	* 4402040066	BOUCHON ET COLLERETTE	
2	* 4402040063	BOUCHON DE BOUCHE		3	* 4402040067	BOUCHON ET COLLERETTE	
2	* 4402040064	BOUCHON DE BOUCHE		3	* 4402040068	BOUCHON ET COLLERETTE	
2	* 4402040065	BOUCHON DE BOUCHE					

CODE **00300, 00300CL090, 00300CL129, 00300CL144**

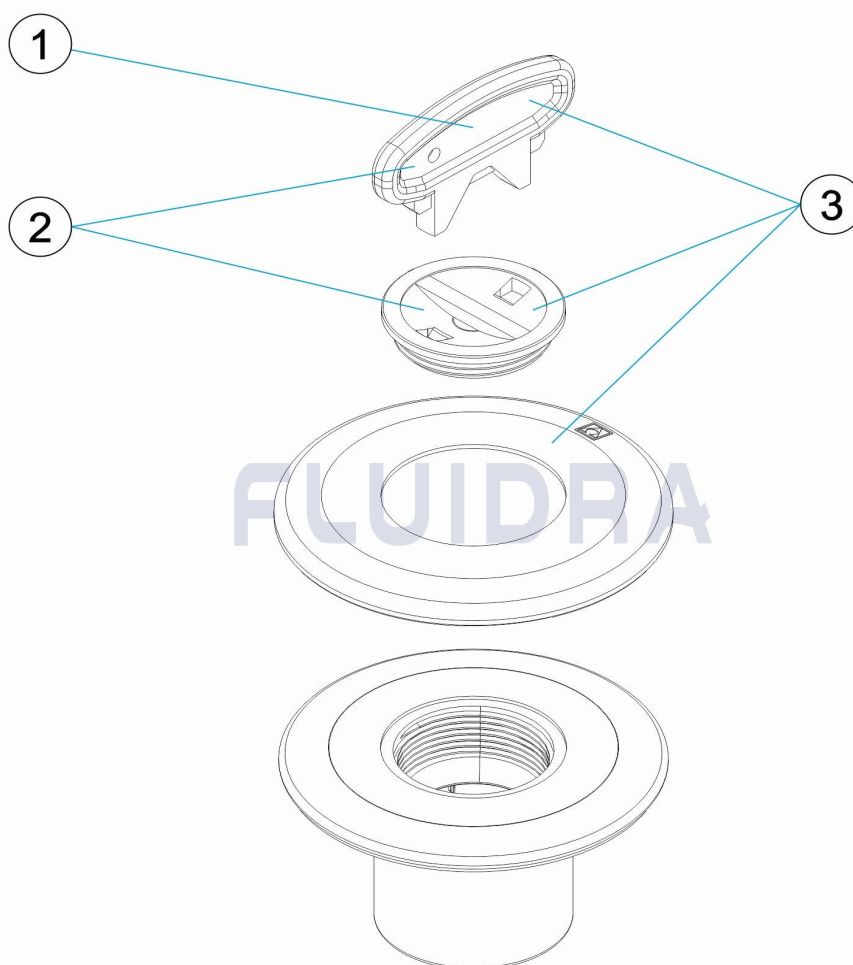
DESCRIPTION: **BOUCHE ASPIRATION P. BÉTON ENCOLLER D. 63**

OBSERVATIONS

POS	CODE	OBSERVATIONS
2	* 4402043101	POUR: 00300 WHITE
2	* 4402040063	POUR: 00300CL090 BEIGE
2	* 4402040064	POUR: 00300CL129 GREY
2	* 4402040065	POUR: 00300CL144 ANTHRACITE
3	* 4402040501	POUR: 00300 WHITE
3	* 4402040066	POUR: 00300CL090 BEIGE
3	* 4402040067	POUR: 00300CL129 GREY
3	* 4402040068	POUR: 00300CL144 ANTHRACITE

CODE **00300, 00300CL090, 00300CL129, 00300CL144**

DESCRIPTION: **SOLVENT-SEAL SUCTION NOZZLE CONCRETE POOL D. 63**



ENGLISH

POS	CODE	DESCRIPTION	QUANTITY	POS	CODE	DESCRIPTION	QUANTITY
1	4402040304	KEY FOR INLET		3	* 4402040501	INLET COVER PLATE + CAP	
2	* 4402043101	INLET CAP		3	* 4402040066	INLET COVER PLATE + CAP	
2	* 4402040063	INLET CAP		3	* 4402040067	INLET COVER PLATE + CAP	
2	* 4402040064	INLET CAP		3	* 4402040068	INLET COVER PLATE + CAP	
2	* 4402040065	INLET CAP					

CODE **00300, 00300CL090, 00300CL129, 00300CL144**

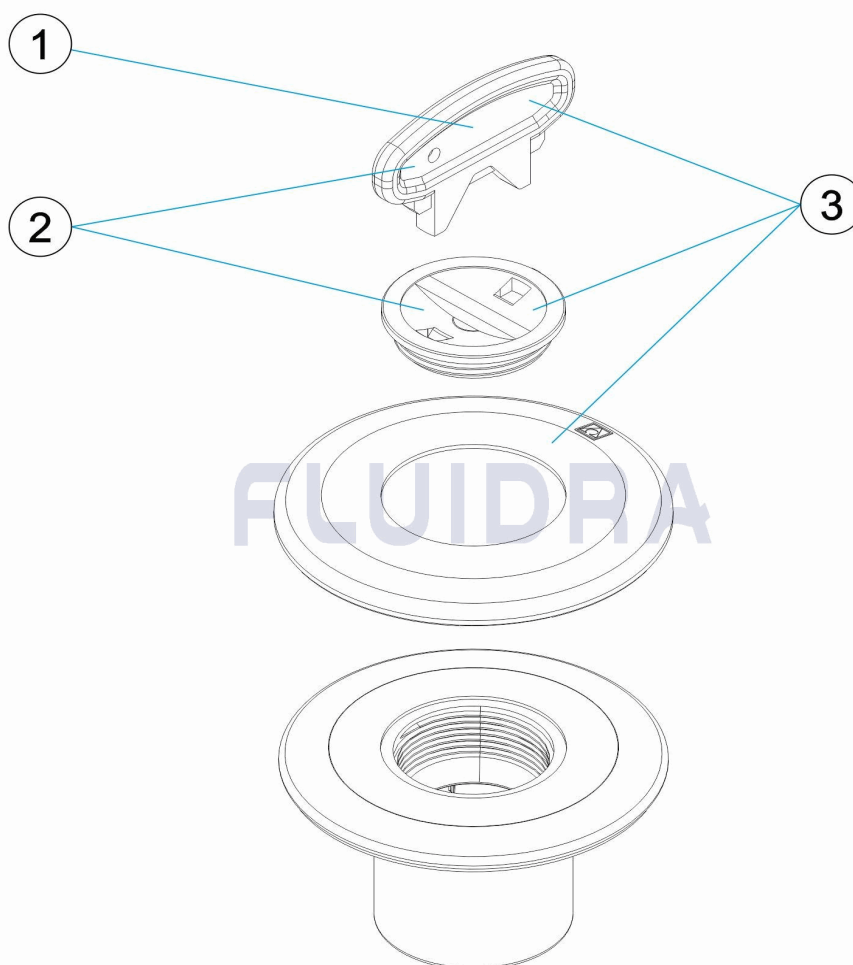
DESCRIPTION: **SOLVENT-SEAL SUCTION NOZZLE CONCRETE POOL D. 63**

OBSERVATIONS

POS	CODE	OBSERVATIONS
2	* 4402043101	FOR: 00300 WHITE
2	* 4402040063	FOR: 00300CL090 BEIGE
2	* 4402040064	FOR: 00300CL129 GREY
2	* 4402040065	FOR: 00300CL144 ANTHRACITE
3	* 4402040501	FOR: 00300 WHITE
3	* 4402040066	FOR: 00300CL090 BEIGE
3	* 4402040067	FOR: 00300CL129 GREY
3	* 4402040068	FOR: 00300CL144 ANTHRACITE

CODICE **00300, 00300CL090, 00300CL129, 00300CL144**

DESCRIZIONE: **BOCCHETTA ASPIRAZIONE PISCINA CEMENTO INCOLLARE D. 63**



ITALIANO

POS	CODICE	DESCRIZIONE	QUANTITA'	POS	CODICE	DESCRIZIONE	QUANTITA'
1	4402040304	CHIAVE		3	* 4402040501	TAPPO E COPERCHIETTO BOCCHETTA	
2	* 4402043101	COPERCHIO BOCCHETTA		3	* 4402040066	TAPPO E COPERCHIETTO BOCCHETTA	
2	* 4402040063	COPERCHIO BOCCHETTA		3	* 4402040067	TAPPO E COPERCHIETTO BOCCHETTA	
2	* 4402040064	COPERCHIO BOCCHETTA		3	* 4402040068	TAPPO E COPERCHIETTO BOCCHETTA	
2	* 4402040065	COPERCHIO BOCCHETTA					

CODICE 00300, 00300CL090, 00300CL129, 00300CL144

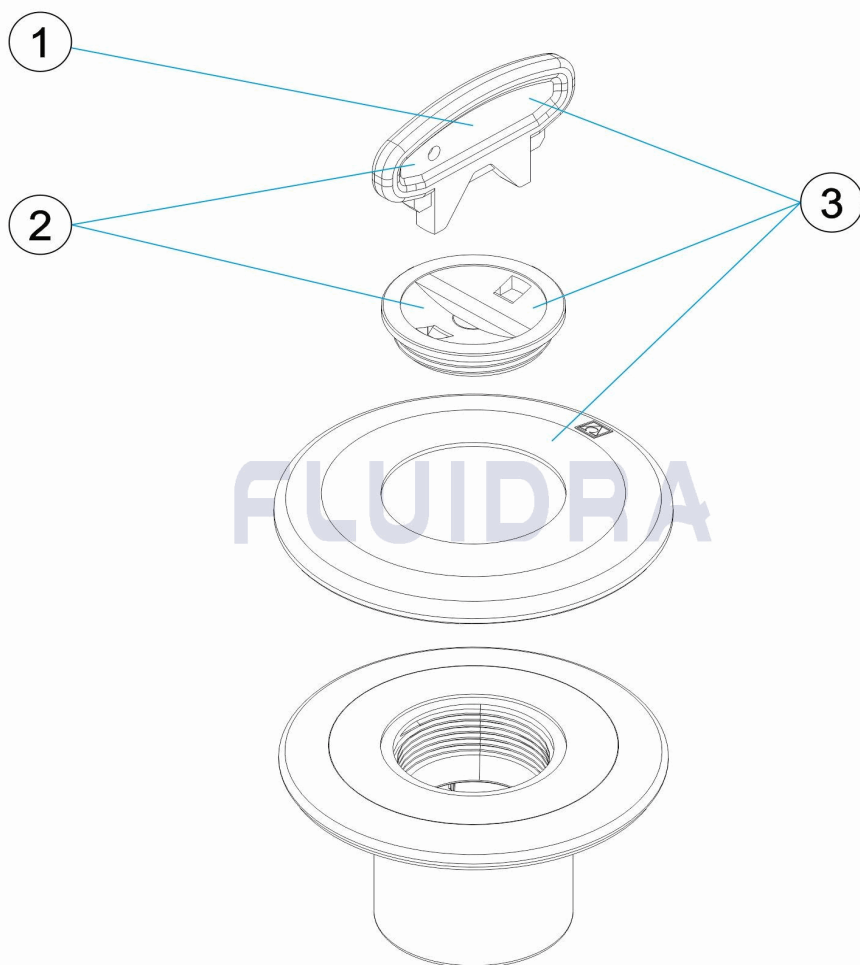
DESCRIZIONE: BOCCHETTA ASPIRAZIONE PISCINA CEMENTO INCOLLARE D. 63

OSSERVAZIONI

POS	CODICE	OSSERVAZIONI
2	* 4402043101	PER: 00300 WHITE
2	* 4402040063	PER: 00300CL090 BEIGE
2	* 4402040064	PER: 00300CL129 GREY
2	* 4402040065	PER: 00300CL144 ANTHRACITE
3	* 4402040501	PER: 00300 WHITE
3	* 4402040066	PER: 00300CL090 BEIGE
3	* 4402040067	PER: 00300CL129 GREY
3	* 4402040068	PER: 00300CL144 ANTHRACITE

CODE **00300, 00300CL090, 00300CL129, 00300CL144**

BESCHREIBUNG: **ANSAUGDÜSE BETONBECKEN KLEBEN D. 63**



DEUTSCH

POS	CODE	BESCHREIBUNG	MENGE	POS	CODE	BESCHREIBUNG	MENGE
1	4402040304	SCHLÜSSEL DÜSE		3	* 4402040501	STOPFEN UND ABSCHLUSSPLATTE DÜSE	
2	* 4402043101	STOPFEN DÜSE		3	* 4402040066	STOPFEN UND ABSCHLUSSPLATTE DÜSE	
2	* 4402040063	STOPFEN DÜSE		3	* 4402040067	STOPFEN UND ABSCHLUSSPLATTE DÜSE	
2	* 4402040064	STOPFEN DÜSE		3	* 4402040068	STOPFEN UND ABSCHLUSSPLATTE DÜSE	
2	* 4402040065	STOPFEN DÜSE					

CODE **00300, 00300CL090, 00300CL129, 00300CL144**

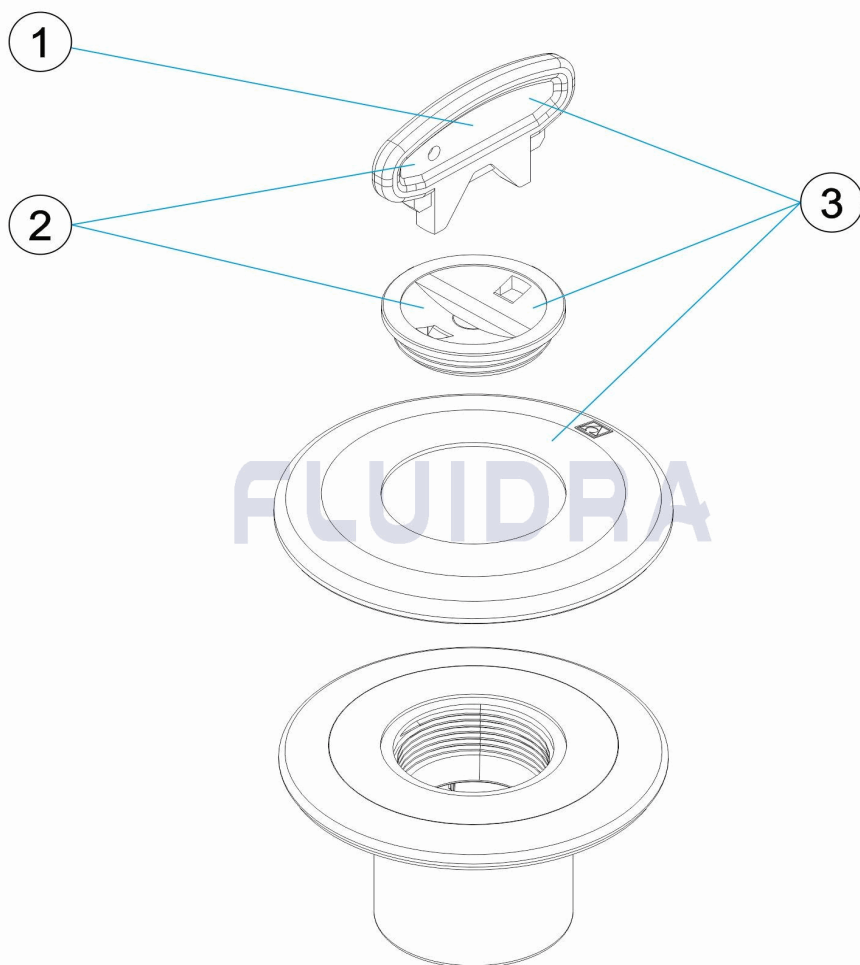
BESCHREIBUNG: **ANSAUGDÜSE BETONBECKEN KLEBEN D. 63**

HINWEISE

POS	CODE	HINWEISE
2	* 4402043101	FÜR: 00300 WHITE
2	* 4402040063	FÜR: 00300CL090 BEIGE
2	* 4402040064	FÜR: 00300CL129 GREY
2	* 4402040065	FÜR: 00300CL144 ANTHRACITE
3	* 4402040501	FÜR: 00300 WHITE
3	* 4402040066	FÜR: 00300CL090 BEIGE
3	* 4402040067	FÜR: 00300CL129 GREY
3	* 4402040068	FÜR: 00300CL144 ANTHRACITE

CODIGO **00300, 00300CL090, 00300CL129, 00300CL144**

DESCRIÇÃO: **BOQUILHA ASPIRAÇÃO P. BETÃO UNIR D. 63**



PORTUGUES

POS	CODIGO	DESCRIÇÃO	JANTIDADE	POS	CODIGO	DESCRIÇÃO	JANTIDADE
1	4402040304	CHAVE BOCA		3	* 4402040501	TAMPÃO DE BOCA	
2	* 4402043101	TAMPÃO BOCA		3	* 4402040066	TAMPÃO DE BOCA	
2	* 4402040063	TAMPÃO BOCA		3	* 4402040067	TAMPÃO DE BOCA	
2	* 4402040064	TAMPÃO BOCA		3	* 4402040068	TAMPÃO DE BOCA	
2	* 4402040065	TAMPÃO BOCA					

CODIGO 00300, 00300CL090, 00300CL129, 00300CL144

DESCRIÇÃO: BOQUILHA ASPIRAÇÃO P. BETÃO UNIR D. 63

OBSERVAÇÕES

POS	CODIGO	OBSERVAÇÕES
2	* 4402043101	PARA: 00300 WHITE
2	* 4402040063	PARA: 00300CL090 BEIGE
2	* 4402040064	PARA: 00300CL129 GREY
2	* 4402040065	PARA: 00300CL144 ANTHRACITE
3	* 4402040501	PARA: 00300 WHITE
3	* 4402040066	PARA: 00300CL090 BEIGE
3	* 4402040067	PARA: 00300CL129 GREY
3	* 4402040068	PARA: 00300CL144 ANTHRACITE