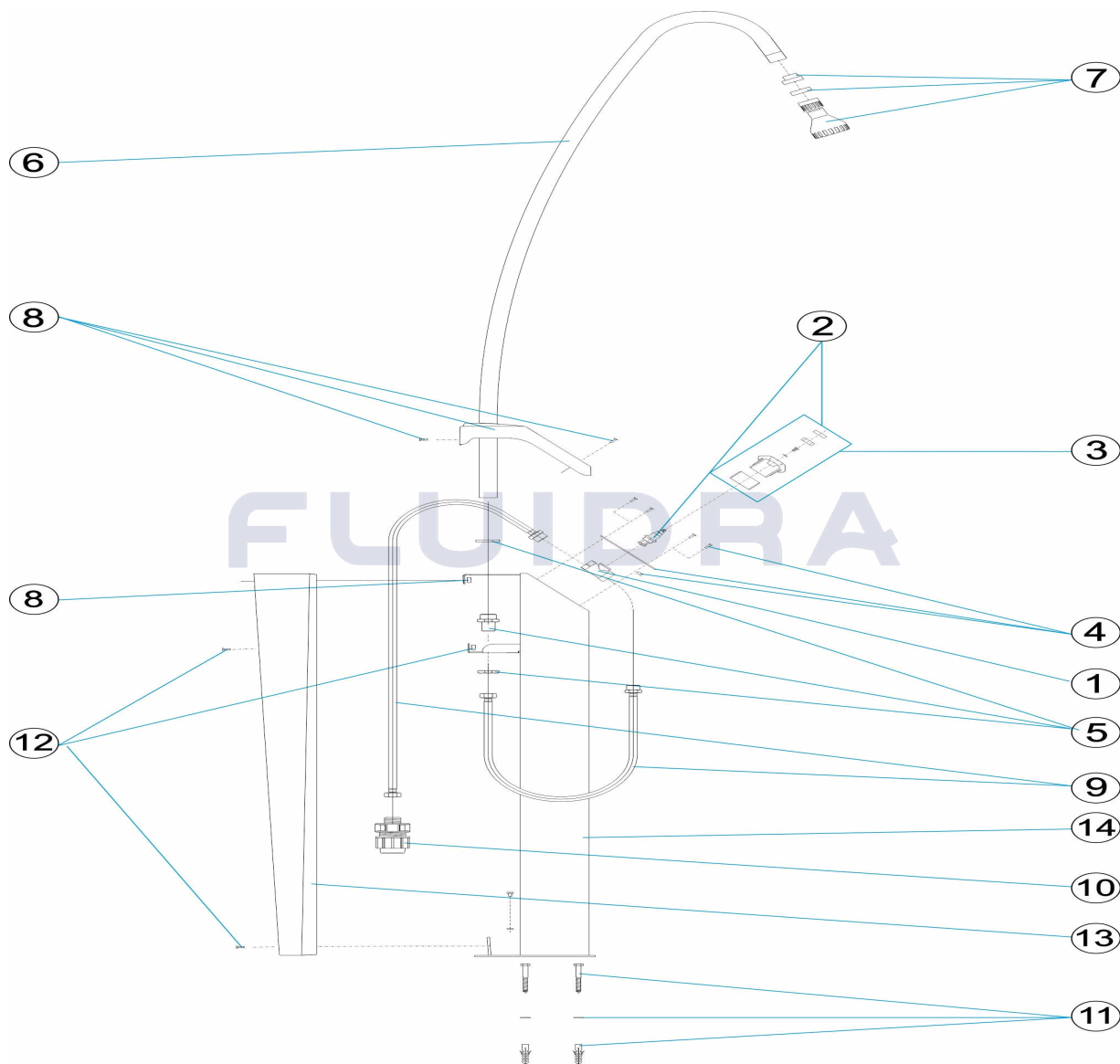


CODIGO **25336**

DESCRIPCION: **DUCHA LUXE POMO PLASTICO**

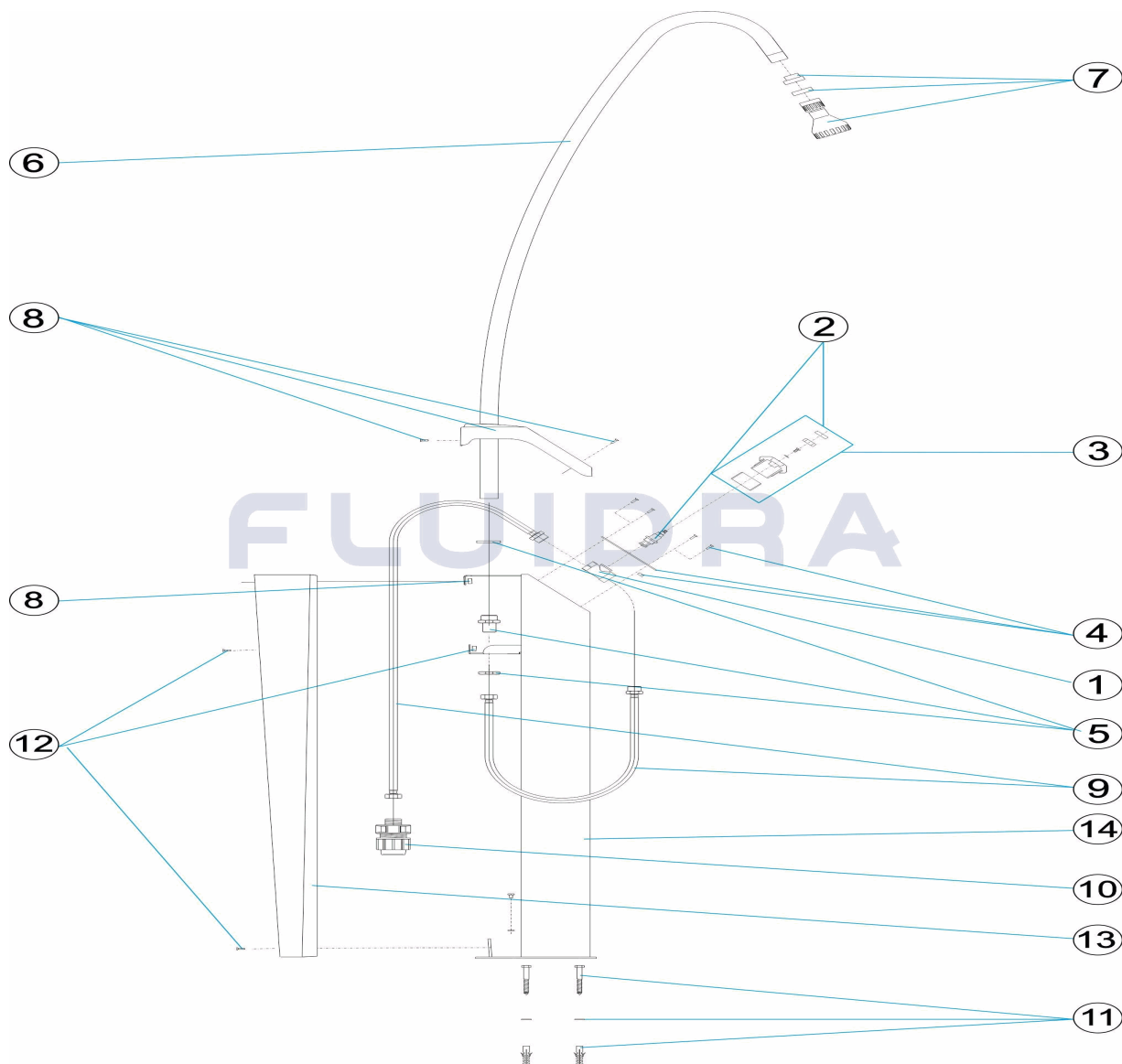


ESPAÑOL

POS	CODIGO	DESCRIPCION	CANTIDAD	POS	CODIGO	DESCRIPCION	CANTIDAD
1	4401040101	CUERPO VALVULA	8	4401042207	TAPA EMBELLECEDORA		
2	4401040102	POMO PLASTICO + EJE	9	4401042208	FLEXO MACHO-HEMBRA 1/2"		
3	4401040103	POMO PLASTICO	10	4401042209	ENLACE		
4	4401042404	SOPORTE GRIFO	11	4401041204	SUJECION DUCHA		
5	4401042204	CONECTOR BRAZO	12	4401042212	TORNILLERIA FIJACION TAPA		
6	4401042205	BRAZO DUCHA	13	25334R0200	TAPA POSTERIOR		
7	4401040104	PIÑA DUCHA	14	25334R0100	CUERPO FRONTAL		

CODE **25336**

DESCRIPTION: **DOUCHE LUXE POMMEAU PLASTIQUE**

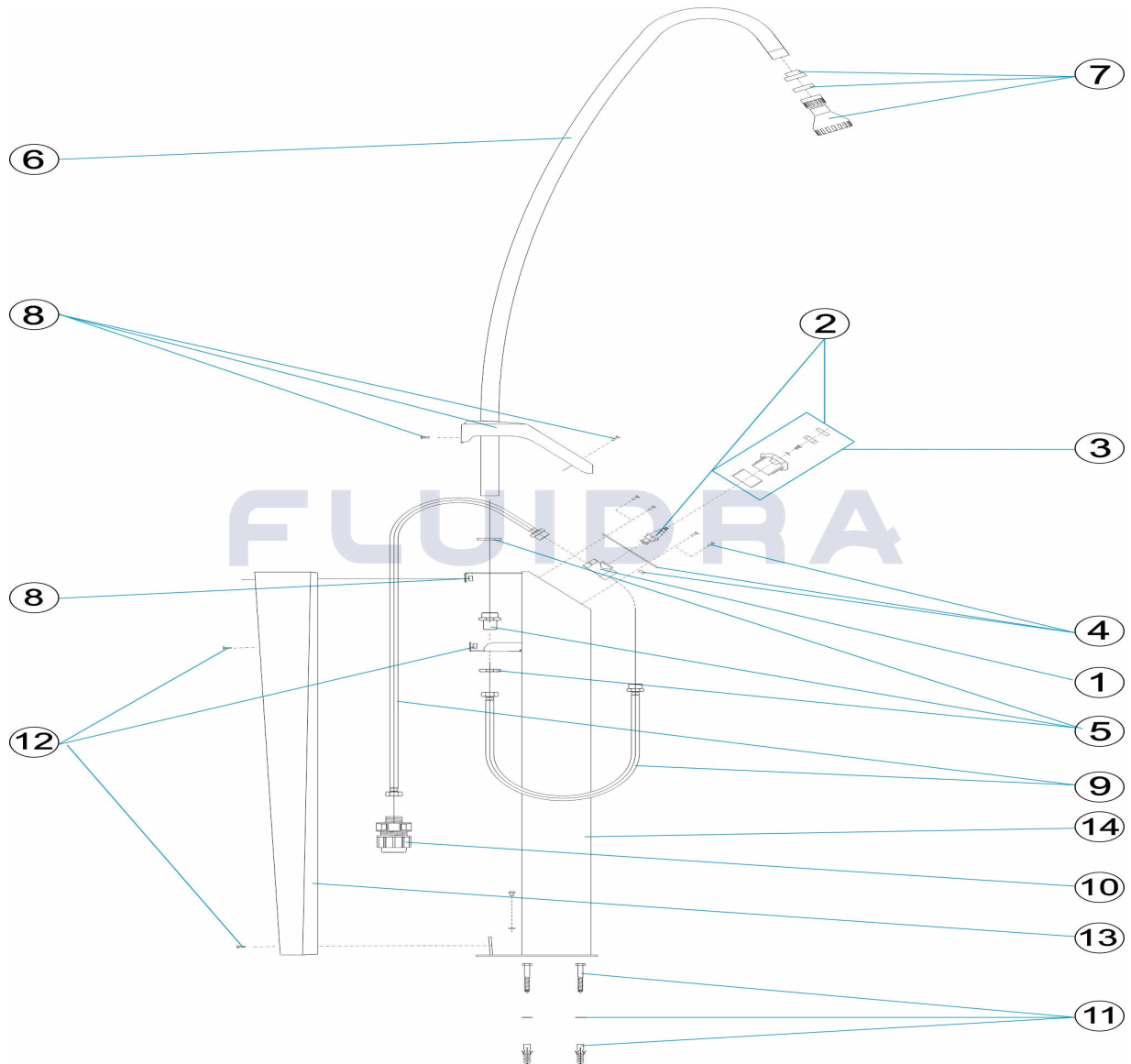


FRANCAIS

POS	CODE	DESCRIPTION	QUANTITE	POS	CODE	DESCRIPTION	QUANTITE
1	4401040101	TE ROBINET DE DOUCHE	8	4401042207	COUVERCLE ENJOLIVEUR		
2	4401040102	ROBINET PLASTIQUE + AXE	9	4401042208	FLEXIBLE MALE-FEMELLE 1/2"		
3	4401040103	ROBINET PLASTIQUE	10	4401042209	UNION		
4	4401042404	SUPPORT ROBINET	11	4401041204	VISSERIE DE DOUCHE		
5	4401042204	CONNECTEUR BRAS	12	4401042212	VISSERIE FIXATION COUVERCLE		
6	4401042205	BRAS DE DOUCHEBRAS DE DOUCHE	13	25334R0200	COUVERCLE ARRIERE		
7	4401040104	POMMEAU DE DOUCHE	14	25334R0100	CORPS FRONTAL		

CODE **25336**

DESCRIPTION: **LUXE SHOWER PLASTIC HANDLE**

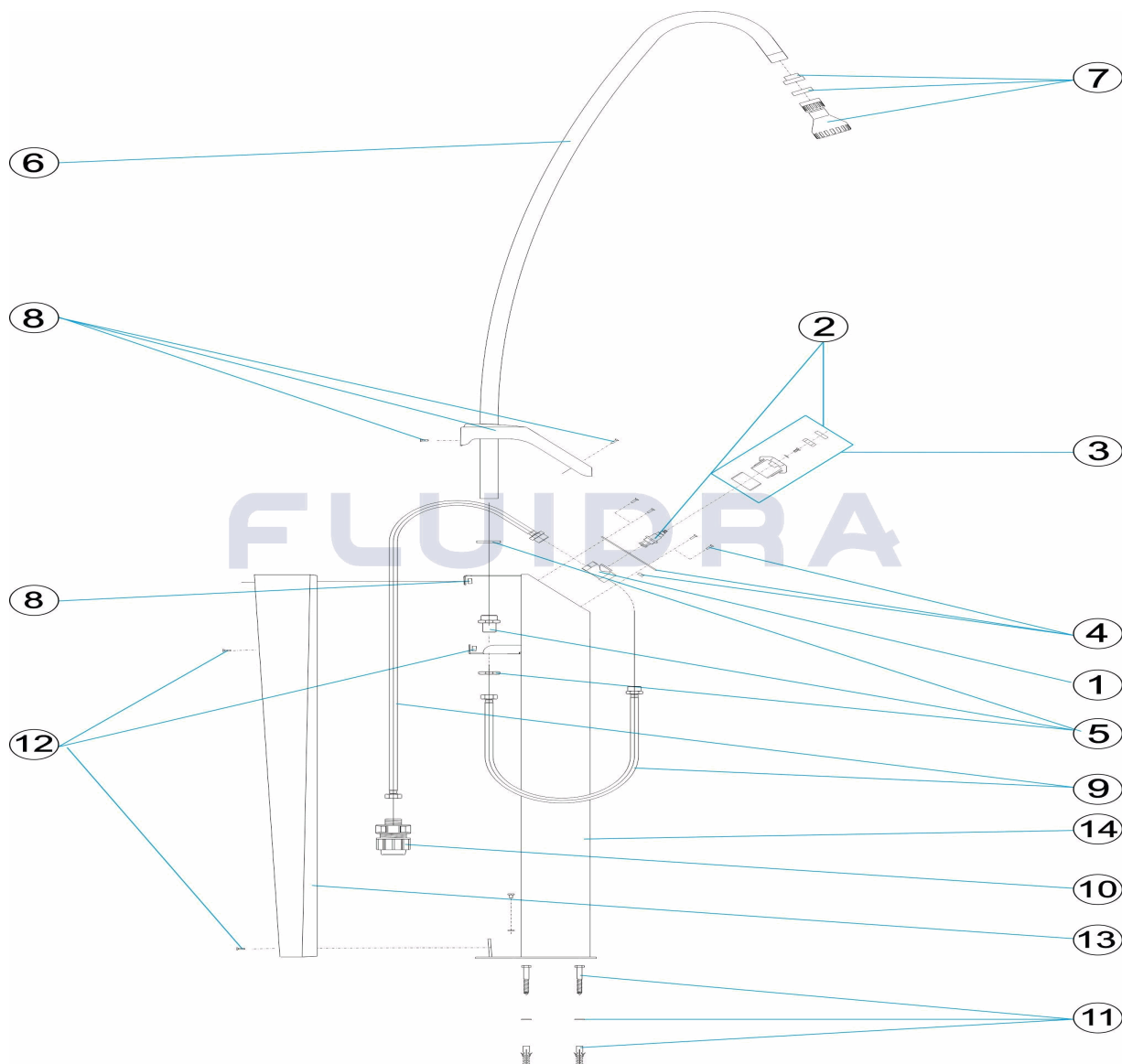


ENGLISH

POS	CODE	DESCRIPTION	QUANTITY	POS	CODE	DESCRIPTION	QUANTITY
1	4401040101	VALVE SOCKET		8	4401042207	TRIM COVER	
2	4401040102	PLASTIC HANDLE + PIN		9	4401042208	FLEXIBLE HOSE MALE-FEMALE 1/2"	
3	4401040103	VALVE HANDLE		10	4401042209	FITTING	
4	4401042404	TAP SUPPORT		11	4401041204	SHOWER SUPPORT	
5	4401042204	ARM CONNECTOR		12	4401042212	LID ANCHOR BOLTS	
6	4401042205	SHOWER ARM		13	25334R0200	REAR COVER	
7	4401040104	SHOWER HEAD		14	25334R0100	FRONT PANEL	

CODICE **25336**

DESCRIZIONE: **DOCCIA LUXE POMELLO PLASTICO**

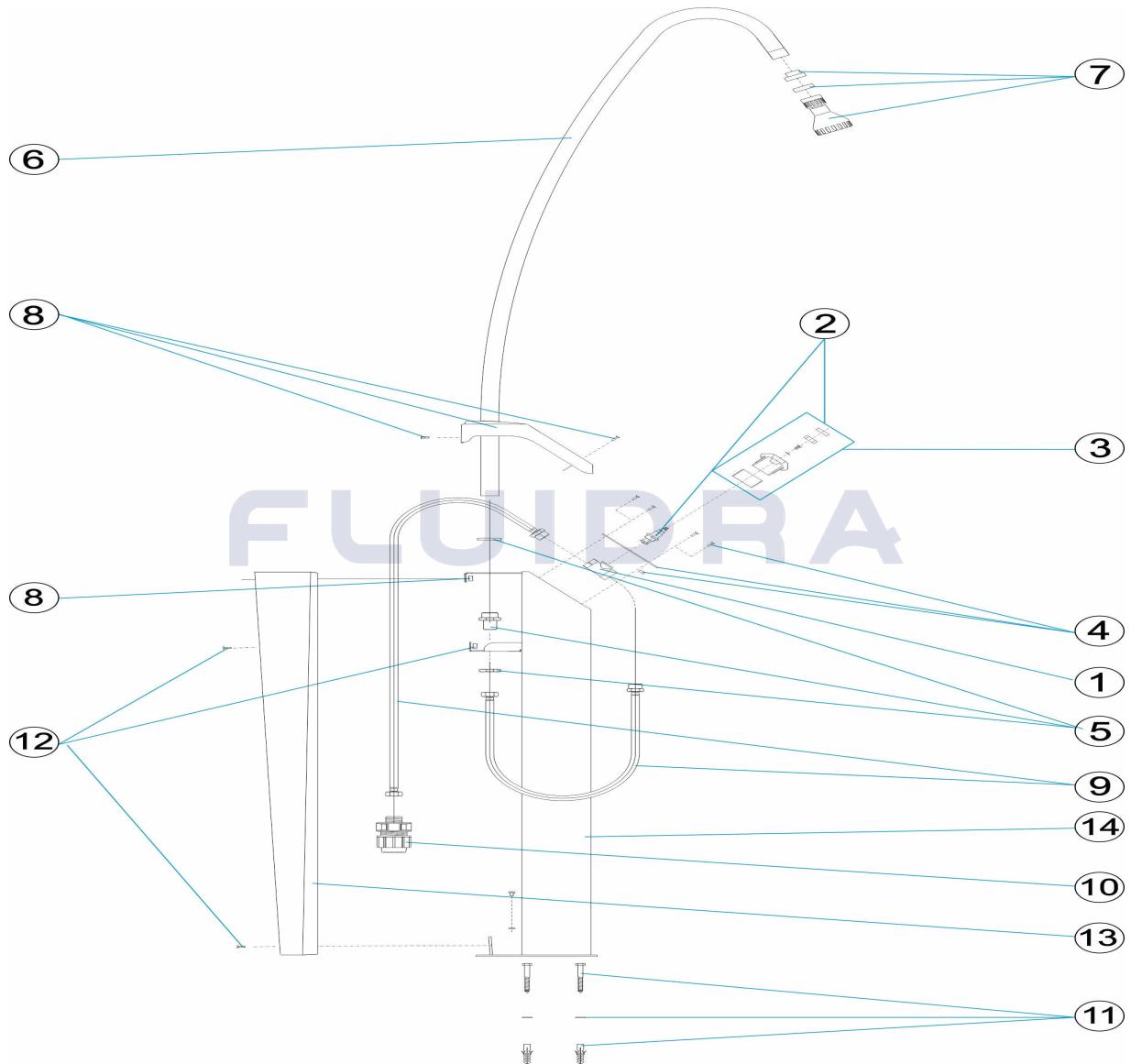


ITALIANO

POS	CODICE	DESCRIZIONE	QUANTITA'	POS	CODICE	DESCRIZIONE	QUANTITA'
1	4401040101	CORPO VALVOLA		8	4401042207	COPERCHIO ORNAMENTALE	
2	4401040102	POMELLO + ASSE VALVOLA		9	4401042208	FLESSIBILE MASCHIO-FEMMINA 1/2"	
3	4401040103	POMELLO IN PLASTICA		10	4401042209	UNIONE	
4	4401042404	SUPPORTO RUBINETTO		11	4401041204	FISSAGGIO DOCCIA	
5	4401042204	CONNETTORE BRACCIO		12	4401042212	BULLONERIA FISSAGGIO COPERCHIO	
6	4401042205	BRACCIO DOCCIA		13	25334R0200	COPERCHIO POSTERIORE	
7	4401040104	DIFFUSORE DOCCIA		14	25334R0100	CORPO FRONTALE	

CODE **25336**

BESCHREIBUNG: **DUSCHE LUXE DREHGRIFF KUNSTSTOFF**

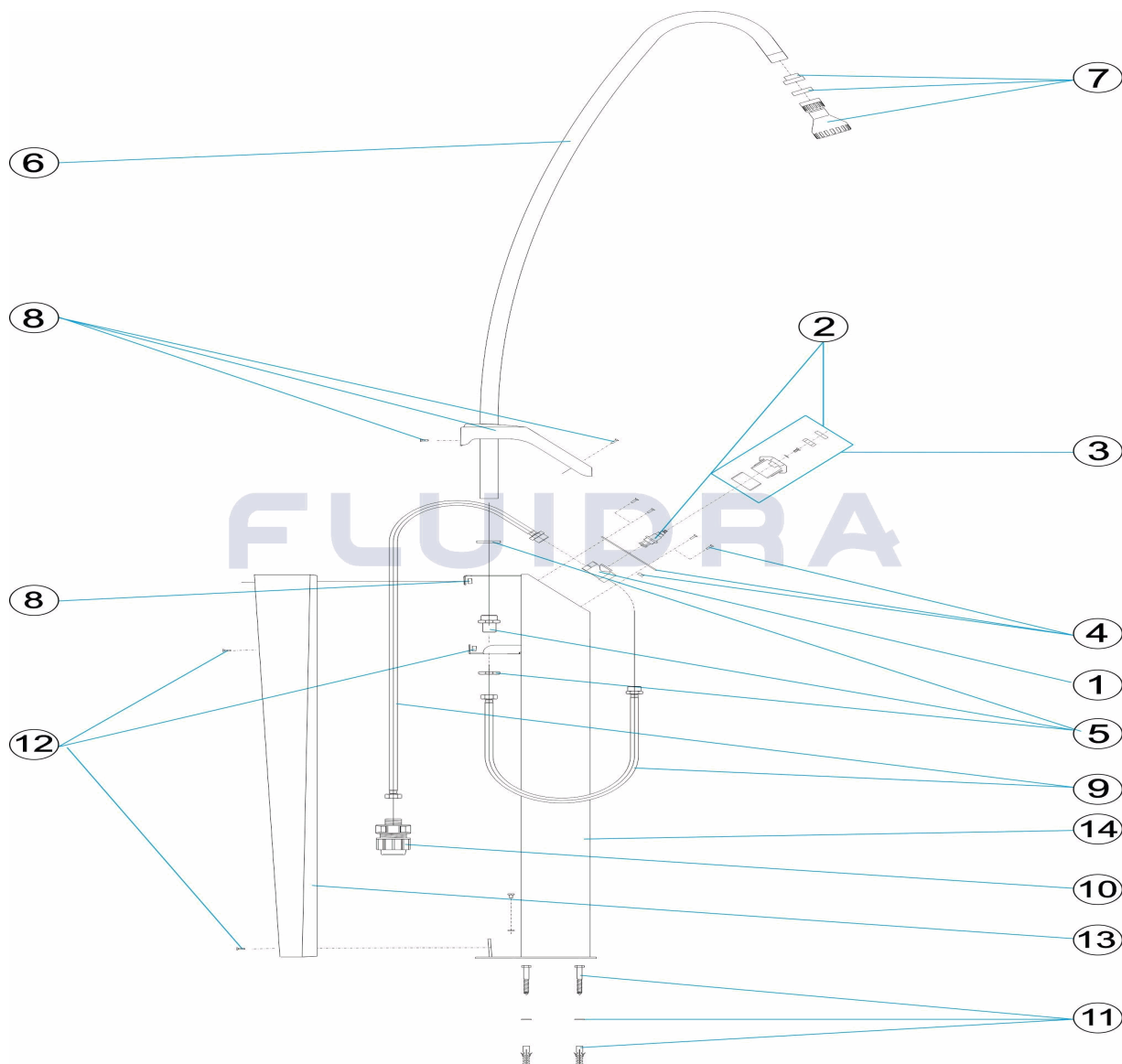


DEUTSCH

POS	CODE	BESCHREIBUNG	MENGE	POS	CODE	BESCHREIBUNG	MENGE
1	4401040101	GEHÄUSE VENTIL		8	4401042207	ZIERDECKEL	
2	4401040102	DREHGRIFF KUNSTSTOFF MIT AchSE		9	4401042208	FLEXSCHLAUCH NIPPEL - MUFFE 1/2"	
3	4401040103	DREHGRIFF KUNSTSTOFF		10	4401042209	ANSCHLUSS	
4	4401042404	HALTERUNG WASSERHAHN		11	4401041204	BEFESTIGUNG DUSCHE	
5	4401042204	STECKKUPPLUNG SCHLITZROHR		12	4401042212	FIXIERSCHRAUBEN ABDECKUNG	
6	4401042205	DUSCHARM		13	25334R0200	ABDECKUNG HINTEN	
7	4401040104	DUSCHKOPF		14	25334R0100	GEHÄUSE VORNE	

CODIGO **25336**

DESCRIÇÃO: **DUCHE LUXE MAÇANETA PLÁSTICO**



PORTUGUES

POS	CODIGO	DESCRIÇÃO	JANTIDADE	POS	CODIGO	DESCRIÇÃO	JANTIDADE
1	4401040101	CORPO VÁLVULA		8	4401042207	TAMPA EMBELEZEDORA	
2	4401040102	MANIPULO PLÁSTICO + EIXO		9	4401042208	FLEXO MACHO - FÊMEA 1/2"	
3	4401040103	MANIPULO PLÁSTICO		10	4401042209	ENLACE	
4	4401042404	SUPORTE TORNEIRA		11	4401041204	PARAFUSOS FIXAÇÃO CHUVEIRO SOLAR	
5	4401042204	CONECTOR BRAÇO		12	4401042212	PARAFUSOS FIXAÇÃO TAMPA	
6	4401042205	BRAÇO CHUVEIRO		13	25334R0200	TAMPA POSTERIOR	
7	4401040104	REGADOR CHUVEIRO		14	25334R0100	CORPO FRONTAL	