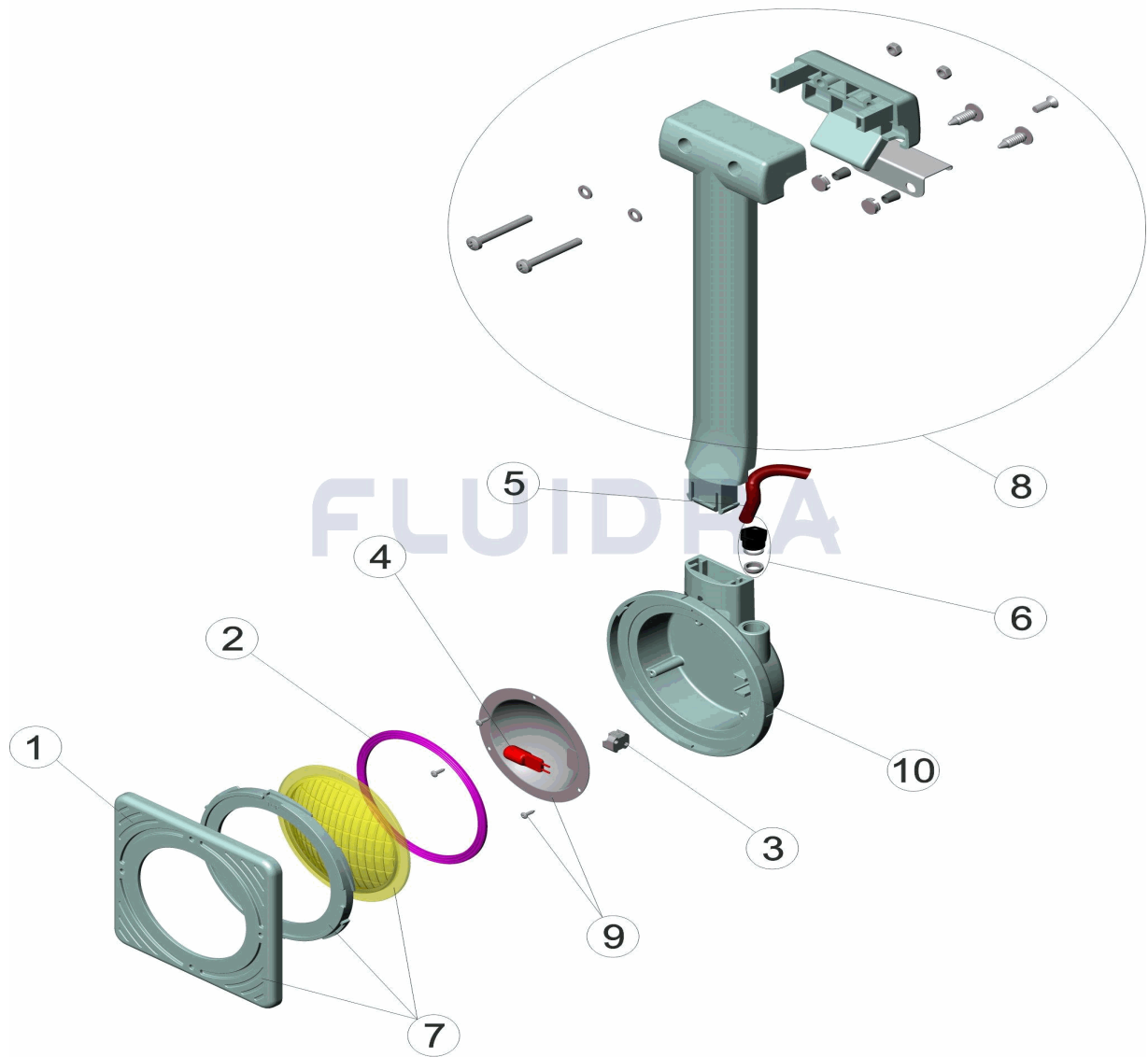


CODIGO 20894, 21397

DESCRIPCION: PROYECTOR PISCINA ELEVADA DE 50W. Y 75W.



ESPAÑOL

POS	CODIGO	DESCRIPCION	CANTIDAD	POS	CODIGO	DESCRIPCION	CANTIDAD
1	4411040101	EMBELLECEDOR CUADRADO		6	* 4403011405	PRENSAESTOPAS PROYECTOR DICROICO	
2	4411040102	JUNTA SILICONA		6	* 4403010076	CJTO. TAPON PRENSAESTOPAS	
3	4411040103	PORTALAMPARAS		7	4411040109	CJTO. LENTE PROYECTOR CUADRADO	
4	* 4411040104	BOMBILLA HALOGENA 50W		8	4411040110	CJTO. SOPORTE PROYECTOR	
4	* 4411040105	BOMBILLA HALOGENA 75W		9	4411040111	CJTO. REFLECTOR PROYECTOR	
5	* 4411030307	CABLE PROYECTOR PISC. ELEV. 50W		10	20894R0001	CUERPO PROYECTOR	
5	* 4411040107	CABLE PROYECTOR PISC. ELEV. 75W					

CODIGO **20894, 21397**

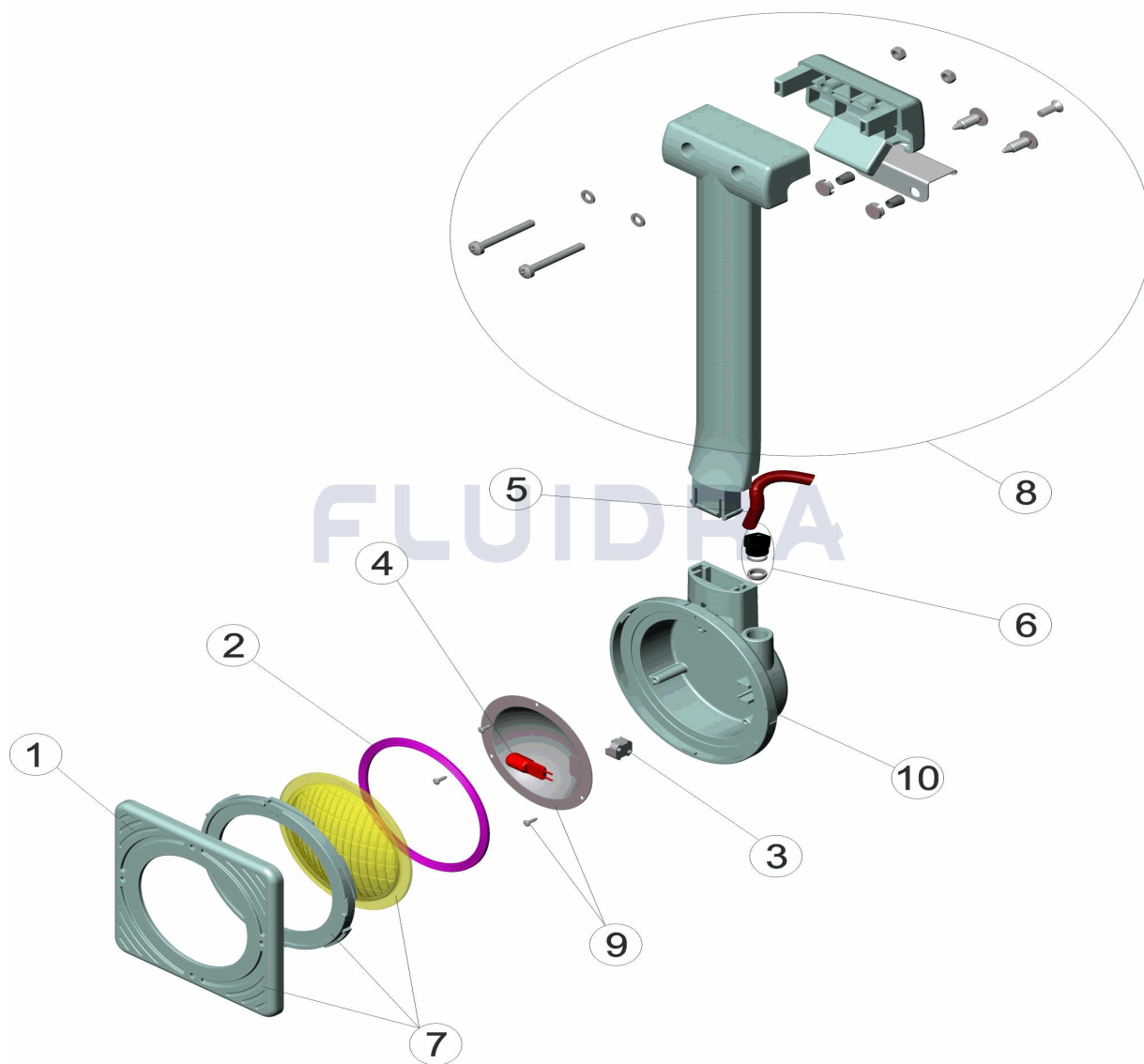
DESCRIPCION: **PROYECTOR PISCINA ELEVADA DE 50W. Y 75W.**

OBSERVACIONES

POS	CODIGO	OBSERVACIONES
4	* 4411040104	PARA: 20894
4	* 4411040105	PARA: 21397
5	* 4411030307	PARA: 20894
5	* 4411040107	PARA: 21397
6	* 4403011405	PARA: < 2009
6	* 4403010076	PARA: > 2009

CODE 20894, 21397

DESCRIPTION: PROJECTEUR PISCINE HORS SOL DE 50W. ET 75W.



FRANCAIS

POS	CODE	DESCRIPTION	QUANTITE	POS	CODE	DESCRIPTION	QUANTITE
1	4411040101	ENJOLIVEUR CARRE DE PROJECTEUR		6	* 4403011405	PRESSE-ÉTOUPE ET JOINT PROJ. DICHRO	
2	4411040102	JOINT SILICONE		6	* 4403010076	ENSEMBLE BOUCHON PRESSE-ETOUPE	
3	4411040103	DOUILLE		7	4411040109	ENS. LENTILLE PROJECTEUR CARRE	
4	* 4411040104	AMPOULE HALOGENE 50W		8	4411040110	ENS. SUPPORT PROJECTEUR	
4	* 4411040105	AMPOULE HALOGENE 75W		9	4411040111	ENS. REFLECTEUR PROJECTEUR	
5	* 4411030307	CABLE PROJECTEUR PISC. HORS SOL 50\		10	20894R0001	CORPS PROJECTEUR	
5	* 4411040107	CABLE PROJECTEUR PISC. HORS SOL 75\					

CODE **20894, 21397**

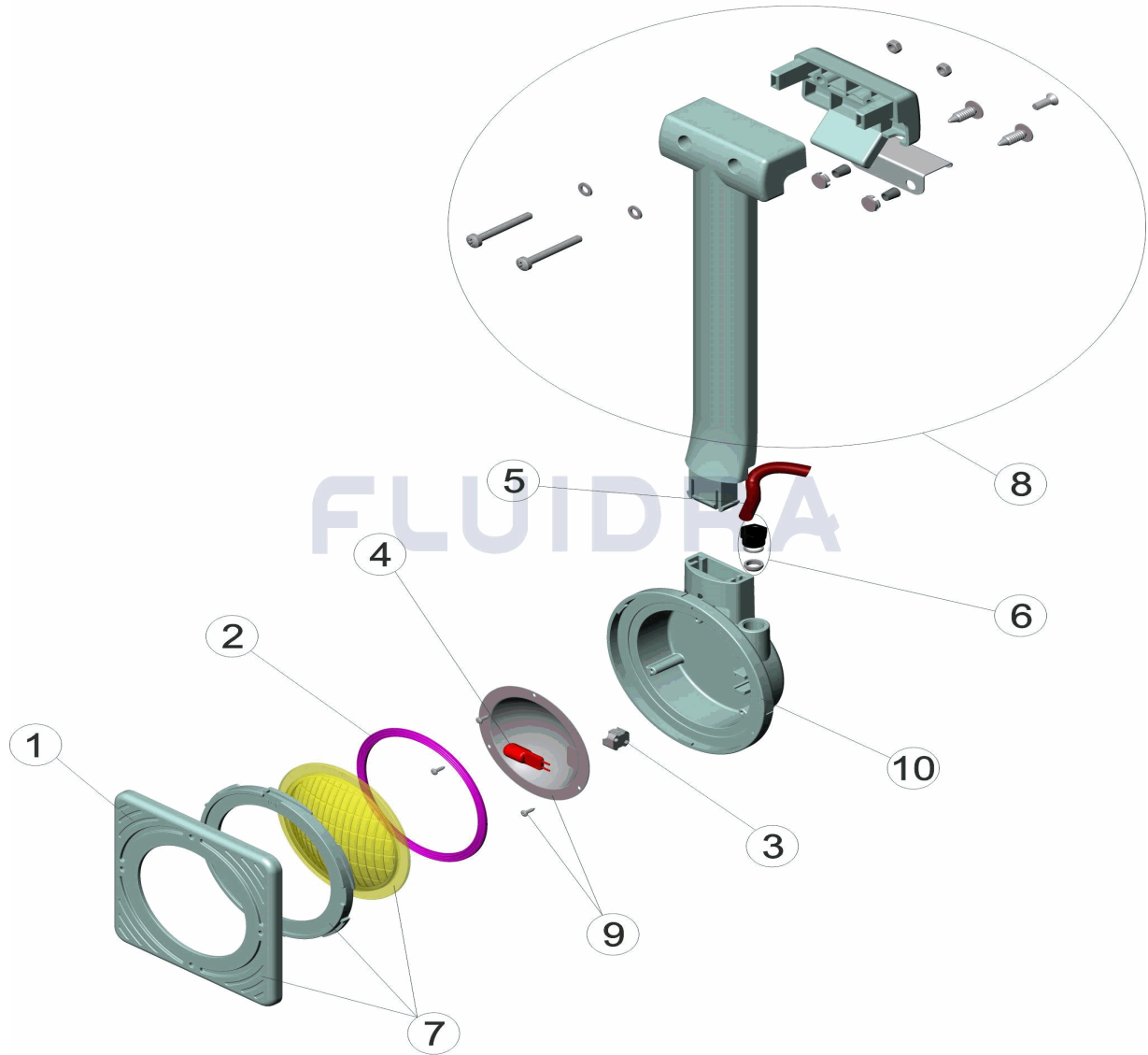
DESCRIPTION: **PROJECTEUR PISCINE HORS SOL DE 50W. ET 75W.**

OBSERVATIONS

POS	CODE	OBSERVATIONS
4	* 4411040104	POUR: 20894
4	* 4411040105	POUR: 21397
5	* 4411030307	POUR: 20894
5	* 4411040107	POUR: 21397
6	* 4403011405	POUR: < 2009
6	* 4403010076	POUR: > 2009

CODE 20894, 21397

DESCRIPTION: LIGHT ELEVATED POOL 50W AND 75W.



ENGLISH

POS	CODE	DESCRIPTION	QUANTITY	POS	CODE	DESCRIPTION	QUANTITY
1	4411040101	SQUARE TRIM		6	* 4403011405	PACKING GLAND	
2	4411040102	SILICONE GASKET		6	* 4403010076	PACKING GLAND ASSEMBLY	
3	4411040103	BULB HOLDER		7	4411040109	POOL LIGHT LENS ASSY.	
4	* 4411040104	HALOGEN LAMP 50W		8	4411040110	POOL LIGHT SUPPORT ASSY.	
4	* 4411040105	HALOGEN LAMP 75W		9	4411040111	POOL LIGHT REFLECTOR ASSY.	
5	* 4411030307	ABOVE GROUND POOL LIGHT CABLE 50W		10	20894R0001	LAMP BODY PLASTIC	
5	* 4411040107	AB.GROUND POOL LIGHT CABLE 75W					

CODE **20894, 21397**

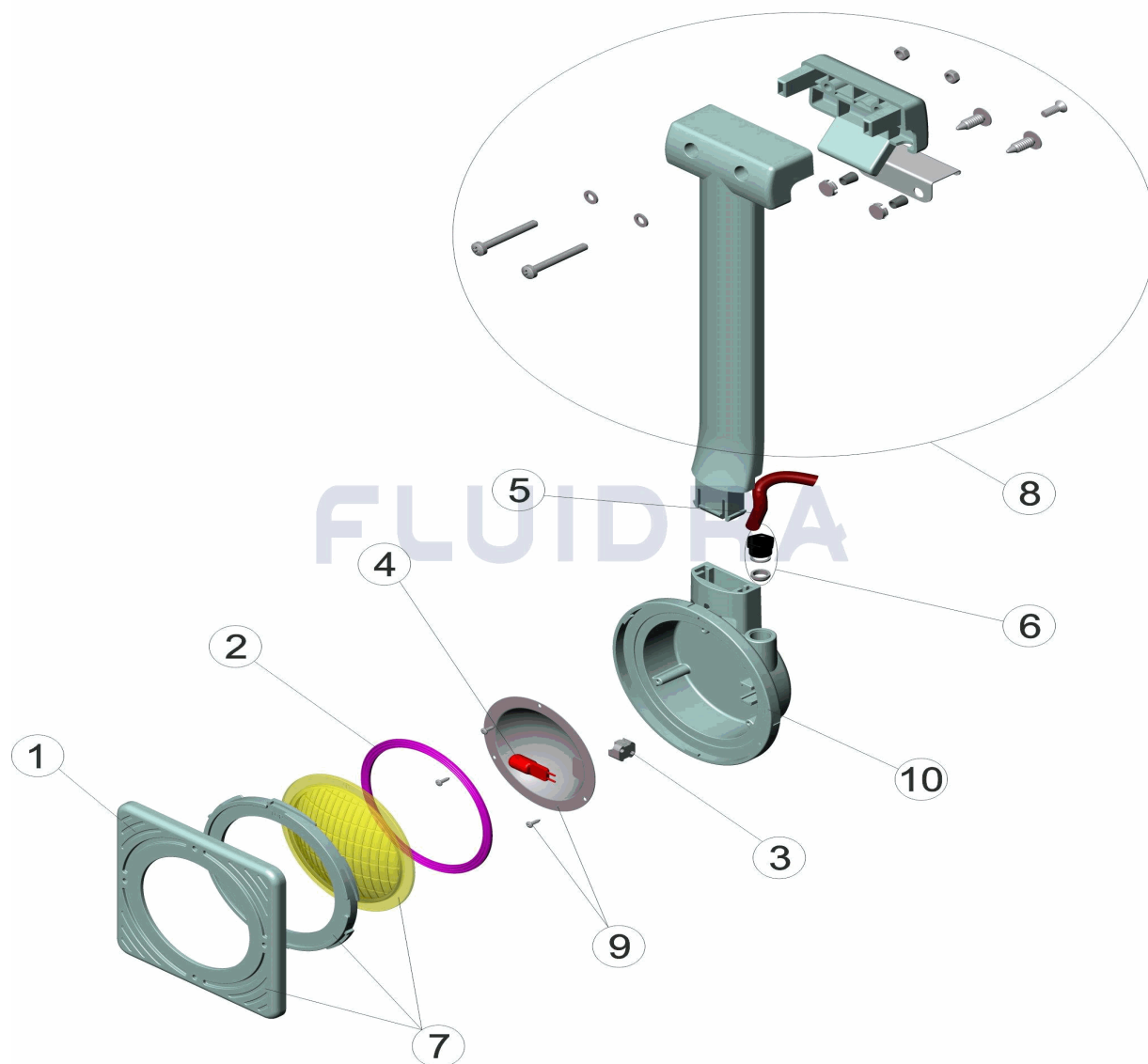
DESCRIPTION: **LIGHT ELEVATED POOL 50W AND 75W.**

OBSERVATIONS

POS	CODE	OBSERVATIONS
4	* 4411040104	FOR: 20894
4	* 4411040105	FOR: 21397
5	* 4411030307	FOR: 20894
5	* 4411040107	FOR: 21397
6	* 4403011405	FOR: < 2009
6	* 4403010076	FOR: > 2009

CODICE 20894, 21397

DESCRIZIONE: PROIETTORE PISCINA ELEVATA DA 50W E 75W



ITALIANO

POS	CODICE	DESCRIZIONE	QUANTITA'	POS	CODICE	DESCRIZIONE	QUANTITA'
1	4411040101	FLANGIA QUADRATA		6	* 4403011405	PRESSACAVI FARO DICROICO	
2	4411040102	GUARNIZIONE SILICONE		6	* 4403010076	INSIEME TAPPO PREMISTOPPA	
3	4411040103	PORTALAMPADE		7	4411040109	GRUPPO LENTE PROIETTORE	
4	* 4411040104	LAMPADINA ALOGENA 50 W		8	4411040110	GRUPPO SUPPORTO PROIETTORE	
4	* 4411040105	LAMPADINA ALOGENA 75 W		9	4411040111	KIT FARO	
5	* 4411030307	CAVO PROIETTORE PISCINA FUORI TERR		10	20894R0001	CORPO PROIETTORE	
5	* 4411040107	CAVO PROIETTORE PISCINA FUORI TERR					

CODICE 20894, 21397

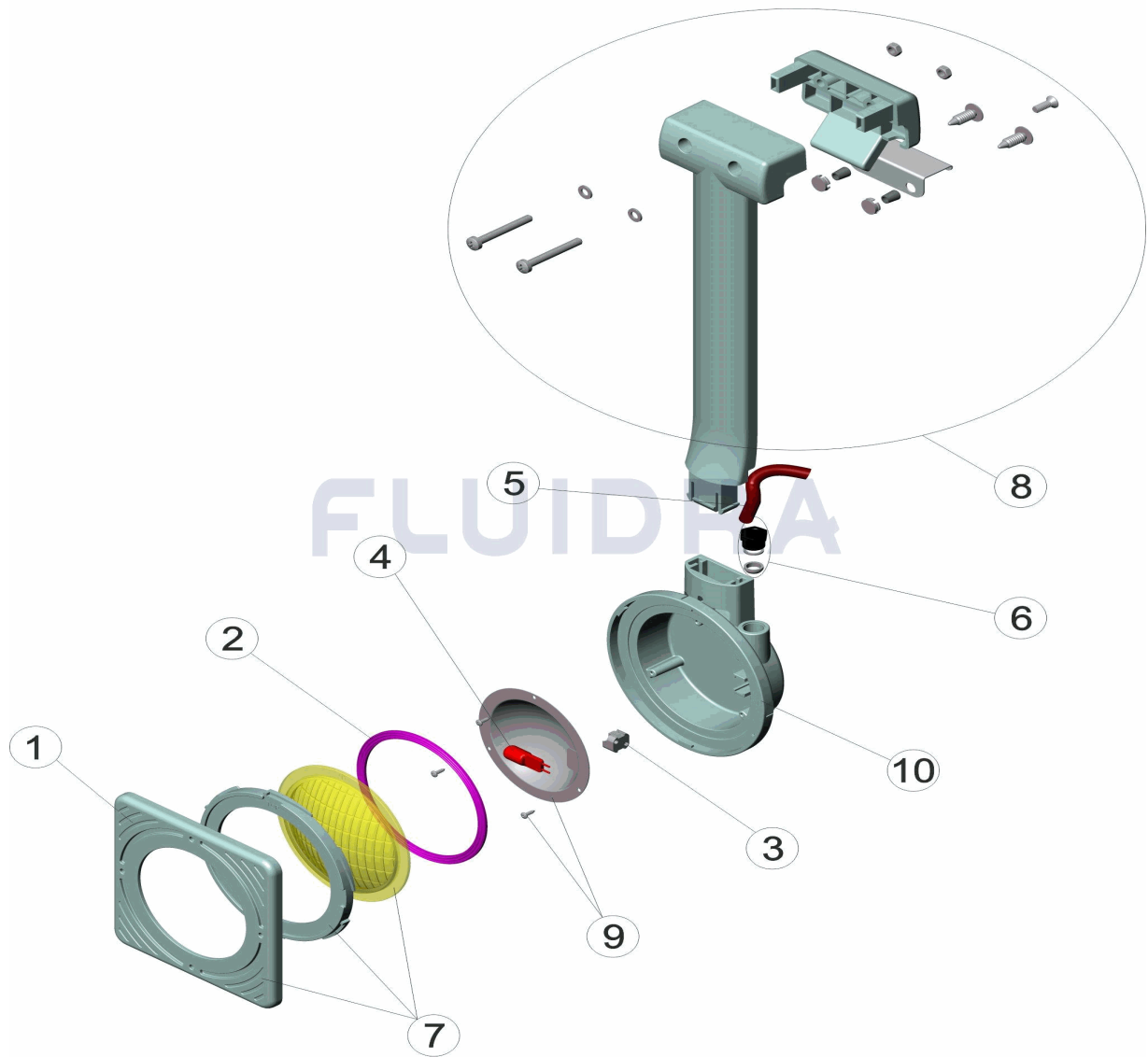
DESCRIZIONE: PROIETTORE PISCINA ELEVATA DA 50W E 75W

OSSERVAZIONI

POS	CODICE	OSSERVAZIONI
4	* 4411040104	PER: 20894
4	* 4411040105	PER: 21397
5	* 4411030307	PER: 20894
5	* 4411040107	PER: 21397
6	* 4403011405	PER: < 2009
6	* 4403010076	PER: > 2009

CODE 20894, 21397

BESCHREIBUNG: UWS AUFSTELLBECKEN 50 W UND 75 W



DEUTSCH

POS	CODE	BESCHREIBUNG	MENGE	POS	CODE	BESCHREIBUNG	MENGE
1	4411040101	BLLENDE QUADRATISCH		6	* 4403011405	QUETSCHVERSCHRAUBUNG UWS KALT LIC	
2	4411040102	DICHTUNG SILIKON		6	* 4403010076	STOPFENSET QUETSCHVERSCHRAUBUNC	
3	4411040103	LAMPENFASSUNG		7	4411040109	SET LINSE UWS QUADRATISCH	
4	* 4411040104	HALOGENGÜHLAMPE 50 W		8	4411040110	SET HALTERUNG UWS	
4	* 4411040105	HALOGENGÜHLAMPE 75 W		9	4411040111	SET REFLEKTOR UWS	
5	* 4411030307	UWS-KABEL AUFSTELLBECKEN 50 W		10	20894R0001	GEHÄUSE UWS	
5	* 4411040107	UWS-KABEL AUFSTELLBECKEN 75 W					

CODE **20894, 21397**

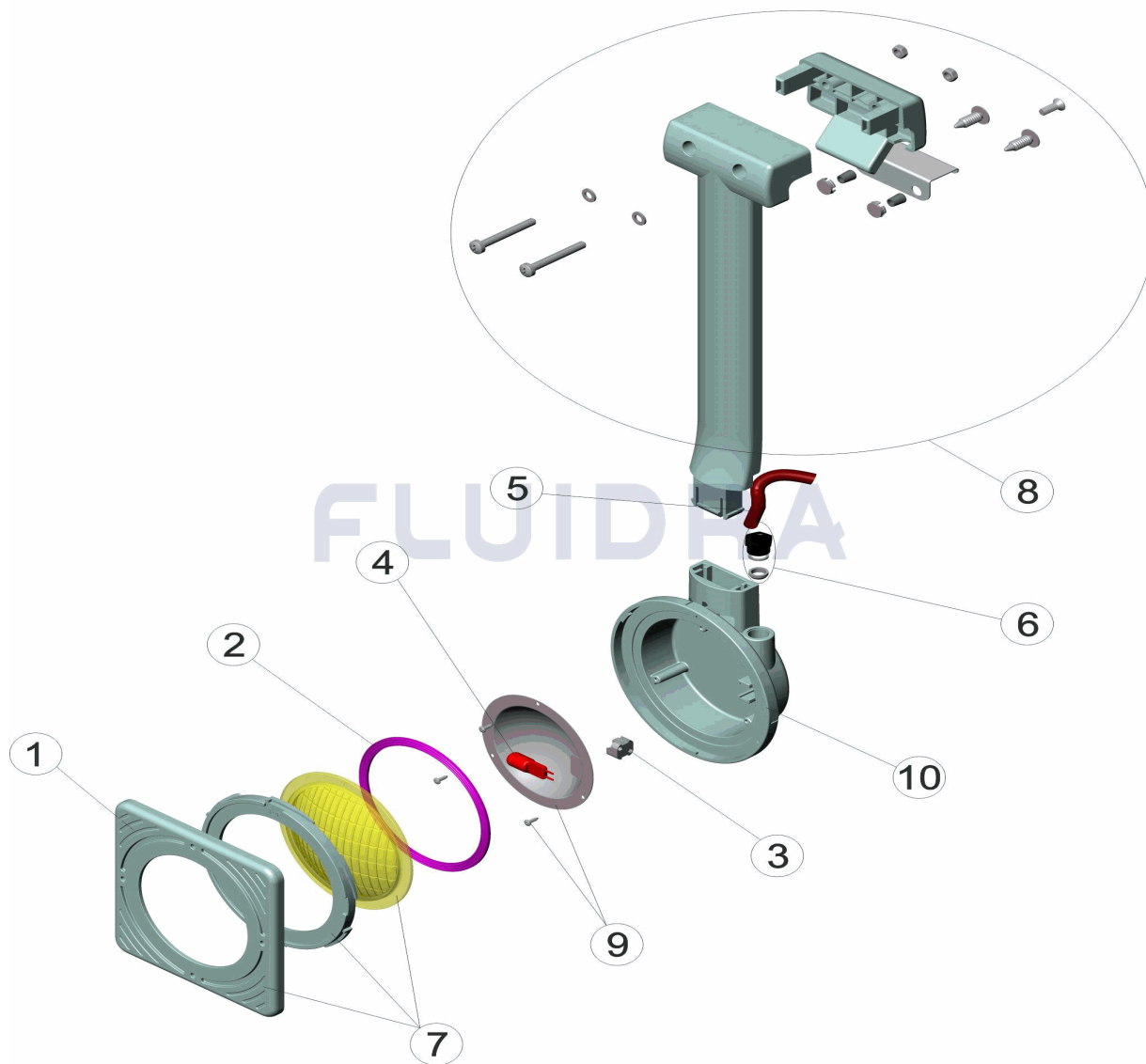
BESCHREIBUNG: **UWS AUFSTELLBECKEN 50 W UND 75 W**

HINWEISE

POS	CODE	HINWEISE
4	* 4411040104	FÜR: 20894
4	* 4411040105	FÜR: 21397
5	* 4411030307	FÜR: 20894
5	* 4411040107	FÜR: 21397
6	* 4403011405	FÜR: < 2009
6	* 4403010076	FÜR: > 2009

CODIGO 20894, 21397

DESCRIÇÃO: PROJECTOR PISCINA ELEVADA DE 50 W E 75 W



PORTUGUES

POS	CODIGO	DESCRIÇÃO	JANTIDADE	POS	CODIGO	DESCRIÇÃO	JANTIDADE
1	4411040101	EMBELEZEDOR QUADRADO		6	* 4403011405	BUCIN PROJECTOR	
2	4411040102	JUNTA SILICONE		6	* 4403010076	CONJUNTO TAMPABUCIM	
3	4411040103	CASQUILHO		7	4411040109	CONJ. LENTE PROJECTOR	
4	* 4411040104	LÂMPADA HALÓGENA 50W		8	4411040110	CONJ.SUPORTE PROJECTOR	
4	* 4411040105	LÂMPADA HALÓGENA 70W		9	4411040111	CONJ REFLECTOR PROJECTOR	
5	* 4411030307	CABO PROJECTOR PISC.ELEV.50W		10	20894R0001	CORPO PROJECTOR	
5	* 4411040107	CABO PROJECTOR PISC.ELEV.75W					

CODIGO 20894, 21397

DESCRIÇÃO: PROJECTOR PISCINA ELEVADA DE 50 W E 75 W

OBSERVAÇÕES

POS	CODIGO	OBSERVAÇÕES
4	* 4411040104	PARA: 20894
4	* 4411040105	PARA: 21397
5	* 4411030307	PARA: 20894
5	* 4411040107	PARA: 21397
6	* 4403011405	PARA: < 2009
6	* 4403010076	PARA: > 2009