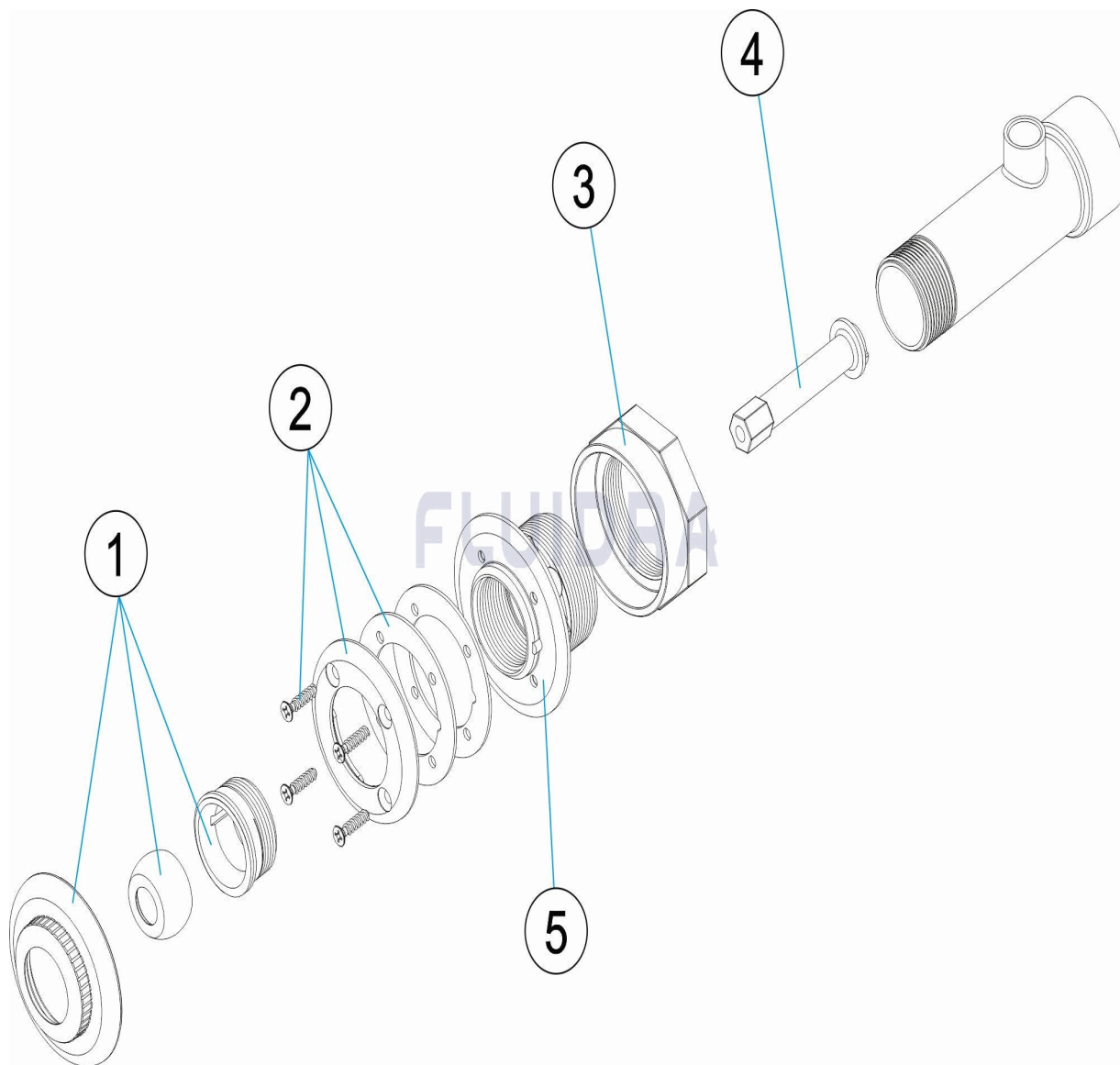


CODIGO 32115, 32115CL090, 32115CL129, 32115CL144, 32385, 32385CL090, 32385CL129, 32385CL144

DESCRIPCION: BOQUILLA MASAJE PISCINA PREFABRICADA LINER L- 169 - 254 M/M.



ESPAÑOL

POS	CODIGO	DESCRIPCION	CANTIDAD	POS	CODIGO	DESCRIPCION	CANTIDAD
1	* 4402044801	BOLA COMPLETA		3	4402045403	TUERCA HEXAGONAL 2" BS "	
1	* 4402040017	BOLA COMPLETA		4	* 4402045102	VENTURI PASAMUROS L-169 M/M.	
1	* 4402040019	BOLA COMPLETA		4	* 4402045103	VENTURI PASAMUROS L-254 M/M.	
1	* 4402040034	BOLA COMPLETA		5	25496R0001	CUERPO BOQUILLA LINER PARA ROSCAR	
2	4402044802	ARO Y JUNTA PISC. PREF.					

CODIGO **32115, 32115CL090, 32115CL129, 32115CL144, 32385, 32385CL090, 32385CL129, 32385CL144**

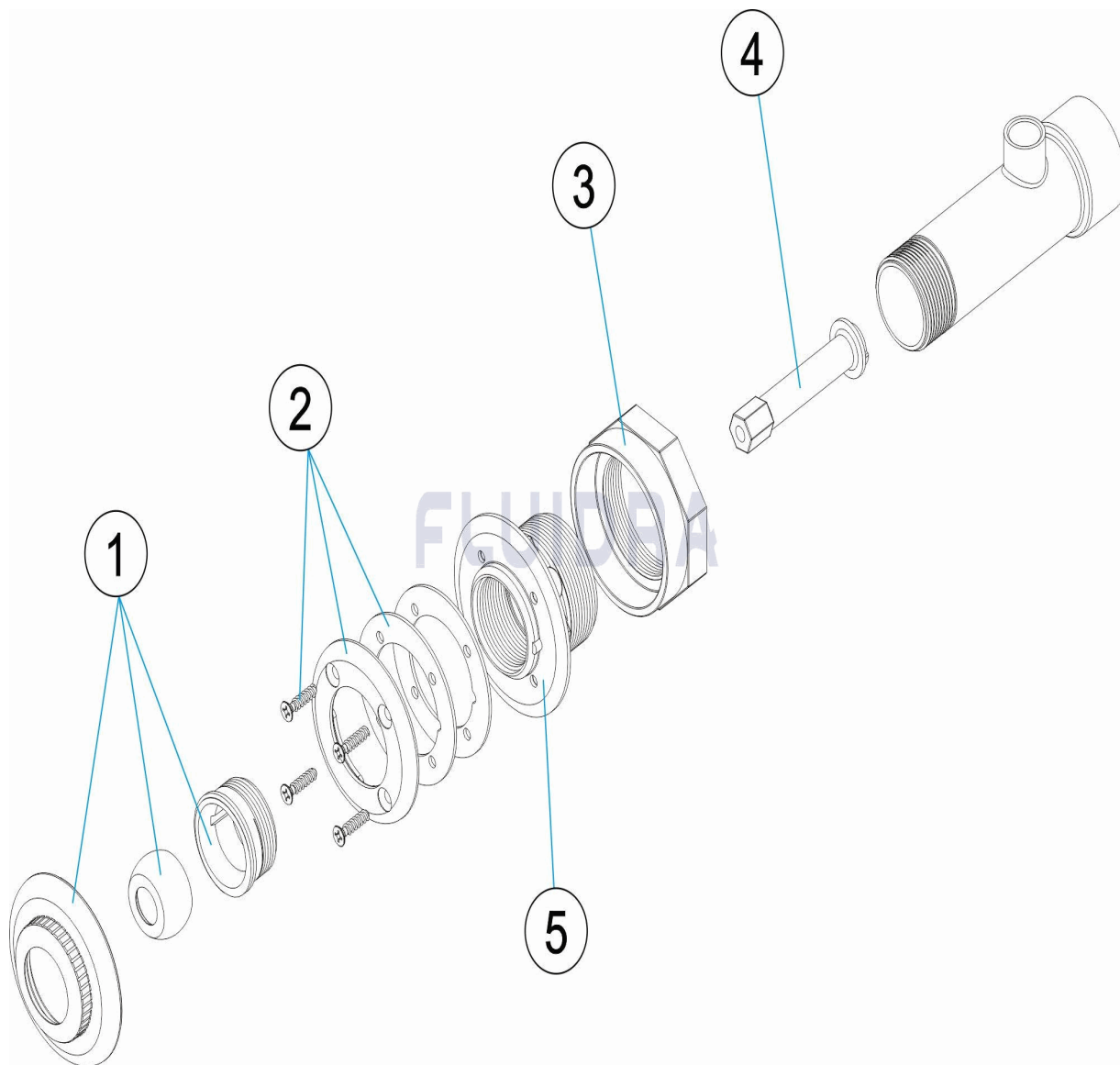
DESCRIPCION: BOQUILLA MASAJE PISCINA PREFABRICADA LINER L- 169 - 254 M/M.

OBSERVACIONES

POS	CODIGO	OBSERVACIONES
1	* 4402044801	PARA: 32115, 32385 WHITE
1	* 4402040017	PARA: 32115CL090, 32385CL090 BEIGE
1	* 4402040019	PARA: 32115CL129, 32385CL129 GREY
1	* 4402040034	PARA: 32115CL144, 32385CL144 ANTHRACITE
4	* 4402045102	PARA: 32115, 32115CL090, 32115CL129, 32115CL144
4	* 4402045103	PARA: 32385, 32385CL090, 32385CL129, 32385CL144

CODE **32115, 32115CL090, 32115CL129, 32115CL144, 32385, 32385CL090, 32385CL129, 32385CL144**

DESCRIPTION: **JET MASSAGE PISCINE PRÉFABRIQUÉE LINER L - 169 - 254 M/M.**



FRANCAIS

POS	CODE	DESCRIPTION	QUANTITE	POS	CODE	DESCRIPTION	QUANTITE
1	* 4402044801	ENSEMBLE ROTULE COMPLET		3	4402045403	RONDELLE HEXAGONALE 2" BS "	
1	* 4402040017	ENSEMBLE ROTULE COMPLET		4	* 4402045102	TRAVERSÉES DE PAROI VENTURI L-169 M/	
1	* 4402040019	ENSEMBLE ROTULE COMPLET		4	* 4402045103	TRAVERSÉES DE PAROI VENTURI L-254 M/	
1	* 4402040034	ENSEMBLE ROTULE COMPLET		5	25496R0001	CORPS BUSE LINER POUR TARAUD	
2	4402044802	JOINT ET BRIDE POUR LINER					

CODE **32115, 32115CL090, 32115CL129, 32115CL144, 32385, 32385CL090,
32385CL129, 32385CL144**

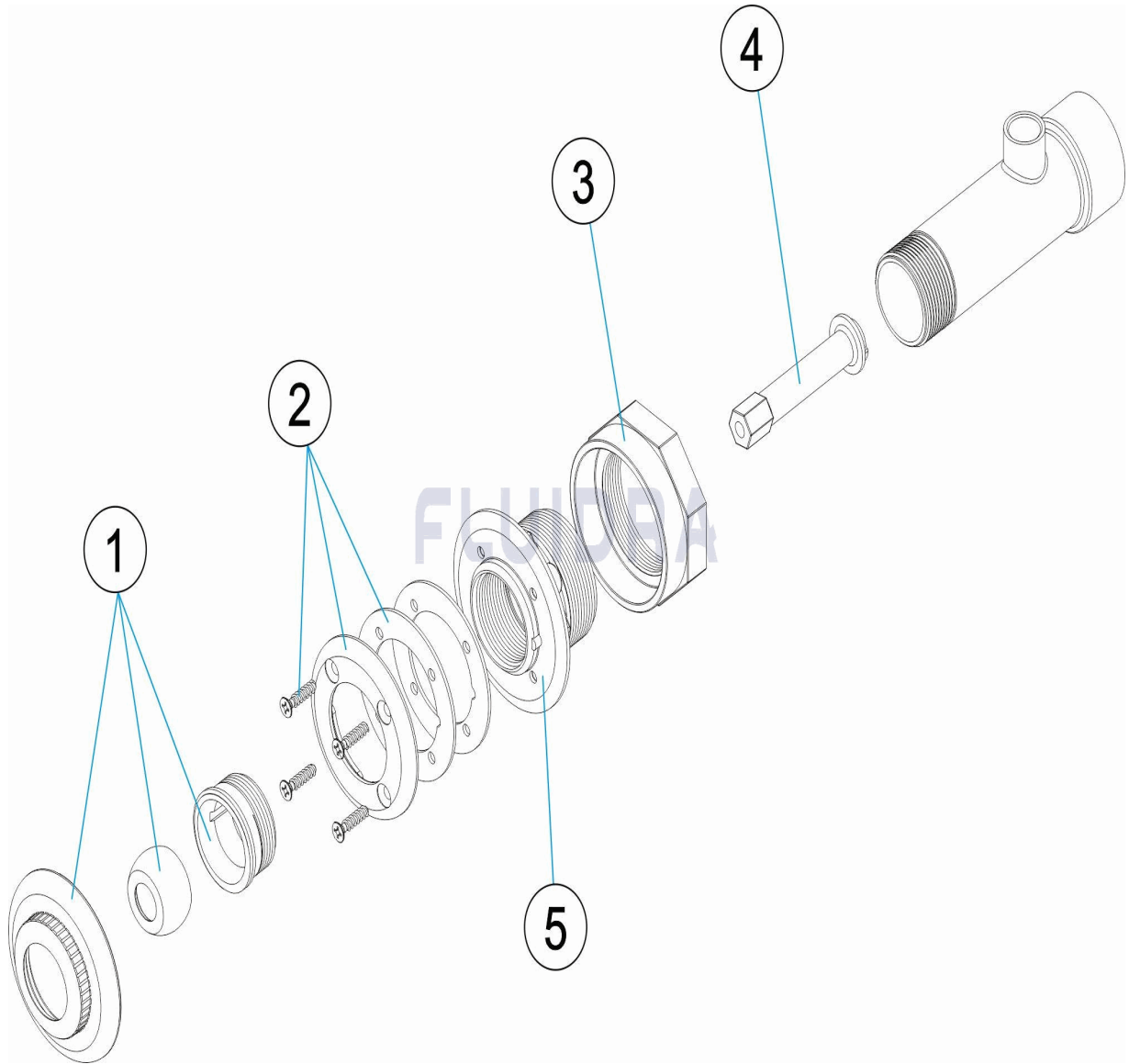
DESCRIPTION: **JET MASSAGE PISCINE PRÉFABRIQUÉE LINER L - 169 - 254 M/M.**

OBSERVATIONS

POS	CODE	OBSERVATIONS
1	* 4402044801	POUR: 32115, 32385 WHITE
1	* 4402040017	POUR: 32115CL090, 32385CL090 BEIGE
1	* 4402040019	POUR: 32115CL129, 32385CL129 GREY
1	* 4402040034	POUR: 32115CL144, 32385CL144 ANTHRACITE
4	* 4402045102	POUR: 32115, 32115CL090, 32115CL129, 32115CL144
4	* 4402045103	POUR: 32385, 32385CL090, 32385CL129, 32385CL144

CODE 32115, 32115CL090, 32115CL129, 32115CL144, 32385, 32385CL090, 32385CL129, 32385CL144

DESCRIPTION: **MESSAGE NOZZLES CONCRETE POOL LINER L - 169 - 254 M/M**



ENGLISH

POS	CODE	DESCRIPTION	QUANTITY	POS	CODE	DESCRIPTION	QUANTITY
1	* 4402044801	EYEBALL ASSEMBLY		3	4402045403	HEXAGONAL BOLT 2" BS "	
1	* 4402040017	EYEBALL ASSEMBLY		4	* 4402045102	VENTRUI WALL CONDUIT L-169 MM	
1	* 4402040019	EYEBALL ASSEMBLY		4	* 4402045103	VENTRUI WALL CONDUIT L-254 MM	
1	* 4402040034	EYEBALL ASSEMBLY		5	25496R0001	THREADED LINER NOZZLE BODY	
2	4402044802	RING AND GASKET FOR LINER POOLS					

CODE **32115, 32115CL090, 32115CL129, 32115CL144, 32385, 32385CL090,
 32385CL129, 32385CL144**

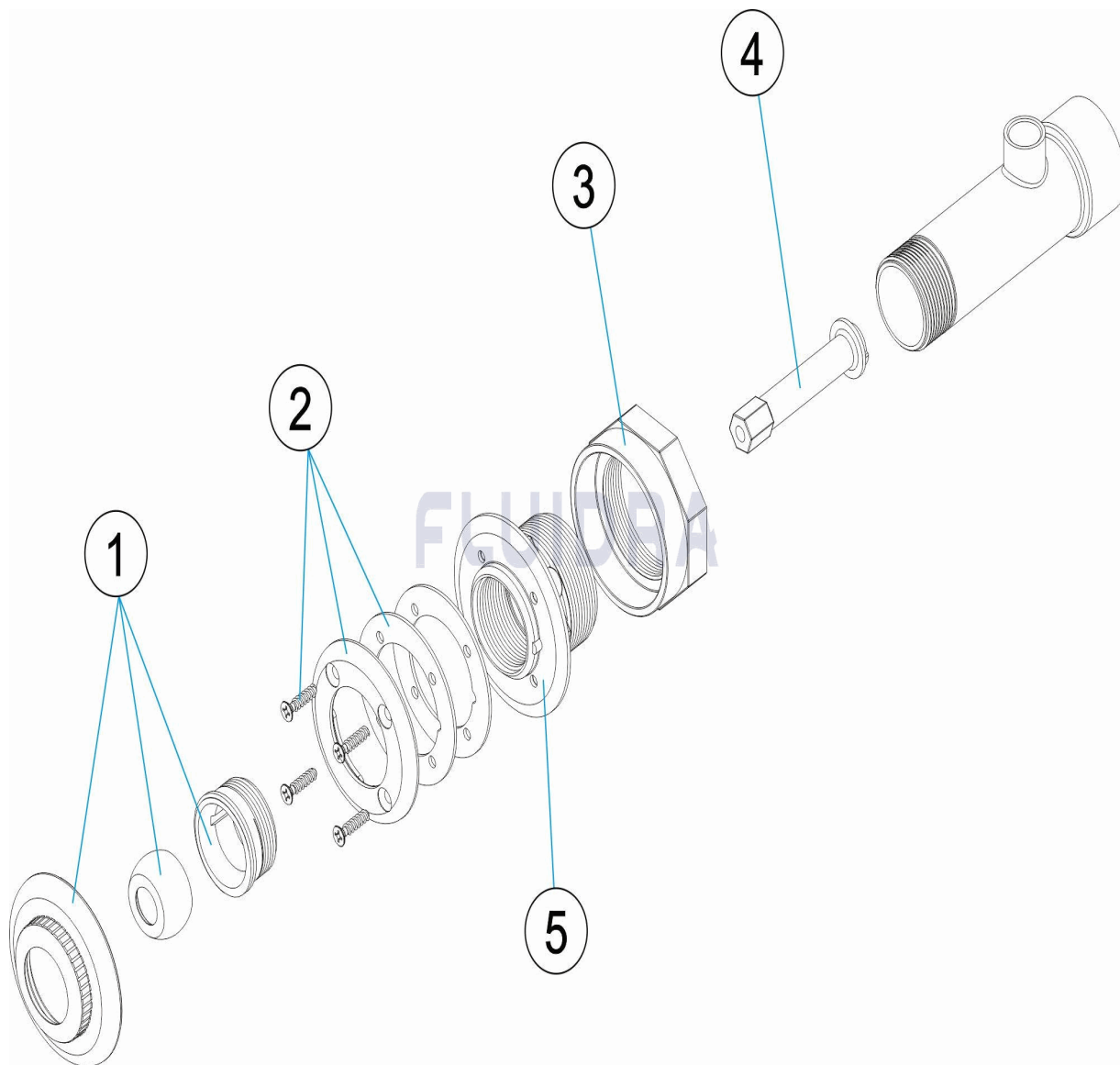
DESCRIPTION: **MESSAGE NOZZLES CONCRETE POOL LINER L - 169 - 254 M/M**

OBSERVATIONS

POS	CODE	OBSERVATIONS
1	* 4402044801	FOR: 32115, 32385 WHITE
1	* 4402040017	FOR: 32115CL090, 32385CL090 BEIGE
1	* 4402040019	FOR: 32115CL129, 32385CL129 GREY
1	* 4402040034	FOR: 32115CL144, 32385CL144 ANTHRACITE
4	* 4402045102	FOR: 32115, 32115CL090, 32115CL129, 32115CL144
4	* 4402045103	FOR: 32385, 32385CL090, 32385CL129, 32385CL144

CODICE 32115, 32115CL090, 32115CL129, 32115CL144, 32385, 32385CL090, 32385CL129, 32385CL144

DESCRIZIONE: BOCCHETTA MASSAGGI PISCINA PREFABBRICATA LINER L-169 - 254 M/M



ITALIANO

POS	CODICE	DESCRIZIONE	QUANTITA'	POS	CODICE	DESCRIZIONE	QUANTITA'
1	* 4402044801	SFERA COMPLETA		3	4402045403	GHIERA ESAGONALE 2	
1	* 4402040017	SFERA COMPLETA		4	* 4402045102	PASSANTE A MURO CON SISTEMA VENTUF	
1	* 4402040019	SFERA COMPLETA		4	* 4402045103	PASSANTE A MURO CON SISTEMA VENTUF	
1	* 4402040034	SFERA COMPLETA		5	25496R0001	CORPO BOCCHETTONE LINER PER FILETT	
2	4402044802	COPRIFLANGIA E GUARNIZIONE PISC. PRI					

CODICE **32115, 32115CL090, 32115CL129, 32115CL144, 32385, 32385CL090, 32385CL129, 32385CL144**

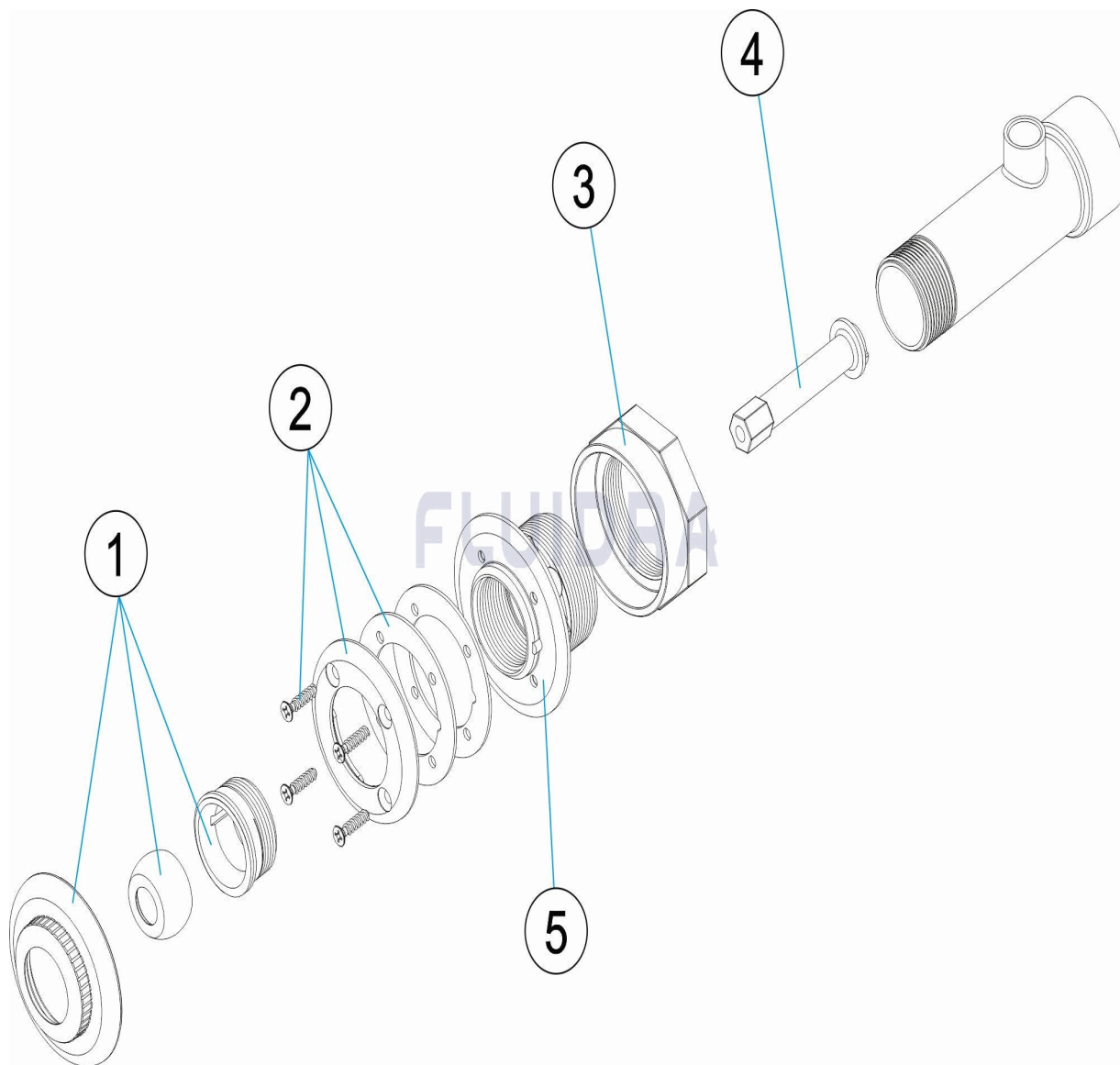
DESCRIZIONE: BOCCHETTA MASSAGGI PISCINA PREFABBRICATA LINER L-169 - 254 M/M

OSSERVAZIONI

POS	CODICE	OSSERVAZIONI
1	* 4402044801	PER: 32115, 32385 WHITE
1	* 4402040017	PER: 32115CL090, 32385CL090 BEIGE
1	* 4402040019	PER: 32115CL129, 32385CL129 GREY
1	* 4402040034	PER: 32115CL144, 32385CL144 ANTHRACITE
4	* 4402045102	PER: 32115, 32115CL090, 32115CL129, 32115CL144
4	* 4402045103	PER: 32385, 32385CL090, 32385CL129, 32385CL144

CODE **32115, 32115CL090, 32115CL129, 32115CL144, 32385, 32385CL090, 32385CL129, 32385CL144**

BESCHREIBUNG: **MASSAGEDÜSE FERTIGBECKEN FOLIE L- 169 - 254 M/M**



DEUTSCH

POS	CODE	BESCHREIBUNG	MENGE	POS	CODE	BESCHREIBUNG	MENGE
1	* 4402044801	KUGEL KOMPLETT		3	4402045403	SECHSKANTMUTTER 2" BS "	
1	* 4402040017	KUGEL KOMPLETT		4	* 4402045102	VENTURI WANDDURCHFÜHRUNG L - 169 M	
1	* 4402040019	KUGEL KOMPLETT		4	* 4402045103	VENTURI WANDDURCHFÜHRUNG L - 254 M	
1	* 4402040034	KUGEL KOMPLETT		5	25496R0001	GEHÄUSE DÜSE FOLIE GEWINDE	
2	4402044802	RING UND DICHTUNG FERTIGBECKEN					

CODE **32115, 32115CL090, 32115CL129, 32115CL144, 32385, 32385CL090,**
 32385CL129, 32385CL144

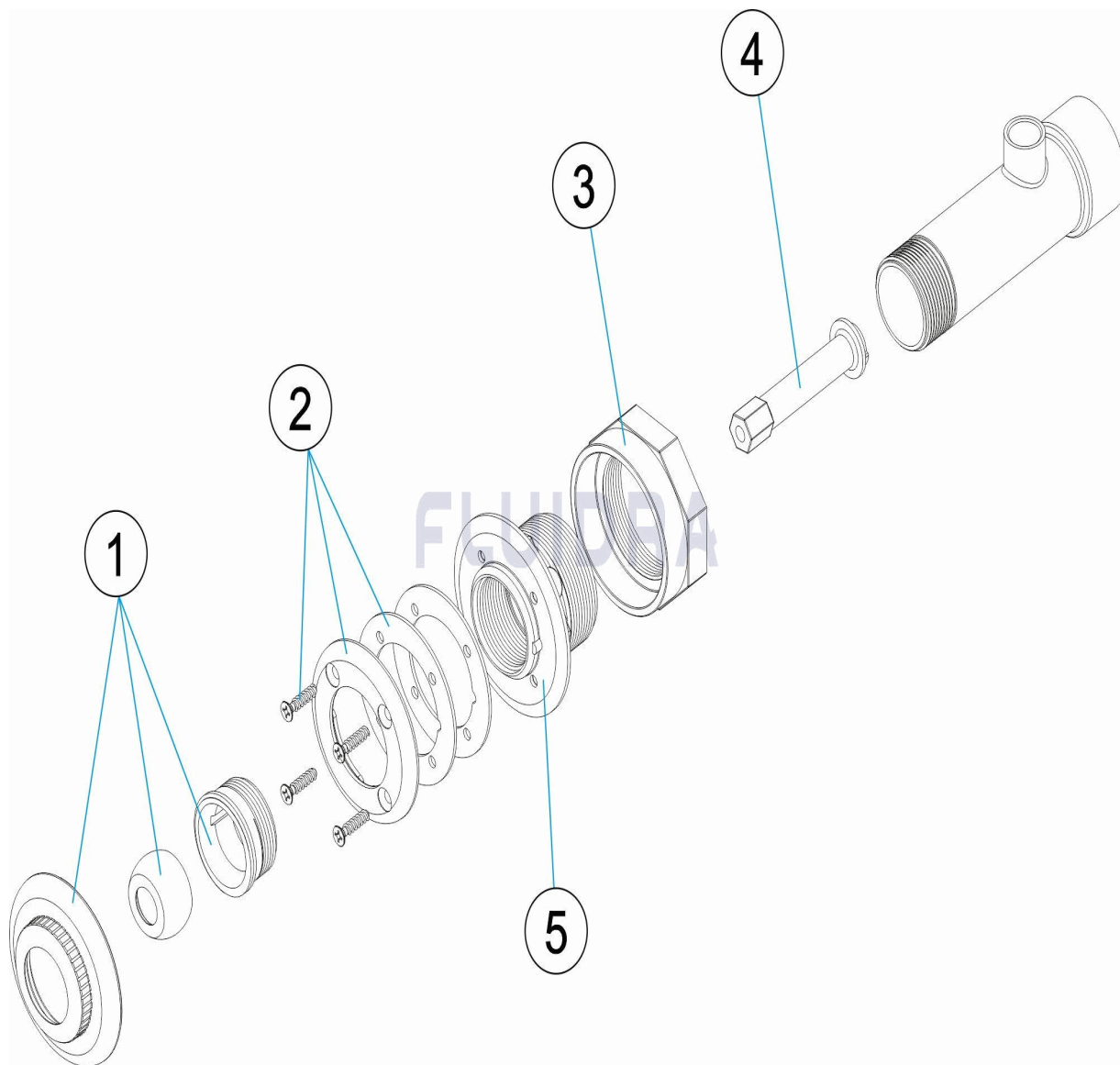
BESCHREIBUNG: MASSAGEDÜSE FERTIGBECKEN FOLIE L- 169 - 254 M/M

HINWEISE

POS	CODE	HINWEISE
1	* 4402044801	FÜR: 32115, 32385 WHITE
1	* 4402040017	FÜR: 32115CL090, 32385CL090 BEIGE
1	* 4402040019	FÜR: 32115CL129, 32385CL129 GREY
1	* 4402040034	FÜR: 32115CL144, 32385CL144 ANTHRACITE
4	* 4402045102	FÜR: 32115, 32115CL090, 32115CL129, 32115CL144
4	* 4402045103	FÜR: 32385, 32385CL090, 32385CL129, 32385CL144

CODIGO 32115, 32115CL090, 32115CL129, 32115CL144, 32385, 32385CL090, 32385CL129, 32385CL144

DESCRICAÇÃO: BOQUILHA MASSAGEM PISCINA PRÉ-FABRICADA LINER L- 169 - 254 M/M.



PORTUGUES

POS	CODIGO	DESCRICAÇÃO	JANTIDADE	POS	CODIGO	DESCRICAÇÃO	JANTIDADE
1	* 4402044801	BOLA MULTIFLOW COMPLETA		3	4402045403	PORCA HEXAGONAL 2" BS "	
1	* 4402040017	BOLA MULTIFLOW COMPLETA		4	* 4402045102	VENTURI PASAMUROS L-169 M/M.	
1	* 4402040019	BOLA MULTIFLOW COMPLETA		4	* 4402045103	VENTURI PASAMUROS L-254 M/M.	
1	* 4402040034	BOLA MULTIFLOW COMPLETA		5	25496R0001	CORPO PEÇA DE LIGAÇÃO LINER ROSCA F	
2	4402044802	ARO E JUNTA PISCINA PRE-FABRICADA					

CODIGO **32115, 32115CL090, 32115CL129, 32115CL144, 32385, 32385CL090, 32385CL129, 32385CL144**

DESCRIÇÃO: BOQUILHA MASSAGEM PISCINA PRÉ-FABRICADA LINER L- 169 - 254 M/M.

OBSERVAÇÕES

POS	CODIGO	OBSERVAÇÕES
1	* 4402044801	PARA: 32115, 32385 WHITE
1	* 4402040017	PARA: 32115CL090, 32385CL090 BEIGE
1	* 4402040019	PARA: 32115CL129, 32385CL129 GREY
1	* 4402040034	PARA: 32115CL144, 32385CL144 ANTHRACITE
4	* 4402045102	PARA: 32115, 32115CL090, 32115CL129, 32115CL144
4	* 4402045103	PARA: 32385, 32385CL090, 32385CL129, 32385CL144