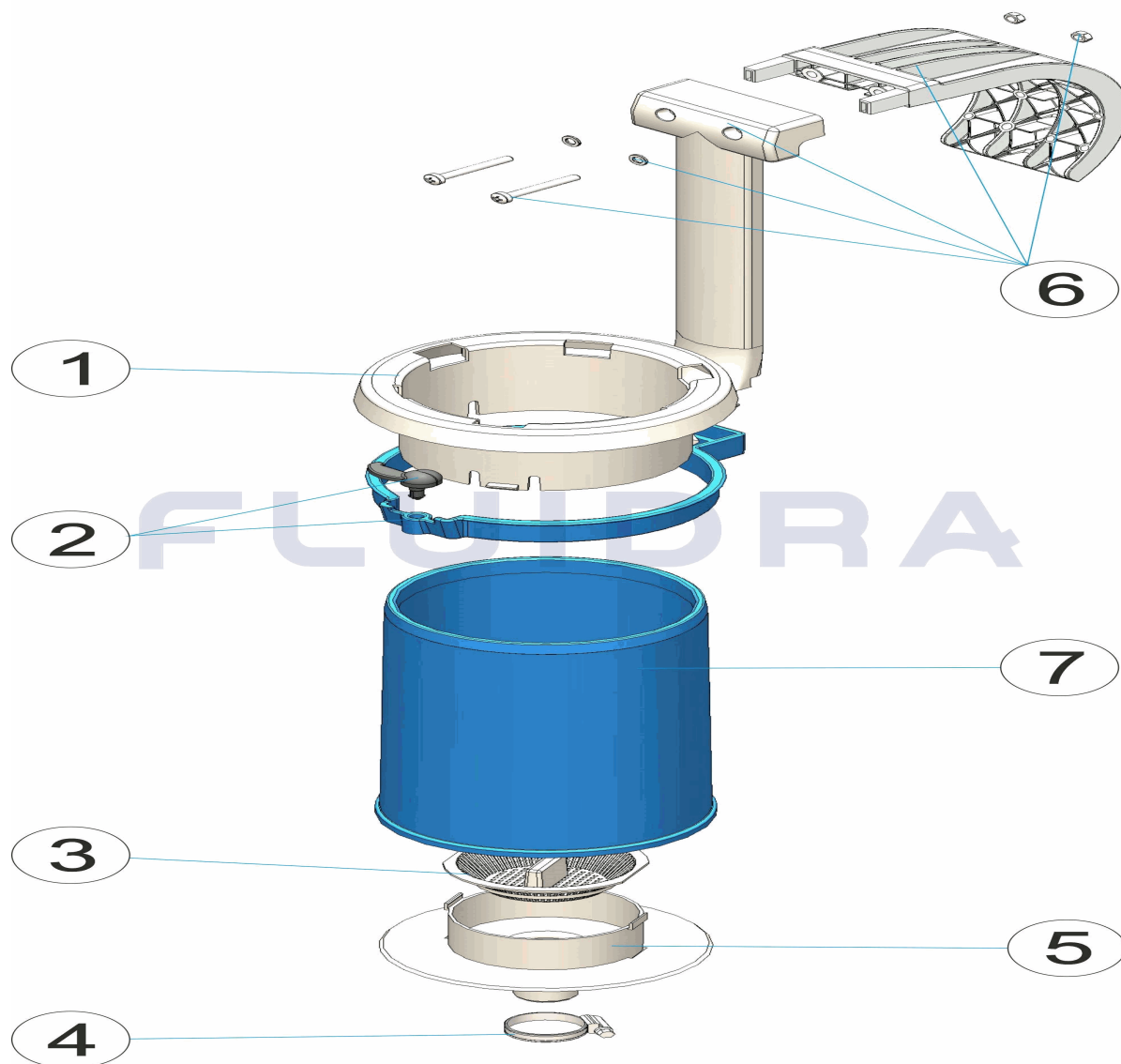


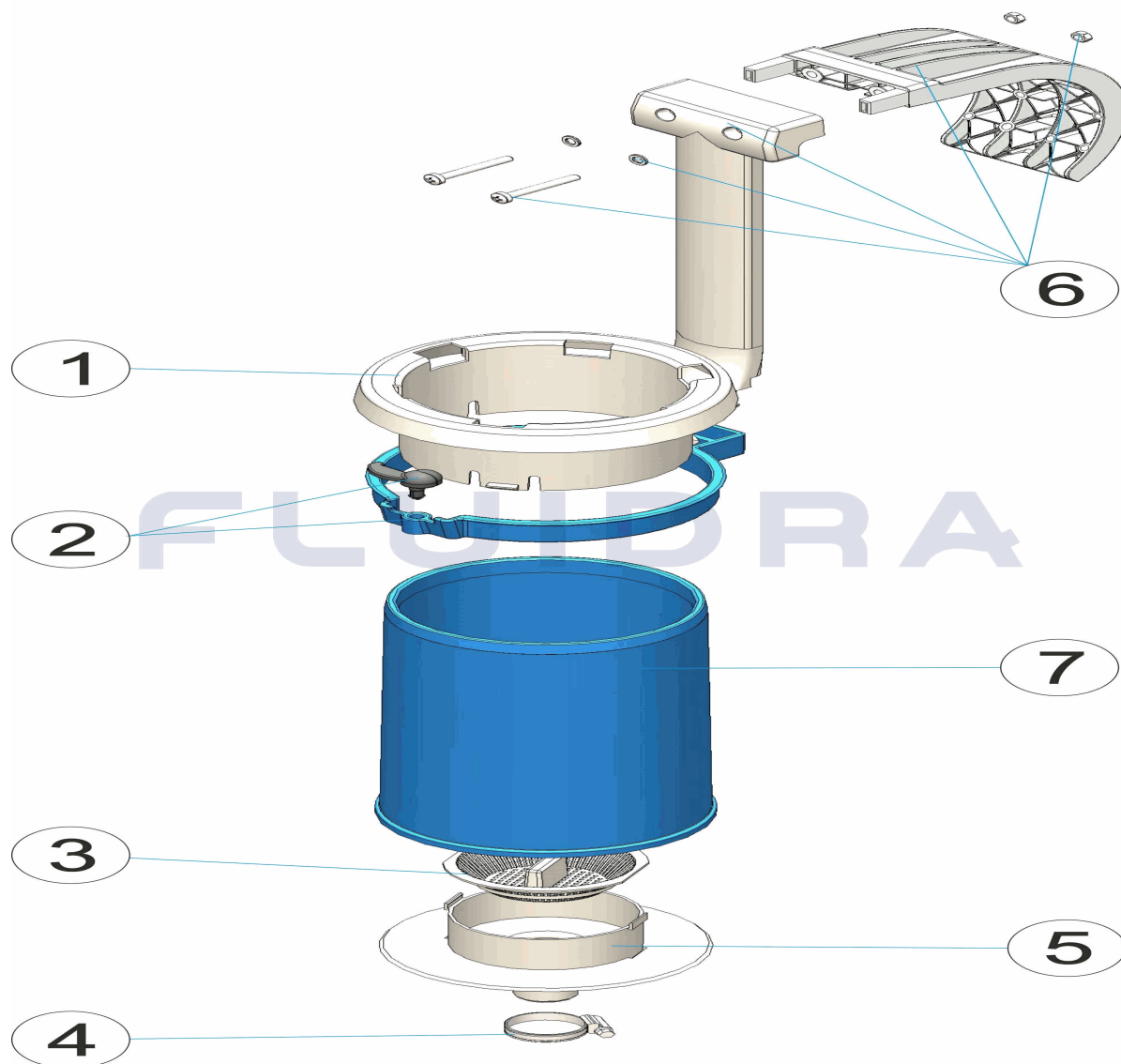
CODIGO **18829**

 DESCRIPCION: **SKIMFILTER INTERIOR PISCINA CHAPA AUTOPORTANTE**

ESPAÑOL

POS	CODIGO	DESCRIPCION	CANTIDAD	POS	CODIGO	DESCRIPCION	CANTIDAD
1	CE11030501	FLOTADOR SKIMM-FILTER		5	CE11030000	CJTO. FIJACION SKIMMER PIS. AUTOPORT.	
2	CE11030803	BRIDA SOPORTE SKIMM-FILTER		6	16573R0001	BASE SKIMMER FLOTANTE	
3	CE11030502	CESTA SKIMM-FILTER FLOTANTE		7	11054R0001	CUERPO SKIMMFILTER 4,5 M3/H.	
4	CE11030503	ABRAZADERA					

CODE 18829

DESCRIPTION: SKIMFILTER INTÉRIEUR PISCINE TÔLE AUTOPORTANT

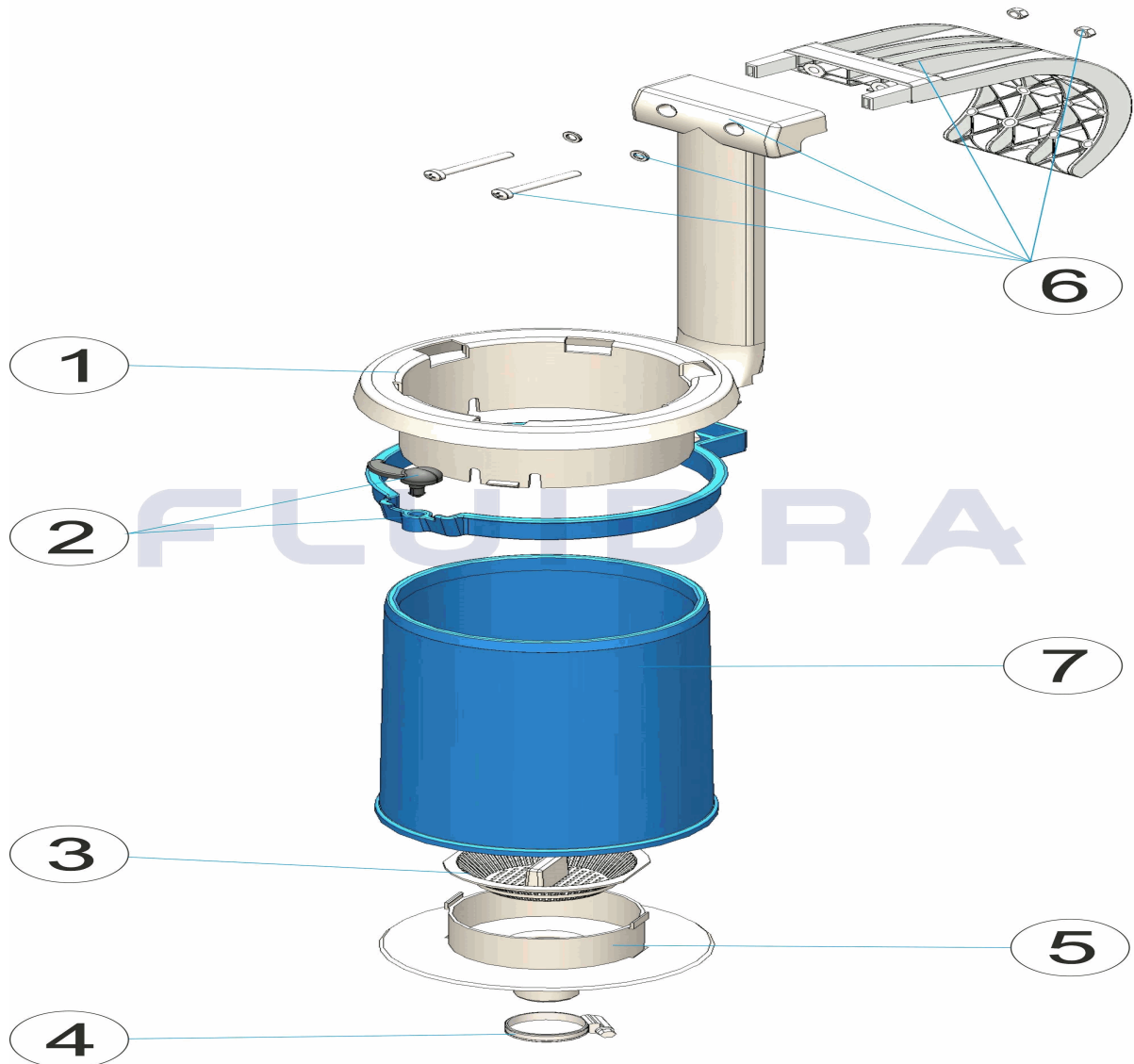


FRANCAIS

POS	CODE	DESCRIPTION	QUANTITE	POS	CODE	DESCRIPTION	QUANTITE
1	CE11030501	FLOTTEUR SKIMM-FILTER		5	CE11030000	ENS. FIXATION SKIMMER PIS. AUTOPORTE	
2	CE11030803	BRIDE SUPPORT SKIMFILTER		6	16573R0001	BASE SKIMMER FLOTTANT	
3	CE11030502	PANIER SKIMM-FILTER FLOTTANT		7	11054R0001	CORPS SKIMMER 4,5 M3/H	
4	CE11030503	COLLIER					

CODE 18829

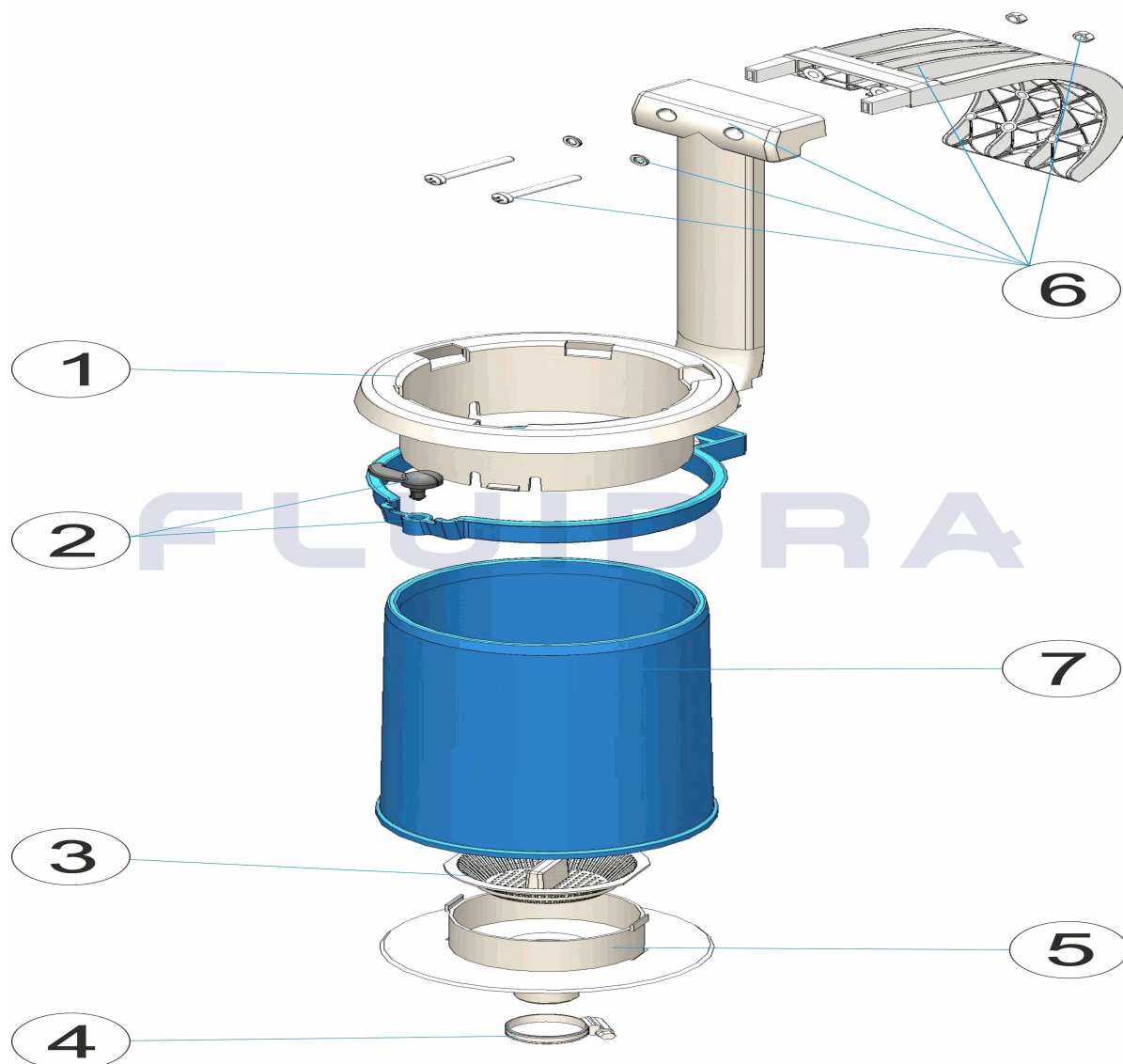
DESCRIPTION: SKIMFILTER SELF-SUPPORTING INDOOR POOL PANEL



ENGLISH

POS	CODE	DESCRIPTION	QUANTITY	POS	CODE	DESCRIPTION	QUANTITY
1	CE11030501	SKIMM-FILTER FLOAT		5	CE11030000	ANCHOR ASSY. FOR SELF-SUPPORTED	
2	CE11030803	SKIMFILTER SUPPORT FLANGE		6	16573R0001	FLOATING SKIMMER BASE	
3	CE11030502	FLOATING SKIMM-FILTER BASKET		7	11054R0001	4.5 M3/H. SKIMMFILTER BODY	
4	CE11030503	CLAMP					

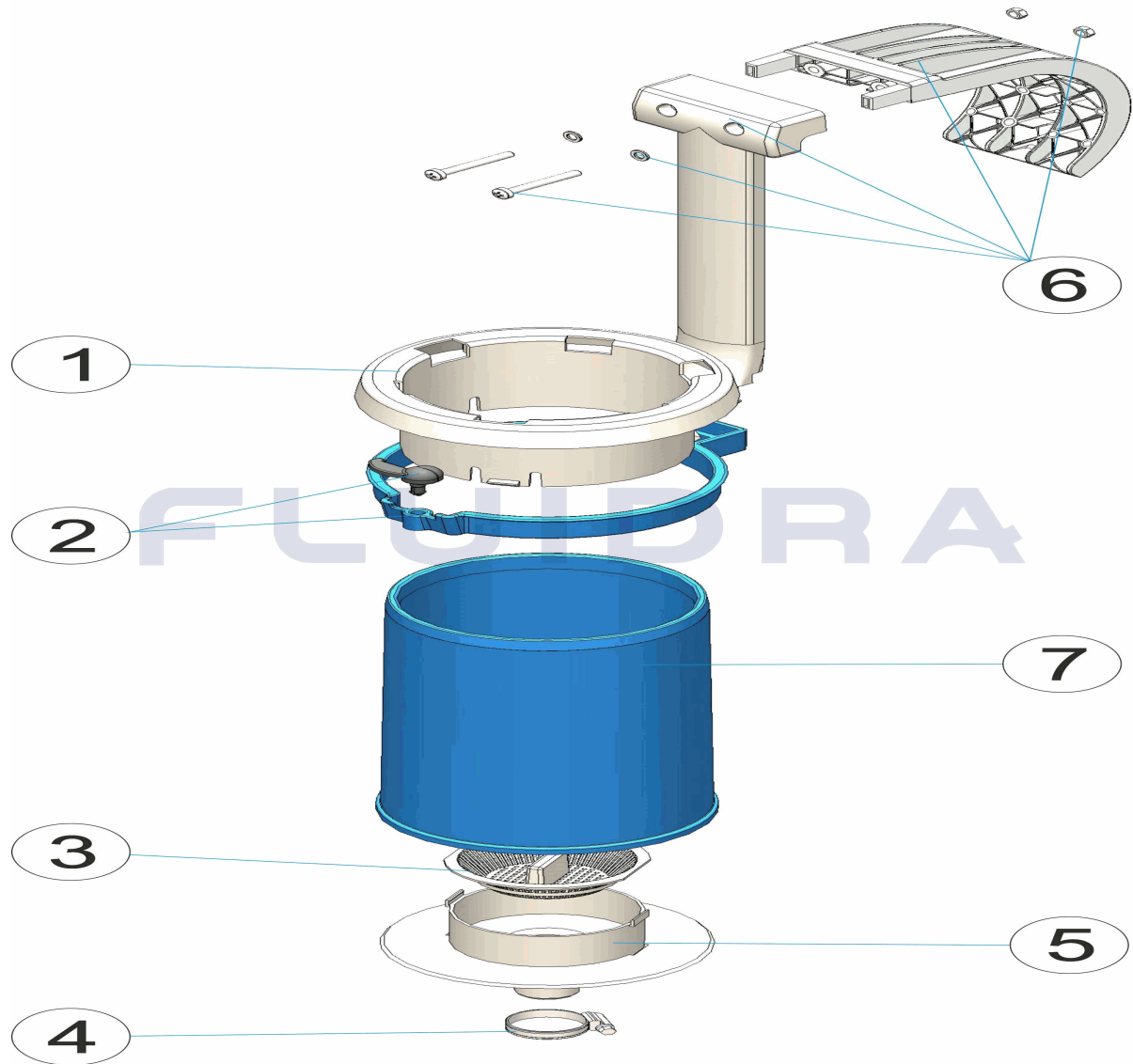
CODICE **18829**

 DESCRIZIONE: **SKIMFILTER INTERIORE PISCINA LASTRA AUTOPORTANTE**

ITALIANO

POS	CODICE	DESCRIZIONE	QUANTITA'	POS	CODICE	DESCRIZIONE	QUANTITA'
1	CE11030501	GALLEGGIANTE SKIMM-FILTER		5	CE11030000	GRUPPO FISSAGGIO SKIMMER PISC.UTOP	
2	CE11030803	FLANGIA SUPPORTO SKIMFILTER		6	16573R0001	BASE SKIMMER FLOTTANTE	
3	CE11030502	CESTO SKIMM-FILTER GALLEGGIANTE		7	11054R0001	CORPO SKIMM-FILTER 4,5 M3/H	
4	CE11030503	FASCETTA					

CODE 18829

BESCHREIBUNG: SKIMFILTER INNEN AUFSTELLBLECHBECKEN

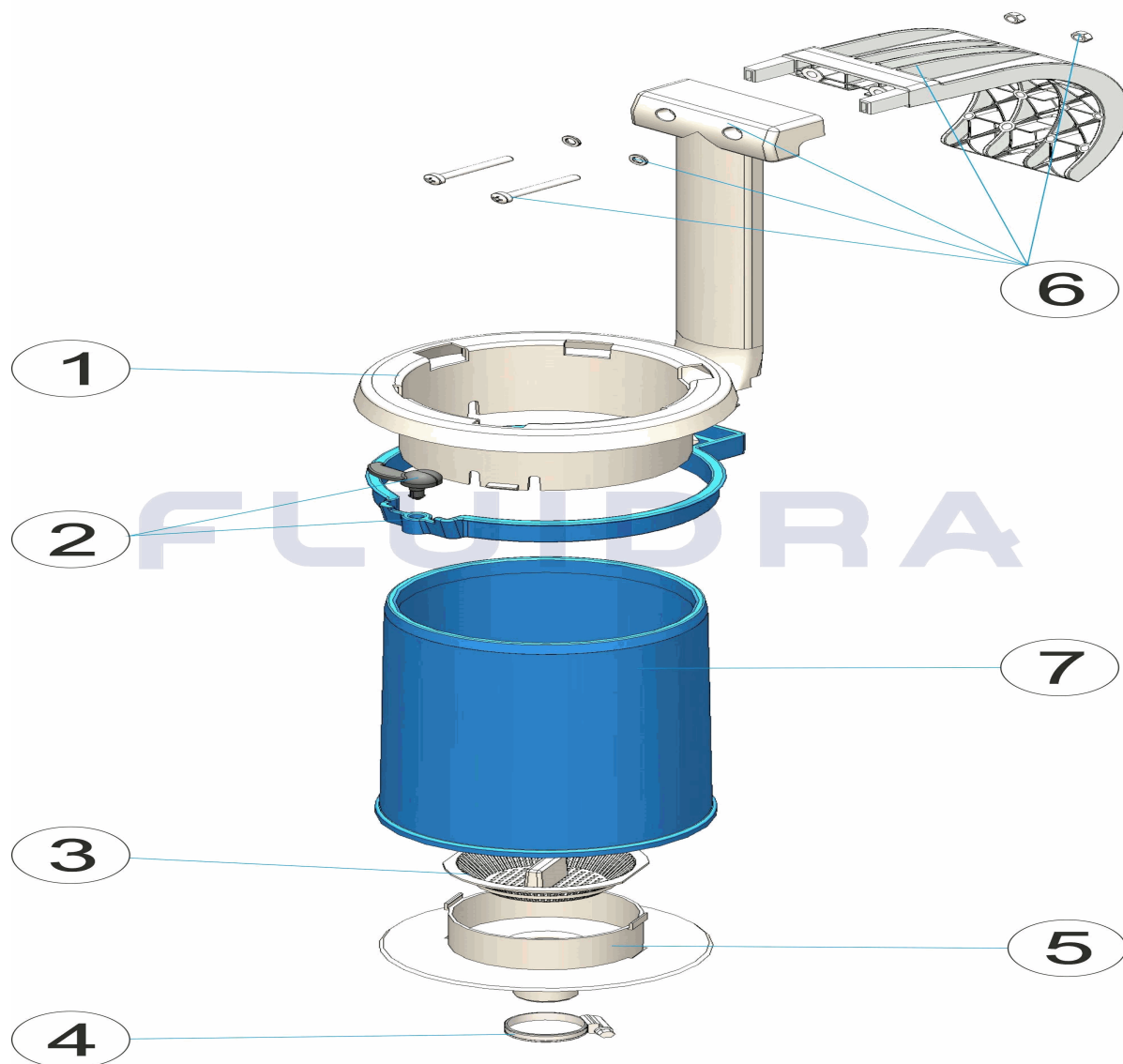


DEUTSCH

POS	CODE	BESCHREIBUNG	MENGE	POS	CODE	BESCHREIBUNG	MENGE
1	CE11030501	SCHWIMMER SKIMM-FILTER		5	CE11030000	FIXIERSET SKIMMER	
2	CE11030803	HILFSFLANSCH SKIMMFILTER		6	16573R0001	BASIS SKIMMER SCHWIMMEND	
3	CE11030502	SKIMMKORB - FILTER SCHWIMMEND		7	11054R0001	GEHÄUSE SKIMMFILTER 4,5 M3/H	
4	CE11030503	SHELLE					

CODIGO 18829

DESCRIÇÃO: SKIMFILTER INTERIOR PISCINA CHAPA AUTOPORTANTE


PORTUGUES

POS	CODIGO	DESCRIÇÃO	JANTIDADE	POS	CODIGO	DESCRIÇÃO	JANTIDADE
1	CE11030501	FLUTUADOR SKIMM-FILTER		5	CE11030000	CONJ. FIXAÇÃO SKIMMER PIS..	
2	CE11030803	FLANGE SUPORTE SKIMFILTER		6	16573R0001	BASE SKIMMER FLUTUANTE	
3	CE11030502	CESTA SKIMM-FILTER FLUTUANTE		7	11054R0001	CORPO FILTRO SKIMMER 4,5 M3/H.	
4	CE11030503	ABRAÇADEIRA					