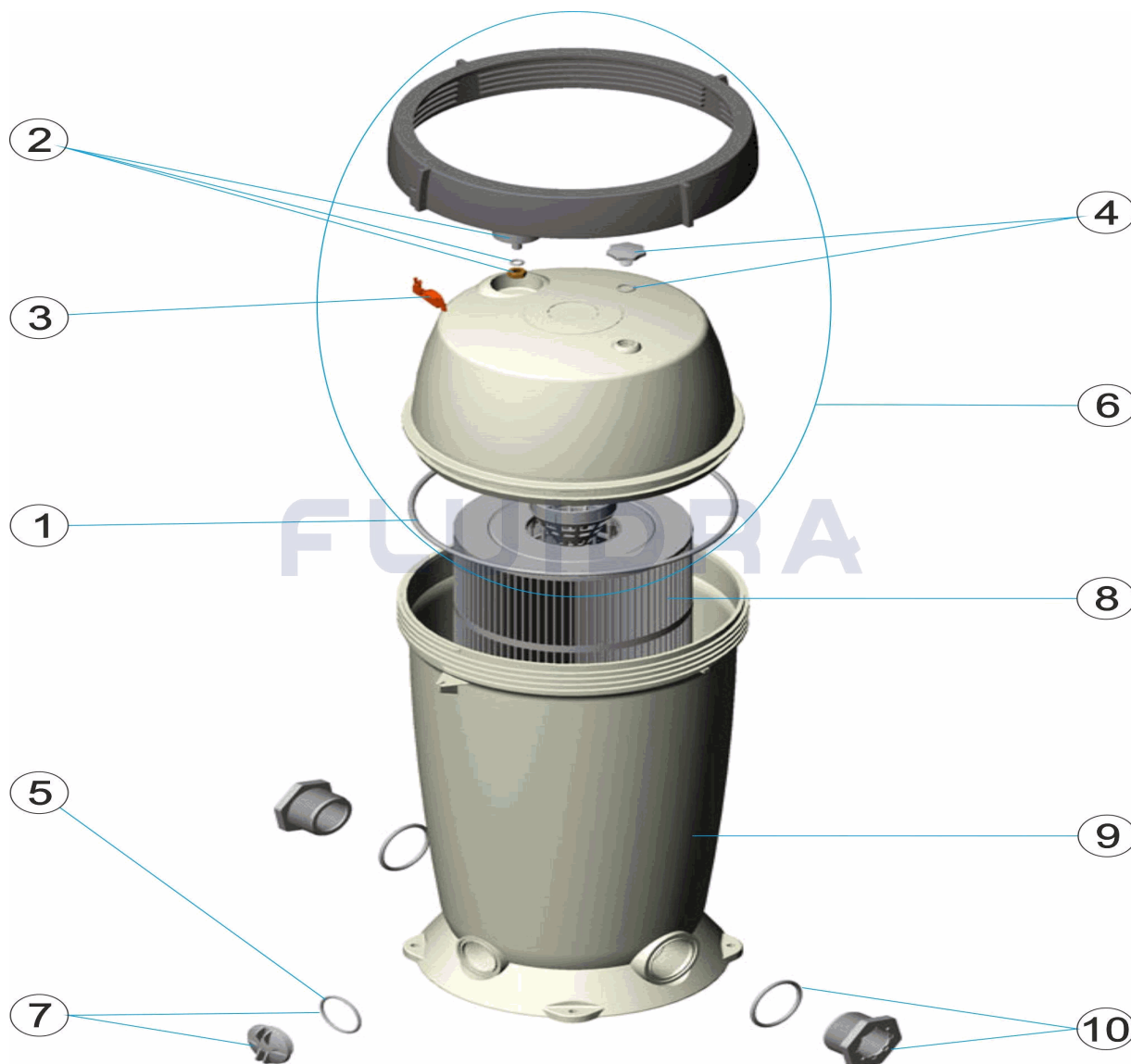


CODIGO 18112, 18220

DESCRIPCION: FILTRO TERRA 100 Y 150



ESPAÑOL

| POS | CODIGO | DESCRIPCION | CANTIDAD | POS | CODIGO | DESCRIPCION | CANTIDAD |
|-----|--------------|---------------------------|----------|-----|--------------|---------------------------|----------|
| 1 | 4404210302 | JUNTA TORICA | | 6 | * 4404130412 | TAPA ALTA FILTRO CARTUCHO | |
| 2 | 4404210303 | MANOMETRO DIATOMEAS | | 7 | 4404210309 | TAPON VACIADO Y JUNTA | |
| 3 | 4404210403 | PALANCA DE SEGURIDAD | | 8 | * 4404130410 | CARTUCHO FILTRO TERRA 100 | |
| 4 | 4404210304 | TAPON PURGA Y JUNTA | | 8 | * 4404130413 | CARTUCHO FILTRO TERRA 150 | |
| 5 | 4404210408 | JUNTA TORICA | | 9 | 18111R0001 | CUERPO ALTO BSP | |
| 6 | * 4404130411 | TAPA BAJA FILTRO CARTUCHO | | 10 | 4404210307 | MANGUITO REDUCCION BSP | |

CODIGO 18112, 18220

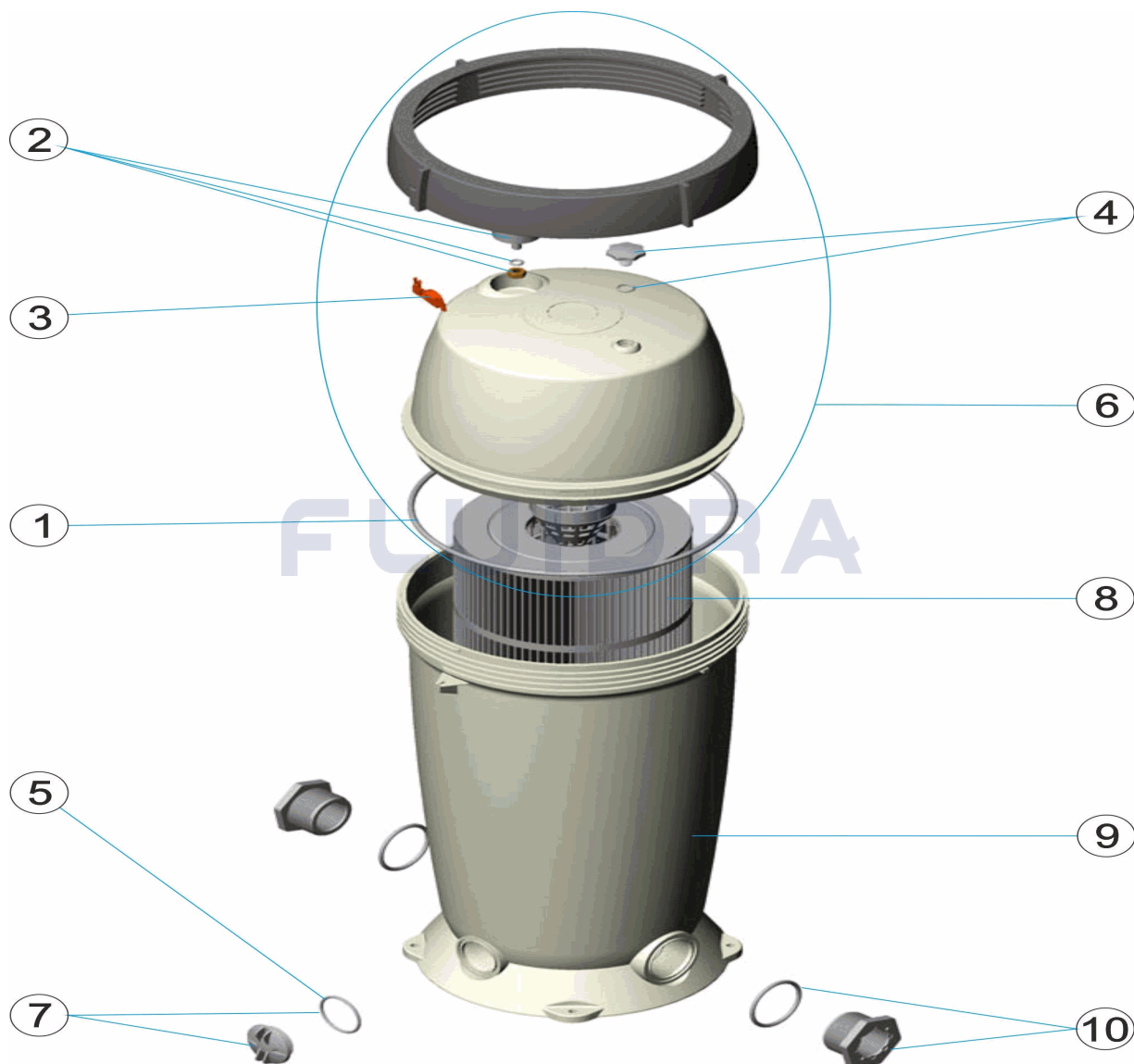
DESCRIPCION: FILTRO TERRA 100 Y 150

OBSERVACIONES

| POS | CODIGO | OBSERVACIONES |
|-----|--------------|---------------|
| 6 | * 4404130411 | PARA: 18112 |
| 6 | * 4404130412 | PARA: 18220 |
| 8 | * 4404130410 | PARA: 18112 |
| 8 | * 4404130413 | PARA: 18220 |

CODE 18112, 18220

DESCRIPTION: FILTRE TERRA 100 ET 150



FRANCAIS

| POS | CODE | DESCRIPTION | QUANTITE | POS | CODE | DESCRIPTION | QUANTITE |
|-----|--------------|-------------------------------------|----------|-----|--------------|-------------------------------------|----------|
| 1 | 4404210302 | JOINT TORIQUE | | 6 | * 4404130412 | COUVERCLE SUPERIEUR DE FILTRE A CAF | |
| 2 | 4404210303 | MANOMETRE " DIATOMEA " | | 7 | 4404210309 | BOUCHON DE VIDANGE ET JOINT | |
| 3 | 4404210403 | ECROU PLASTIQUE | | 8 | * 4404130410 | CARTOUCHE DE FILTRE TERRA 100 | |
| 4 | 4404210304 | BOUCHON PURGE ET JOINT | | 8 | * 4404130413 | CARTOUCHE DE FILTRE TERRA 150 | |
| 5 | 4404210408 | JOINT TORIQUE | | 9 | 18111R0001 | PARTIE HAUTE | |
| 6 | * 4404130411 | COUVERCLE INFERIEUR DE FILTRE A CAR | | 10 | 4404210307 | MANCHON REDUCTEUR BSP | |

CODE **18112, 18220**

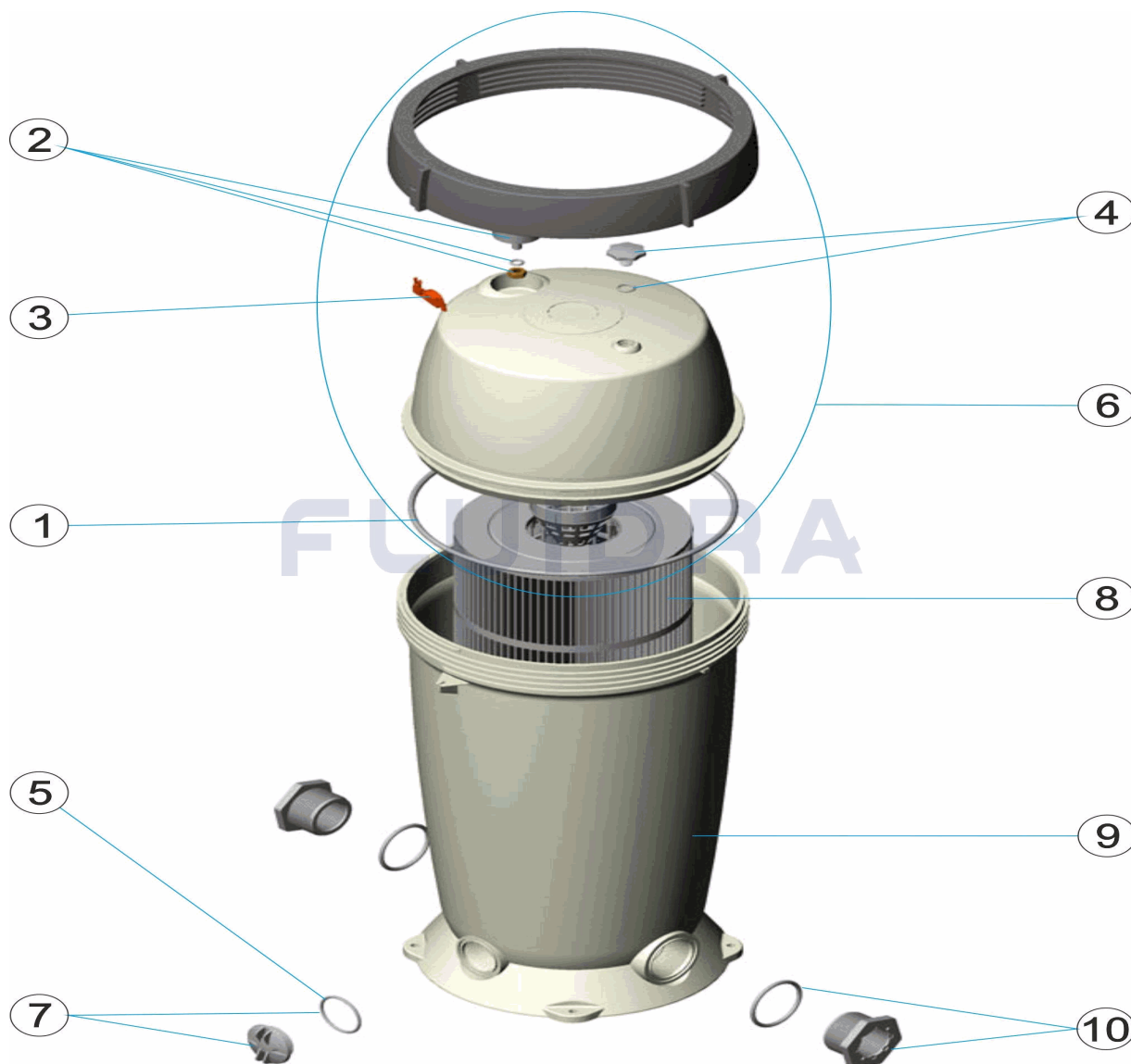
DESCRIPTION: **FILTRE TERRA 100 ET 150**

OBSERVATIONS

| POS | CODE | OBSERVATIONS |
|-----|--------------|--------------|
| 6 | * 4404130411 | POUR: 18112 |
| 6 | * 4404130412 | POUR: 18220 |
| 8 | * 4404130410 | POUR: 18112 |
| 8 | * 4404130413 | POUR: 18220 |

CODE 18112, 18220

DESCRIPTION: TERRA FILTER 100 AND 150



ENGLISH

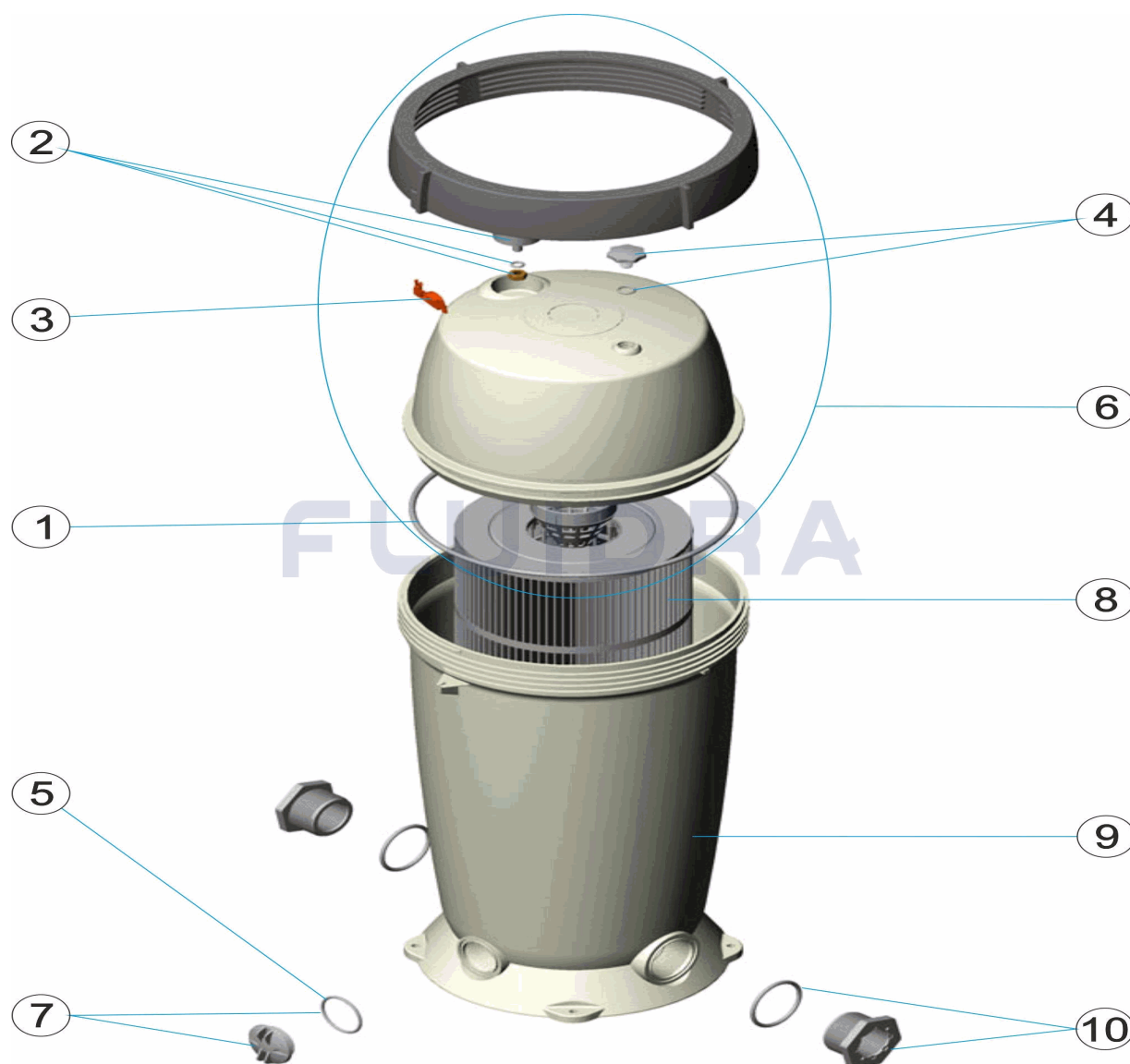
| POS | CODE | DESCRIPTION | QUANTITY | POS | CODE | DESCRIPTION | QUANTITY |
|-----|--------------|-----------------------------|----------|-----|--------------|-------------------------------------|----------|
| 1 | 4404210302 | O' RING | | 6 | * 4404130412 | CARTRIDGE FILTER HIGH LID | |
| 2 | 4404210303 | PRESSURE GAUGE " DIATOMEA " | | 7 | 4404210309 | WASTE PLUG AND GASKET | |
| 3 | 4404210403 | PLASTIC NUT | | 8 | * 4404130410 | TERRA SERIES CARTRIDGE FILTER TERRA | |
| 4 | 4404210304 | DRAIN PLUG AND GASKET | | 8 | * 4404130413 | TERRA SERIES CARTRIDGE FILTER TERRA | |
| 5 | 4404210408 | O' RING | | 9 | 18111R0001 | HIGH BODY | |
| 6 | * 4404130411 | CARTRIDGE FILTER LOW LID | | 10 | 4404210307 | BSP REDUCER HOSE | |

CODE **18112, 18220**DESCRIPTION: **TERRA FILTER 100 AND 150****OBSERVATIONS**

| POS | CODE | OBSERVATIONS |
|-----|--------------|--------------|
| 6 | * 4404130411 | FOR: 18112 |
| 6 | * 4404130412 | FOR: 18220 |
| 8 | * 4404130410 | FOR: 18112 |
| 8 | * 4404130413 | FOR: 18220 |

CODICE 18112, 18220

DESCRIZIONE: FILTRO TERRA 100 E 150



ITALIANO

| POS | CODICE | DESCRIZIONE | QUANTITA' | POS | CODICE | DESCRIZIONE | QUANTITA' |
|-----|--------------|----------------------------------|-----------|-----|--------------|-------------------------------------|-----------|
| 1 | 4404210302 | O-RING | | 6 | * 4404130412 | COPERCHIO ALTO FILTRO CARTUCCIA | |
| 2 | 4404210303 | MANOMETRO " DIATOMEA " | | 7 | 4404210309 | TAPPO SVUOTAMENTO E GUARNIZIONE | |
| 3 | 4404210403 | DADO DI PLASTICA | | 8 | * 4404130410 | CARTUCCIA RICAMBIO PER FILTRO TERRA | |
| 4 | 4404210304 | TAPPO SPURGO E GUARNIZIONE | | 8 | * 4404130413 | CARTUCCIA RICAMBIO PER FILTRO TERRA | |
| 5 | 4404210408 | O-RING | | 9 | 18111R0001 | COPERCHIO ALTO FILTRO TERRA | |
| 6 | * 4404130411 | COPERCHIO BASSO FILTRO CARTUCCIA | | 10 | 4404210307 | MANICOTTO RIDUZIONE BSP | |

CODICE 18112, 18220

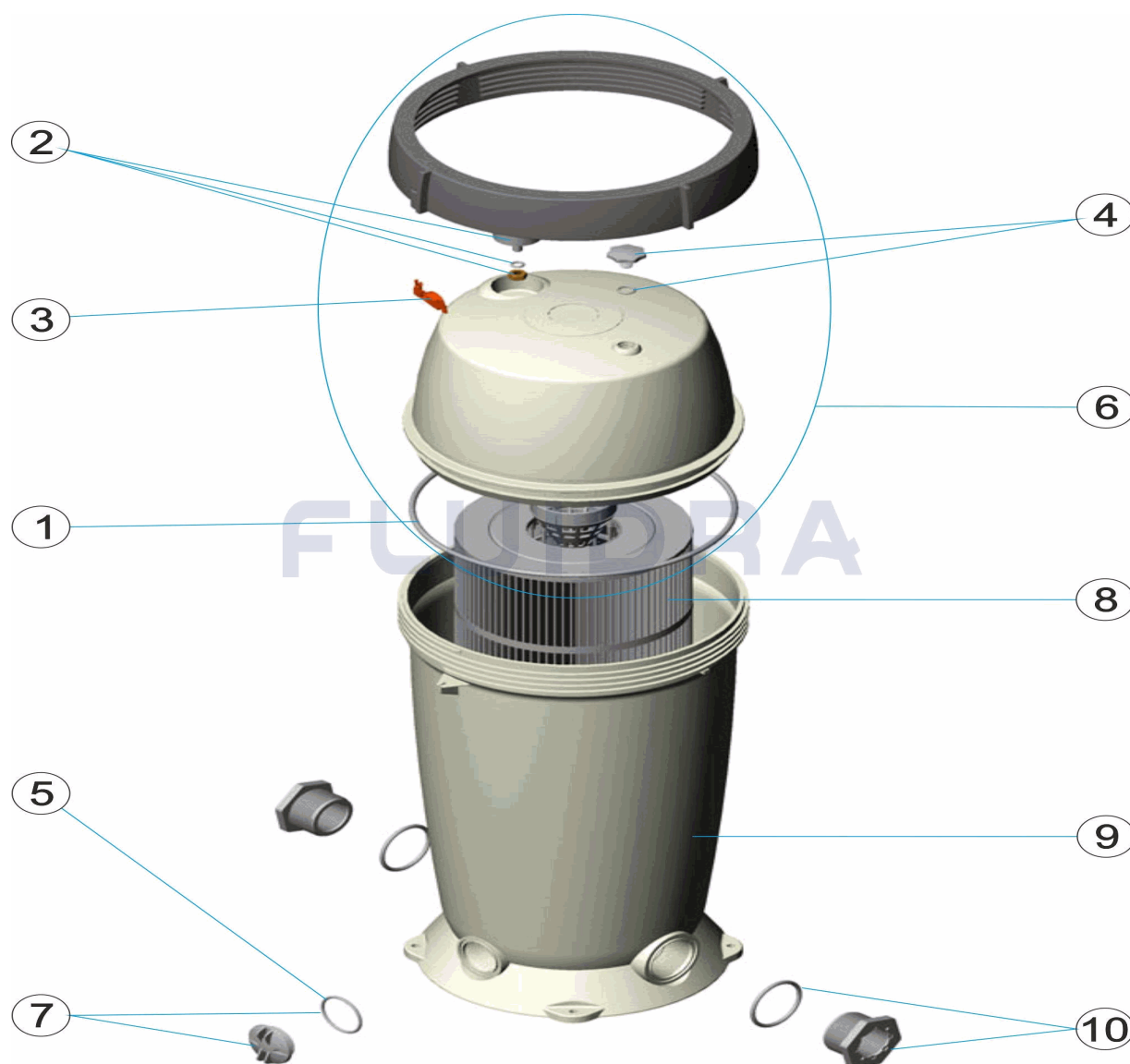
DESCRIZIONE: FILTRO TERRA 100 E 150

OSSERVAZIONI

| POS | CODICE | OSSERVAZIONI |
|-----|--------------|--------------|
| 6 | * 4404130411 | PER: 18112 |
| 6 | * 4404130412 | PER: 18220 |
| 8 | * 4404130410 | PER: 18112 |
| 8 | * 4404130413 | PER: 18220 |

CODE 18112, 18220

BESCHREIBUNG: FILTER TERRA 100 UND 150



DEUTSCH

| POS | CODE | BESCHREIBUNG | MENGE | POS | CODE | BESCHREIBUNG | MENGE |
|-----|--------------|----------------------------------|-------|-----|--------------|---------------------------------|-------|
| 1 | 4404210302 | O-RING | | 6 | * 4404130412 | ABDECKUNG OBEN KARTUSCHENFILTER | |
| 2 | 4404210303 | MANOMETER DIATOMEAS | | 7 | 4404210309 | ABLASSSTOPFEN UND DICHTUNG | |
| 3 | 4404210403 | SICHERUNG | | 8 | * 4404130410 | FILTERKARTUSCHE TERRA 100 | |
| 4 | 4404210304 | ABLASSSTOPFEN UND DICHTUNG | | 8 | * 4404130413 | FILTERKARTUSCHE TERRA 150 | |
| 5 | 4404210408 | O-RING | | 9 | 18111R0001 | GEHÄUSE HOCH BSP | |
| 6 | * 4404130411 | ABDECKUNG UNTEN KARTUSCHENFILTER | | 10 | 4404210307 | REDUZIERNIPPEL BSP | |

CODE **18112, 18220**

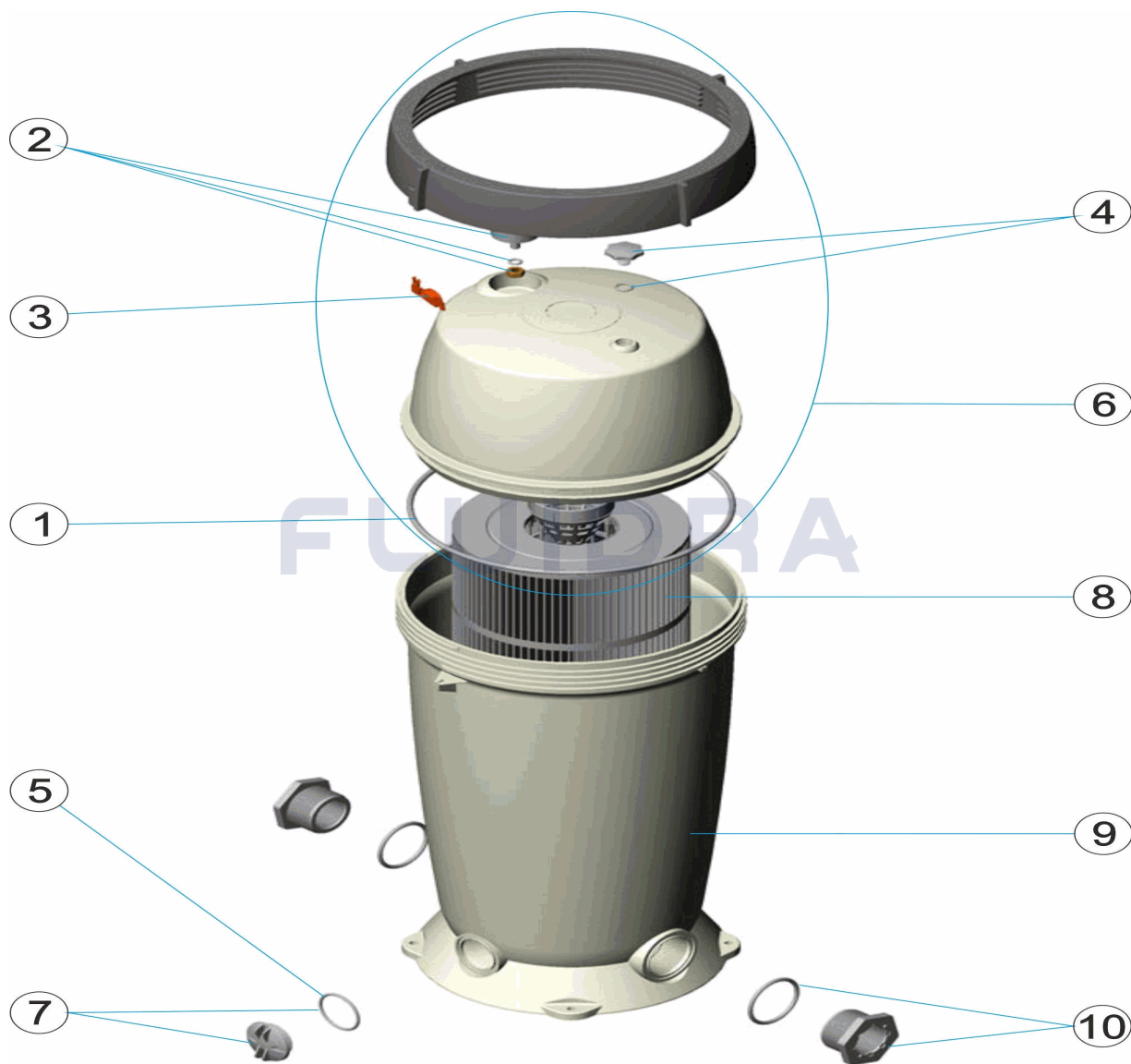
BESCHREIBUNG: **FILTER TERRA 100 UND 150**

HINWEISE

| POS | CODE | HINWEISE |
|-----|--------------|------------|
| 6 | * 4404130411 | FÜR: 18112 |
| 6 | * 4404130412 | FÜR: 18220 |
| 8 | * 4404130410 | FÜR: 18112 |
| 8 | * 4404130413 | FÜR: 18220 |

CODIGO 18112, 18220

DESCRIÇÃO: FILTRO TERRA 100 E 150



PORTUGUES

| POS | CODIGO | DESCRIÇÃO | JANTIDADE | POS | CODIGO | DESCRIÇÃO | JANTIDADE |
|-----|--------------|-----------------------------|-----------|-----|--------------|-----------------------------|-----------|
| 1 | 4404210302 | JUNTA TÓRICA | | 6 | * 4404130412 | TAMPA ALTA FILTRO CARTUCHO | |
| 2 | 4404210303 | MANOMETRO " DIATOMEA " | | 7 | 4404210309 | TAMPÃO ESVAZIAMENTO E JUNTA | |
| 3 | 4404210403 | PORCA PLÁSTICO | | 8 | * 4404130410 | CARTUCHO FILTRO TERRA 100 | |
| 4 | 4404210304 | TAMPÃO PURGA E JUNTA | | 8 | * 4404130413 | CARTUCHO FILTRO TERRA 150 | |
| 5 | 4404210408 | JUNTA TÓRICA | | 9 | 18111R0001 | CORPO ALTO | |
| 6 | * 4404130411 | TAMPA BAIXA FILTRO CARTUCHO | | 10 | 4404210307 | MANGUITO REDUÇÃO BSP | |

CODIGO 18112, 18220

DESCRIÇÃO: FILTRO TERRA 100 E 150

OBSERVACÕES

| POS | CODIGO | OBSERVACÕES |
|-----|--------------|-------------|
| 6 | * 4404130411 | PARA: 18112 |
| 6 | * 4404130412 | PARA: 18220 |
| 8 | * 4404130410 | PARA: 18112 |
| 8 | * 4404130413 | PARA: 18220 |