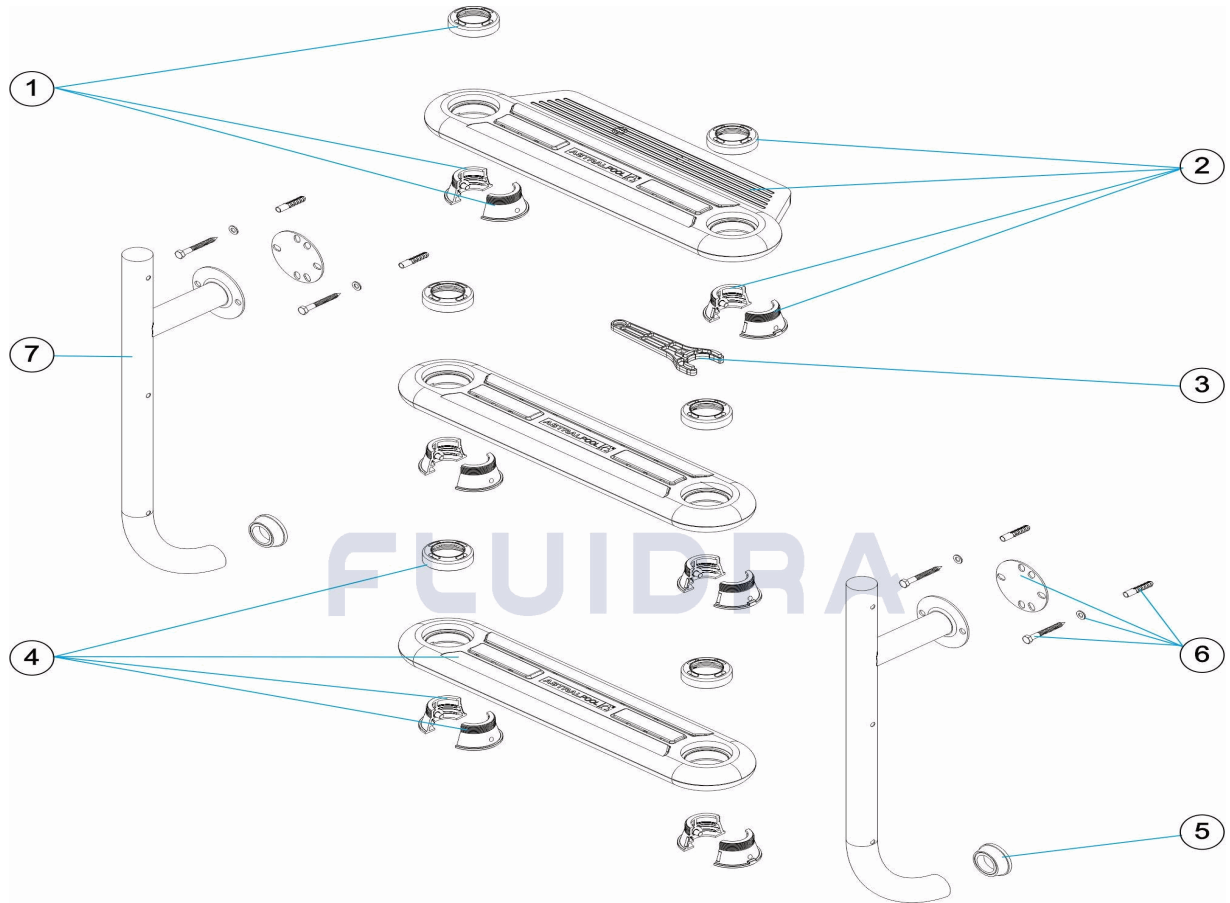
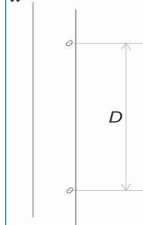


CODIGO **41324, 41325**

DESCRIPCION: **ESCALERA KOMFORT SPLIT 3-4 PELDAÑOS**



\*  

 Si D=25cm: Pasamanos modelo antiguo (no se fabrica). Hay que comprar 2 uds. de pasamano del modelo actual (D=26cm).  
 If D=25cm: Old handrail (obsolete). You have to buy 2 uds. of current handrail (D=26cm).  
 Si D=26cm: Pasamanos modelo actual.  
 If D=26cm: Current handrail.

**ESPAÑOL**

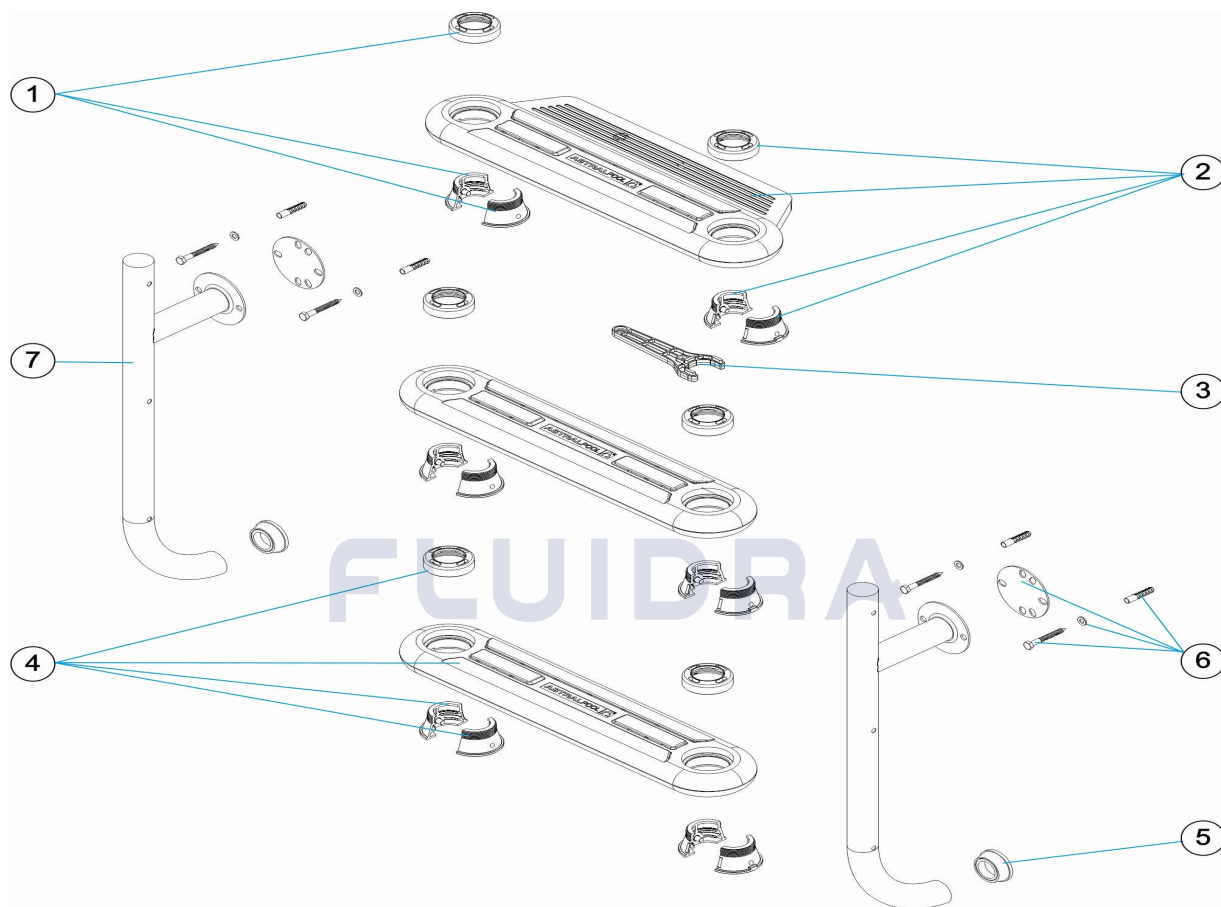
POS	CODIGO	DESCRIPCION	CANTIDAD	POS	CODIGO	DESCRIPCION	CANTIDAD
1	4401012901	CJTO. FIJACION PELDAÑO	5	4401010112	TOPE ESCALERA		
2	4401012902	CJTO. PELDAÑO DOBLE	6	4401010802	TORNILLERIA FIJACION ESCALERA 316		
3	4401012903	LLAVE DE APRIETE	7	* 01457R0200	PASAMANO 3 PELDAÑOS AISI-316		
4	4401012904	CJTO. PELDAÑO	7	* 01458R0200	PASAMANO 4 PELDAÑOS AISI-316		

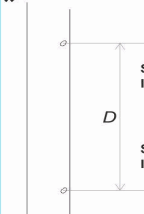
CODIGO **41324, 41325**DESCRIPCION: **ESCALERA KOMFORT SPLIT 3-4 PELDAÑOS****OBSERVACIONES**

POS	CODIGO	OBSERVACIONES
7	* 01457R0200	PARA: 41324 SEE COMMENTS *
7	* 01458R0200	PARA: 41325 SEE COMMENTS *

CODE 41324, 41325

DESCRIPTION: ESCALIER KOMFORT SPLIT 3-4 MARCHES



\*  
  
 Si D=25cm: Pasamanos modelo antiguo (no se fabrica). Hay que comprar 2 uds. de pasamano del modelo actual (D=26cm).  
 If D=25cm: Old handrail (obsolete). You have to buy 2 uts. of current handrail (D=26cm).  
 Si D=26cm: Pasamanos modelo actual.  
 If D=26cm: Current handrail.

FRANCAIS

POS	CODE	DESCRIPTION	QUANTITE	POS	CODE	DESCRIPTION	QUANTITE
1	4401012901	ENSEMBLE FIXATION MARCHE		5	4401010112	TAMPON D'ÉCHELLE	
2	4401012902	ENSEMBLE MARCHE DOUBLE		6	4401010802	VISSERIE FIXATION ECHELLE 316	
3	4401012903	CLE DE SERRAGE		7	* 01457R0200	MAIN COURANTE 3 MARCHES AISI 316	
4	4401012904	ENSEMBLE MARCHE		7	* 01458R0200	MAIN COURANTE 4 MARCHES AISI 316	

CODE **41324, 41325**

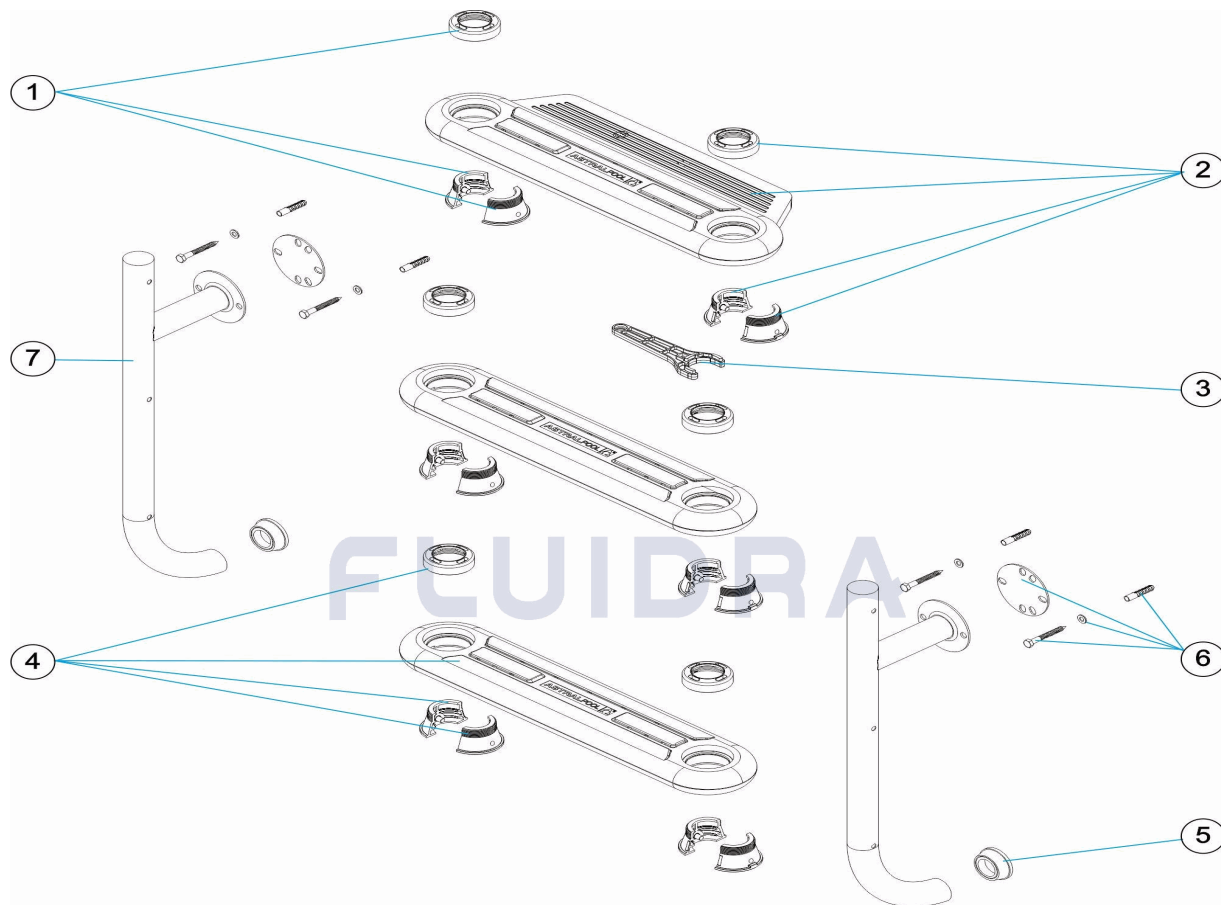
DESCRIPTION: **ESCALIER KOMFORT SPLIT 3-4 MARCHES**

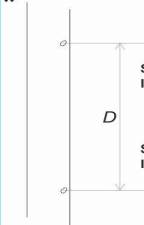
**OBSERVATIONS**

POS	CODE	OBSERVATIONS
7	* 01457R0200	POUR: 41324 SEE COMMENTS *
7	* 01458R0200	POUR: 41325 SEE COMMENTS *

CODE 41324, 41325

DESCRIPTION: KOMFORT SPLIT LADDER 3-4 STEPS



\*  

 Si D=25cm: Pasamanos modelo antiguo (no se fabrica). Hay que comprar 2 uds. de pasamano del modelo actual (D=26cm).  
 If D=25cm: Old handrail (obsolete). You have to buy 2 uts. of current handrail (D=26cm).  
 Si D=26cm: Pasamanos modelo actual.  
 If D=26cm: Current handrail.

**ENGLISH**

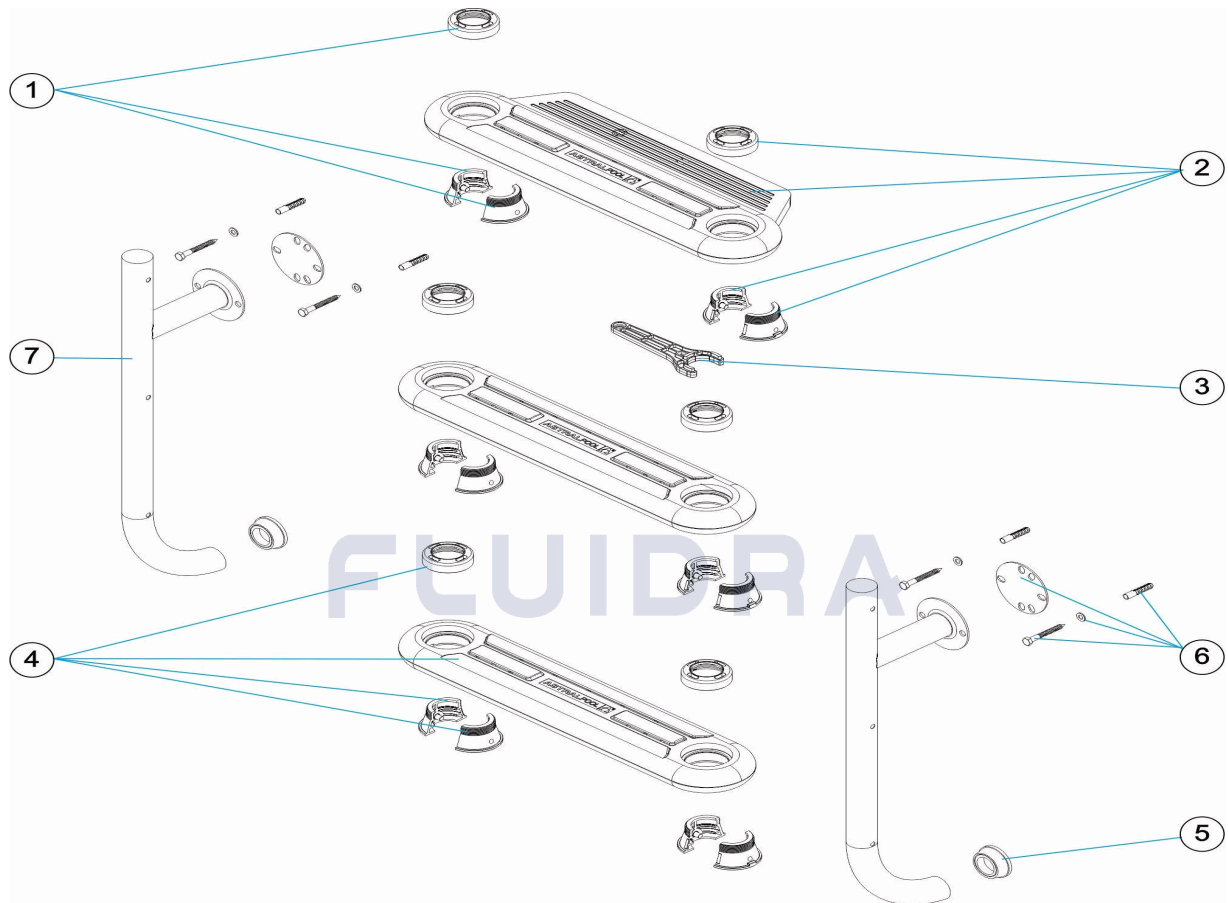
POS	CODE	DESCRIPTION	QUANTITY	POS	CODE	DESCRIPTION	QUANTITY
1	4401012901	FIXING SET FOR STEP		5	4401010112	LADDER END CAP	
2	4401012902	SET DOUBLE STEP		6	4401010802	FLANGE SET 316	
3	4401012903	FIXING KEY		7	* 01457R0200	SHORT 3 TREAD LADDER HANDRAIL	
4	4401012904	STEP KIT		7	* 01458R0200	SHORT 4 TREAD LADDER HANDRAIL	

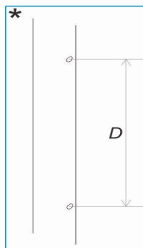
CODE **41324, 41325**DESCRIPTION: **KOMFORT SPLIT LADDER 3-4 STEPS****OBSERVATIONS**

POS	CODE	OBSERVATIONS
7	* 01457R0200	FOR: 41324 SEE COMMENTS *
7	* 01458R0200	FOR: 41325 SEE COMMENTS *

CODICE 41324, 41325

DESCRIZIONE: SCALA KOMFORT SPLIT 3-4 SCALINI



\*  
  
 Si D=25cm: Pasamanos modelo antiguo (no se fabrica). Hay que comprar 2 uds. de pasamano del modelo actual (D=26cm).  
 If D=25cm: Old handrail (obsolete). You have to buy 2 uts. of current handrail (D=26cm).  
 Si D=26cm: Pasamanos modelo actual.  
 If D=26cm: Current handrail.

ITALIANO

POS	CODICE	DESCRIZIONE	QUANTITA'	POS	CODICE	DESCRIZIONE	QUANTITA'
1	4401012901	KIT FISSAGGIO GRADINO		5	4401010112	TAPPO SCALA	
2	4401012902	KIT GRADINO DOPPIO		6	4401010802	BULLONERIA FISSAGGIO SCALA 316	
3	4401012903	CHIAVE		7	* 01457R0200	CORRIMANO CORTO SCALA 3 GR.	
4	4401012904	KIT GRADINO		7	* 01458R0200	CORRIMANO CORTO SCALA 4 GR.	

**CODICE 41324, 41325**

**DESCRIZIONE: SCALA KOMFORT SPLIT 3-4 SCALINI**

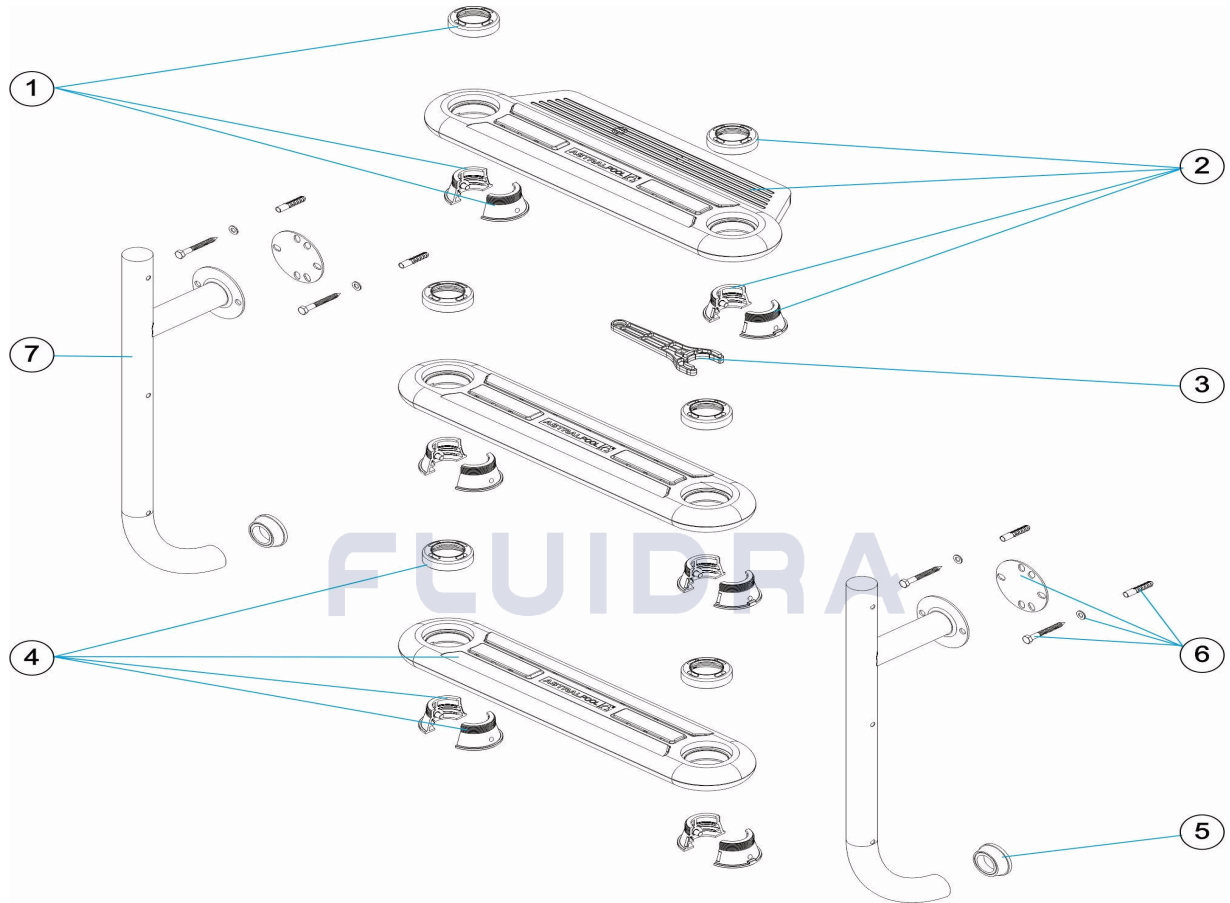
**OSSERVAZIONI**

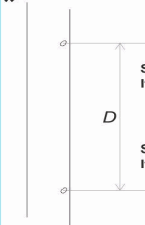
POS	CODICE	OSSERVAZIONI
7	* 01457R0200	PER: 41324 SEE COMMENTS *
7	* 01458R0200	PER: 41325 SEE COMMENTS *



CODE **41324, 41325**

BESCHREIBUNG: **TREPPE KOMFORT SPLIT 3-4 STUFEN**



\*  

 Si D=25cm: Pasamanos modelo antiguo (no se fabrica). Hay que comprar 2 uds. de pasamano del modelo actual (D=26cm).  
 If D=25cm: Old handrail (obsolete). You have to buy 2 uts. of current handrail (D=26cm).  
 Si D=26cm: Pasamanos modelo actual.  
 If D=26cm: Current handrail.

**DEUTSCH**

POS	CODE	BESCHREIBUNG	MENGE	POS	CODE	BESCHREIBUNG	MENGE
1	4401012901	FIXIERSET STUFE	5	4401010112	ABSCHLUSS TREPPE		
2	4401012902	SET STUFE DOPPELT	6	4401010802	FIXIERSCHRAUBEN TREPPE 316		
3	4401012903	SCHLÜSSEL	7	* 01457R0200	HANDLAUF 3 STUFEN AISI - 316		
4	4401012904	SET STUFE	7	* 01458R0200	HANDLAUF 4 STUFEN AISI - 316		

CODE **41324, 41325**

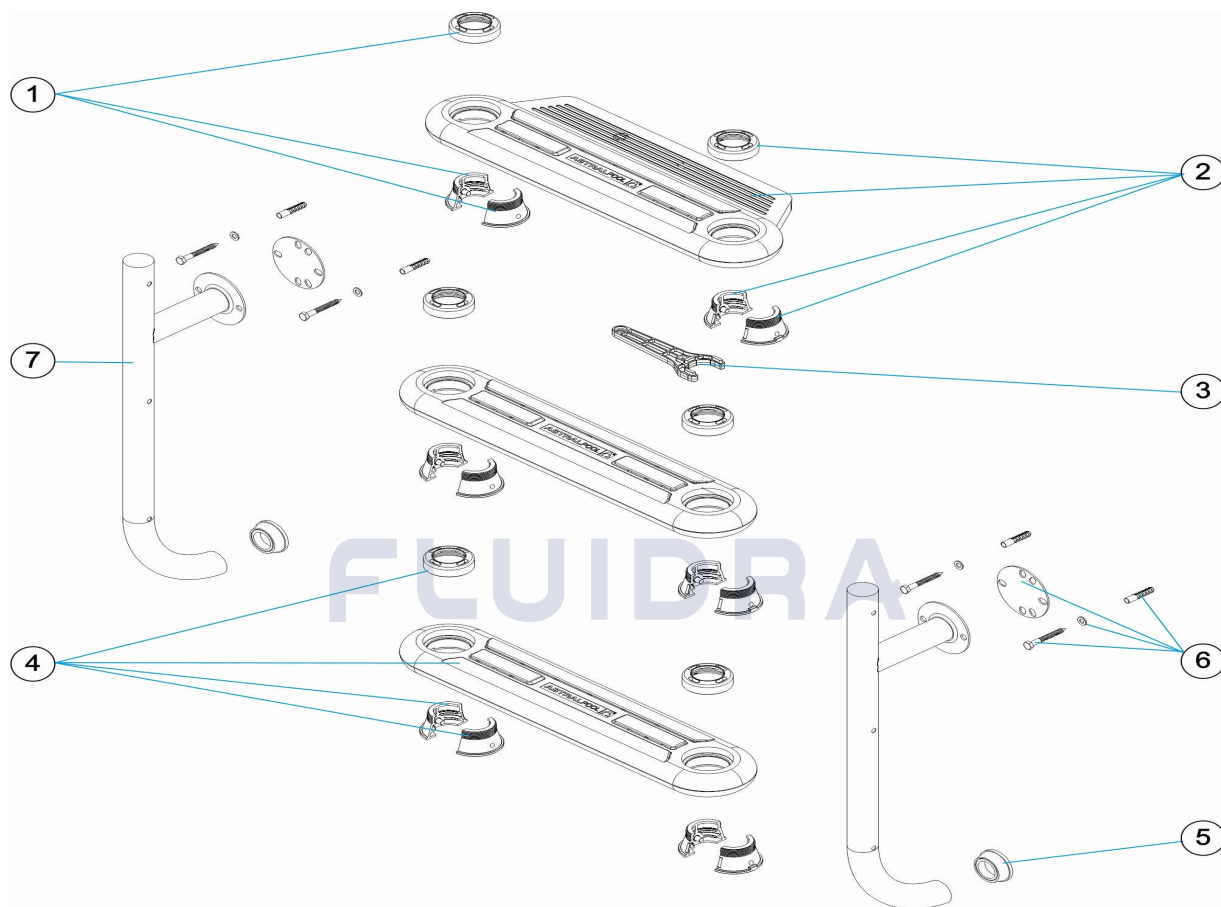
BESCHREIBUNG: **TREPPE KOMFORT SPLIT 3-4 STUFEN**

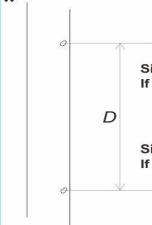
**HINWEISE**

POS	CODE	HINWEISE
7	* 01457R0200	FÜR: 41324 SEE COMMENTS *
7	* 01458R0200	FÜR: 41325 SEE COMMENTS *

CODIGO **41324, 41325**

DESCRIÇÃO: **ESCADA KOMFORT SPLIT 3-4 DEGRAUS**



\*  

 Si D=25cm: Pasamanos modelo antiguo (no se fabrica). Hay que comprar 2 uds. de pasamano del modelo actual (D=26cm).  
 If D=25cm: Old handrail (obsolete). You have to buy 2 uds. of current handrail (D=26cm).  
 Si D=26cm: Pasamanos modelo actual.  
 If D=26cm: Current handrail.

**PORTUGUES**

POS	CODIGO	DESCRIÇÃO	JANTIDADE	POS	CODIGO	DESCRIÇÃO	JANTIDADE
1	4401012901	CJTO FIXAÇÃO DEGRAU	5	4401010112	BATENTE ESCADA		
2	4401012902	CJTO. DEGRAU DUPLO	6	4401010802	PARAFUSOS FIXAÇÃO ESCADA 316		
3	4401012903	CHAVE DE PARAFUSOS	7	* 01457R0200	CORRIMÃO CURTO 3 DEGRAUS		
4	4401012904	CJTO. DEGRAO SIMPLES	7	* 01458R0200	CORRIMÃO CURTO 4 DEGRAUS		

**CODIGO 41324, 41325**

**DESCRIÇÃO: ESCADA KOMFORT SPLIT 3-4 DEGRAUS**

**OBSERVACÕES**

POS	CODIGO	OBSERVACÕES
7	* 01457R0200	PARA: 41324 SEE COMMENTS *
7	* 01458R0200	PARA: 41325 SEE COMMENTS *