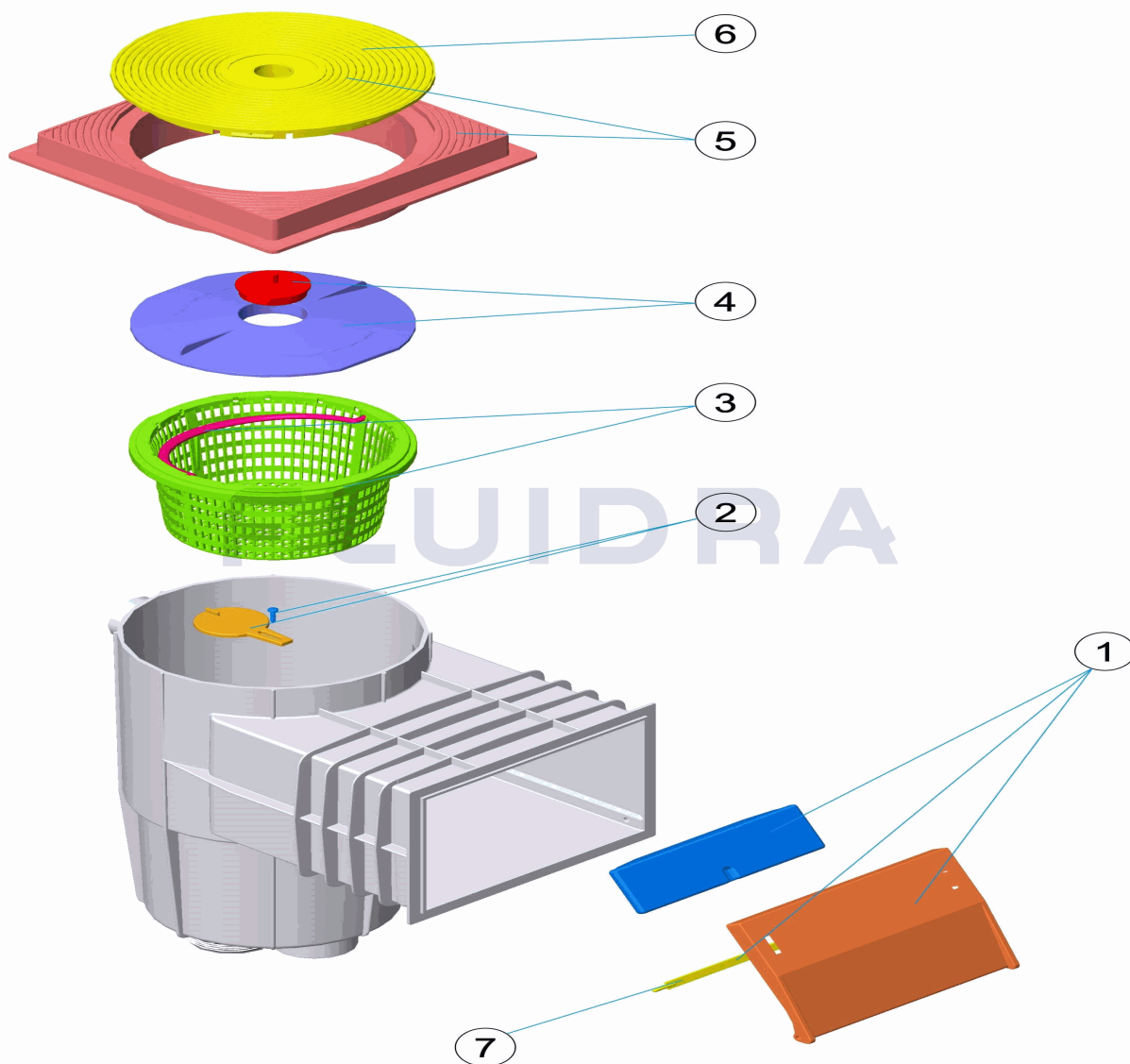


CODIGO **00250**

DESCRIPCION: **SKIMMER 15L PH B. STD. T. CIRC.**

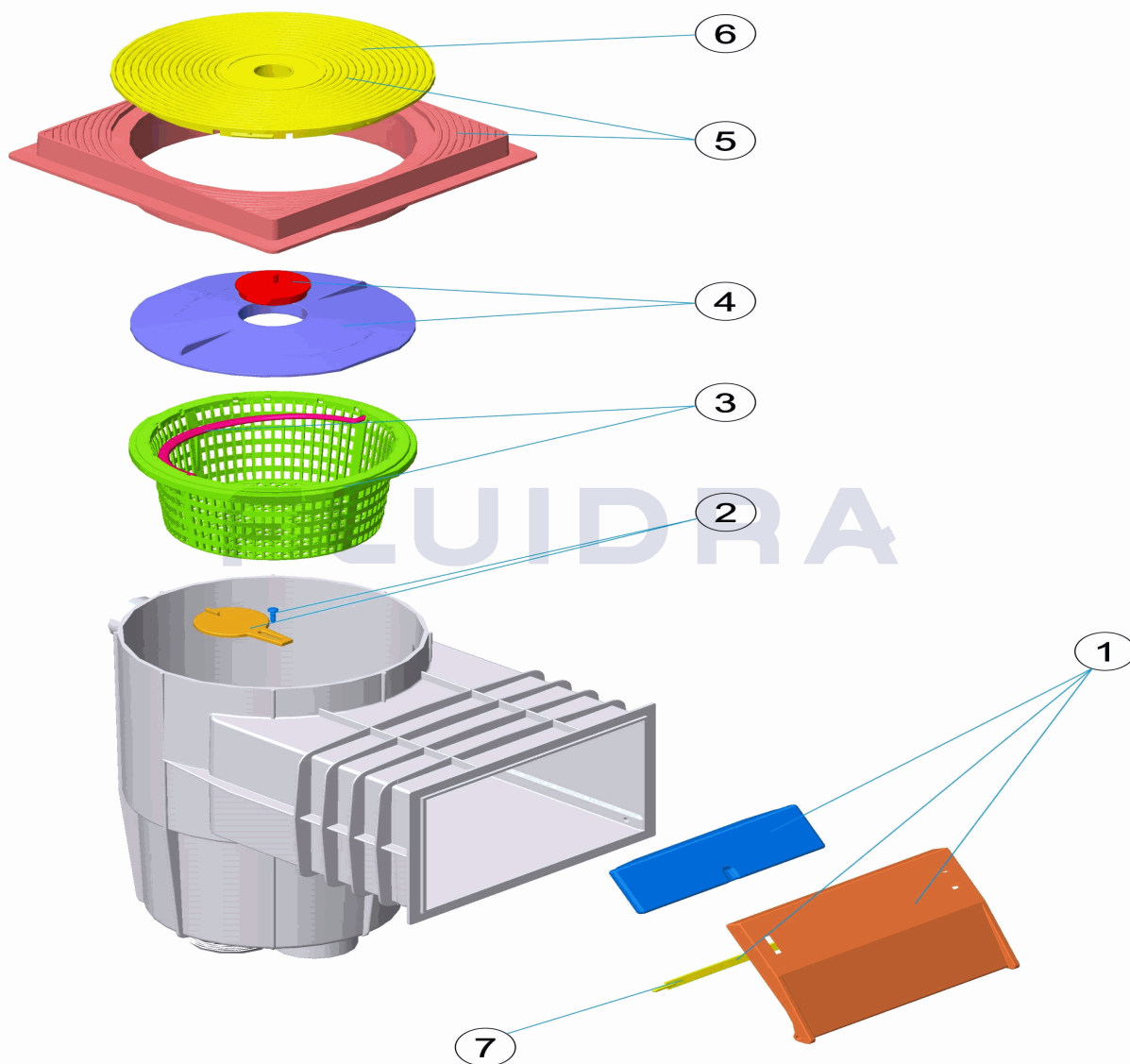


ESPAÑOL

POS	CODIGO	DESCRIPCION	CANTIDAD	POS	CODIGO	DESCRIPCION	CANTIDAD
1	440201011	COMPUERTA SKIMMER BISAGRA	4	4	440201014	TAPA CESTO SKIMMER CON TAPON	
1	440201019	COMPUERTA SKIMMER ANTIGUA	5	5	440201016	TAPA Y ARO CUADRADO SKIMMER	
2	440201012	CLAPETA SKIMMER	6	6	440201018	TAPA CIRCULAR SKIMMER	
3	440201013	CESTO SKIMMER	7	7	4402010110	BISAGRA COMPUERTA	

CODE 00250

DESCRIPTION: SKIMMER 15L PH B. STD. C. CIRC.

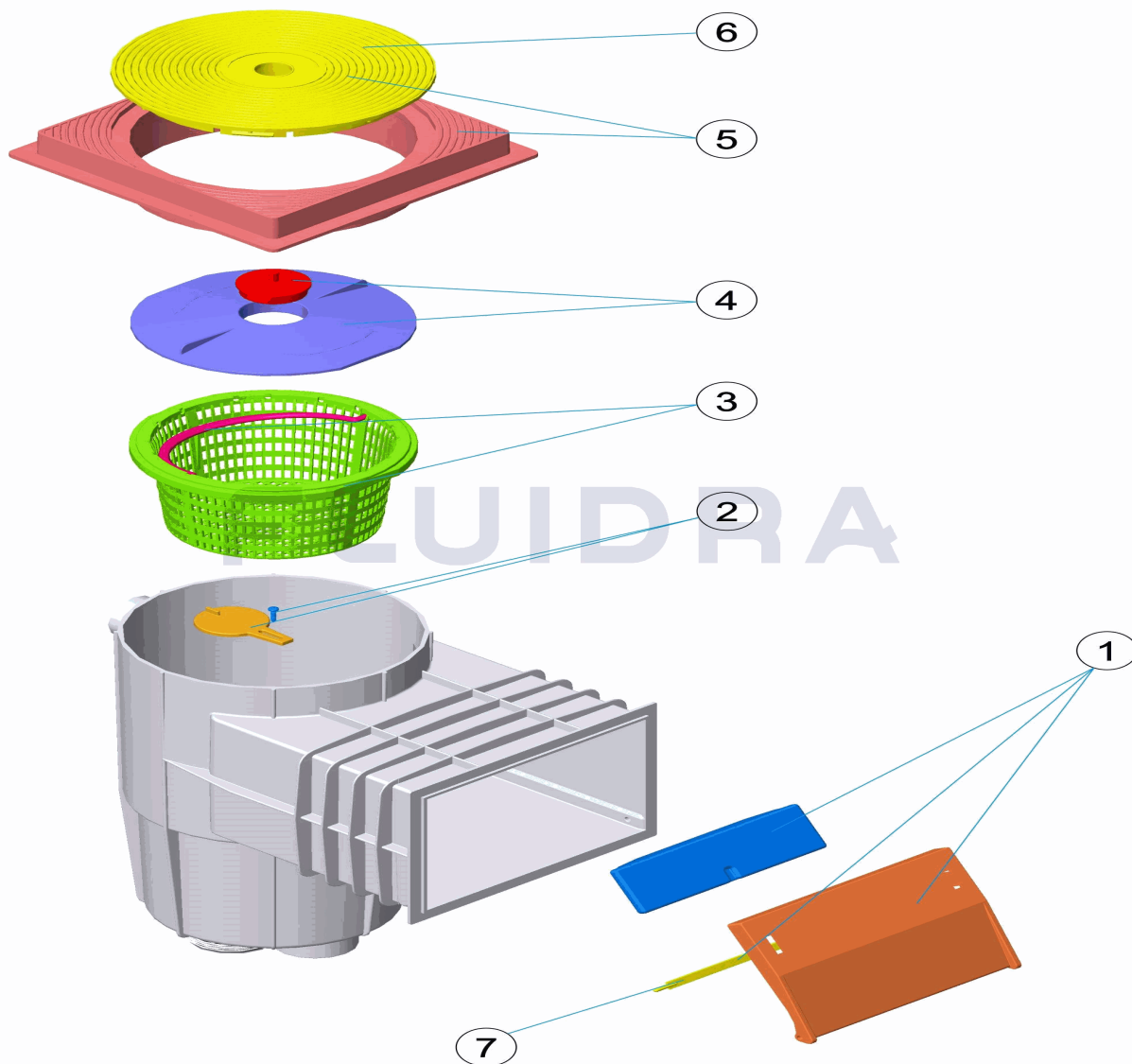


FRANCAIS

POS	CODE	DESCRIPTION	QUANTITE	POS	CODE	DESCRIPTION	QUANTITE
1	440201011	VOLET ET CHARNIERE SKIMMER	4	4	440201014	COUVERCLE PANIER SKIMMER AVEC BOU	
1	440201019	VOLET DE SKIMMER ANCIEN MODÈLE	5	5	440201016	COUVERCLE ET CADRE CARRE SKIMMER	
2	440201012	CLAPET SKIMMER	6	6	440201018	COUVERCLE ROND SKIMMER	
3	440201013	PANIER SKIMMER	7	7	4402010110	CHARNIERE VOLET	

CODE **00250**

DESCRIPTION: **SKIMMER 15L PH B. STD. T. CIRC.**

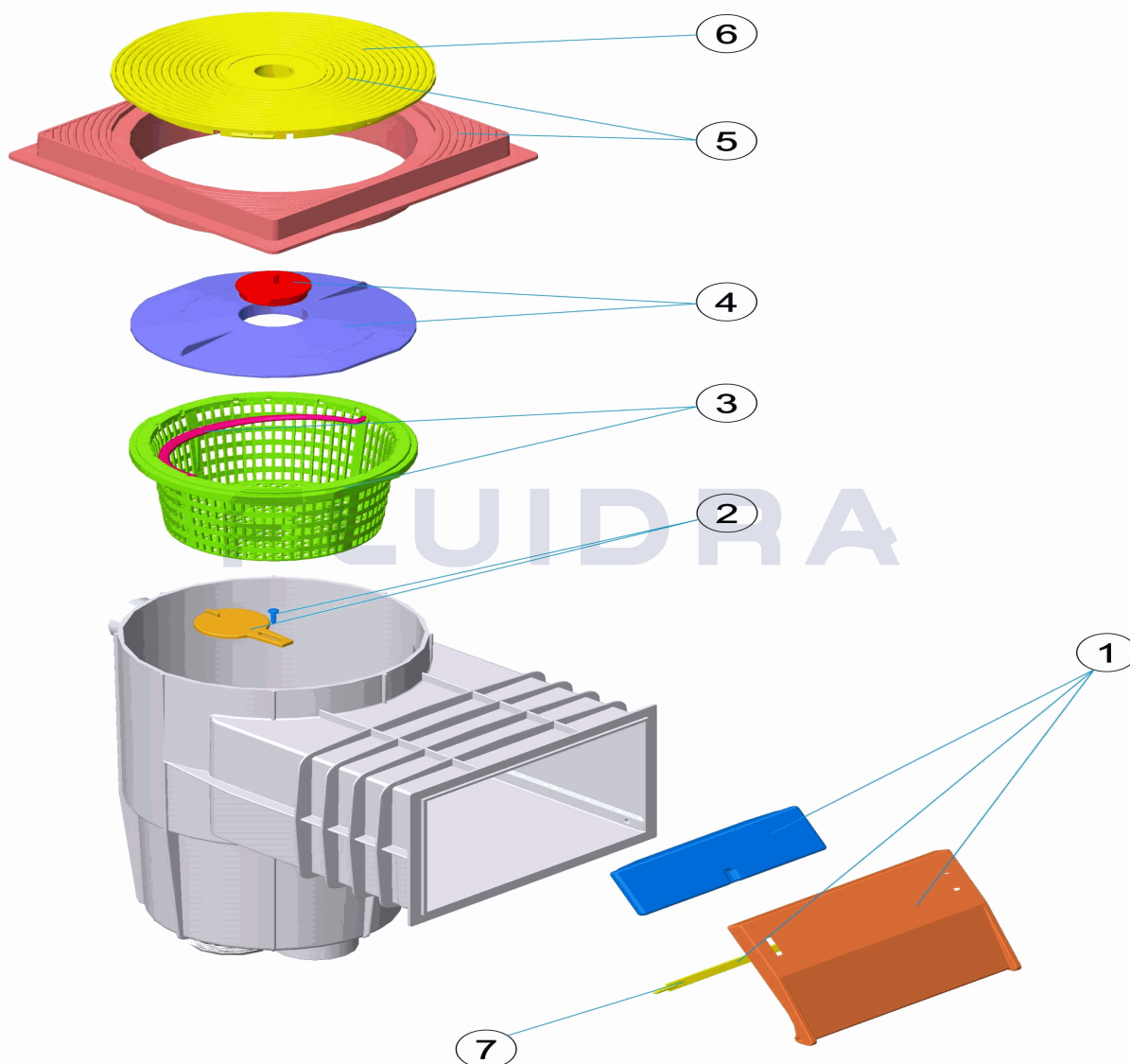


ENGLISH

POS	CODE	DESCRIPTION	QUANTITY	POS	CODE	DESCRIPTION	QUANTITY
1	440201011	FLAP RETAINING CLIP	4	4	440201014	VACUUM PLATE WITH PLUG	
1	440201019	OLD STYLE SKIMMER FLAP	5	5	440201016	SQUARE LID AND LID FRAME	
2	440201012	KEYHOLE FLAP	6	6	440201018	CIRCULAR SKIMMER LID	
3	440201013	SKIMMER BASKET	7	7	4402010110	HINGE FLAP	

CODICE 00250

DESCRIZIONE: SKIMMER 15L PH B. STD. T. CIRC.

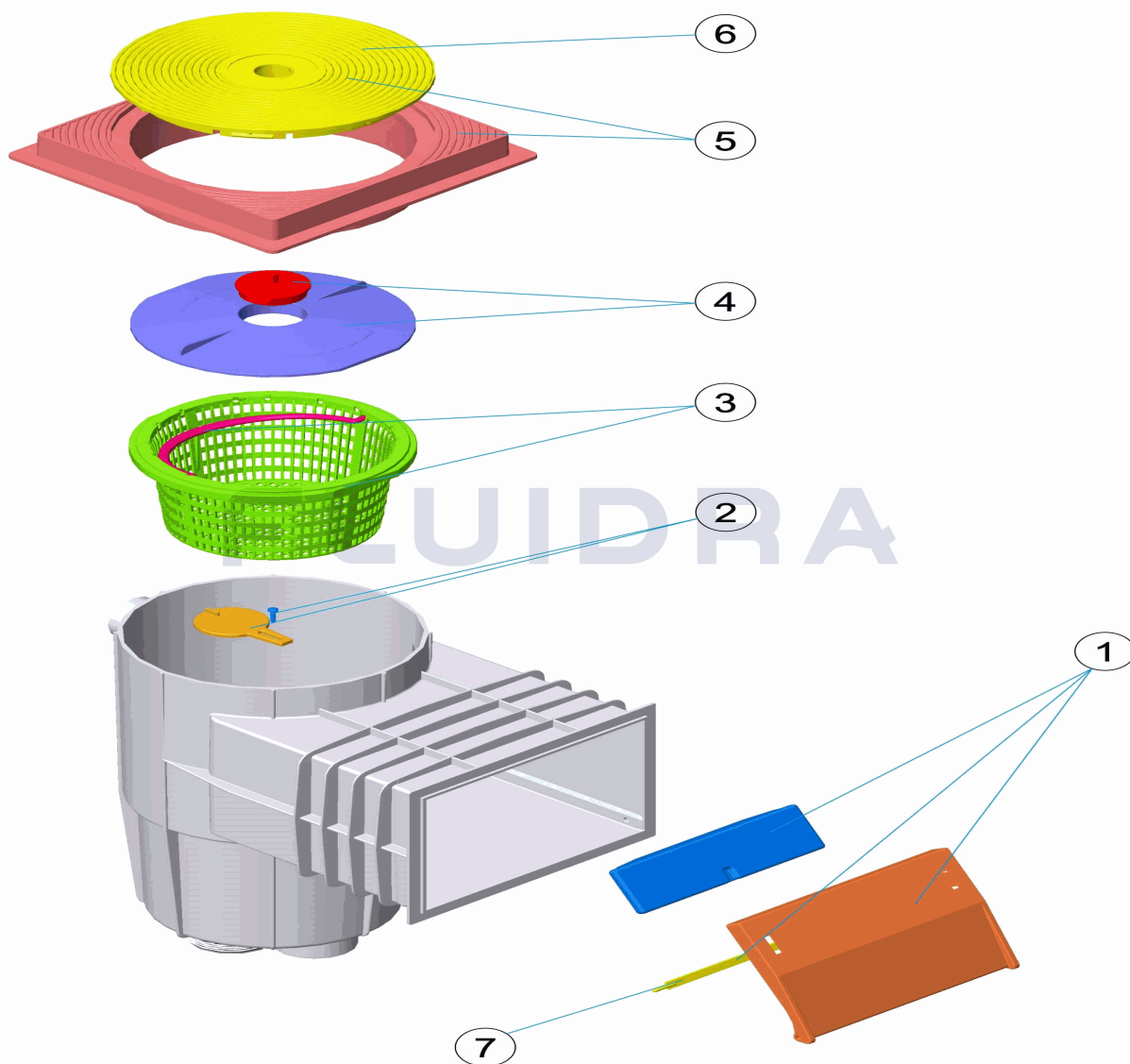


ITALIANO

POS	CODICE	DESCRIZIONE	QUANTITA'	POS	CODICE	DESCRIZIONE	QUANTITA'
1	4402010101	BATTENTE SKIMMER CON PERNO	4	4402010104	COPERCHIO CESTELLO SKIMMER CON TAI		
1	4402010109	BATTENTE SKIMMER T/V	5	4402010106	COPERCHIO E CORNICE QUADRA SKIMME		
2	4402010102	ALETTA PARZIALIZZATRICE SKIMMER	6	4402010108	COPERCHIO TONDO SKIMMER		
3	4402010103	CESTELLO SKIMMER	7	4402010110	CERNIERE BATTENTE		

CODE **00250**

BESCHREIBUNG: **SKIMMER 15L PH EINLASS STANDARD ABDECKUNG RUND**

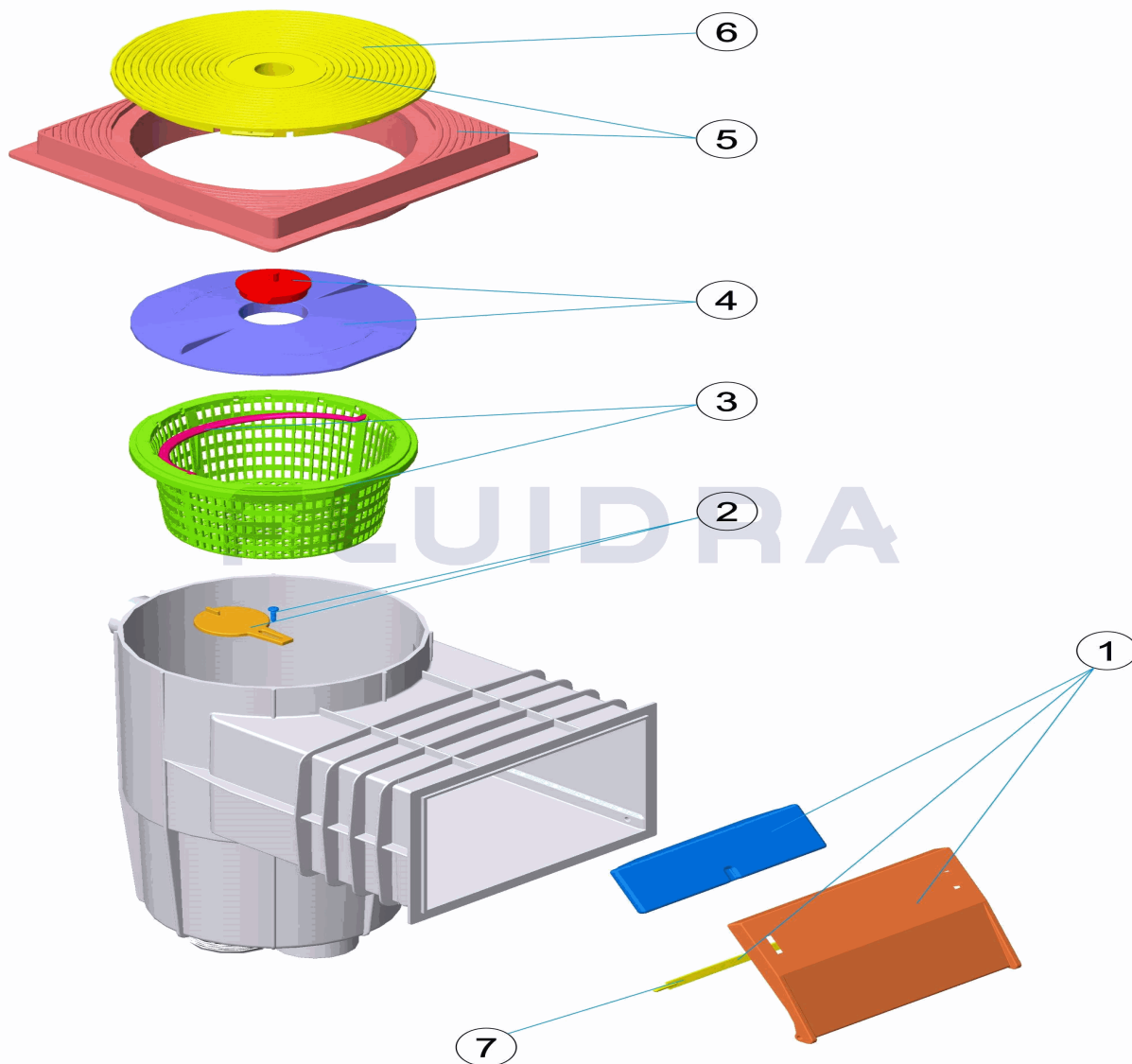


DEUTSCH

POS	CODE	BESCHREIBUNG	MENGE	POS	CODE	BESCHREIBUNG	MENGE
1	440201011	SKIMMERKLAPPE SCHARNIER		4	440201014	ABDECKUNG SKIMMKORB MIT STOPFEN	
1	440201019	SKIMMERKLAPPE VORVERSION		5	440201016	ABDECKUNG UND RING SKIMMER QUADR/	
2	440201012	ABDECKKAPPE		6	440201018	ABDECKUNG RUND SKIMMER	
3	440201013	SKIMMERKORB		7	4402010110	SCHARNIER Klappe	

CODIGO **00250**

DESCRIÇÃO: **SKIMMER 15 L PH B. STD. T. CIRC.**



PORTUGUES

POS	CODIGO	DESCRIÇÃO	JANTIDADE	POS	CODIGO	DESCRIÇÃO	JANTIDADE
1	440201011	COMPORTA SKIMMER BISAGRA	4	440201014	TAMPA CESTO SKIMMER		
1	440201019	COMPORTA SKIMMER ANTIGA	5	440201016	TAMPA E ARO QUADRADO SKIMMER		
2	440201012	CLAPETA SKIMMER	6	440201018	TAMPA CIRCULAR SKIMMER		
3	440201013	CESTO SKIMMER	7	4402010110	DOBRADIÇA COMPORTA		