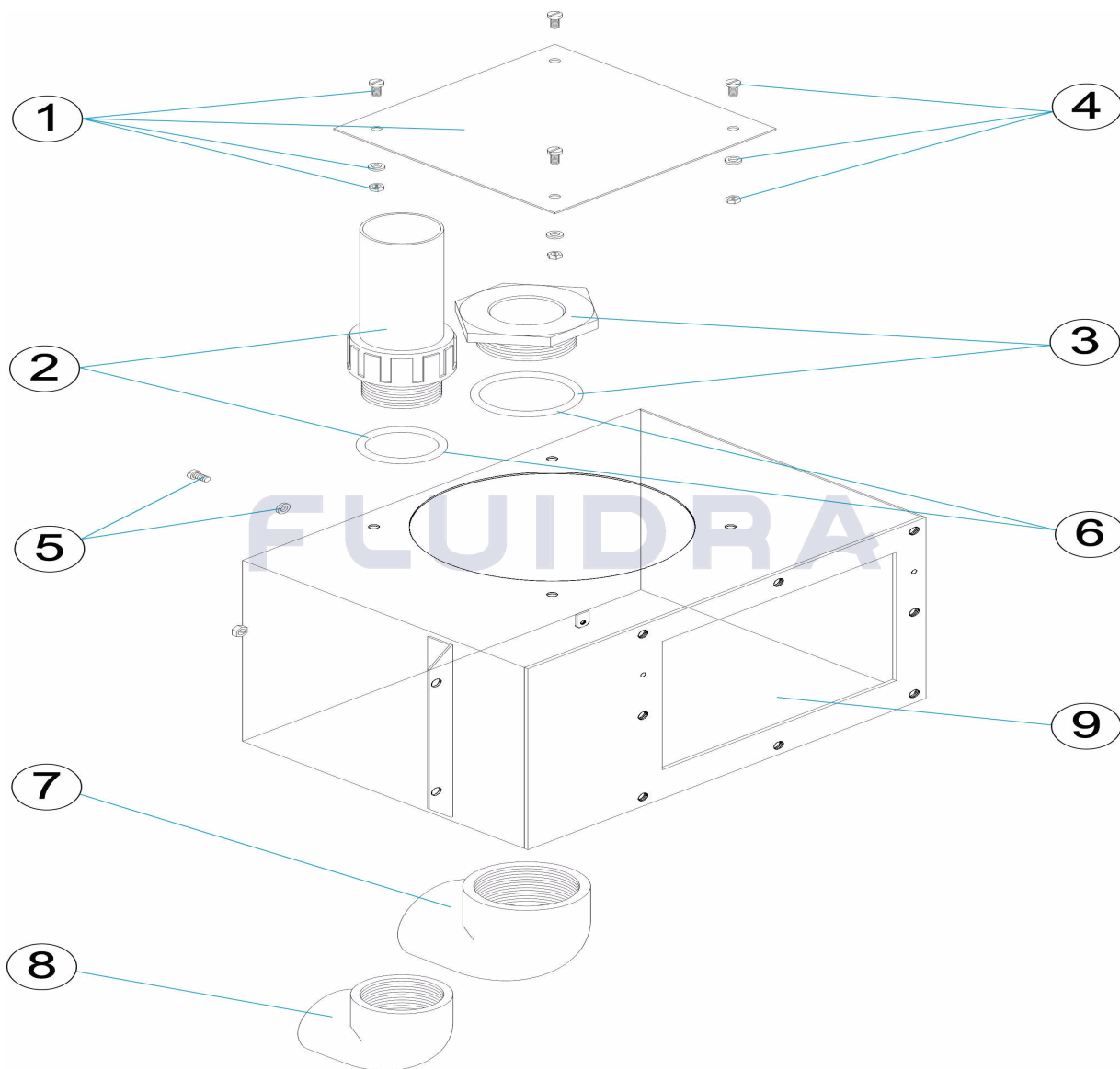


CODIGO **07520, 07523**

DESCRIPCION: **SKIMMER A-201**



**ESPAÑOL**

POS	CODIGO	DESCRIPCION	CANTIDAD	POS	CODIGO	DESCRIPCION	CANTIDAD
1	4402013201	TAPA SKIMMER INOX.		6	4402013205	CJTO. JUNTAS	
2	* 4402013202	REBOSADERO SKIMMER INOX. A-201		7	01733	CODO MIXTO D. 63-2"	
2	* 4402013206	REBOSADERO SKIMMER INOX A-400		8	01732	CODO MIXTO D. 50- 1 ½"	
3	4402013203	TERMINAL ROSCA EXTERIOR 2"		9	* 07520R0100	CUERPO SKIMMER A-201	
4	4402013204	TORNILLOS Y TUERCAS DIN-85 M5X8		9	* 07523R0100	CUERPO SKIMMER A-400	
5	4401090402	TOMA DE TIERRA					

**CODIGO 07520, 07523**

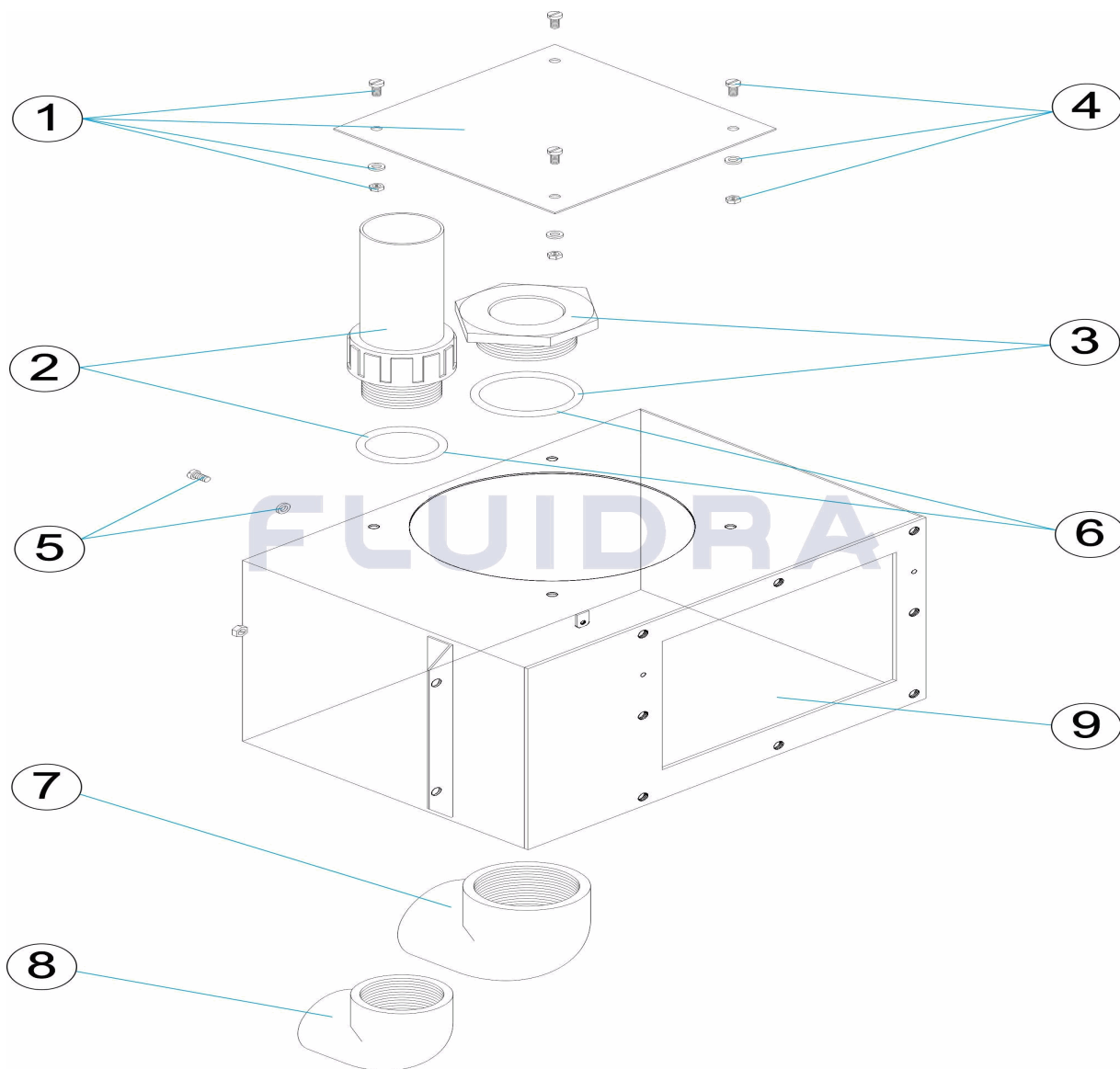
**DESCRIPCION: SKIMMER A-201**

**OBSERVACIONES**

POS	CODIGO	OBSERVACIONES
2	* 4402013202	PARA: 07520
2	* 4402013206	PARA: 07523
9	* 07520R0100	PARA: 07520
9	* 07523R0100	PARA: 07523

CODE 07520, 07523

DESCRIPTION: SKIMMER A-201



FRANCAIS

POS	CODE	DESCRIPTION	QUANTITE	POS	CODE	DESCRIPTION	QUANTITE
1	4402013201	COUVERCLE DE SKIMMER INOX		6	4402013205	ENSEMBLE JOINTS	
2	* 4402013202	TROP PLEIN SKIMMER INOX		7	01733	COUDE MIXTE D. 63 - 2"	
2	* 4402013206	TROP PLEIN SKIMMER INOX A-400		8	01732	COUDE MIXTE D. 50 - 1 1/2"	
3	4402013203	ECROU AVEC PAS DE VIS EXTERIEUR 2"		9	* 07520R0100	CORPS SKIMMER A-201	
4	4402013204	VIS ET RONDELLES		9	* 07523R0100	CORPS SKIMMER A-400	
5	4401090402	PRISE DE TERRE					

CODE **07520, 07523**

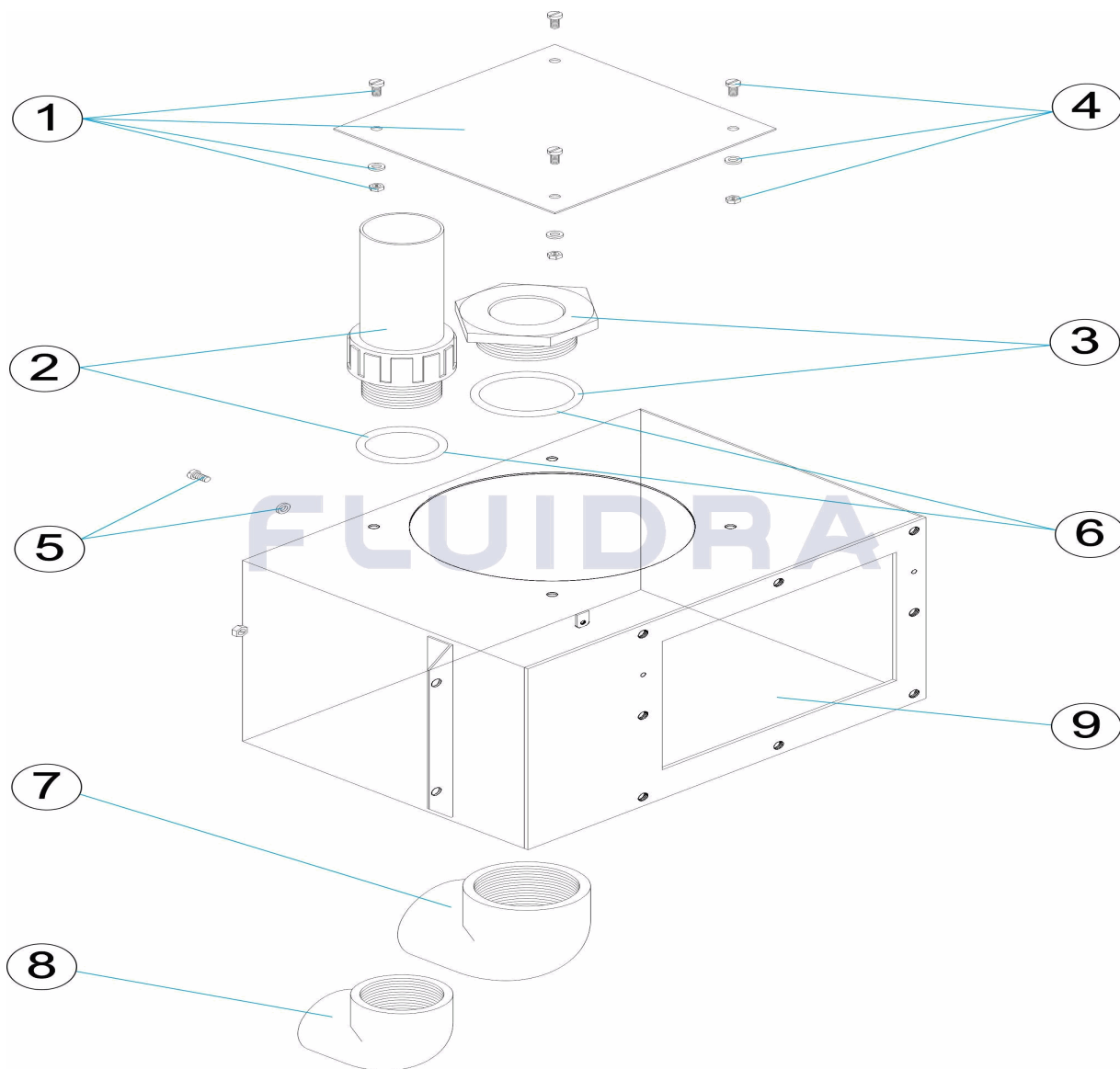
DESCRIPTION: **SKIMMER A-201**

**OBSERVATIONS**

POS	CODE	OBSERVATIONS
2	* 4402013202	POUR: 07520
2	* 4402013206	POUR: 07523
9	* 07520R0100	POUR: 07520
9	* 07523R0100	POUR: 07523

CODE 07520, 07523

DESCRIPTION: SKIMMER A-201



**ENGLISH**

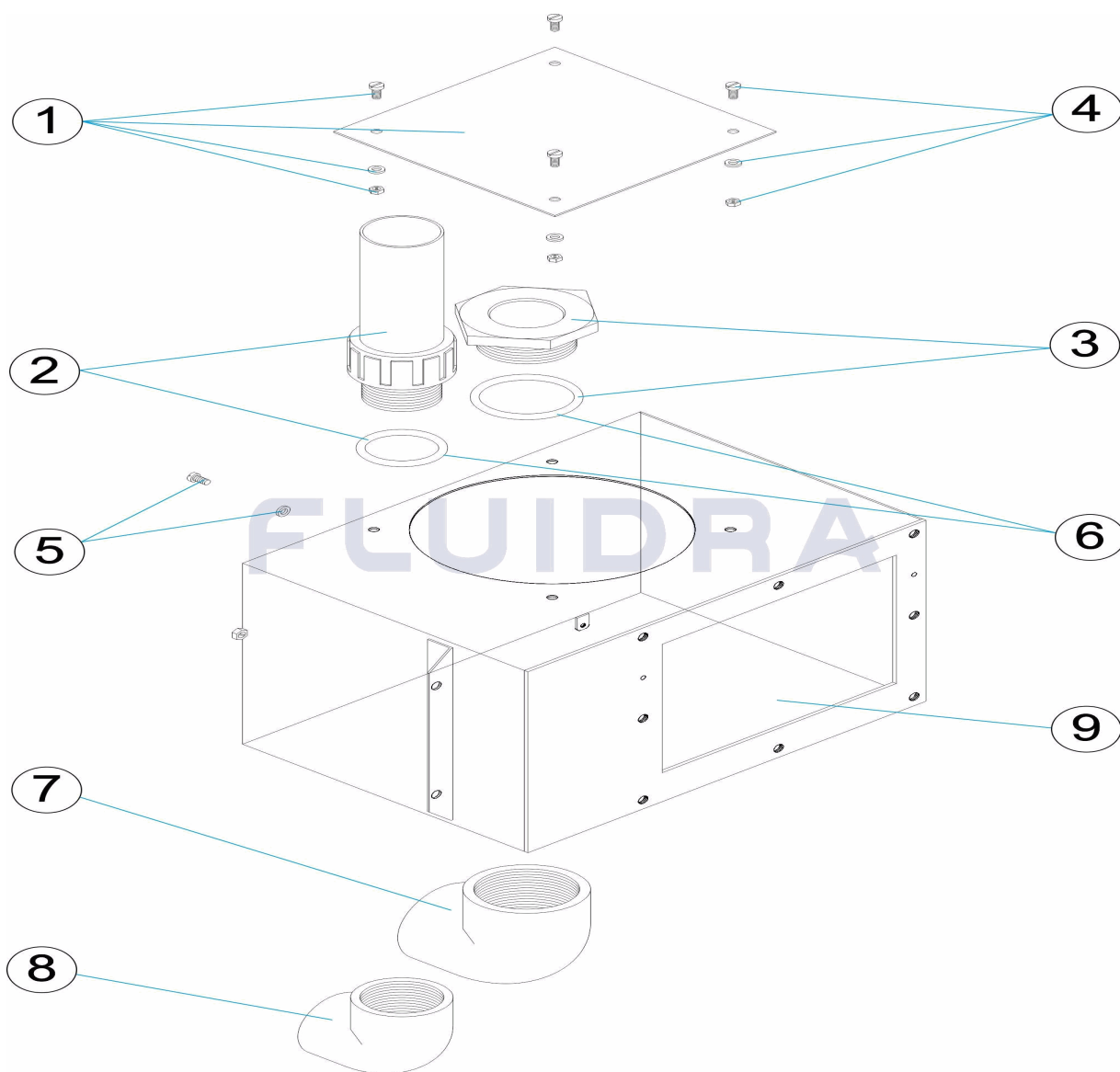
POS	CODE	DESCRIPTION	QUANTITY	POS	CODE	DESCRIPTION	QUANTITY
1	4402013201	SKIMMER COVER WITH SCREWS		6	4402013205	GASKET ASSEMBLY	
2	* 4402013202	S. S. SKIMMER OVERFLOW		7	01733	ELBOW D. 63 - 2"	
2	* 4402013206	S. S. SKIMMER OVERFLOW A-400		8	01732	ELBOW D. 50 - 1 1/2"	
3	4402013203	NIPPLE		9	* 07520R0100	SKIMMER BODY A-201	
4	4402013204	SCREWS AND NUTS DIN-85 M5X8		9	* 07523R0100	SKIMMER BODY A-400	
5	4401090402	EARTH CONNECTION					

CODE                    **07520, 07523**DESCRIPTION: **SKIMMER A-201****OBSERVATIONS**

POS	CODE	OBSERVATIONS
2	* 4402013202	FOR: 07520
2	* 4402013206	FOR: 07523
9	* 07520R0100	FOR: 07520
9	* 07523R0100	FOR: 07523

CODICE **07520, 07523**

DESCRIZIONE: **SKIMMER A-201**



**ITALIANO**

POS	CODICE	DESCRIZIONE	QUANTITA'	POS	CODICE	DESCRIZIONE	QUANTITA'
1	4402013201	COPERCHIO SKIMMER INOX		6	4402013205	GRUPPO GUARNIZIONI	
2	* 4402013202	TROPPO PIENO SKIMMER INOX		7	01733	GOMITO MISTO D.63-2"	
2	* 4402013206	TROPPO PIENO SKIMMER INOX A-400		8	01732	GOMITO MISTO D.50 1 1/2	
3	4402013203	TERMINALE FILETTO ESTERNO		9	* 07520R0100	CORPO SKIMMER A-201	
4	4402013204	VITI E GHIERA DIN-85 M5X8		9	* 07523R0100	CORPO SKIMMER A-400	
5	4401090402	PRESA A TERRA					

CODICE           **07520, 07523**

DESCRIZIONE: **SKIMMER A-201**

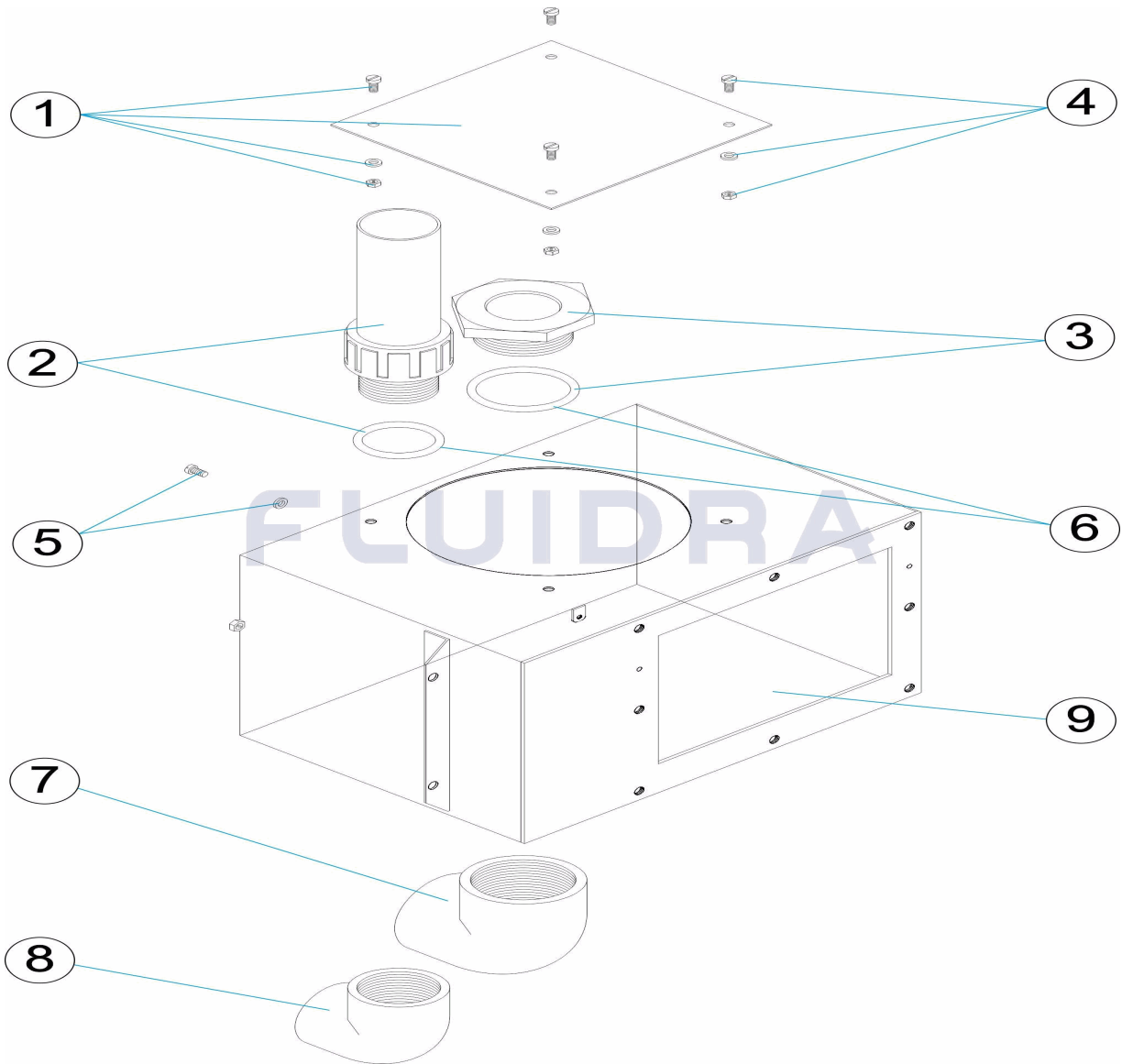
**OSSERVAZIONI**

POS	CODICE	OSSERVAZIONI
2	* 4402013202	PER: 07520
2	* 4402013206	PER: 07523
9	* 07520R0100	PER: 07520
9	* 07523R0100	PER: 07523



CODE **07520, 07523**

BESCHREIBUNG: **SKIMMER A-201**



**DEUTSCH**

POS	CODE	BESCHREIBUNG	MENGE	POS	CODE	BESCHREIBUNG	MENGE
1	4402013201	SKIMMERABDECKUNG EDELSTAHL		6	4402013205	DICHTUNGENSATZ	
2	* 4402013202	AUFSATZ SKIMMER EDELSTAHL A-201		7	01733	WINKEL KOMBI D. 63 - 2"	
2	* 4402013206	AUFSATZ SKIMMER EDELSTAHL A-400		8	01732	WINKEL KOMBI D. 50 - 1 1/2"	
3	4402013203	ANSCHLUSS GEWINDE AUSSEN 2"		9	* 07520R0100	GEHÄUSE SKIMMER A-201	
4	4402013204	SCHRAUBEN UND MUTTERN DIN-85 M5 X		9	* 07523R0100	GEHÄUSE SKIMMER A-400	
5	4401090402	ERDUNG					

CODE **07520, 07523**

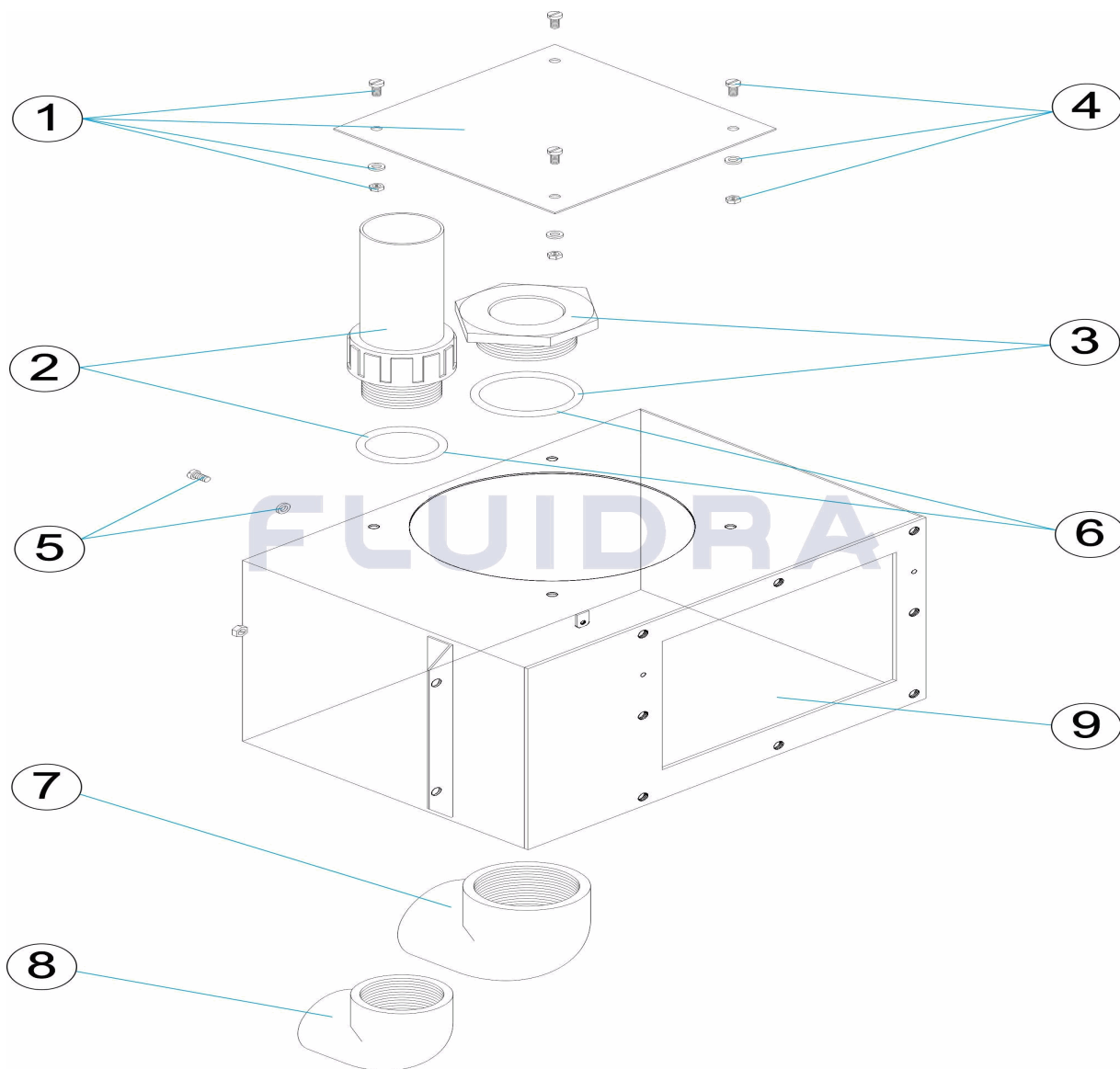
BESCHREIBUNG: **SKIMMER A-201**

**HINWEISE**

POS	CODE	HINWEISE
2	* 4402013202	FÜR: 07520
2	* 4402013206	FÜR: 07523
9	* 07520R0100	FÜR: 07520
9	* 07523R0100	FÜR: 07523

CODIGO **07520, 07523**

DESCRIÇÃO: **SKIMMER A-201**



**PORTUGUES**

POS	CODIGO	DESCRIÇÃO	JANTIDADE	POS	CODIGO	DESCRIÇÃO	JANTIDADE
1	4402013201	TAMPA SKIMMER INOX		6	4402013205	CONJUNTO JUNTAS	
2	* 4402013202	CALEIRA SKIMMER INOX		7	01733	JOELHO MISTO D. 63 - 2"	
2	* 4402013206	CALEIRA SKIMMER INOX A-400		8	01732	JOELHO MISTO D. 50 - 1 1/2"	
3	4402013203	TERMINAL ROSCA EXTERIOR 2"		9	* 07520R0100	CORPO SKIMMER A-201	
4	4402013204	PARAFUSOS E PORCAS DIN-85 M5X8		9	* 07523R0100	CORPO SKIMMER A-400	
5	4401090402	LIGAÇÃO A TERRA					

**CODIGO 07520, 07523**

**DESCRIÇÃO: SKIMMER A-201**

**OBSERVAÇÕES**

POS	CODIGO	OBSERVAÇÕES
2	* 4402013202	PARA: 07520
2	* 4402013206	PARA: 07523
9	* 07520R0100	PARA: 07520
9	* 07523R0100	PARA: 07523