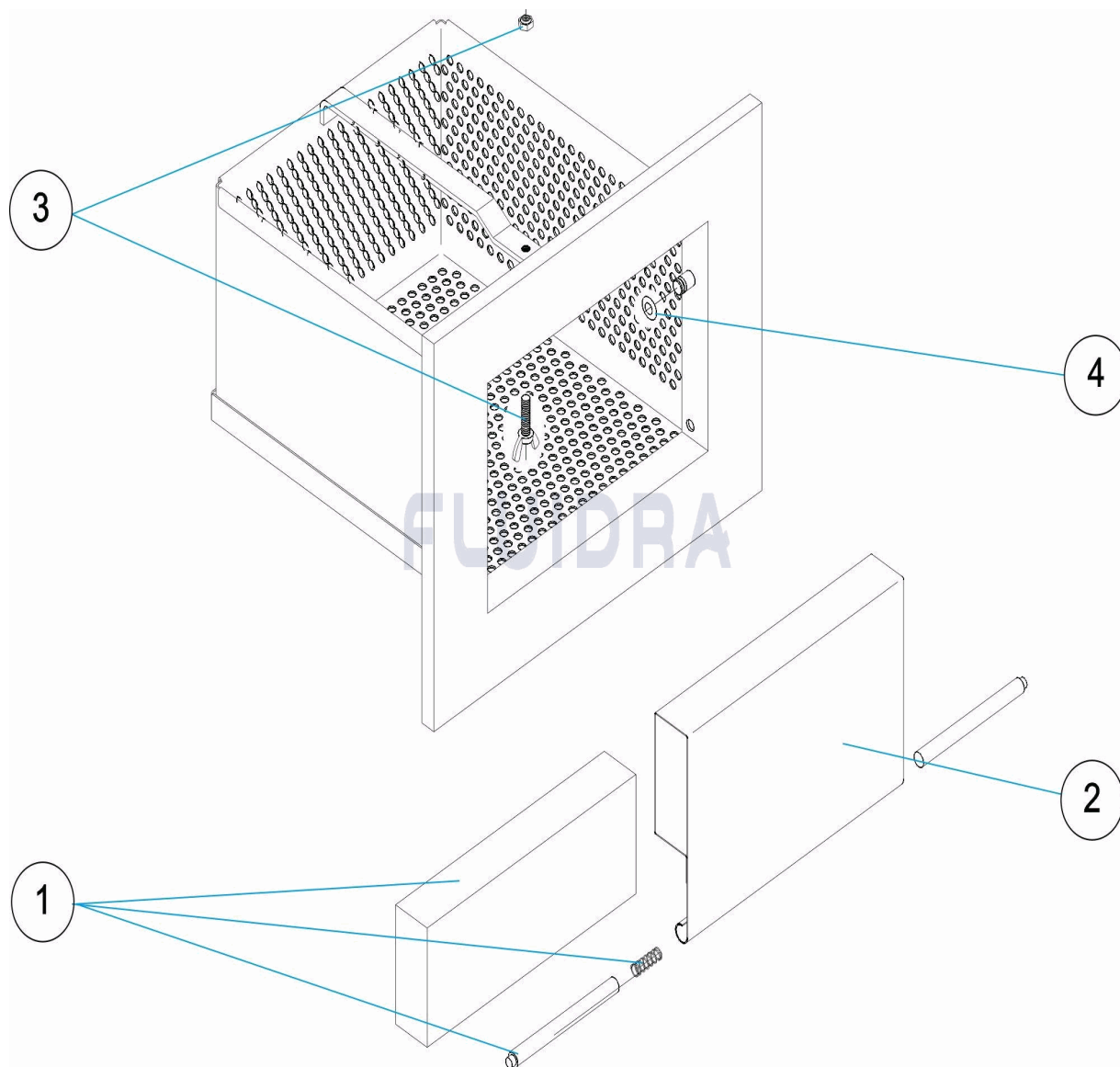


CODIGO **07521, 07522**

DESCRIPCION: **CESTO SKIMMER A-201 / 202 / 203**



ESPAÑOL

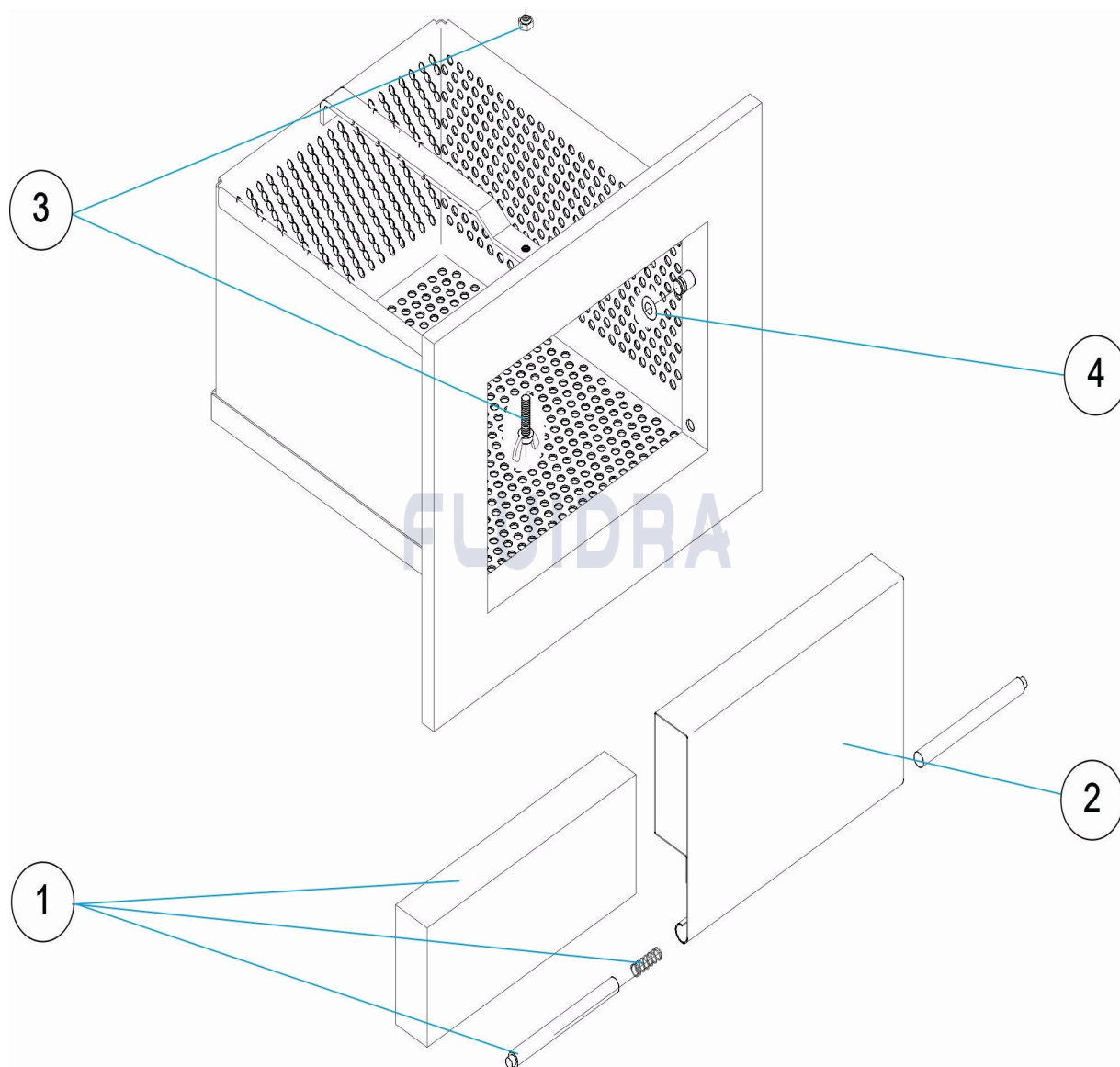
POS	CODIGO	DESCRIPCION	CANTIDAD	POS	CODIGO	DESCRIPCION	CANTIDAD
1	4402013301	RESORTE, FLOTADOR Y EJE		2	* 4402013306	COMPUERTA SKIMMER A-400	
1	4402013305	RESORTE, FLOTADOR Y EJE A-400		3	4402013303	PALOMILLA Y TUERCA	
2	* 4402013302	COMPUERTA SKIMMER		4	4402013304	JUNTA TORICA	

CODIGO **07521, 07522**DESCRIPCION: **CESTO SKIMMER A-201 / 202 / 203****OBSERVACIONES**

POS	CODIGO	OBSERVACIONES
2	* 4402013302	PARA: 07521
2	* 4402013306	PARA: 07522

CODE 07521, 07522

DESCRIPTION: PANIER SKIMMER A-201 / 202 / 203



FRANCAIS

POS	CODE	DESCRIPTION	QUANTITE	POS	CODE	DESCRIPTION	QUANTITE
1	4402013301	RESSORT, FLOTTEUR ET AXE		2	* 4402013306	COLET DE SKIMMER A-400	
1	4402013305	RESSORT, FLOTTEUR ET AXE A-400		3	4402013303	VIS PAPILLON ET JOINT	
2	* 4402013302	COLET DE SKIMMER		4	4402013304	JOINT TORIQUE	

CODE **07521, 07522**

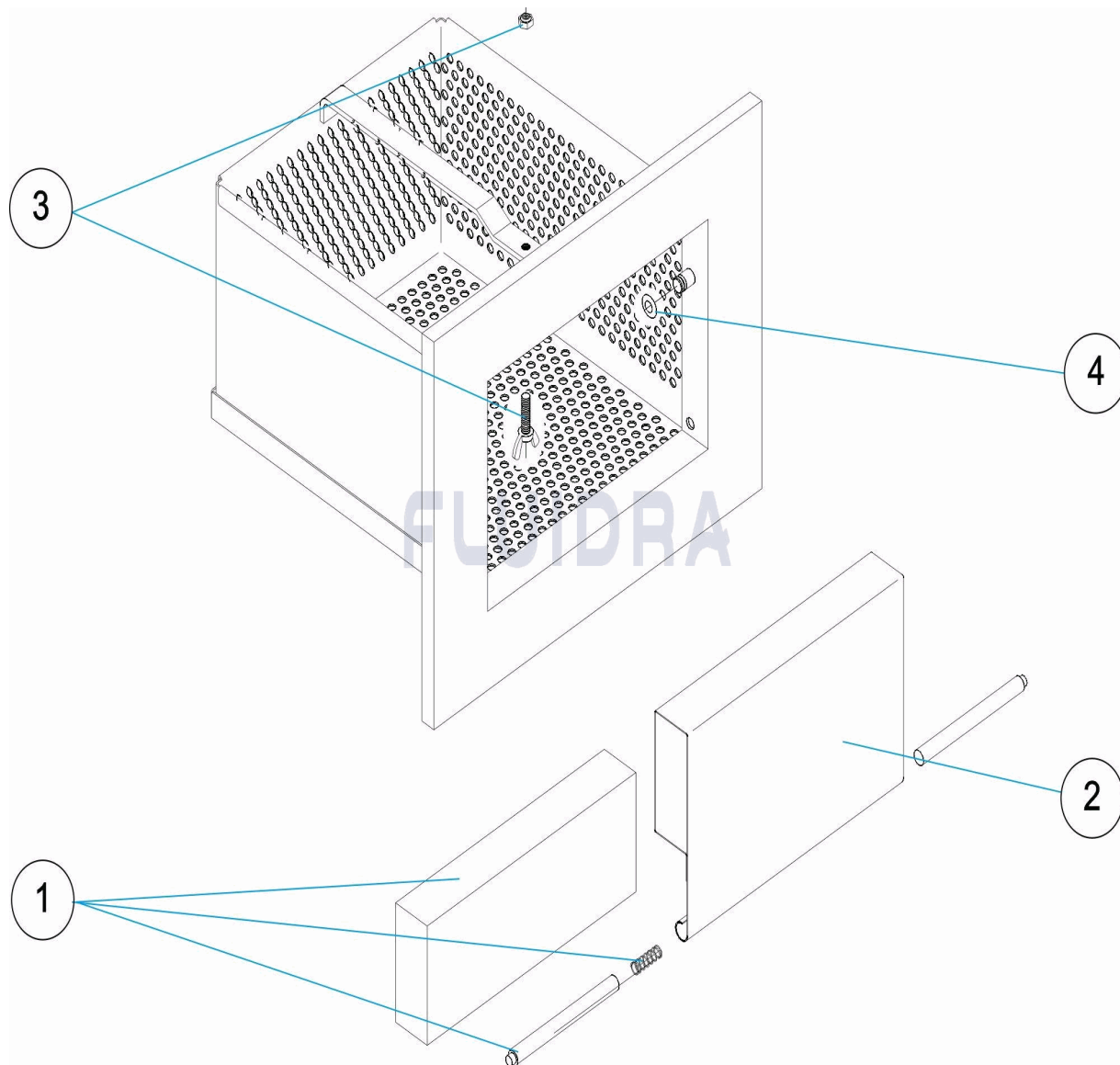
DESCRIPTION: **PANIER SKIMMER A-201 / 202 / 203**

OBSERVATIONS

POS	CODE	OBSERVATIONS
2	* 4402013302	POUR: 07521
2	* 4402013306	POUR: 07522

CODE **07521, 07522**

DESCRIPTION: **SKIMMER BASKET A-201 / 202 / 203**



ENGLISH

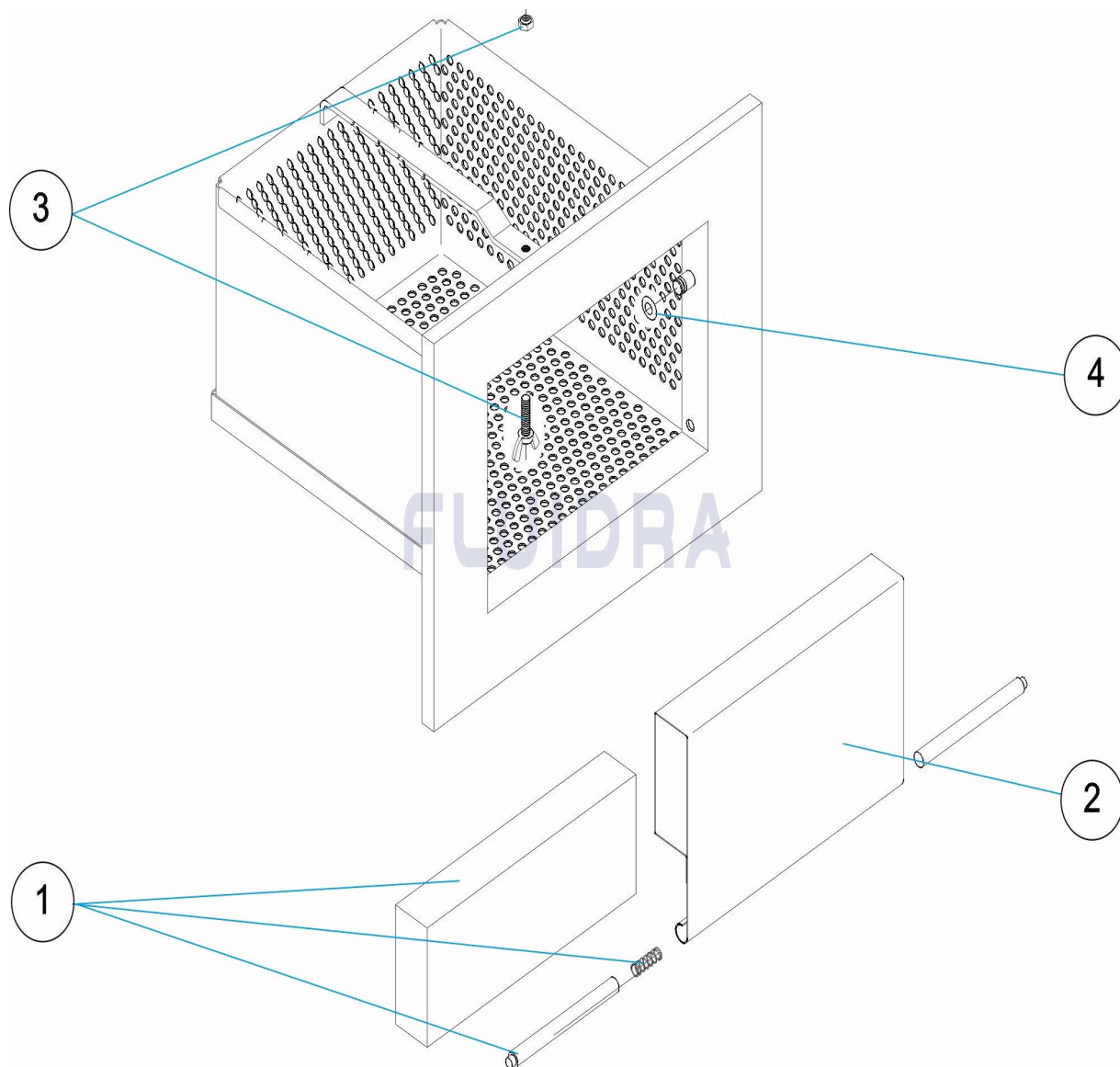
POS	CODE	DESCRIPTION	QUANTITY	POS	CODE	DESCRIPTION	QUANTITY
1	4402013301	SPRING, FLOAT AND SHAFT		2	* 4402013306	SKIMMER FLAP A-400	
1	4402013305	SPRING, FLOAT AND SHAFT A-400		3	4402013303	HANDLE BUTTERFLY AND NUT	
2	* 4402013302	SKIMMER FLAP		4	4402013304	O' RING	

CODE **07521, 07522**DESCRIPTION: **SKIMMER BASKET A-201 / 202 / 203****OBSERVATIONS**

POS	CODE	OBSERVATIONS
2	* 4402013302	FOR: 07521
2	* 4402013306	FOR: 07522

CODICE **07521, 07522**

DESCRIZIONE: **CESTO SKIMMER A-201 / 202 / 203**



ITALIANO

POS	CODICE	DESCRIZIONE	QUANTITA'	POS	CODICE	DESCRIZIONE	QUANTITA'
1	4402013301	MOLLA, GALLEGGIANTE, ASSE		2	* 4402013306	BATTENTE SKIMMER A-400	
1	4402013305	MOLLA, GALLEGGIANTE, ASSE A-400		3	4402013303	FARFALLA E GHIERA	
2	* 4402013302	BATTENTE SKIMMER		4	4402013304	O-RING	

CODICE 07521, 07522

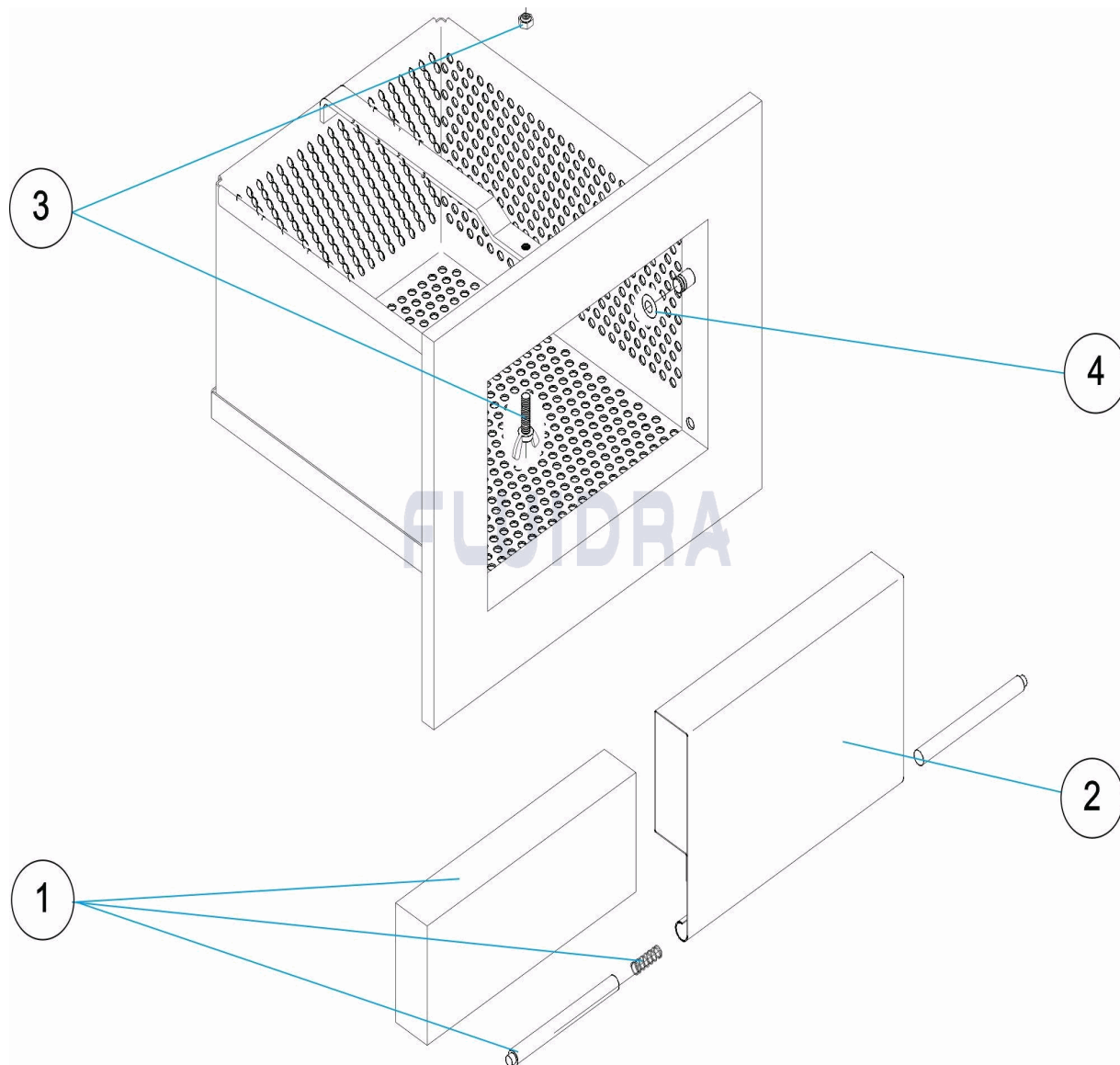
DESCRIZIONE: CESTO SKIMMER A-201 / 202 / 203

OSSERVAZIONI

POS	CODICE	OSSERVAZIONI
2	* 4402013302	PER: 07521
2	* 4402013306	PER: 07522

CODE **07521, 07522**

BESCHREIBUNG: **SKIMMERKORB A-201 / 202 / 203**



DEUTSCH

POS	CODE	BESCHREIBUNG	MENGE	POS	CODE	BESCHREIBUNG	MENGE
1	4402013301	FEDER, SCHWIMMER UND ACHSE		2	* 4402013306	SKIMMERKLAPPE A - 400	
1	4402013305	FEDER, SCHWIMMER UND ACHSE A-400		3	4402013303	FLÜGELMUTTER UND MUTTER	
2	* 4402013302	SKIMMERKLAPPE		4	4402013304	O-RING	

CODE **07521, 07522**

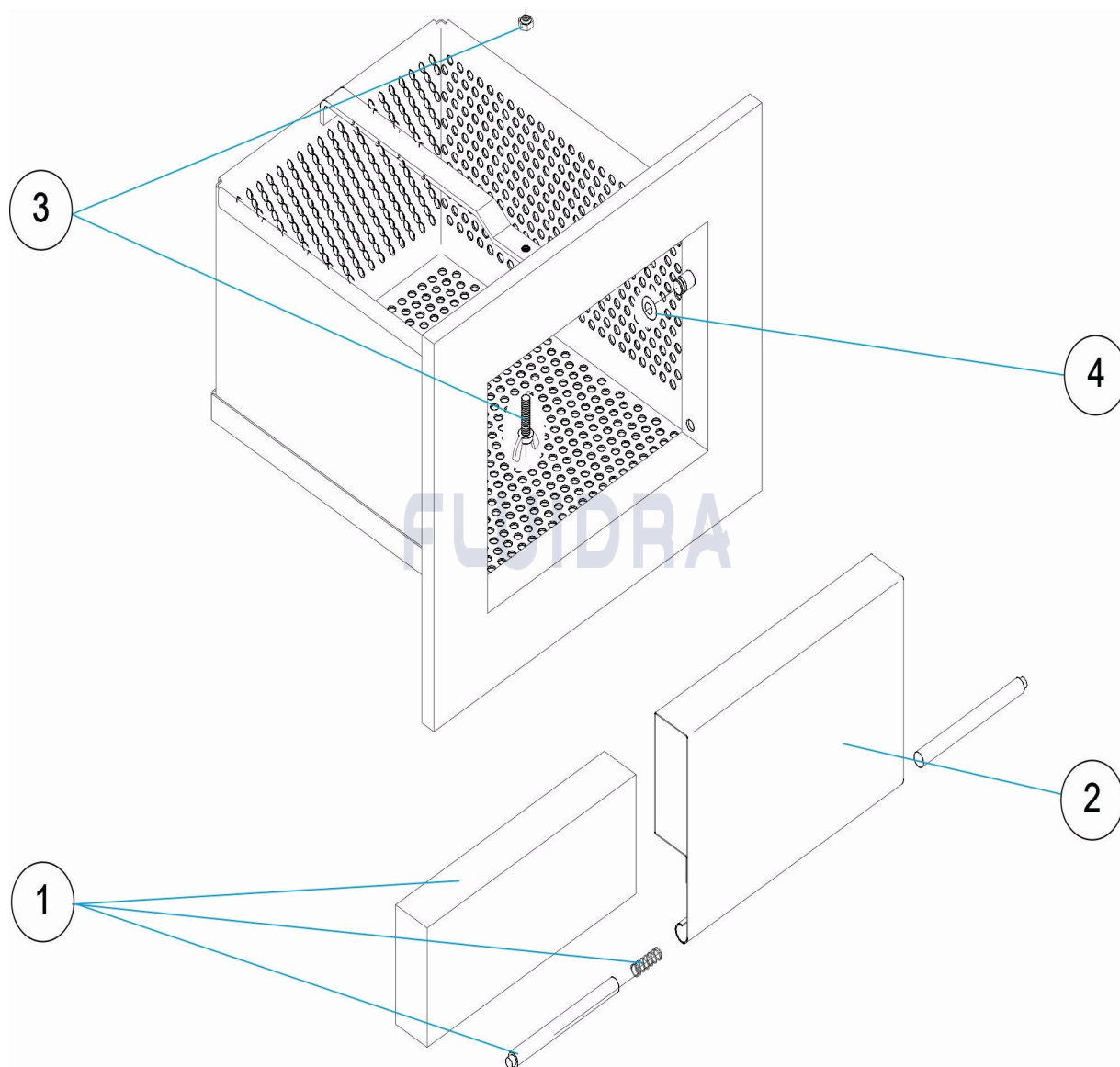
BESCHREIBUNG: **SKIMMERKORB A-201 / 202 / 203**

HINWEISE

POS	CODE	HINWEISE
2	* 4402013302	FÜR: 07521
2	* 4402013306	FÜR: 07522

CODIGO **07521, 07522**

DESCRIÇÃO: **CESTO SKIMMER A-201 / 202 / 203**



PORTUGUES

POS	CODIGO	DESCRIÇÃO	JANTIDADE	POS	CODIGO	DESCRIÇÃO	JANTIDADE
1	4402013301	MOLA, FLUTUADOR E EIXO		2	* 4402013306	BATTENTE SKIMMER A-400	
1	4402013305	MOLA, FLUTUADOR E EIXO A-400		3	4402013303	PORCA DE ORELHAS E PORCA	
2	* 4402013302	BATTENTE SKIMMER		4	4402013304	JUNTA TÓRICA	

CODIGO 07521, 07522

DESCRIÇÃO: CESTO SKIMMER A-201 / 202 / 203

OBSERVAÇÕES

POS	CODIGO	OBSERVAÇÕES
2	* 4402013302	PARA: 07521
2	* 4402013306	PARA: 07522