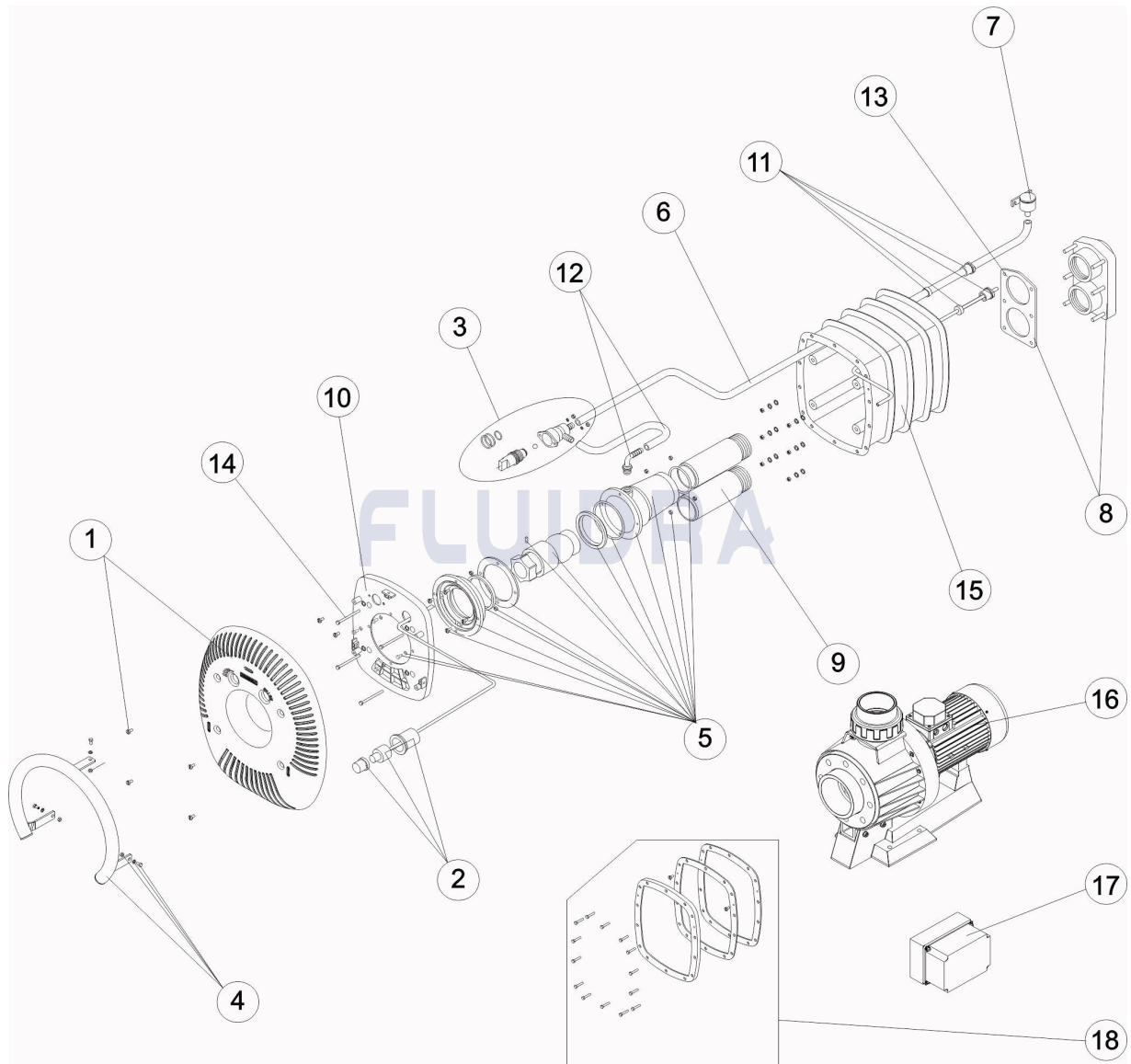


CODIGO **35375, 35376, 35377, 37214**

DESCRIPCION: **EQUIPO NATACION CONTRACORRIENTE**



**ESPAÑOL**

| POS | CODIGO     | DESCRIPCION                 | CANTIDAD | POS | CODIGO     | DESCRIPCION                           | CANTIDAD |
|-----|------------|-----------------------------|----------|-----|------------|---------------------------------------|----------|
| 1   | 4402050601 | CARATULA ECC. ECO.          |          | 12  | 4402050121 | CONDUCTO ASPIRACION VENTURI L-300 M   |          |
| 2   | 4402050119 | PULSADOR COMPLETO           |          | 13  | 4402050108 | JUNTA TAPA E.C.C.                     |          |
| 3   | 4402050603 | VALVULA REGULACION          |          | 14  | 4402050134 | TORNILLERIA PLACA FIJACION PLASTICO   |          |
| 4   | 4402050604 | AGARRADERA                  |          | 15  | 11502R0100 | CAJA ALOJAMIENTO PLASTICO             |          |
| 5   | 4402050605 | BOQUILLA COMPLETA           |          | 16  | * 28568    | BOMBA CONTRAC. IMPUL. VERTICAL 2-2,5- |          |
| 6   | 4401070015 | CONDUCTO ASPIRACION 1,5 M.  |          | 16  | * 30774    | BOMBA CONTRAC. IMPUL. VERTICAL 2-2,5- |          |
| 7   | 4402050109 | VALVULA ASPIRACION AIRE     |          | 16  | * 11509    | BOMBA CONTRAC. IMPUL. VERTICAL 2-2,5- |          |
| 8   | 4402050107 | BRIDA CONEXIÓN CON JUNTA    |          | 17  | * 25456    | ARMARIO MANIOBRA PARA CONTRACORR      |          |
| 9   | 4402050118 | TUBO ASPIRACION / IMPULSION |          | 17  | * 32151    | ARMARIO MANIOBRA PARA CONTRACORR      |          |
| 10  | 4402050126 | PLACA FIJACION PLASTICO     |          | 17  | * 11510    | ARMARIO MANIOBRA PARA CONTRACORR      |          |
| 11  | 4402050110 | PRENSAESTOPAS E.C.C.        |          | 18  | 11503      | CAJA ALOJAMIENTO ECC PLÁSTICO         |          |

**CODIGO 35375, 35376, 35377, 37214**

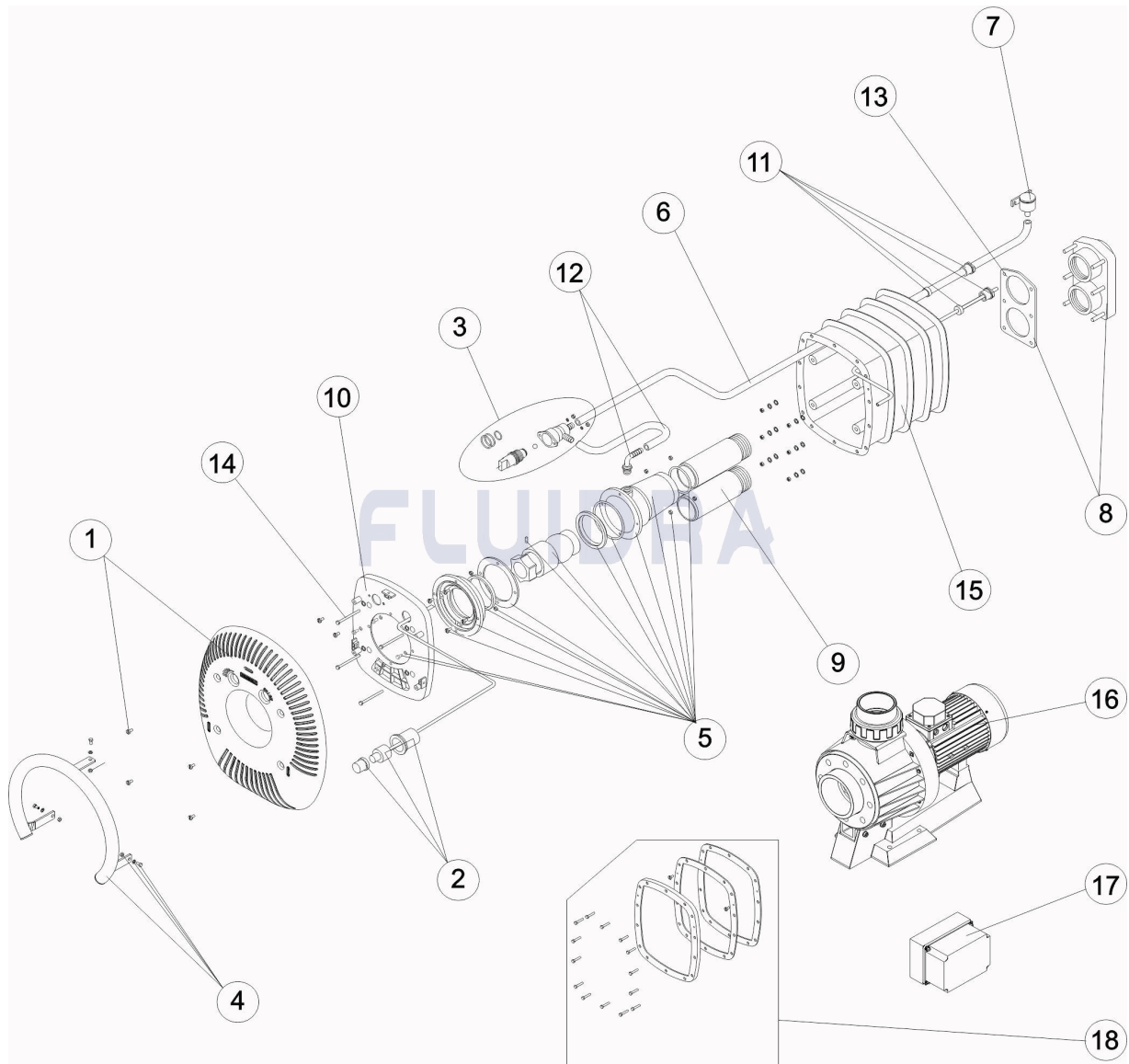
**DESCRIPCION: EQUIPO NATACION CONTRACORRIENTE**

### OBSERVACIONES

| POS | CODIGO  | OBSERVACIONES |
|-----|---------|---------------|
| 16  | * 28568 | PARA: 35375   |
| 16  | * 30774 | PARA: 35376   |
| 16  | * 11509 | PARA: 35377   |
| 17  | * 25456 | PARA: 35375   |
| 17  | * 32151 | PARA: 35376   |
| 17  | * 11510 | PARA: 35377   |

CODE 35375, 35376, 35377, 37214

DESCRIPTION: ÉQUIPEMENT NAGE CONTRE-COURANT



FRANCAIS

| POS | CODE       | DESCRIPTION                       | QUANTITE | POS | CODE       | DESCRIPTION                           | QUANTITE |
|-----|------------|-----------------------------------|----------|-----|------------|---------------------------------------|----------|
| 1   | 4402050601 | COUVERCLE ECC. ECO.               |          | 12  | 4402050121 | TUYAU D'ASPIRATION ET VENTURI L-300 M |          |
| 2   | 4402050119 | BOUTON POUSSOIR                   |          | 13  | 4402050108 | JOINT DE CONNEXION                    |          |
| 3   | 4402050603 | BOUTON DE REGLAGE D'AIR           |          | 14  | 4402050134 | VIS DE FIXATION                       |          |
| 4   | 4402050604 | MAIN COURANTE                     |          | 15  | 11502R0100 | BLOC D'ENCASTREMENT                   |          |
| 5   | 4402050605 | ENSEMBLE REFOUEMENT               |          | 16  | * 28568    | POMPE CONTRAC. IMPUL. VERTICALE 2-2,  |          |
| 6   | 4401070015 | CONDUIT ASPIRATION 1,5 M.         |          | 16  | * 30774    | POMPE CONTRAC. IMPUL. VERTICALE 2-2,  |          |
| 7   | 4402050109 | VALVE ASPIRATION D'AIR            |          | 16  | * 11509    | POMPE CONTRAC. IMPUL. VERTICALE 2-2,  |          |
| 8   | 4402050107 | BRIDE DE CONNEXION AVEC JOINT     |          | 17  | * 25456    | BOÎTIER DE COMMANDE POUR CONTRE-C     |          |
| 9   | 4402050118 | MANCHETTE ASPIRATION / REFOUEMENT |          | 17  | * 32151    | BOÎTIER DE COMMANDE POUR CONTRE-C     |          |
| 10  | 4402050126 | PLAQUE DE FIXATION ABS            |          | 17  | * 11510    | BOÎTIER DE COMMANDE POUR CONTRE-C     |          |
| 11  | 4402050110 | PRESSE ETOUPE                     |          | 18  | 11503      | BLOC D'ENCASTREMENT ECC PLASTIQUE     |          |

CODE **35375, 35376, 35377, 37214**

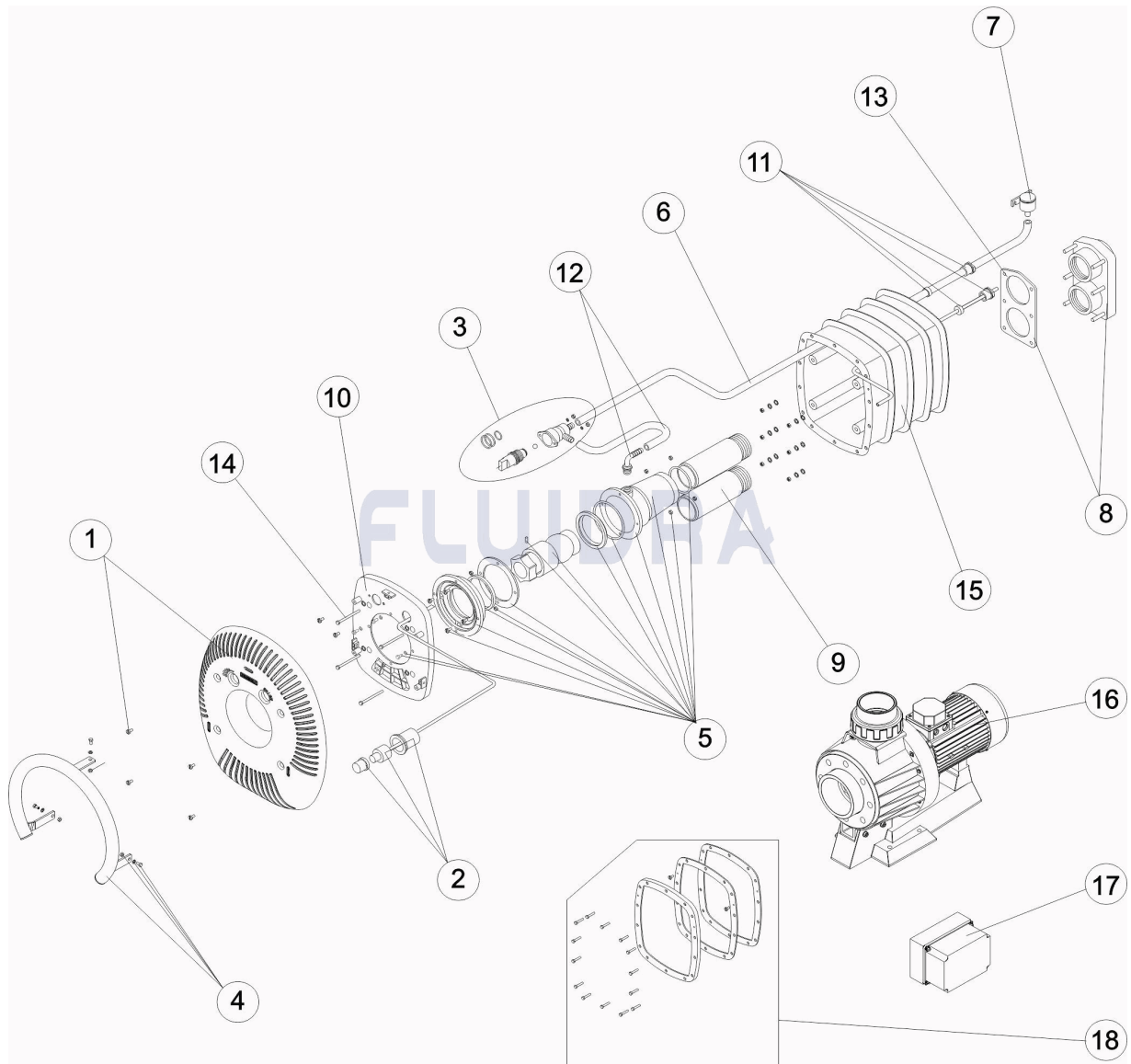
DESCRIPTION: **ÉQUIPEMENT NAGE CONTRE-COURANT**

**OBSERVATIONS**

| POS | CODE    | OBSERVATIONS |
|-----|---------|--------------|
| 16  | * 28568 | POUR: 35375  |
| 16  | * 30774 | POUR: 35376  |
| 16  | * 11509 | POUR: 35377  |
| 17  | * 25456 | POUR: 35375  |
| 17  | * 32151 | POUR: 35376  |
| 17  | * 11510 | POUR: 35377  |

CODE 35375, 35376, 35377, 37214

DESCRIPTION: COUNTER-CURRENT SWIMMING EQUIPMENT



**ENGLISH**

| POS | CODE       | DESCRIPTION                   | QUANTITY | POS | CODE       | DESCRIPTION                            | QUANTITY |
|-----|------------|-------------------------------|----------|-----|------------|--|----------|
| 1   | 4402050601 | COVER ECC. ECO                |          | 12  | 4402050121 | VENTURI SUCTION CONDUIT L-300 M/M.     |          |
| 2   | 4402050119 | COMPLETE SWITCH               |          | 13  | 4402050108 | CCU GASKET COVER                       |          |
| 3   | 4402050603 | CUU REGULATOR VALVE           |          | 14  | 4402050134 | PLASTIC FIXING PLATE SCREWS            |          |
| 4   | 4402050604 | GRABRAIL                      |          | 15  | 11502R0100 | HOUSING CASC                           |          |
| 5   | 4402050605 | CUU COMPLETE INLET            |          | 16  | * 28568    | PUMP CONTRAC. IMPUL. VERTICAL 2-2, 5-3 |          |
| 6   | 4401070015 | SUCTION GUIDE 1,5 M.          |          | 16  | * 30774    | PUMP CONTRAC. IMPUL. VERTICAL 2-2, 5-3 |          |
| 7   | 4402050109 | AIR SUCTION VALVE             |          | 16  | * 11509    | PUMP CONTRAC. IMPUL. VERTICAL 2-2, 5-3 |          |
| 8   | 4402050107 | FLANGE CONNECTION WITH GASKET |          | 17  | * 25456    | CONTROL PANEL FOR COUNTERCURRENT       |          |
| 9   | 4402050118 | SUCTION / RETURN TUBE         |          | 17  | * 32151    | CONTROL PANEL FOR COUNTERCURRENT       |          |
| 10  | 4402050126 | PLASTIC FIXING PLATE          |          | 17  | * 11510    | CONTROL PANEL FOR COUNTERCURRENT       |          |
| 11  | 4402050110 | CCU CABLE GLAND               |          | 18  | 11503      | PLASTIC HOUSING CASC                   |          |

CODE                    **35375, 35376, 35377, 37214**

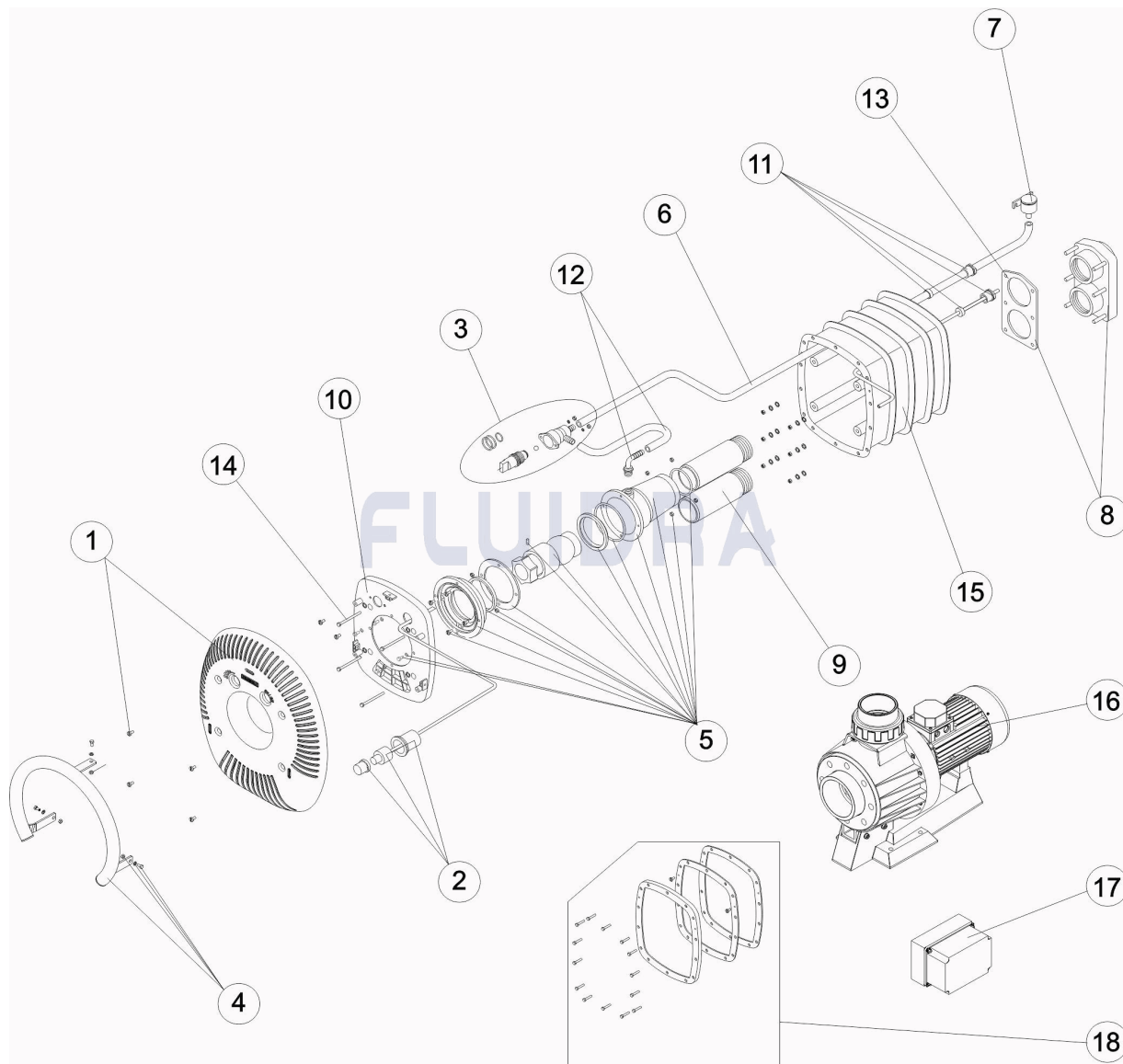
DESCRIPTION: **COUNTER-CURRENT SWIMMING EQUIPMENT**

**OBSERVATIONS**

| POS | CODE    | OBSERVATIONS |
|-----|---------|--------------|
| 16  | * 28568 | FOR: 35375   |
| 16  | * 30774 | FOR: 35376   |
| 16  | * 11509 | FOR: 35377   |
| 17  | * 25456 | FOR: 35375   |
| 17  | * 32151 | FOR: 35376   |
| 17  | * 11510 | FOR: 35377   |

CODICE **35375, 35376, 35377, 37214**

DESCRIZIONE: **ATTREZZATURA NUOTO CONTROCORRENTE**



**ITALIANO**

| POS | CODICE     | DESCRIZIONE                       | QUANTITA' | POS | CODICE     | DESCRIZIONE                           | QUANTITA' |
|-----|------------|-----------------------------------|-----------|-----|------------|---------------------------------------|-----------|
| 1   | 4402050601 | COPERCHIO ECC. ECO.               |           | 12  | 4402050121 | CONDOTTO DI ASPIRAZIONE VENTURI L-3(  |           |
| 2   | 4402050119 | PULSANTE COMPLETO                 |           | 13  | 4402050108 | GUANIZIONE PER COPERCHIO N.C.C.       |           |
| 3   | 4402050603 | VALVOLA DI REGOLAZIONE N.C.C.     |           | 14  | 4402050134 | BULLONERIA PER PIASTRA DI FISSAGGIO I |           |
| 4   | 4402050604 | CORRIMANO                         |           | 15  | 11502R0100 | CUSTODIA ALLOGGIAMENTO                |           |
| 5   | 4402050605 | BOCCHETTA COMPLETA N.C.C.         |           | 16  | * 28568    | POMPA CONTRAC. IMPUL. VERTICALE 2-2,! |           |
| 6   | 4401070015 | CONDOTTO ASPIRAZIONE 1,5 M.       |           | 16  | * 30774    | POMPA CONTRAC. IMPUL. VERTICALE 2-2,! |           |
| 7   | 4402050109 | VALVOLA DI ASPIRAZIONE ARIA       |           | 16  | * 11509    | POMPA CONTRAC. IMPUL. VERTICALE 2-2,! |           |
| 8   | 4402050107 | FLANGIA FISSAGGIO CON GUARNIZIONE |           | 17  | * 25456    | CASSETTA DI MANOVRA PER CONTROCOF     |           |
| 9   | 4402050118 | TUBO DI ASPIRAZIONE / MANDATA     |           | 17  | * 32151    | CASSETTA DI MANOVRA PER CONTROCOF     |           |
| 10  | 4402050126 | PIASTRA DI FISSAGGIO IN PLASTICA  |           | 17  | * 11510    | CASSETTA DI MANOVRA PER CONTROCOF     |           |
| 11  | 4402050110 | PRESSACAPO N.C.C.                 |           | 18  | 11503      | CUSTODIA ALLOGGIAMENTO PLASTICA       |           |

**CODICE 35375, 35376, 35377, 37214**

**DESCRIZIONE: ATTREZZATURA NUOTO CONTROCORRENTE**

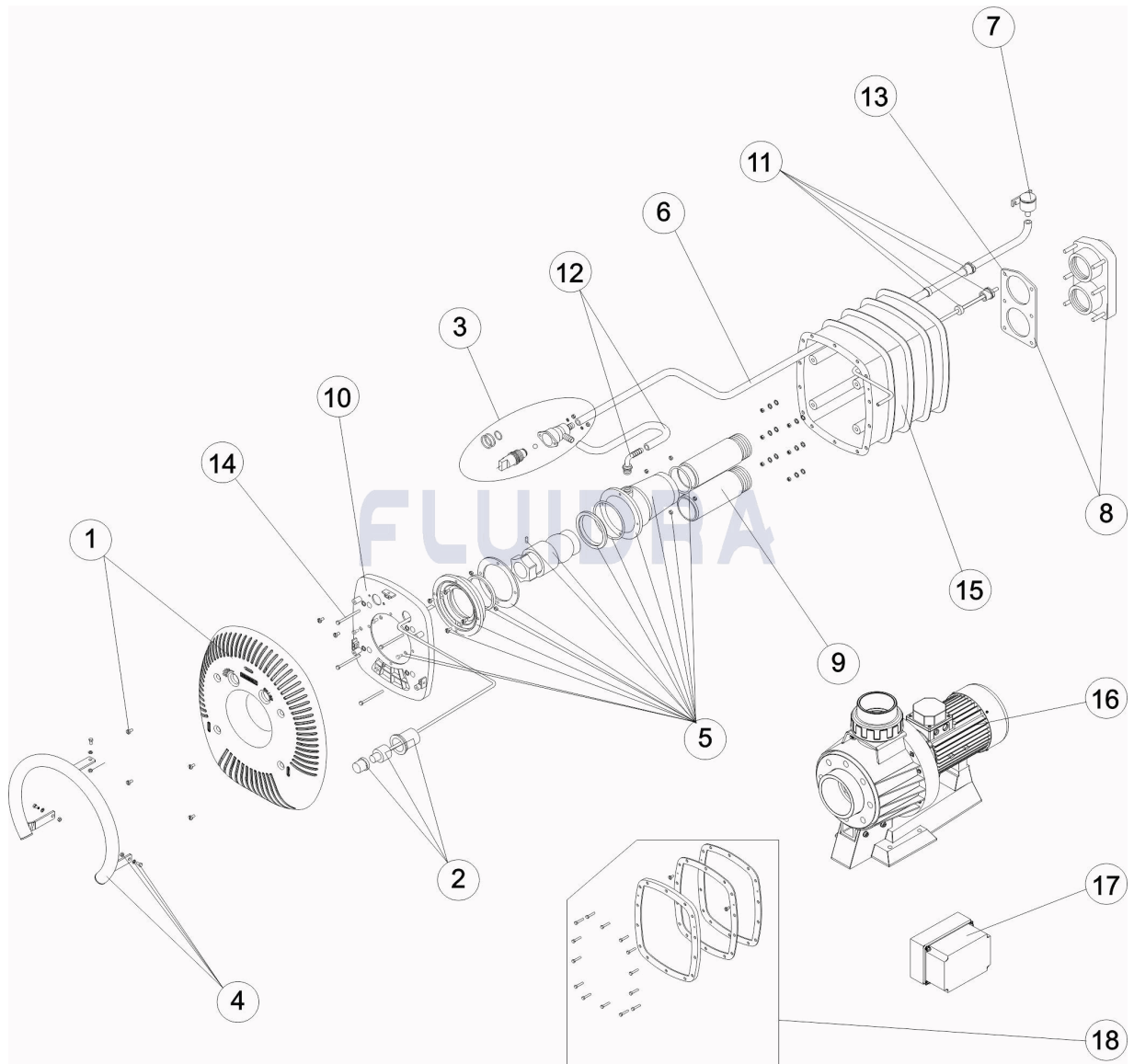
**OSSERVAZIONI**

| POS | CODICE  | OSSERVAZIONI |
|-----|---------|--------------|
| 16  | * 28568 | PER: 35375   |
| 16  | * 30774 | PER: 35376   |
| 16  | * 11509 | PER: 35377   |
| 17  | * 25456 | PER: 35375   |
| 17  | * 32151 | PER: 35376   |
| 17  | * 11510 | PER: 35377   |



CODE 35375, 35376, 35377, 37214

BESCHREIBUNG: GEGENSCHWIMMGERÄT



**DEUTSCH**

| POS | CODE       | BESCHREIBUNG                   | MENGE | POS | CODE       | BESCHREIBUNG                      | MENGE |
|-----|------------|--------------------------------|-------|-----|------------|-----------------------------------|-------|
| 1   | 4402050601 | BEDIENFELD ECC. ECO.           |       | 12  | 4402050121 | SAUGLEITUNG VENTURI L - 300 MM    |       |
| 2   | 4402050119 | DRUCKTASTER KOMPLETT           |       | 13  | 4402050108 | DICHTUNG ABDECKUNG E.C.C.         |       |
| 3   | 4402050603 | REGELVENTIL                    |       | 14  | 4402050134 | SCHRAUBENSATZ BEFESTIGUNGSPLATINE |       |
| 4   | 4402050604 | HALTEGRIFF                     |       | 15  | 11502R0100 | LAGERGEHÄUSE KUNSTSTOFF           |       |
| 5   | 4402050605 | DÜSE KOMPLETT                  |       | 16  | * 28568    | GEGENSTROMPUMPE ANTRIEB VERTIKAL  |       |
| 6   | 4401070015 | SAUGLEITUNG 1,5 M              |       | 16  | * 30774    | GEGENSTROMPUMPE ANTRIEB VERTIKAL  |       |
| 7   | 4402050109 | VENTIL LUFTANSAUGUNG           |       | 16  | * 11509    | GEGENSTROMPUMPE ANTRIEB VERTIKAL  |       |
| 8   | 4402050107 | ANSCHLUSSFLANSCH UND DICHTUNG  |       | 17  | * 25456    | STEUERSCHRANK FÜR GEGENSTROMDÜSE  |       |
| 9   | 4402050118 | ROHR SAUG/DRUCK                |       | 17  | * 32151    | STEUERSCHRANK FÜR GEGENSTROMDÜSE  |       |
| 10  | 4402050126 | BEFESTIGUNGSPLATINE KUNSTSTOFF |       | 17  | * 11510    | STEUERSCHRANK FÜR GEGENSTROMDÜSE  |       |
| 11  | 4402050110 | QUETSCHVERSCHRAUBUNG E.C.C.    |       | 18  | 11503      | LAGERGEHÄUSE KUNSTSTOFF           |       |

CODE **35375, 35376, 35377, 37214**

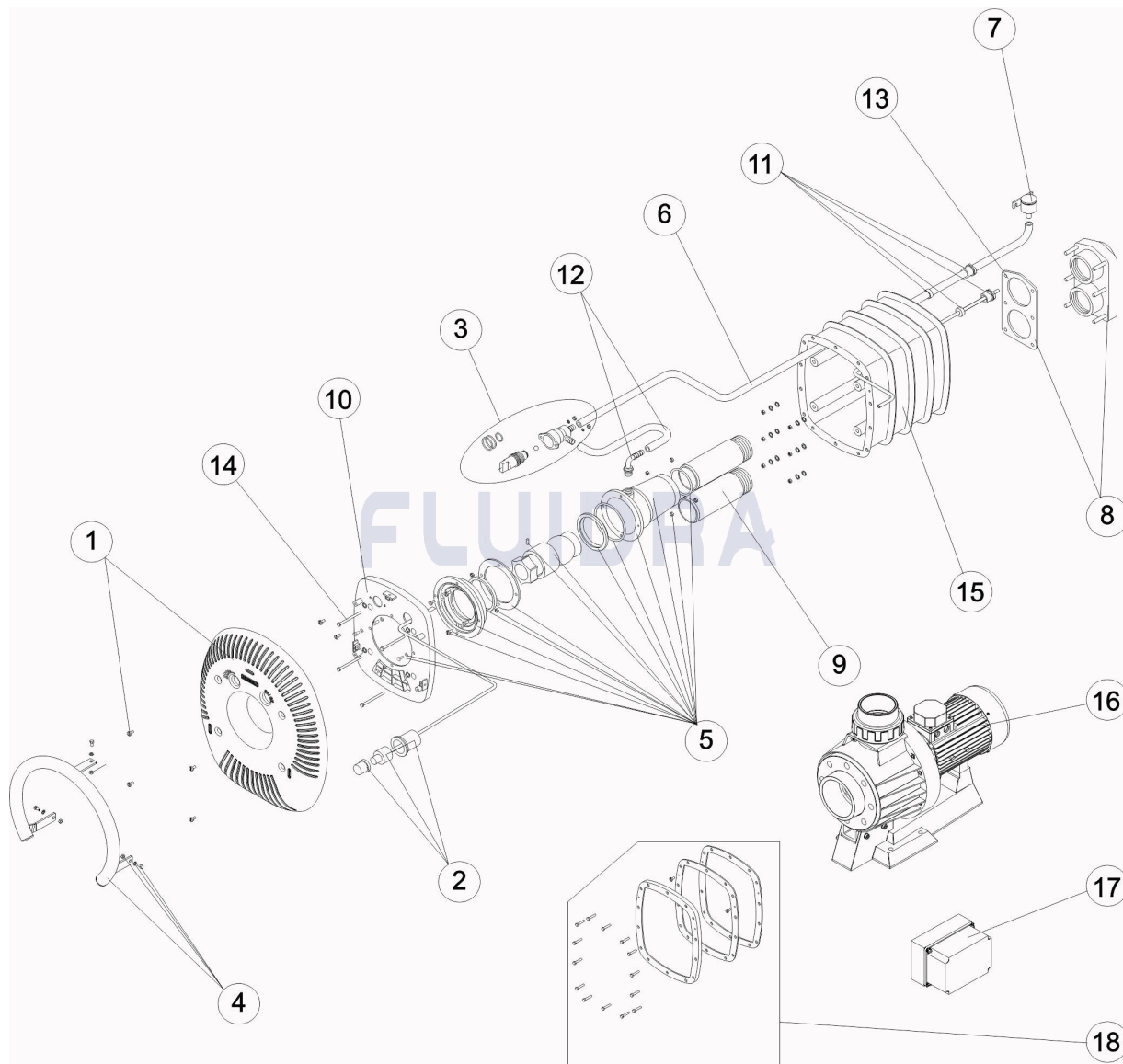
BESCHREIBUNG: **GEGENSCHWIMMGERÄT**

**HINWEISE**

| POS | CODE    | HINWEISE   |
|-----|---------|------------|
| 16  | * 28568 | FÜR: 35375 |
| 16  | * 30774 | FÜR: 35376 |
| 16  | * 11509 | FÜR: 35377 |
| 17  | * 25456 | FÜR: 35375 |
| 17  | * 32151 | FÜR: 35376 |
| 17  | * 11510 | FÜR: 35377 |

**CODIGO 35375, 35376, 35377, 37214**

**DESCRIÇÃO: EQUIPAMENTO NATAÇÃO CONTRA-CORRENTE**



**PORTUGUES**

| POS | CODIGO     | DESCRIÇÃO                   | JANTIDADE | POS | CODIGO     | DESCRIÇÃO                             | JANTIDADE |
|-----|------------|-----------------------------|-----------|-----|------------|---------------------------------------|-----------|
| 1   | 4402050601 | COBERTA ECC. ECO.           |           | 12  | 4402050121 | TUBO ASPIRAÇÃO VENTURI L-300 M/M.     |           |
| 2   | 4402050119 | PURSÁTIL COMPLETO           |           | 13  | 4402050108 | JUNTA TAMPA E.C.C.                    |           |
| 3   | 4402050603 | VÁLVULA REGULAÇÃO E.C.C.    |           | 14  | 4402050134 | PARAFUSOS PLACA FIXAÇÃO               |           |
| 4   | 4402050604 | AGARRADEIRA                 |           | 15  | 11502R0100 | CAIXA DE ALOJAMENTO                   |           |
| 5   | 4402050605 | BOCA COMPLETA E.C.C.        |           | 16  | * 28568    | BOMBA CONTRAC. IMPUL. VERTICAL 2-2,5- |           |
| 6   | 4401070015 | TUBAGEM DE ASPIRAÇÃO 1,5 M. |           | 16  | * 30774    | BOMBA CONTRAC. IMPUL. VERTICAL 2-2,5- |           |
| 7   | 4402050109 | VÁLVULA ASPIRAÇÃO AR        |           | 16  | * 11509    | BOMBA CONTRAC. IMPUL. VERTICAL 2-2,5- |           |
| 8   | 4402050107 | FLANGE LIGAÇÃO COM JUNTA    |           | 17  | * 25456    | QUADRO DE COMANDO PARA CONTRACOI      |           |
| 9   | 4402050118 | TUBO ASPIRAÇÃO / IMPULSÃO   |           | 17  | * 32151    | QUADRO DE COMANDO PARA CONTRACOI      |           |
| 10  | 4402050126 | PLACA FIXAÇÃO PLÁSTICO      |           | 17  | * 11510    | QUADRO DE COMANDO PARA CONTRACOI      |           |
| 11  | 4402050110 | BUCIN                       |           | 18  | 11503      | CAIXA DE ALOJAMENTO PLÁSTICO          |           |

**CODIGO**                    **35375, 35376, 35377, 37214**

**DESCRIÇÃO: EQUIPAMENTO NATAÇÃO CONTRA-CORRENTE**

## OBSERVAÇÕES

| POS | CODIGO  | OBSERVAÇÕES |
|-----|---------|-------------|
| 16  | * 28568 | PARA: 35375 |
| 16  | * 30774 | PARA: 35376 |
| 16  | * 11509 | PARA: 35377 |
| 17  | * 25456 | PARA: 35375 |
| 17  | * 32151 | PARA: 35376 |
| 17  | * 11510 | PARA: 35377 |