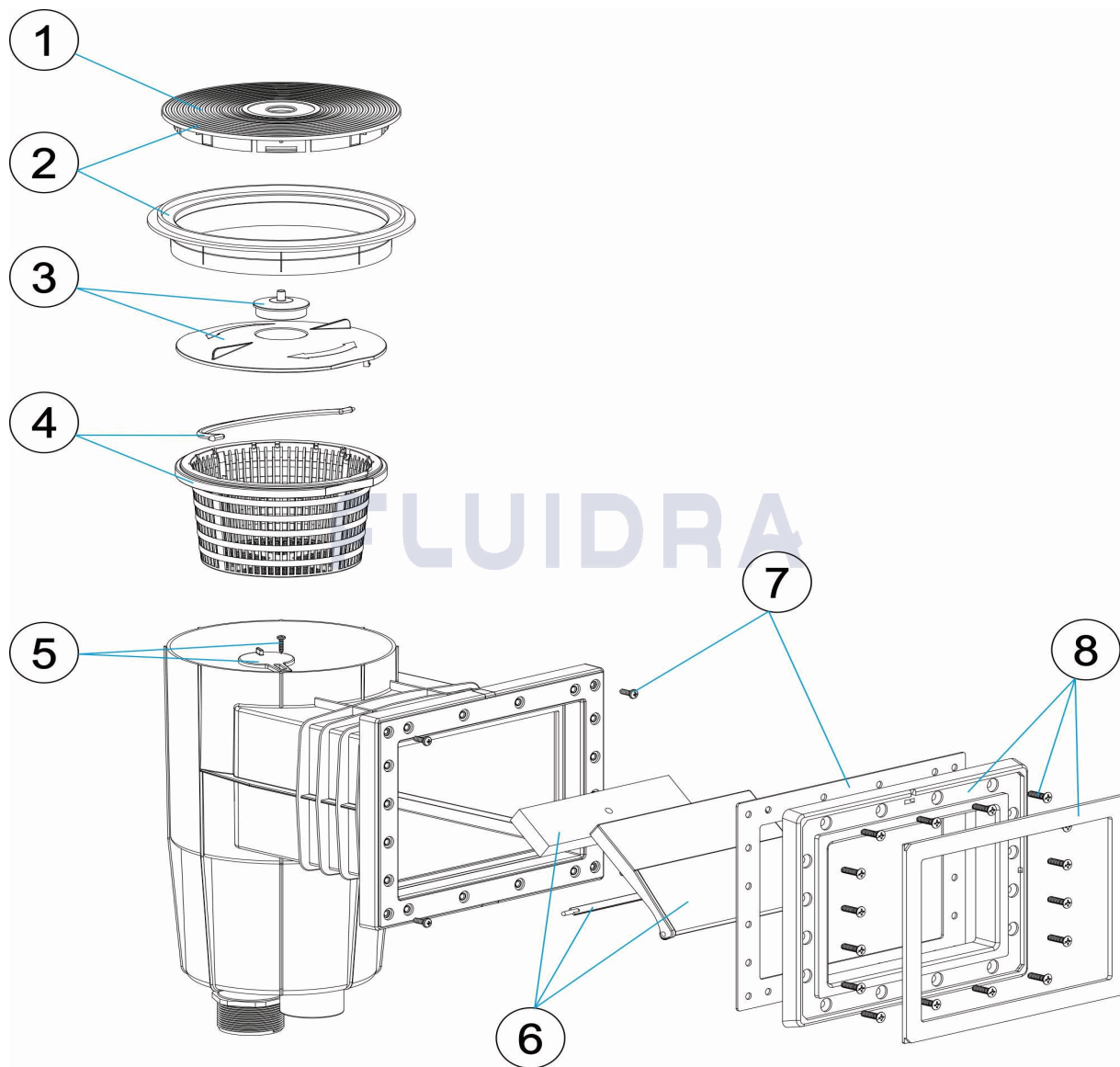


CODIGO **01461, 01461CL090, 01461CL129, 01461CL144**

DESCRIPCION: **SKIMMER 15L PP B.STD. T. CIRC.**



**ESPAÑOL**

POS	CODIGO	DESCRIPCION	CANTIDAD	POS	CODIGO	DESCRIPCION	CANTIDAD
1	* 4402010108	TAPA CIRCULAR SKIMMER		5	4402010102	CLAPETA SKIMMER	
1	* 4402010116	TAPA CIRCULAR SKIMMER		6	* 4402010101	COMPUERTA SKIMMER BISAGRA	
1	* 4402010117	TAPA CIRCULAR SKIMMER		6	* 4402010026	CONJUNTO COMPUERTA SKIMMER + FLOT	
1	* 4402010118	TAPA CIRCULAR SKIMMER		6	* 4402010030	CONJUNTO COMPUERTA SKIMMER + FLOT	
2	* 4402010105	TAPA Y ARO CIRCULAR SKIMMER		6	* 4402010072	COMPUERTA SKIMMER BISAGRA	
2	* 00249-0600CL090	TAPA Y ARO CIRCULAR SKIMMER		7	4402014001	JUNTA SKIMMER PEQUEÑA PISC. PREF.	
2	* 00249-0600CL129	TAPA Y ARO CIRCULAR SKIMMER		8	* 4402010308	MARCO PEQUEÑO SKIMMER	
2	* 00249-0600CL144	TAPA Y ARO CIRCULAR SKIMMER		8	* 4402010121	MARCO PEQUEÑO SKIMMER	
3	4402010104	TAPA CESTO SKIMMER CON TAPON		8	* 4402010126	MARCO PEQUEÑO SKIMMER	
4	4402010103	CESTO SKIMMER		8	* 4402010088	MARCO PEQUEÑO SKIMMER	

**CODIGO 01461, 01461CL090, 01461CL129, 01461CL144**

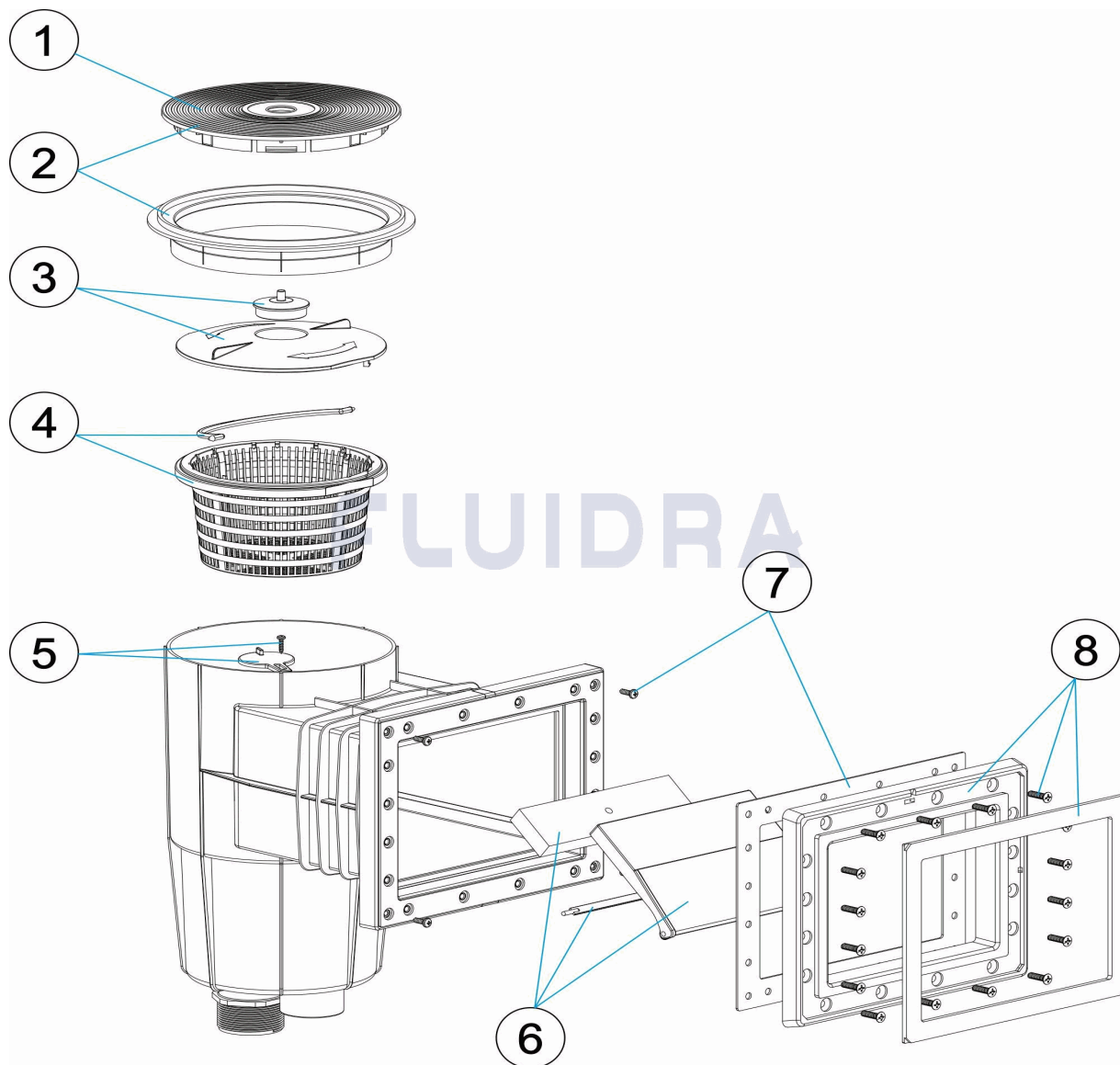
**DESCRIPCION: SKIMMER 15L PP B.STD. T. CIRC.**

## OBSERVACIONES

POS	CODIGO	OBSERVACIONES
1	* 4402010108	PARA: 01461 WHITE
1	* 4402010116	PARA: 01461CL090 BEIGE
1	* 4402010117	PARA: 01461CL129 GREY
1	* 4402010118	PARA: 01461CL144 ANTHRACITE
2	* 4402010105	PARA: 01461 WHITE
2	* 00249-0600CL090	PARA: 01461CL090 BEIGE
2	* 00249-0600CL129	PARA: 01461CL129 GREY
2	* 00249-0600CL144	PARA: 01461CL144 ANTHRACITE
6	* 4402010101	PARA: 01461 WHITE
6	* 4402010026	PARA: 01461CL090 BEIGE
6	* 4402010030	PARA: 01461CL129 GREY
6	* 4402010072	PARA: 01461CL144 ANTHRACITE
8	* 4402010308	PARA: 01461 WHITE
8	* 4402010121	PARA: 01461CL090 BEIGE
8	* 4402010126	PARA: 01461CL129 GREY
8	* 4402010088	PARA: 01461CL144 ANTHRACITE

CODE 01461, 01461CL090, 01461CL129, 01461CL144

DESCRIPTION: SKIMMER 15L PP B.STD. C. CIRC.



FRANCAIS

POS	CODE	DESCRIPTION	QUANTITE	POS	CODE	DESCRIPTION	QUANTITE
1	* 4402010108	COUVERCLE ROND SKIMMER		5	4402010102	CLAPET SKIMMER	
1	* 4402010116	COUVERCLE ROND SKIMMER		6	* 4402010101	VOLET ET CHARNIERE SKIMMER	
1	* 4402010117	COUVERCLE ROND SKIMMER		6	* 4402010026	VOLET ET CHARNIERE SKIMMER	
1	* 4402010118	COUVERCLE ROND SKIMMER		6	* 4402010030	VOLET ET CHARNIERE SKIMMER	
2	* 4402010105	COUVERCLE ET CADRE ROND SKIMMER		6	* 4402010072	VOLET ET CHARNIERE SKIMMER	
2	* 00249-0600CL090	COUVERCLE ET CADRE ROND SKIMMER		7	4402014001	JOINT SKIM PETIT MODELE PISCINE LINER	
2	* 00249-0600CL129	COUVERCLE ET CADRE ROND SKIMMER		8	* 4402010308	BRIDE ET CACHE VIS KIT LINER	
2	* 00249-0600CL144	COUVERCLE ET CADRE ROND SKIMMER		8	* 4402010121	BRIDE ET CACHE VIS KIT LINER	
3	4402010104	COUVERCLE PANIER SKIMMER AVEC BOU		8	* 4402010126	BRIDE ET CACHE VIS KIT LINER	
4	4402010103	PANIER SKIMMER		8	* 4402010088	BRIDE ET CACHE VIS KIT LINER	

CODE **01461, 01461CL090, 01461CL129, 01461CL144**

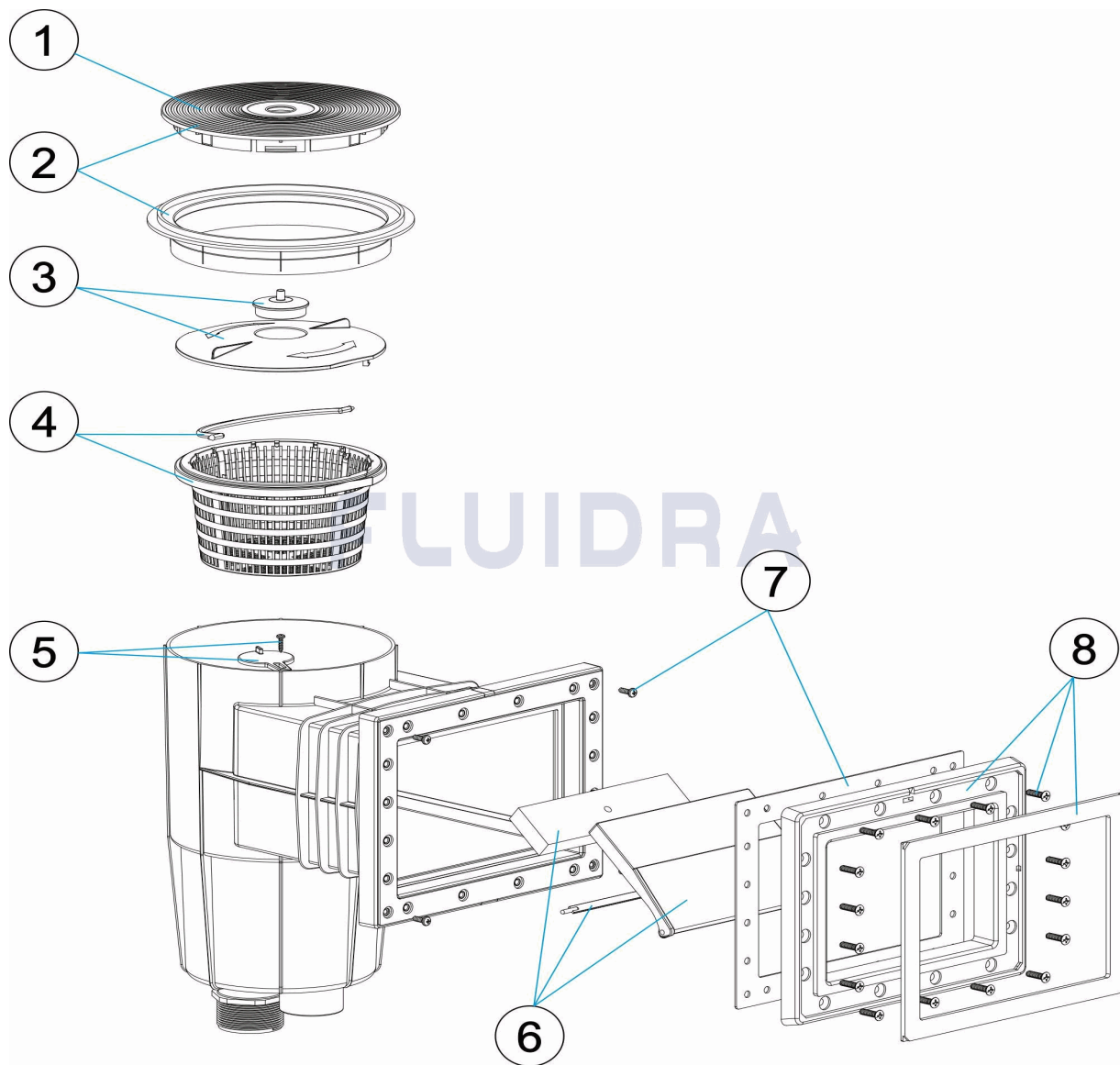
DESCRIPTION: **SKIMMER 15L PP B.STD. C. CIRC.**

## OBSERVATIONS

POS	CODE	OBSERVATIONS
1	* 4402010108	POUR: 01461 WHITE
1	* 4402010116	POUR: 01461CL090 BEIGE
1	* 4402010117	POUR: 01461CL129 GREY
1	* 4402010118	POUR: 01461CL144 ANTHRACITE
2	* 4402010105	POUR: 01461 WHITE
2	* 00249-0600CL090	POUR: 01461CL090 BEIGE
2	* 00249-0600CL129	POUR: 01461CL129 GREY
2	* 00249-0600CL144	POUR: 01461CL144 ANTHRACITE
6	* 4402010101	POUR: 01461 WHITE
6	* 4402010026	POUR: 01461CL090 BEIGE
6	* 4402010030	POUR: 01461CL129 GREY
6	* 4402010072	POUR: 01461CL144 ANTHRACITE
8	* 4402010308	POUR: 01461 WHITE
8	* 4402010121	POUR: 01461CL090 BEIGE
8	* 4402010126	POUR: 01461CL129 GREY
8	* 4402010088	POUR: 01461CL144 ANTHRACITE

CODE **01461, 01461CL090, 01461CL129, 01461CL144**

DESCRIPTION: **SKIMMER 15L PP B.STD. CIRC. COVER**



**ENGLISH**

POS	CODE	DESCRIPTION	QUANTITY	POS	CODE	DESCRIPTION	QUANTITY
1	* 4402010108	CIRCULAR SKIMMER LID		5	4402010102	KEYHOLE FLAP	
1	* 4402010116	CIRCULAR SKIMMER LID		6	* 4402010101	FLAP RETAINING CLIP	
1	* 4402010117	CIRCULAR SKIMMER LID		6	* 4402010026	FLAP RETAINING CLIP	
1	* 4402010118	CIRCULAR SKIMMER LID		6	* 4402010030	FLAP RETAINING CLIP	
2	* 4402010105	CIRCULAR LID AND LID FRAME		6	* 4402010072	FLAP RETAINING CLIP	
2	* 00249-0600CL090	CIRCULAR LID AND LID FRAME		7	4402014001	SMALL SKIMMER GASKETS FOR LINER PO	
2	* 00249-0600CL129	CIRCULAR LID AND LID FRAME		8	* 4402010308	SMALL SKIMMER FRAME	
2	* 00249-0600CL144	CIRCULAR LID AND LID FRAME		8	* 4402010121	SMALL SKIMMER FRAME	
3	4402010104	VACUUM PLATE WITH PLUG		8	* 4402010126	SMALL SKIMMER FRAME	
4	4402010103	SKIMMER BASKET		8	* 4402010088	SMALL SKIMMER FRAME	

CODE                    **01461, 01461CL090, 01461CL129, 01461CL144**

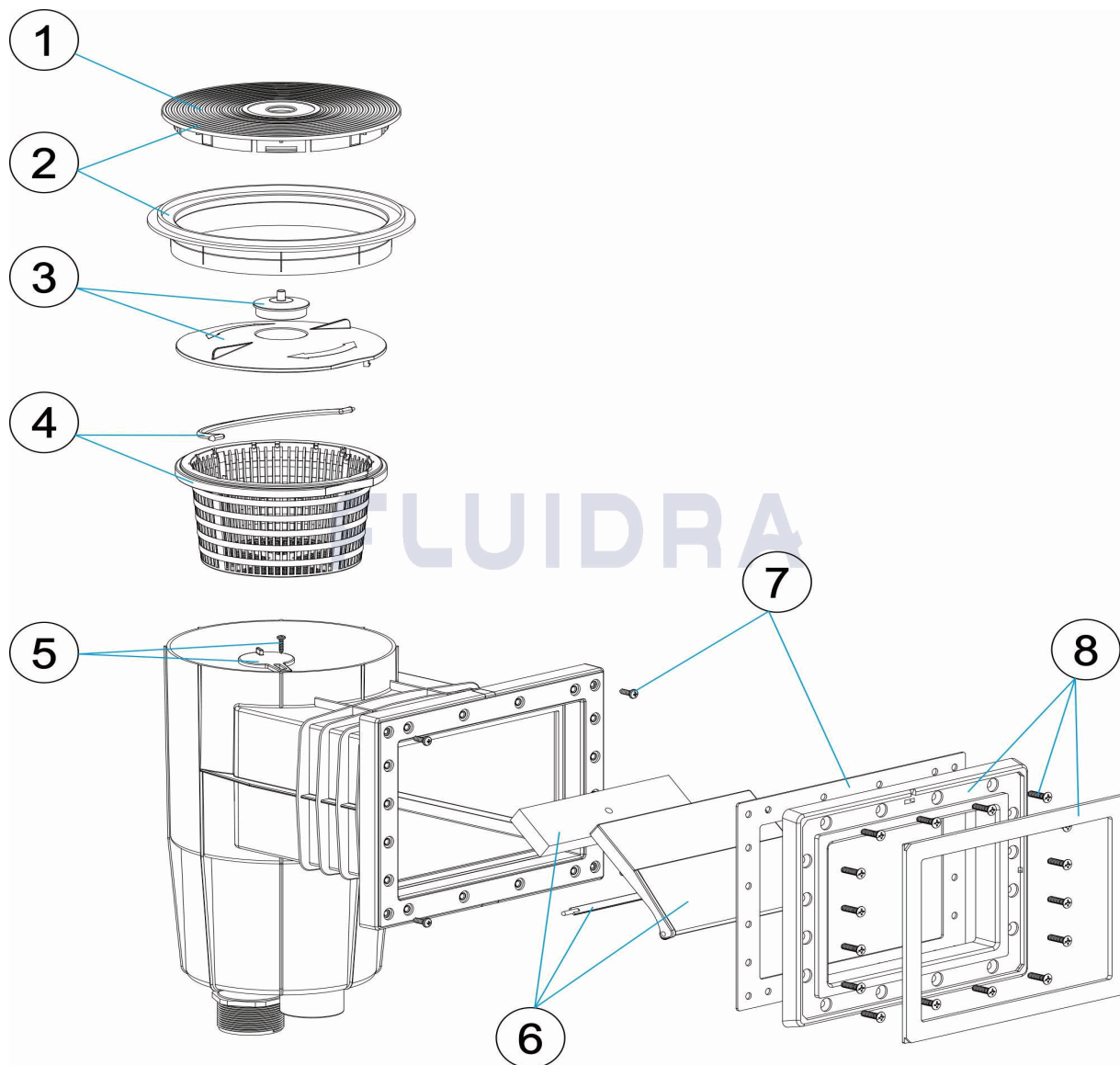
DESCRIPTION: **SKIMMER 15L PP B.STD. CIRC. COVER**

## OBSERVATIONS

POS	CODE	OBSERVATIONS
1	* 4402010108	FOR: 01461 WHITE
1	* 4402010116	FOR: 01461CL090 BEIGE
1	* 4402010117	FOR: 01461CL129 GREY
1	* 4402010118	FOR: 01461CL144 ANTHRACITE
2	* 4402010105	FOR: 01461 WHITE
2	* 00249-0600CL090	FOR: 01461CL090 BEIGE
2	* 00249-0600CL129	FOR: 01461CL129 GREY
2	* 00249-0600CL144	FOR: 01461CL144 ANTHRACITE
6	* 4402010101	FOR: 01461 WHITE
6	* 4402010026	FOR: 01461CL090 BEIGE
6	* 4402010030	FOR: 01461CL129 GREY
6	* 4402010072	FOR: 01461CL144 ANTHRACITE
8	* 4402010308	FOR: 01461 WHITE
8	* 4402010121	FOR: 01461CL090 BEIGE
8	* 4402010126	FOR: 01461CL129 GREY
8	* 4402010088	FOR: 01461CL144 ANTHRACITE

CODICE 01461, 01461CL090, 01461CL129, 01461CL144

DESCRIZIONE: SKIMMER 15L PP B. STD. T. CIRC.



ITALIANO

POS	CODICE	DESCRIZIONE	QUANTITA'	POS	CODICE	DESCRIZIONE	QUANTITA'
1	* 4402010108	COPERCHIO TONDO SKIMMER		5	4402010102	ALETTA PARZIALIZZATRICE SKIMMER	
1	* 4402010116	COPERCHIO TONDO SKIMMER		6	* 4402010101	BATTENTE SKIMMER CON PERNO	
1	* 4402010117	COPERCHIO TONDO SKIMMER		6	* 4402010026	BATTENTE SKIMMER CON PERNO	
1	* 4402010118	COPERCHIO TONDO SKIMMER		6	* 4402010030	BATTENTE SKIMMER CON PERNO	
2	* 4402010105	COPERCHIO E CORNICE TONDA SKIMMEF		6	* 4402010072	BATTENTE SKIMMER CON PERNO	
2	* 00249-0600CL090	COPERCHIO E CORNICE TONDA SKIMMEF		7	4402014001	GUARNIZIONE PER SKIMMER BASE P.F.	
2	* 00249-0600CL129	COPERCHIO E CORNICE TONDA SKIMMEF		8	* 4402010308	CORNICE PICCOLA SKIMMER	
2	* 00249-0600CL144	COPERCHIO E CORNICE TONDA SKIMMEF		8	* 4402010121	CORNICE PICCOLA SKIMMER	
3	4402010104	COPERCHIO CESTELLO SKIMMER CON TA		8	* 4402010126	CORNICE PICCOLA SKIMMER	
4	4402010103	CESTELLO SKIMMER		8	* 4402010088	CORNICE PICCOLA SKIMMER	

CODICE **01461, 01461CL090, 01461CL129, 01461CL144**

DESCRIZIONE: **SKIMMER 15L PP B. STD. T. CIRC.**

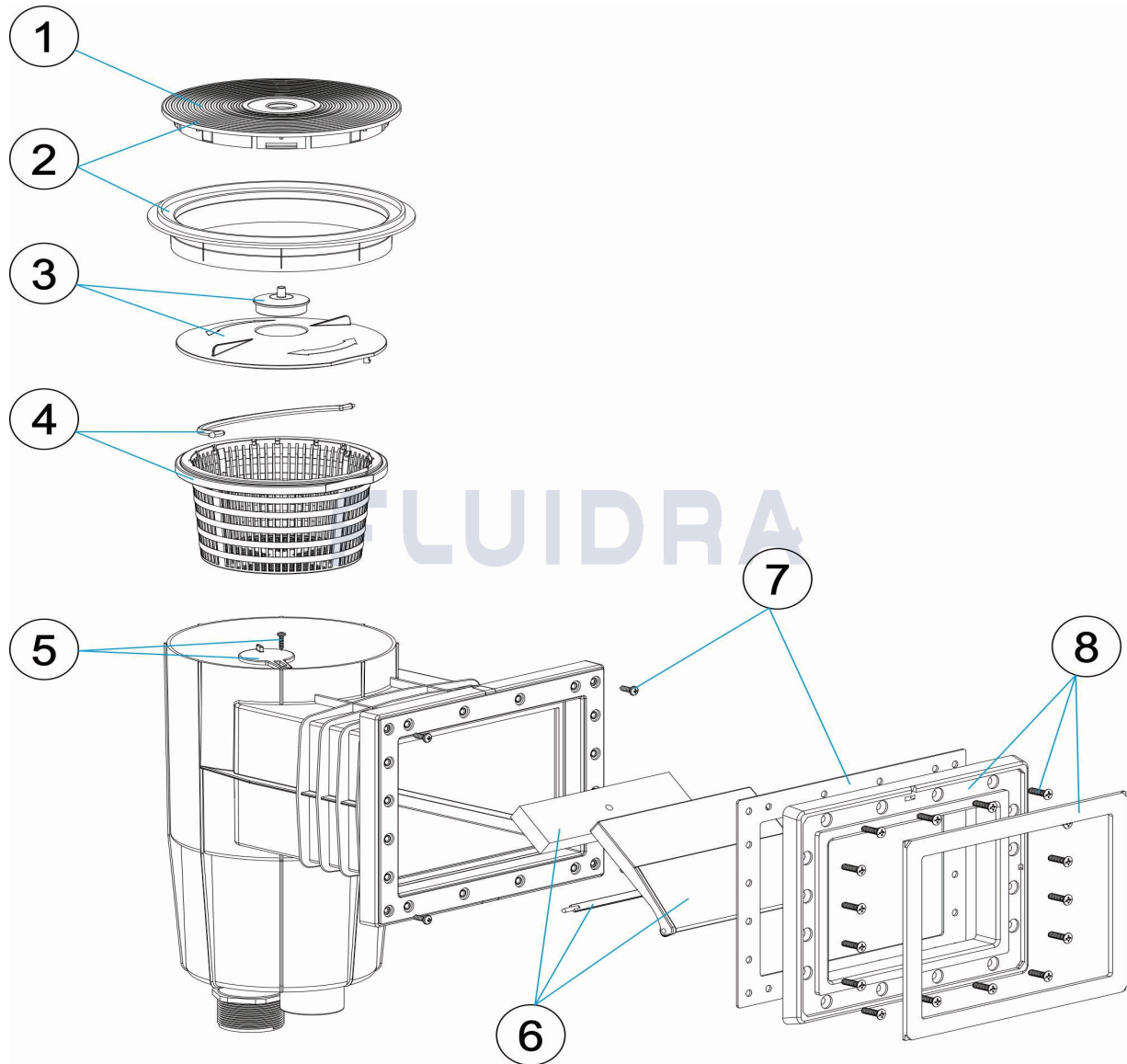
## OSSERVAZIONI

POS	CODICE	OSSERVAZIONI
1	* 4402010108	PER: 01461 WHITE
1	* 4402010116	PER: 01461CL090 BEIGE
1	* 4402010117	PER: 01461CL129 GREY
1	* 4402010118	PER: 01461CL144 ANTHRACITE
2	* 4402010105	PER: 01461 WHITE
2	* 00249-0600CL090	PER: 01461CL090 BEIGE
2	* 00249-0600CL129	PER: 01461CL129 GREY
2	* 00249-0600CL144	PER: 01461CL144 ANTHRACITE
6	* 4402010101	PER: 01461 WHITE
6	* 4402010026	PER: 01461CL090 BEIGE
6	* 4402010030	PER: 01461CL129 GREY
6	* 4402010072	PER: 01461CL144 ANTHRACITE
8	* 4402010308	PER: 01461 WHITE
8	* 4402010121	PER: 01461CL090 BEIGE
8	* 4402010126	PER: 01461CL129 GREY
8	* 4402010088	PER: 01461CL144 ANTHRACITE



CODE **01461, 01461CL090, 01461CL129, 01461CL144**

BESCHREIBUNG: **SKIMMER 15L PP EINLASS STANDARD ABDECKUNG RUND**



**DEUTSCH**

POS	CODE	BESCHREIBUNG	MENGE	POS	CODE	BESCHREIBUNG	MENGE
1	* 4402010108	ABDECKUNG RUND SKIMMER		5	4402010102	ABDECKKAPPE	
1	* 4402010116	ABDECKUNG RUND SKIMMER		6	* 4402010101	SKIMMERKLAPPE SCHARNIER	
1	* 4402010117	ABDECKUNG RUND SKIMMER		6	* 4402010026	SET SKIMMERKLAPPE MIT SCHWIMMER	
1	* 4402010118	ABDECKUNG RUND SKIMMER		6	* 4402010030	SET SKIMMERKLAPPE MIT SCHWIMMER	
2	* 4402010105	ABDECKUNG UND RING SKIMMER RUND		6	* 4402010072	SKIMMERKLAPPE SCHARNIER	
2	* 00249-0600CL090	ABDECKUNG UND RING SKIMMER RUND		7	4402014001	DICHTUNG SKIMMER KLEIN FERTIGBECKE	
2	* 00249-0600CL129	ABDECKUNG UND RING SKIMMER RUND		8	* 4402010308	KLEINER SKIMMERRAHMEN	
2	* 00249-0600CL144	ABDECKUNG UND RING SKIMMER RUND		8	* 4402010121	KLEINER SKIMMERRAHMEN	
3	4402010104	ABDECKUNG SKIMMKORB MIT STOPFEN		8	* 4402010126	KLEINER SKIMMERRAHMEN	
4	4402010103	SKIMMERKORB		8	* 4402010088	KLEINER SKIMMERRAHMEN	

CODE **01461, 01461CL090, 01461CL129, 01461CL144**

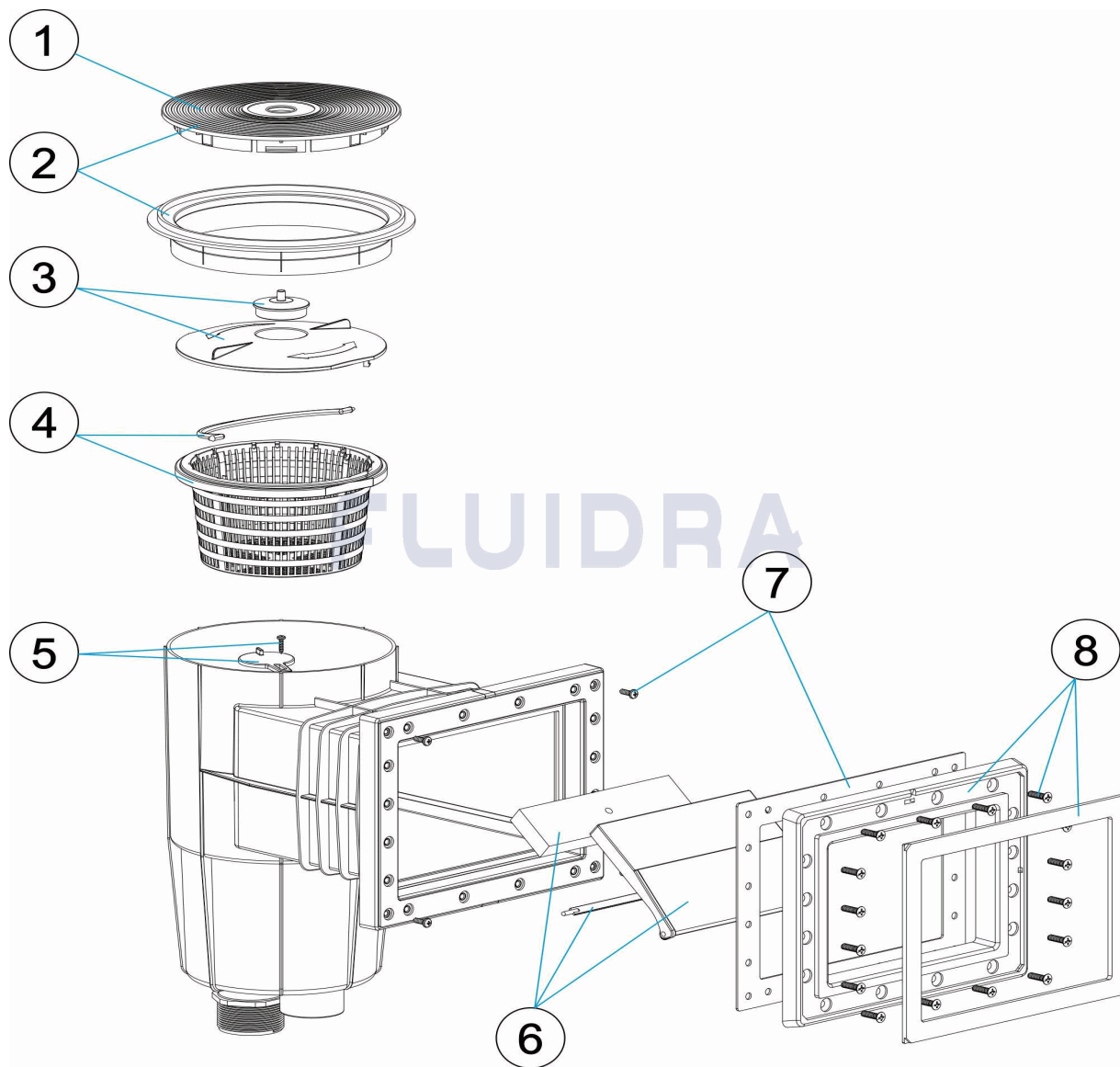
BESCHREIBUNG: **SKIMMER 15L PP EINLASS STANDARD ABDECKUNG RUND**

## HINWEISE

POS	CODE	HINWEISE
1	* 4402010108	FÜR: 01461 WHITE
1	* 4402010116	FÜR: 01461CL090 BEIGE
1	* 4402010117	FÜR: 01461CL129 GREY
1	* 4402010118	FÜR: 01461CL144 ANTHRACITE
2	* 4402010105	FÜR: 01461 WHITE
2	* 00249-0600CL090	FÜR: 01461CL090 BEIGE
2	* 00249-0600CL129	FÜR: 01461CL129 GREY
2	* 00249-0600CL144	FÜR: 01461CL144 ANTHRACITE
6	* 4402010101	FÜR: 01461 WHITE
6	* 4402010026	FÜR: 01461CL090 BEIGE
6	* 4402010030	FÜR: 01461CL129 GREY
6	* 4402010072	FÜR: 01461CL144 ANTHRACITE
8	* 4402010308	FÜR: 01461 WHITE
8	* 4402010121	FÜR: 01461CL090 BEIGE
8	* 4402010126	FÜR: 01461CL129 GREY
8	* 4402010088	FÜR: 01461CL144 ANTHRACITE

CODIGO **01461, 01461CL090, 01461CL129, 01461CL144**

DESCRIÇÃO: **SKIMMER 15 L PP B.STD. T. CIRC.**



**PORTUGUES**

POS	CODIGO	DESCRIÇÃO	JANTIDADE	POS	CODIGO	DESCRIÇÃO	JANTIDADE
1	* 4402010108	TAMPA CIRCULAR SKIMMER		5	4402010102	CLAPETA SKIMMER	
1	* 4402010116	TAMPA CIRCULAR SKIMMER		6	* 4402010101	COMPORTA SKIMMER BISAGRA	
1	* 4402010117	TAMPA CIRCULAR SKIMMER		6	* 4402010026	COMPORTA SKIMMER BISAGRA	
1	* 4402010118	TAMPA CIRCULAR SKIMMER		6	* 4402010030	COMPORTA SKIMMER BISAGRA	
2	* 4402010105	TAMPA E ARO CIRCULAR SKIMMER		6	* 4402010072	COMPORTA SKIMMER BISAGRA	
2	* 00249-0600CL090	TAMPA E ARO CIRCULAR SKIMMER		7	4402014001	JUNTA PEQUENA DE SKIMMER	
2	* 00249-0600CL129	TAMPA E ARO CIRCULAR SKIMMER		8	* 4402010308	ARO PEQUENO SKIMMER	
2	* 00249-0600CL144	TAMPA E ARO CIRCULAR SKIMMER		8	* 4402010121	ARO PEQUENO SKIMMER	
3	4402010104	TAMPA CESTO SKIMMER		8	* 4402010126	ARO PEQUENO SKIMMER	
4	4402010103	CESTO SKIMMER		8	* 4402010088	ARO PEQUENO SKIMMER	

**CODIGO 01461, 01461CL090, 01461CL129, 01461CL144**

**DESCRIÇÃO: SKIMMER 15 L PP B.STD. T. CIRC.**

## OBSERVAÇÕES

POS	CODIGO	OBSERVAÇÕES
1	* 4402010108	PARA: 01461 WHITE
1	* 4402010116	PARA: 01461CL090 BEIGE
1	* 4402010117	PARA: 01461CL129 GREY
1	* 4402010118	PARA: 01461CL144 ANTHRACITE
2	* 4402010105	PARA: 01461 WHITE
2	* 00249-0600CL090	PARA: 01461CL090 BEIGE
2	* 00249-0600CL129	PARA: 01461CL129 GREY
2	* 00249-0600CL144	PARA: 01461CL144 ANTHRACITE
6	* 4402010101	PARA: 01461 WHITE
6	* 4402010026	PARA: 01461CL090 BEIGE
6	* 4402010030	PARA: 01461CL129 GREY
6	* 4402010072	PARA: 01461CL144 ANTHRACITE
8	* 4402010308	PARA: 01461 WHITE
8	* 4402010121	PARA: 01461CL090 BEIGE
8	* 4402010126	PARA: 01461CL129 GREY
8	* 4402010088	PARA: 01461CL144 ANTHRACITE