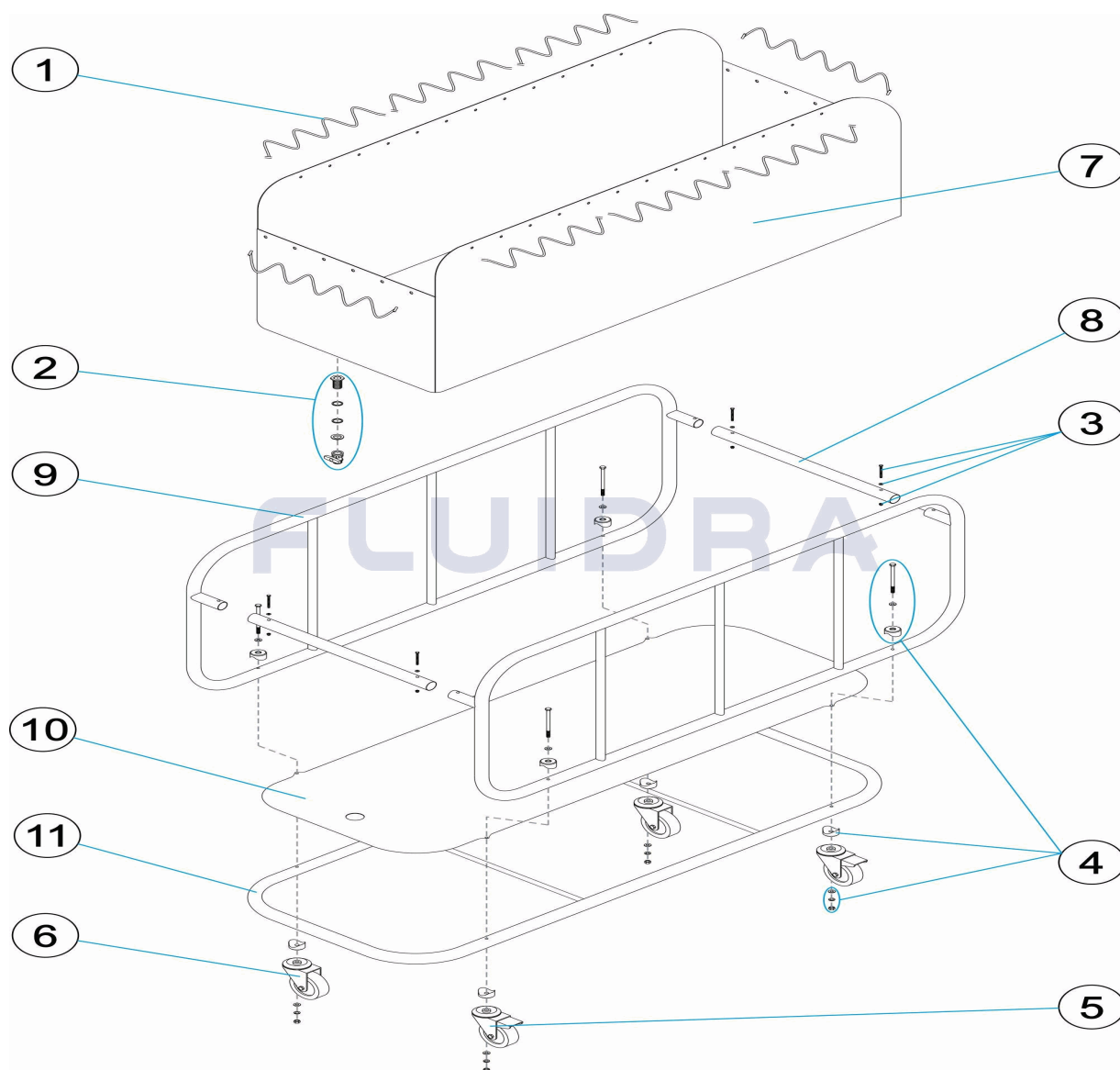


CODIGO **28623**

DESCRIPCION: **CARRO RECOGECORCHERAS**

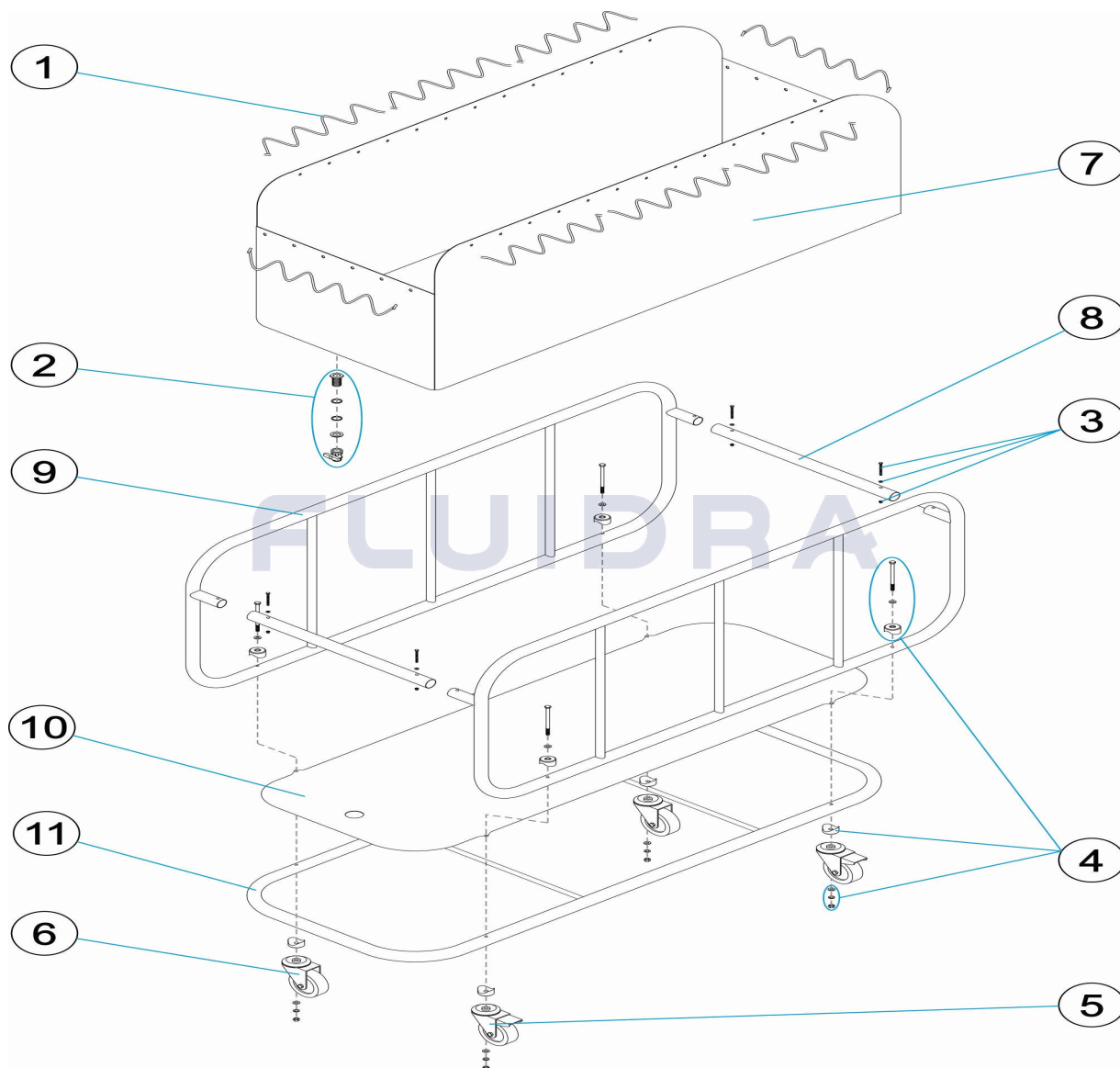


ESPAÑOL

POS	CODIGO	DESCRIPCION	CANTIDAD	POS	CODIGO	DESCRIPCION	CANTIDAD
1	4401050203	GOMAS DE ARRASTRE		7	28623R0004	SACO RECOGECORCHERAS	
2	4401080302	CJTO. DESAGUE		8	28623R0200	TRAVESAÑO UNION LATERALES	
3	4401080005	TORNILLERIA FIJACION TUBO		9	28623R0100	ESTRUCTURA LATERAL SACO RECOG.	
4	4401080301	TORNILLOS FIJACION RUEDA		10	28623R0301	SOPORTE INFERIOR	
5	4401050407	RUEDA GOMA CON FRENO		11	28623R0300	ESTRUCTURA INFERIOR SACO RECOG.	
6	4401050406	RUEDA GOMA SIN FRENO					

CODE 28623

DESCRIPTION: CHARIOT RAMASSE-LIGNES

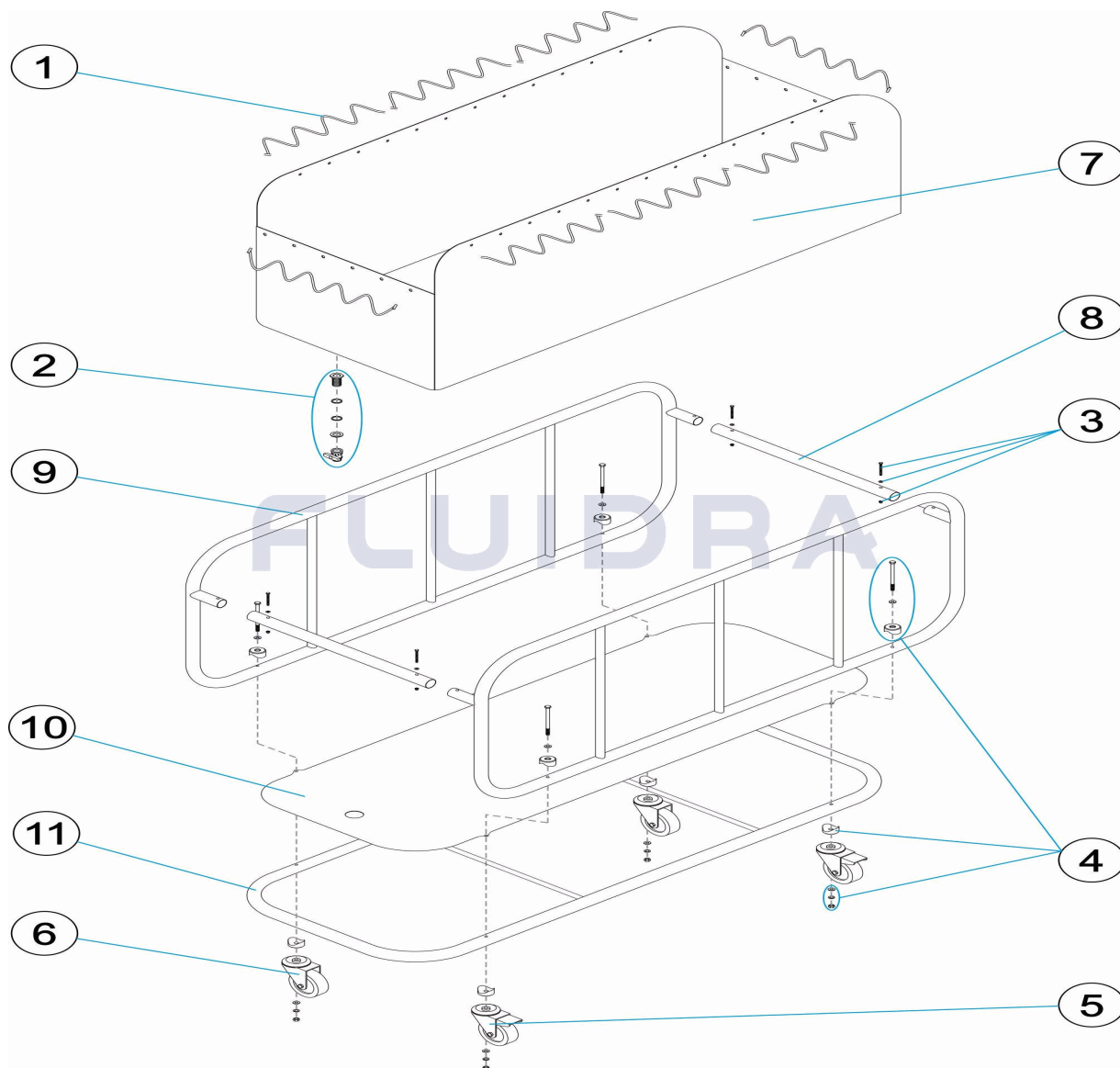


FRANCAIS

POS	CODE	DESCRIPTION	QUANTITE	POS	CODE	DESCRIPTION	QUANTITE
1	4401050203	SANGLES DE TRACTION		7	28623R0004	SAC RECUPERATION FLOTTEURS	
2	4401080302	ENSEMBLE VIDANGE		8	28623R0200	TRAVERSE UNION LATERALE	
3	4401080005	VISSERIE FIXATION TUBE		9	28623R0100	STRUCTURE LATERALE SAC	
4	4401080301	VIS FIXATION ROUE		10	28623R0301	SUPPORT INFERIEURE	
5	4401050407	ROUE CAOUTCHOUC AVEC FREIN		11	28623R0300	STRUCTURE INFERIEURE SAC	
6	4401050406	ROUE CAOUTCHOUC SANS FREIN					

CODE **28623**

DESCRIPTION: **FLOAT LINE ROLLER**

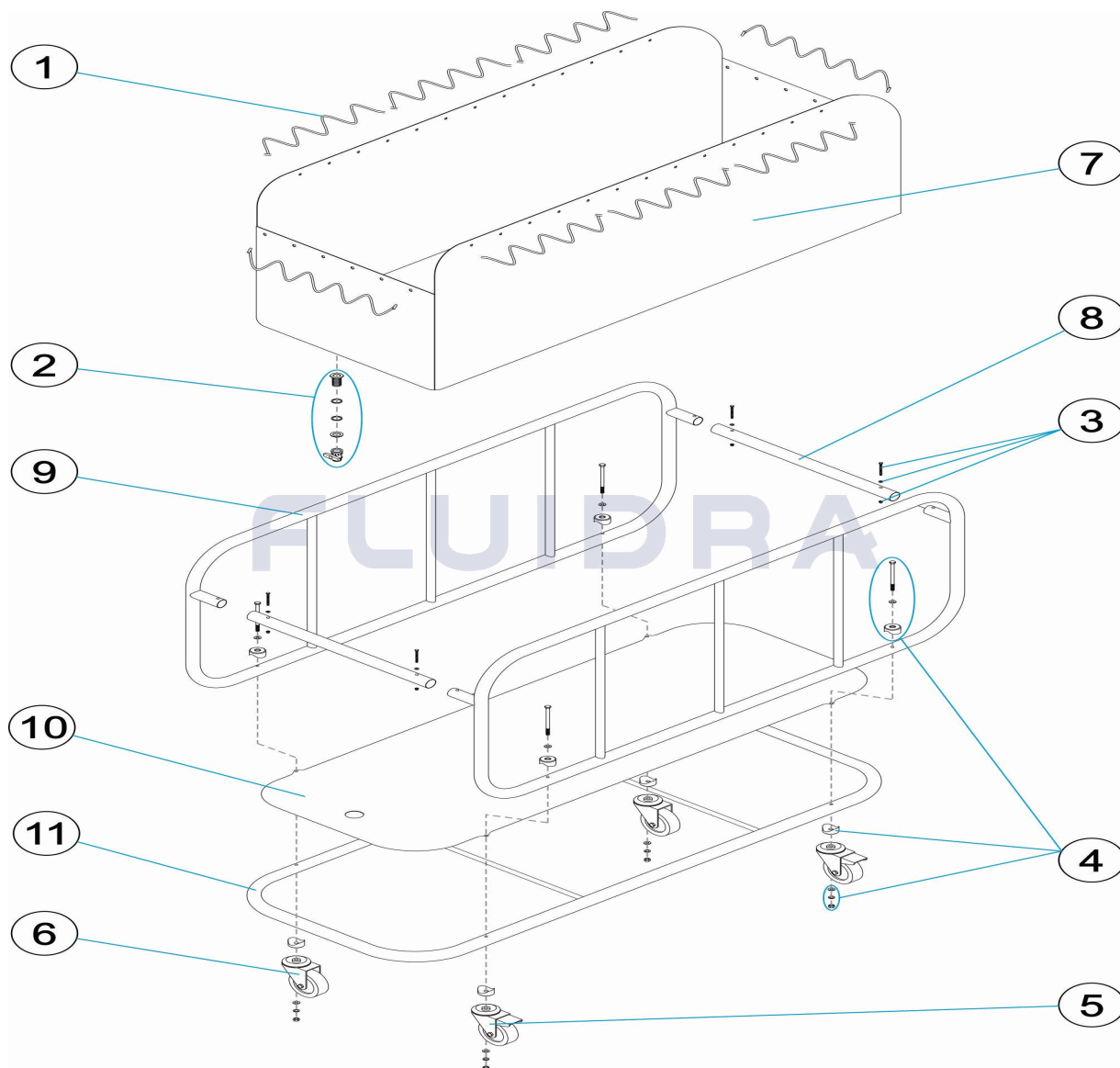


ENGLISH

POS	CODE	DESCRIPTION	QUANTITY	POS	CODE	DESCRIPTION	QUANTITY
1	4401050203	PULL RUBBERS		7	28623R0004	BAG FOR FLOAT LINES	
2	4401080302	DRAINAGE SET		8	28623R0200	LATERAL CONNECTION PIPES	
3	4401080005	SCREWS FOR FIXING TUBE		9	28623R0100	LATERAL STRUCTURE FLOAT LINES	
4	4401080301	FIXING SCREWS FOR WHEELS		10	28623R0301	INFERIOR SUPPORT	
5	4401050407	RUBBER WHEEL (WITH BRAKE)		11	28623R0300	INFERIOR STRUCTUR FOR FLOAT LINES	
6	4401050406	RUBBER WHEEL (WITHOUT BRAKE)					

CODICE 28623

DESCRIZIONE: CARRO RACCOGLI-GALLEGGIANTI

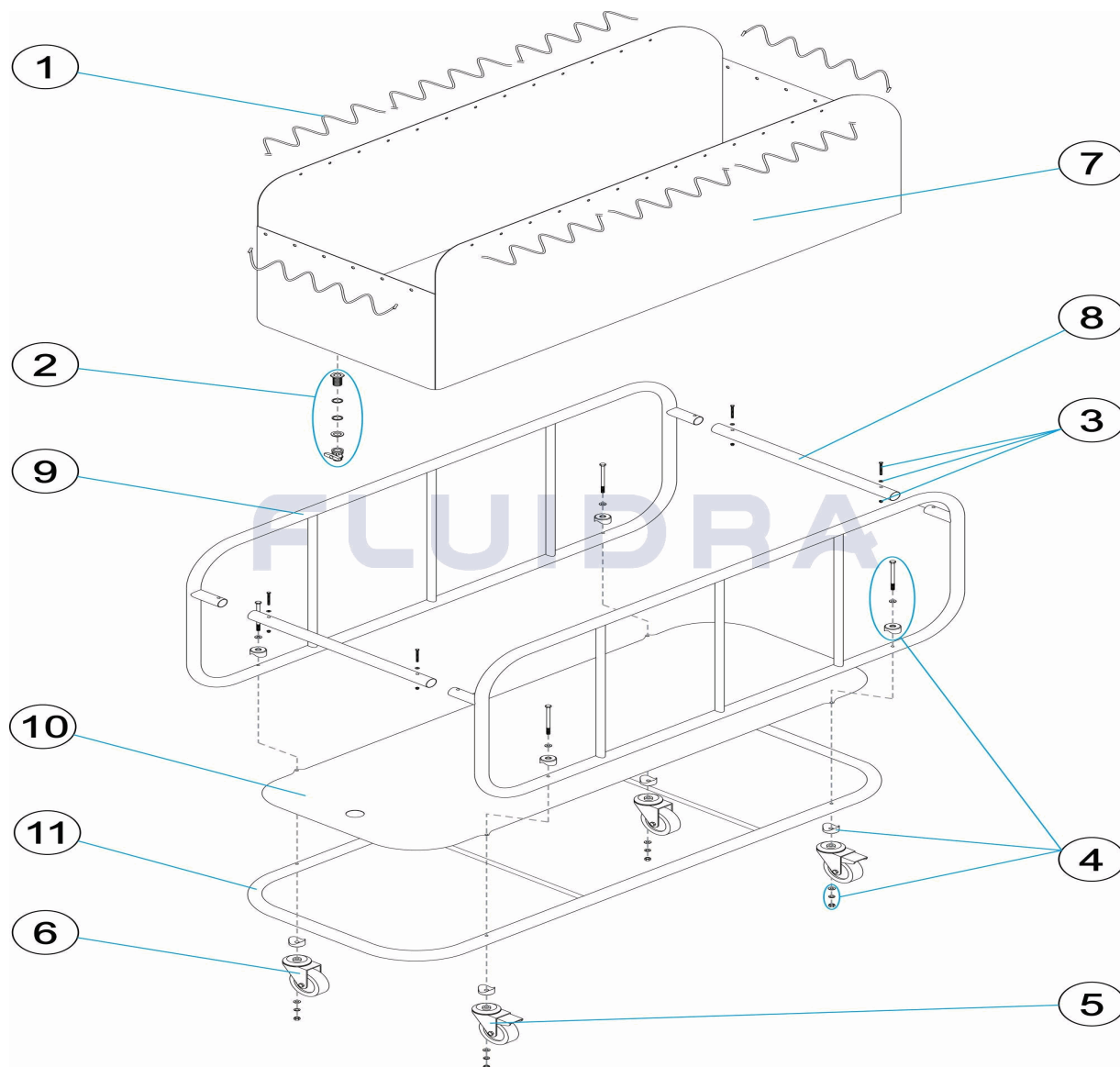


ITALIANO

POS	CODICE	DESCRIZIONE	QUANTITA'	POS	CODICE	DESCRIZIONE	QUANTITA'
1	4401050203	GOMME DI TRASCINAMENTO		7	28623R0004	SACCO RACCOGLICORSIA	
2	4401080302	KIT SCARICO		8	28623R0200	TRAVERSA UNIONE LATERALE	
3	4401080005	ELEMENTI DI FISSAGGIO DEL TUBO		9	28623R0100	STRUTTURA LATERALE SACCO RACCOGLI	
4	4401080301	VITI FISSAGGIO RUOTA		10	28623R0301	SUPPORTO INFERIORE	
5	4401050407	RUOTA GOMMA CON FRENO		11	28623R0300	STRUTTURA INFERIORE SACCO RACCOGLI	
6	4401050406	RUOTA GOMMA SENZA FRENO					

CODE **28623**

BESCHREIBUNG: **KARREN LEINENSCHWIMMER**

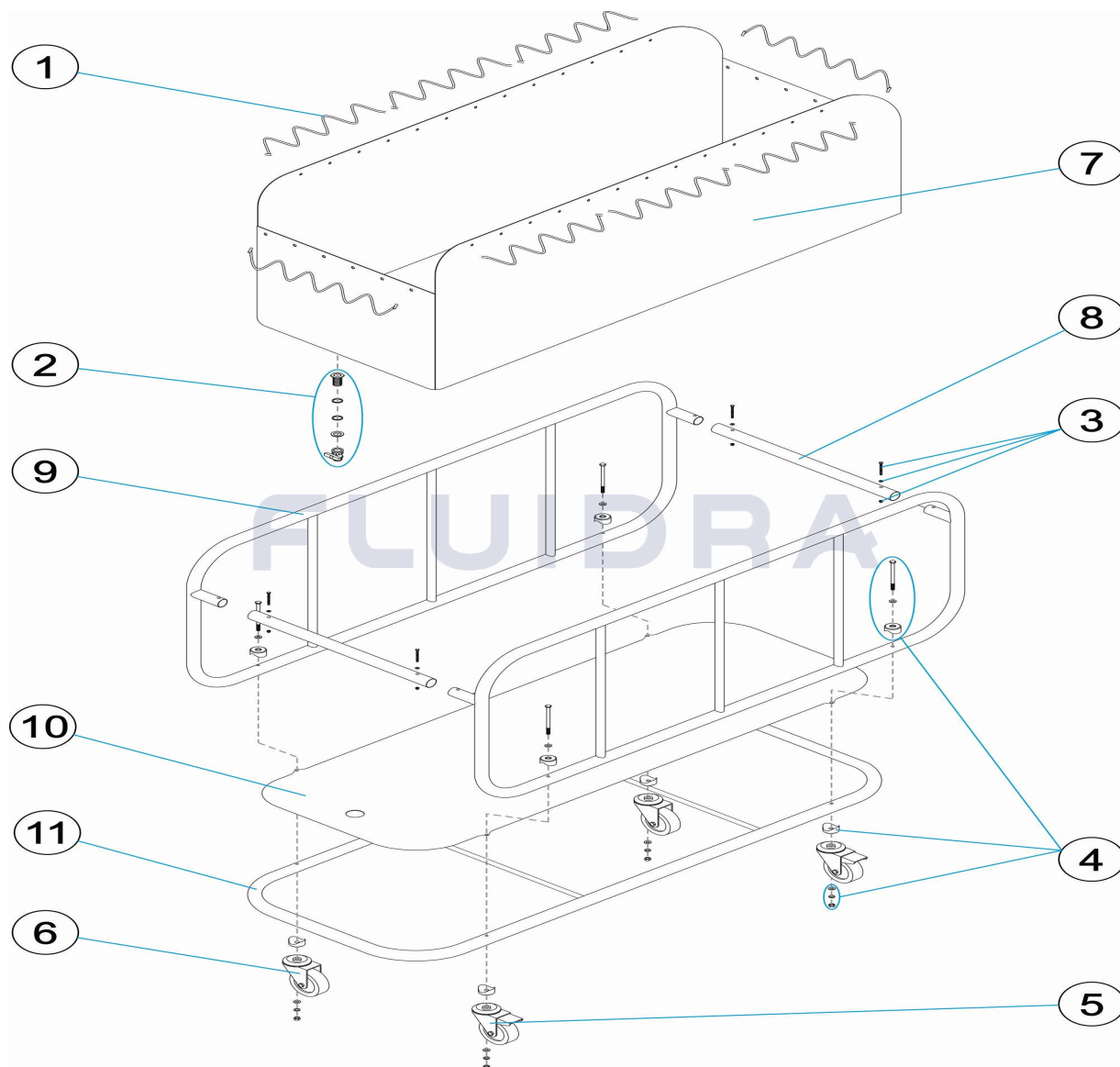


DEUTSCH

POS	CODE	BESCHREIBUNG	MENGE	POS	CODE	BESCHREIBUNG	MENGE
1	4401050203	ZUGGUMMIS		7	28623R0004	BEUTEL LEINENSCHWIMMER	
2	4401080302	SET ABFLUSS		8	28623R0200	QUERTEIL VERBINDUNG SEITLICH	
3	4401080005	FIXIERSCHRAUBEN ROHR		9	28623R0100	SEITENSTRUKTUR BEUTEL	
4	4401080301	FIXIERSCHRAUBEN RAD		10	28623R0301	HALTERUNTEN	
5	4401050407	GIMMIRAD MIT BREMSE		11	28623R0300	STRUKTUR UNTEN BEUTEL	
6	4401050406	GIMMIRAD OHNE BREMSE					

CODIGO **28623**

DESCRICAÇÃO: **CARRO RECOLHA FLUTUADORES**



PORTUGUES

POS	CODIGO	DESCRICAÇÃO	JANTIDADE	POS	CODIGO	DESCRICAÇÃO	JANTIDADE
1	4401050203	BORRACHAS DE ARRASTO		7	28623R0004	SACO RECOLHE PISTAS DE NATAÇÃO	
2	4401080302	CJTO. ESGOTO		8	28623R0200	TRAVESSA UNIÃO DAS LATERAIS	
3	4401080005	PORCAS E PARAFUSOS FIXAÇÃO TUBO		9	28623R0100	ESTRUTURA LATERAL SACO RECOLHE	
4	4401080301	PARAFUSOS PARA FIXAÇÃO DE RODA		10	28623R0301	SUPORTE INFERIOR	
5	4401050407	RODA BORRACHA COM TRAVÃO		11	28623R0300	ESTRUTURA INFERIOR SACO RECOLHE	
6	4401050406	RODA BORRACHA SEM TRAVÃO					