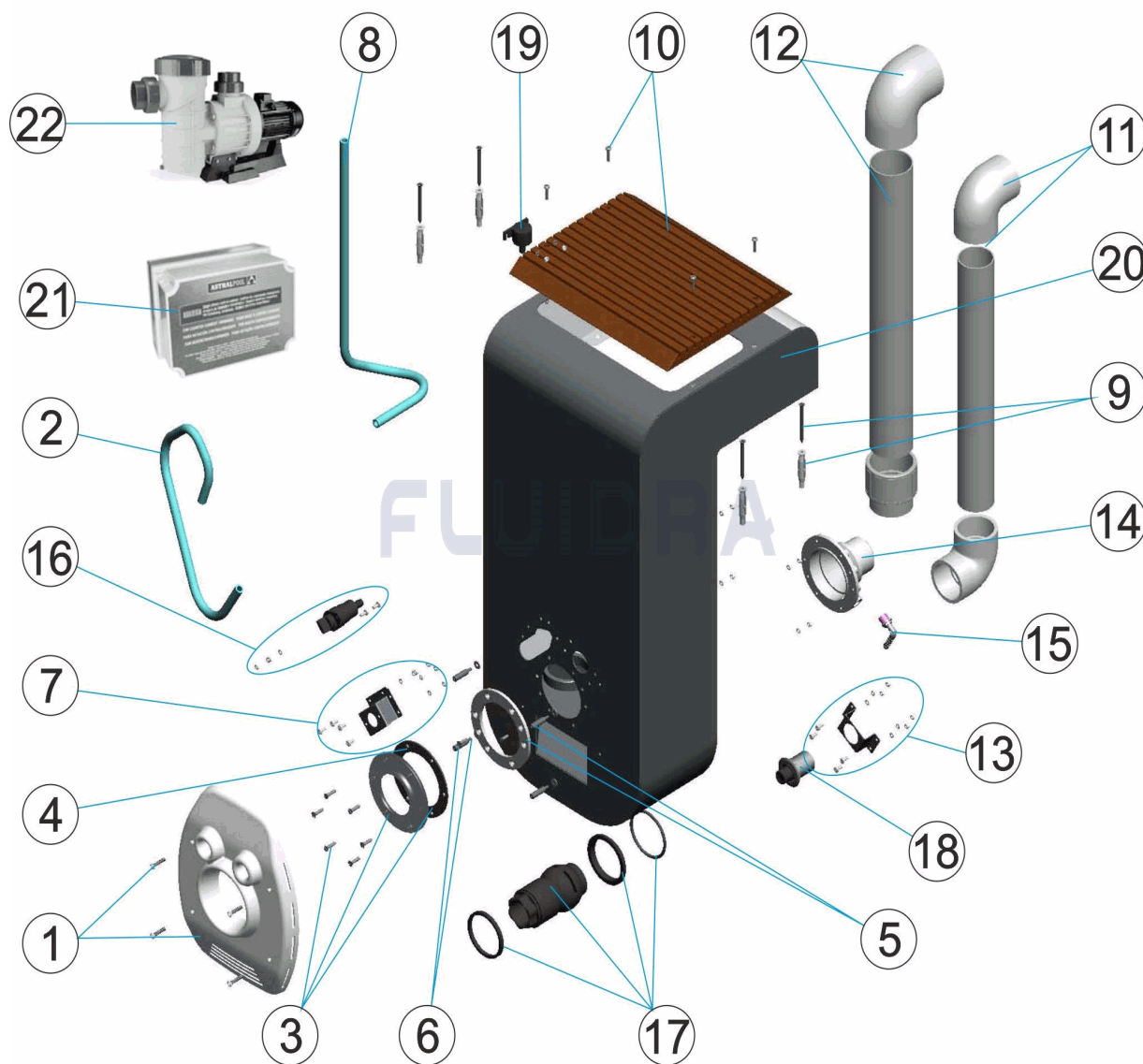


CODIGO 34374, 34375, 34376, 34377

DESCRIPCION: EQUIPO NATACION CONTRACORRIENTE



**ESPAÑOL**

POS	CODIGO	DESCRIPCION	CANTIDAD	POS	CODIGO	DESCRIPCION	CANTIDAD
1	4402050401	TAPA FRONTAL ECC.		14	4402050414	ALOJAMIENTO BOQUILLA	
2	4402050402	MANGUERA ASPIRACION		15	4402050415	CODO 3/8" D.12 NYLO "	
3	4402050403	SOPRTE + JUNTA ALOJAMIENTO		16	4402050416	VALVULA AIRE	
4	4402050404	JUNTA ALOJAMIENTO BOQUILLA		17	4402050417	CJTO. BOQUILLA	
5	4402050405	BRIDA FIJACION		18	4402050119	PULSADOR COMPLETO	
6	4402050406	CASQUILLO SEPARADOR		19	4402050109	VALVULA ASPIRACION AIRE	
7	4402050407	SOPORTE VENTURI		20	* 34374R1000	CUERPO ECC. SATINADO	
8	4402050408	MANGUERA VENTURI		20	* 34375R1000	CUERPO ECC. PINTADO	
9	4402050409	TACO FIJACION		21	* 25456	ARMARIO MANIOBRA PARA CONTRACORR	
10	4402050410	TAPA SUPERIOR MADERA		21	* 11510	ARMARIO MANIOBRA PARA CONTRACORR	
11	4402050411	CJTO. IMPULSION D. 63		22	* 23045	BOMBA ASTRAL VICTORIA	
12	4402050412	CJTO. IMPULSION D. 75		22	* 08004	BOMBA MAXIM	
13	4402050413	SOPORTE					

**CODIGO 34374, 34375, 34376, 34377**

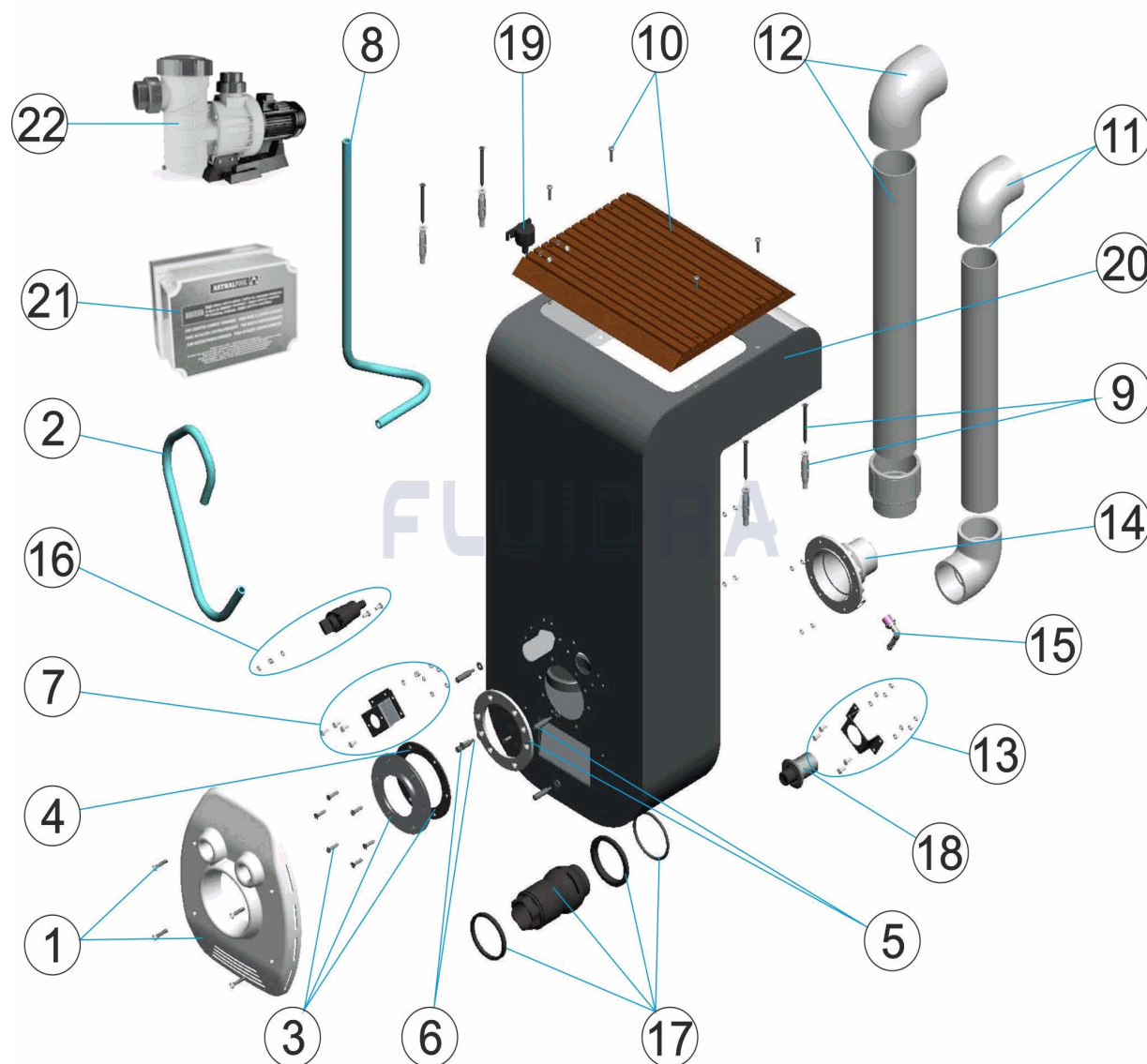
**DESCRIPCION: EQUIPO NATACION CONTRACORRIENTE**

## OBSERVACIONES

POS	CODIGO	OBSERVACIONES
20	* 34374R1000	PARA: 34374, 34376
20	* 34375R1000	PARA: 34375, 34377
21	* 25456	PARA: 34374, 34375
21	* 11510	PARA: 34376, 34377
22	* 23045	PARA: 34374, 34375
22	* 08004	PARA: 34376, 34377

CODE 34374, 34375, 34376, 34377

DESCRIPTION: ÉQUIPEMENT NAGE CONTRE-COURANT



FRANCAIS

POS	CODE	DESCRIPTION	QUANTITE	POS	CODE	DESCRIPTION	QUANTITE
1	4402050401	COUVERCLE AVANT ECC		14	4402050414	LOGEMENT BOUCHE	
2	4402050402	TUYAU ASPIRATION		15	4402050415	COUDE 3/8" D12 NYLO "	
3	4402050403	SUPPORT + JOINT		16	4402050416	VANNE AIR	
4	4402050404	JOINT FIXATION BOUCHE		17	4402050417	ENS BOUCHE	
5	4402050405	BRIDE FIXATION		18	4402050119	BOUTON POUSSOIR	
6	4402050406	CULOT SEPARATEUR		19	4402050109	VALVE ASPIRATION D'AIR	
7	4402050407	SUPPORT VENTURI		20	* 34374R1000	CORPS ECC SATINE	
8	4402050408	TUYAU VENTURI		20	* 34375R1000	CORPS ECC PEINT	
9	4402050409	CALLES D'ANCRAGE		21	* 25456	BOÎTIER DE COMMANDE POUR CONTRE-C	
10	4402050410	COUVERCLE SUPERIEUR BOIS		21	* 11510	BOÎTIER DE COMMANDE POUR CONTRE-C	
11	4402050411	ENS. IMPULSION D63		22	* 23045	POMPE ASTRAL VICTORIA	
12	4402050412	ENS. IMPULSION D75		22	* 08004	POMPE MAXIM	
13	4402050413	SUPPORT					

\* VOIR FICHE D'OBSERVATIONS

CODE **34374, 34375, 34376, 34377**

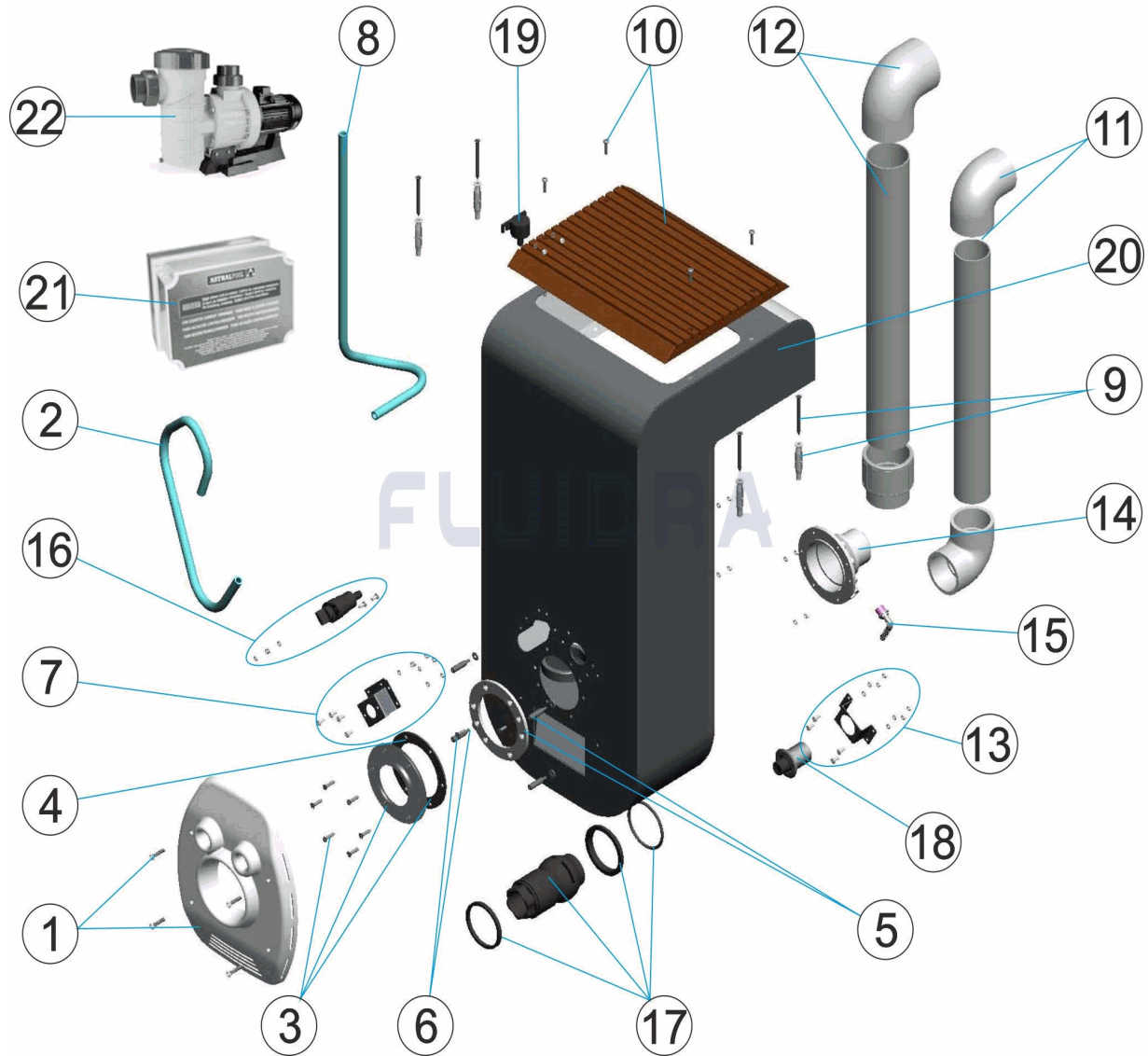
DESCRIPTION: **ÉQUIPEMENT NAGE CONTRE-COURANT**

**OBSERVATIONS**

POS	CODE	OBSERVATIONS
20	* 34374R1000	POUR: 34374, 34376
20	* 34375R1000	POUR: 34375, 34377
21	* 25456	POUR: 34374, 34375
21	* 11510	POUR: 34376, 34377
22	* 23045	POUR: 34374, 34375
22	* 08004	POUR: 34376, 34377

CODE **34374, 34375, 34376, 34377**

DESCRIPTION: **COUNTER-CURRENT SWIMMING EQUIPMENT**



**ENGLISH**

POS	CODE	DESCRIPTION	QUANTITY	POS	CODE	DESCRIPTION	QUANTITY
1	4402050401	CC. FRONT COVER		14	4402050414	NOZZLE HOUSING	
2	4402050402	SUCTION HOSE		15	4402050415	NYLON D.12 3/8" ELBO "	
3	4402050403	SUPPORT + HOUSING JOINT		16	4402050416	AIR VALVE	
4	4402050404	NOZZLE HOUSING JOINT		17	4402050417	NOZZLE UNIT	
5	4402050405	FIXING FLANGE		18	4402050119	COMPLETE SWITCH	
6	4402050406	SEPARATOR FERRULE		19	4402050109	AIR SUCTION VALVE	
7	4402050407	VENTURI BRACKET		20	* 34374R1000	SATIN-EFFECT CC. BODY	
8	4402050408	VENTURI HOSE		20	* 34375R1000	PAINTED CC. BODY	
9	4402050409	WEDGE		21	* 25456	CONTROL PANEL FOR COUNTERCURRENT	
10	4402050410	WOODEN UPPER COVER		21	* 11510	CONTROL PANEL FOR COUNTERCURRENT	
11	4402050411	D. 63 DISCHARGE UNIT		22	* 23045	ASTRAL VICTORIA PUMP	
12	4402050412	D. 75 DISCHARGE UNIT		22	* 08004	MAXIM PUMP	
13	4402050413	BRACKET					

CODE                    **34374, 34375, 34376, 34377**

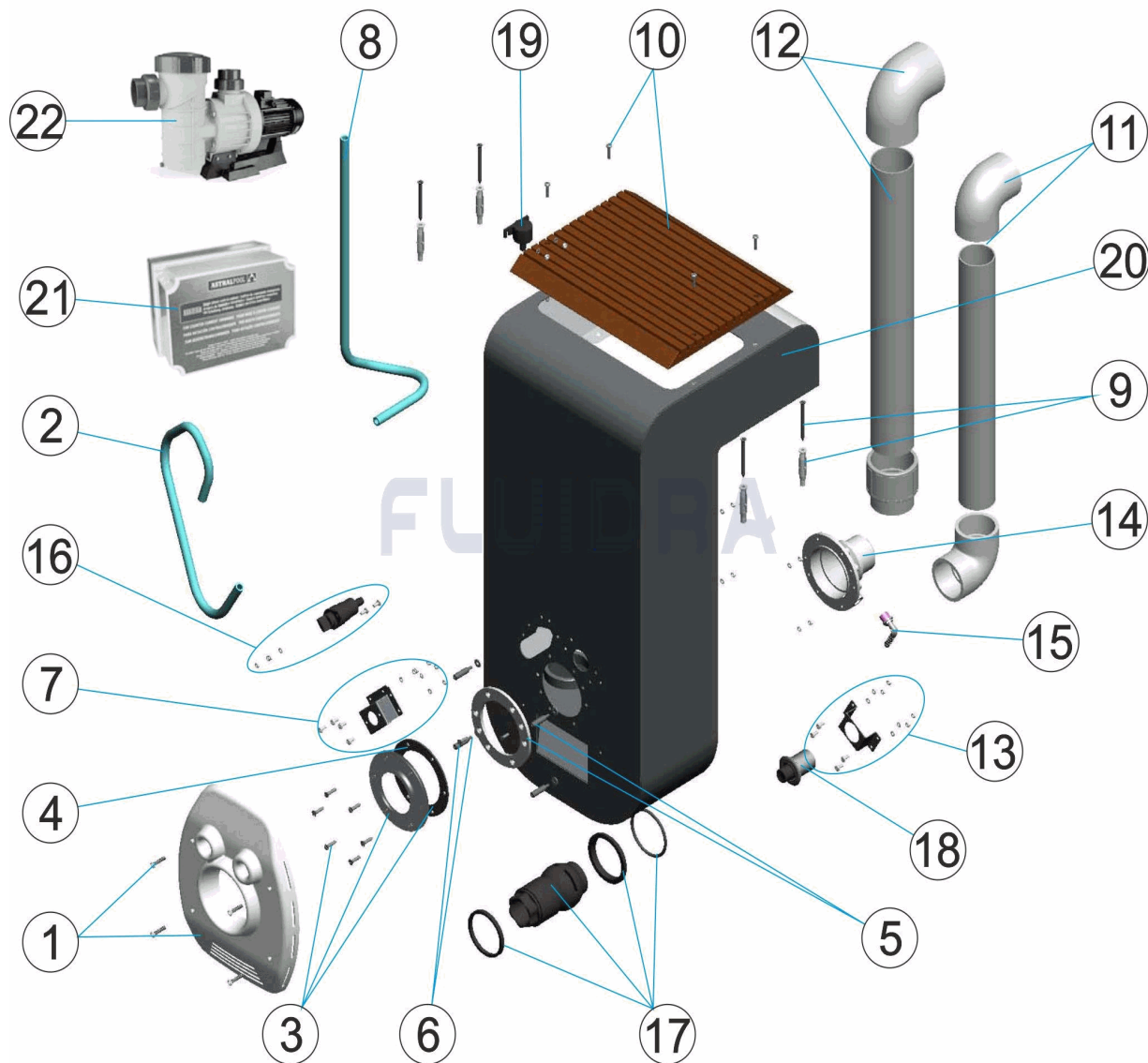
DESCRIPTION: **COUNTER-CURRENT SWIMMING EQUIPMENT**

## OBSERVATIONS

POS	CODE	OBSERVATIONS
20	* 34374R1000	FOR: 34374, 34376
20	* 34375R1000	FOR: 34375, 34377
21	* 25456	FOR: 34374, 34375
21	* 11510	FOR: 34376, 34377
22	* 23045	FOR: 34374, 34375
22	* 08004	FOR: 34376, 34377

CODICE **34374, 34375, 34376, 34377**

DESCRIZIONE: **ATTREZZATURA NUOTO CONTROCORRENTE**



**ITALIANO**

POS	CODICE	DESCRIZIONE	QUANTITA'	POS	CODICE	DESCRIZIONE	QUANTITA'
1	4402050401	COPERCHIO FRONTALE NCC		14	4402050414	NICCHIA BOCCHETTA	
2	4402050402	TUBO ASPIRAZIONE		15	4402050415	GOMITO 3/8" D.12 NYLO "	
3	4402050403	SUPPORTO+GUARNIZIONE CUSTODIA		16	4402050416	VALVOLA ARIA	
4	4402050404	GUARNIZIONE CUSTODIA BOCCHETTA		17	4402050417	KIT BOCCHETTA	
5	4402050405	FLANGIA FISSAGGIO		18	4402050119	PULSANTE COMPLETO	
6	4402050406	DISTANZIALE		19	4402050109	VALVOLA DI ASPIRAZIONE ARIA	
7	4402050407	SUPPORTO VENTURI		20	* 34374R1000	CORPO NCC SATINATO	
8	4402050408	TUBO VENTURI		20	* 34375R1000	CORPO NCC VERNICIATO	
9	4402050409	TASSELLO FISSAGGIO		21	* 25456	CASSETTA DI MANOVRA PER CONTROCOF	
10	4402050410	COPERCHIO SUPERIORE LEGNO		21	* 11510	CASSETTA DI MANOVRA PER CONTROCOF	
11	4402050411	KIT IMPULSIONE D.63		22	* 23045	POMPA ASTRAL VICTORIA	
12	4402050412	KIT IMPULSIONE D.75		22	* 08004	POMPA MAXIM	
13	4402050413	SUPPORTO					

CODICE                    **34374, 34375, 34376, 34377**

DESCRIZIONE: **ATTREZZATURA NUOTO CONTROCORRENTE**

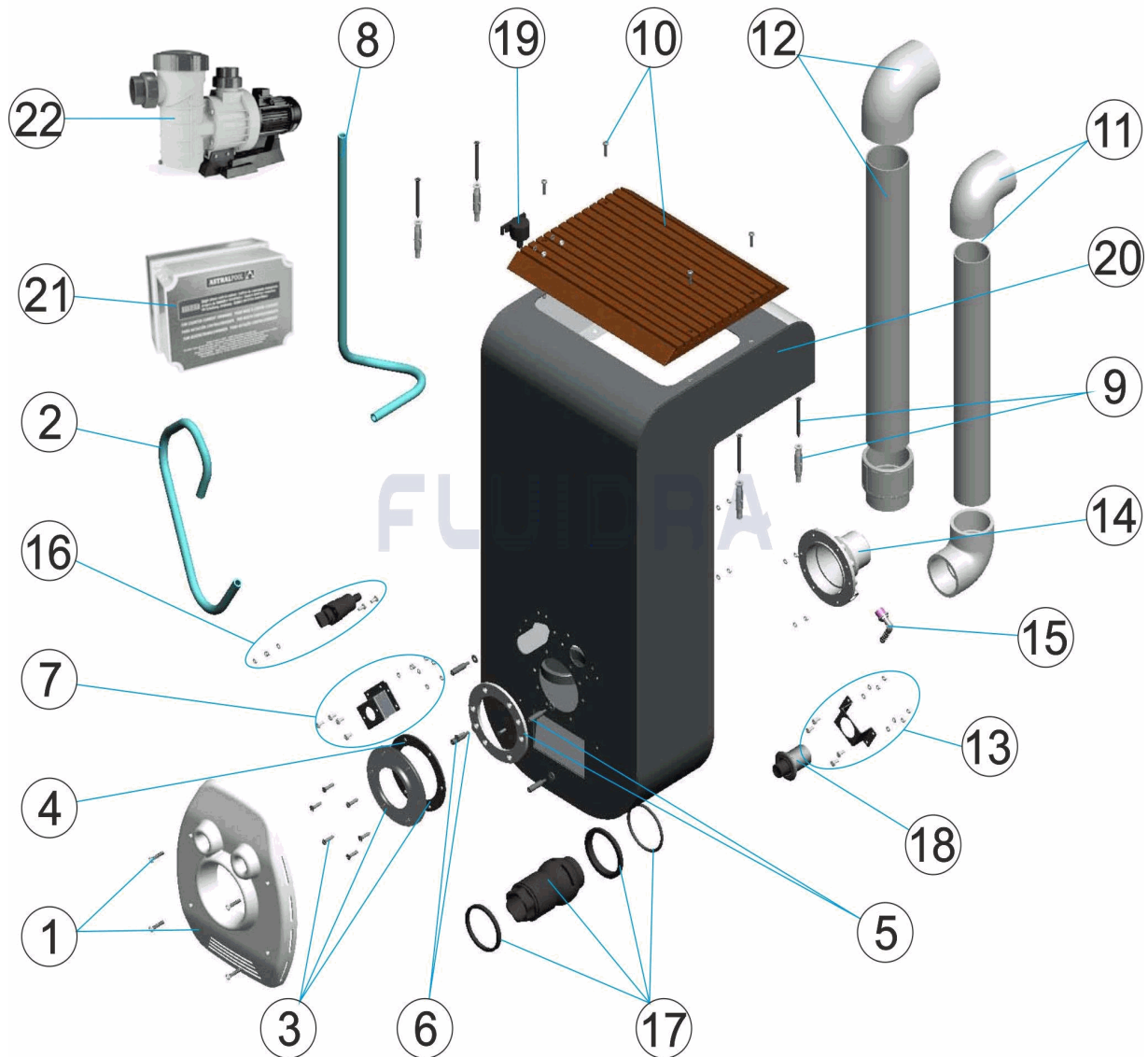
## OSSERVAZIONI

POS	CODICE	OSSERVAZIONI
20	* 34374R1000	PER: 34374, 34376
20	* 34375R1000	PER: 34375, 34377
21	* 25456	PER: 34374, 34375
21	* 11510	PER: 34376, 34377
22	* 23045	PER: 34374, 34375
22	* 08004	PER: 34376, 34377



CODE **34374, 34375, 34376, 34377**

BESCHREIBUNG: **GEGENSCHWIMMGERÄT**



**DEUTSCH**

POS	CODE	BESCHREIBUNG	MENGE	POS	CODE	BESCHREIBUNG	MENGE
1	4402050401	FRONTDECKEL ECC.		14	4402050414	DÜSENLAGER	
2	4402050402	SAUGSCHLAUCH		15	4402050415	WINKEL 3/8" D. 12 NYLO "	
3	4402050403	HALTERUNG UND DICHTUNG LAGER		16	4402050416	LUFTVENTIL	
4	4402050404	DICHTUNG LAGER DÜSE		17	4402050417	SET DÜSE	
5	4402050405	BEFESTIGUNGSFLANSCH		18	4402050119	DRUCKTASTER KOMPLETT	
6	4402050406	ZWISCHESTÜCK		19	4402050109	VENTIL LUFTANSAUGUNG	
7	4402050407	HALTERUNG VENTURI		20	* 34374R1000	GEHÄUSE ECC. SATIN	
8	4402050408	SCHLAUCH VENTURI		20	* 34375R1000	GEHÄUSE ECC. LACKIERT	
9	4402050409	KLEMMKEIL		21	* 25456	STEUERSCHRANK FÜR GEGENSTROMDÜSE	
10	4402050410	ABDECKUNG OBEN HOLZ		21	* 11510	STEUERSCHRANK FÜR GEGENSTROMDÜSE	
11	4402050411	SET EINLAUF D. 63		22	* 23045	PUMPE ASTRAL VICTORIA	
12	4402050412	SET EINLAUF D. 75		22	* 08004	PUMPE MAXIM	
13	4402050413	HALTERUNG					

CODE                    **34374, 34375, 34376, 34377**

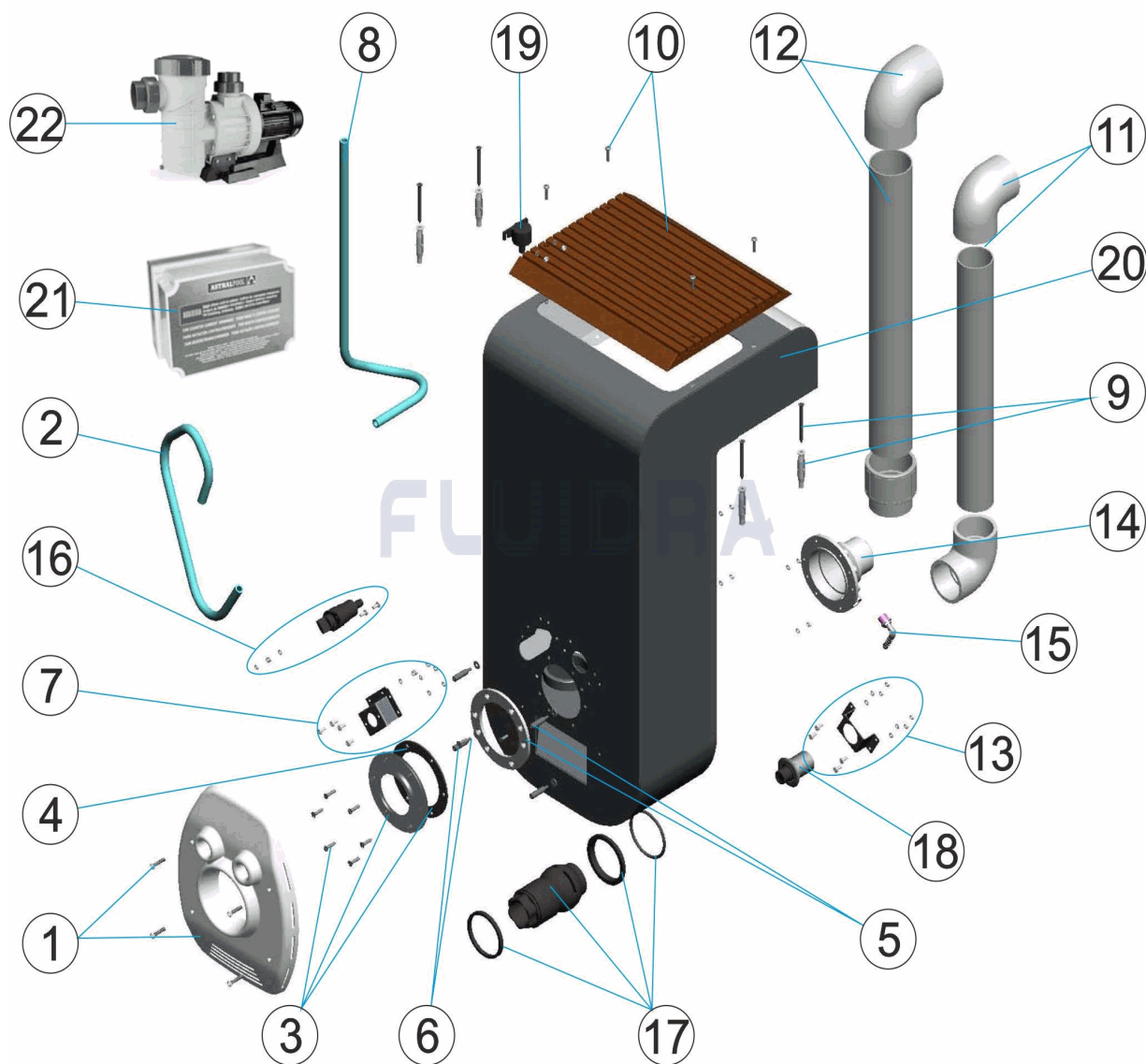
BESCHREIBUNG: **GEGENSCHWIMMGERÄT**

## HINWEISE

POS	CODE	HINWEISE
20	* 34374R1000	FÜR: 34374, 34376
20	* 34375R1000	FÜR: 34375, 34377
21	* 25456	FÜR: 34374, 34375
21	* 11510	FÜR: 34376, 34377
22	* 23045	FÜR: 34374, 34375
22	* 08004	FÜR: 34376, 34377

**CODIGO 34374, 34375, 34376, 34377**

**DESCRIÇÃO: EQUIPAMENTO NATAÇÃO CONTRA-CORRENTE**



**PORTUGUES**

POS	CODIGO	DESCRIÇÃO	JANTIDADE	POS	CODIGO	DESCRIÇÃO	JANTIDADE
1	4402050401	TAMPA FRONTAL ECC		14	4402050414	ALOJAMENTO BOCA	
2	4402050402	MANGUEIRA ASPIRAÇÃO		15	4402050415	JOELHO 3/8" D.12 NYLO "	
3	4402050403	SUPORTE + JUNTA DE ALOJAMENTO		16	4402050416	VALVULA DE AR	
4	4402050404	JUNTA ALOJAMENTO DA BOCA		17	4402050417	CONJUNTO BOCA	
5	4402050405	FLANGE DE FIXAÇÃO		18	4402050119	PURSÁTIL COMPLETO	
6	4402050406	CASQUILHO SEPARADOR		19	4402050109	VÁLVULA ASPIRAÇÃO AR	
7	4402050407	SUPORTE VENTURI		20	* 34374R1000	CORPO ECC SATINADO	
8	4402050408	MANGUEIRA VENTURI		20	* 34375R1000	CORPO ECC PINTADOCORPO ECC SATINA	
9	4402050409	TACO FIXAÇÃO		21	* 25456	QUADRO DE COMANDO PARA CONTRACOI	
10	4402050410	TAMPA SUPERIOR DE MADEIRA		21	* 11510	QUADRO DE COMANDO PARA CONTRACOI	
11	4402050411	CONJUNTO DE IMPULSÃO D.63		22	* 23045	BOMBA ASTRAL VICTORIA	
12	4402050412	CONJUNTO DE IMPULSÃO D.75		22	* 08004	BOMBA MAXIM	
13	4402050413	SUPORTE					

**CODIGO**                    **34374, 34375, 34376, 34377**

**DESCRIÇÃO: EQUIPAMENTO NATAÇÃO CONTRA-CORRENTE**

## OBSERVAÇÕES

POS	CODIGO	OBSERVAÇÕES
20	* 34374R1000	PARA: 34374, 34376
20	* 34375R1000	PARA: 34375, 34377
21	* 25456	PARA: 34374, 34375
21	* 11510	PARA: 34376, 34377
22	* 23045	PARA: 34374, 34375
22	* 08004	PARA: 34376, 34377