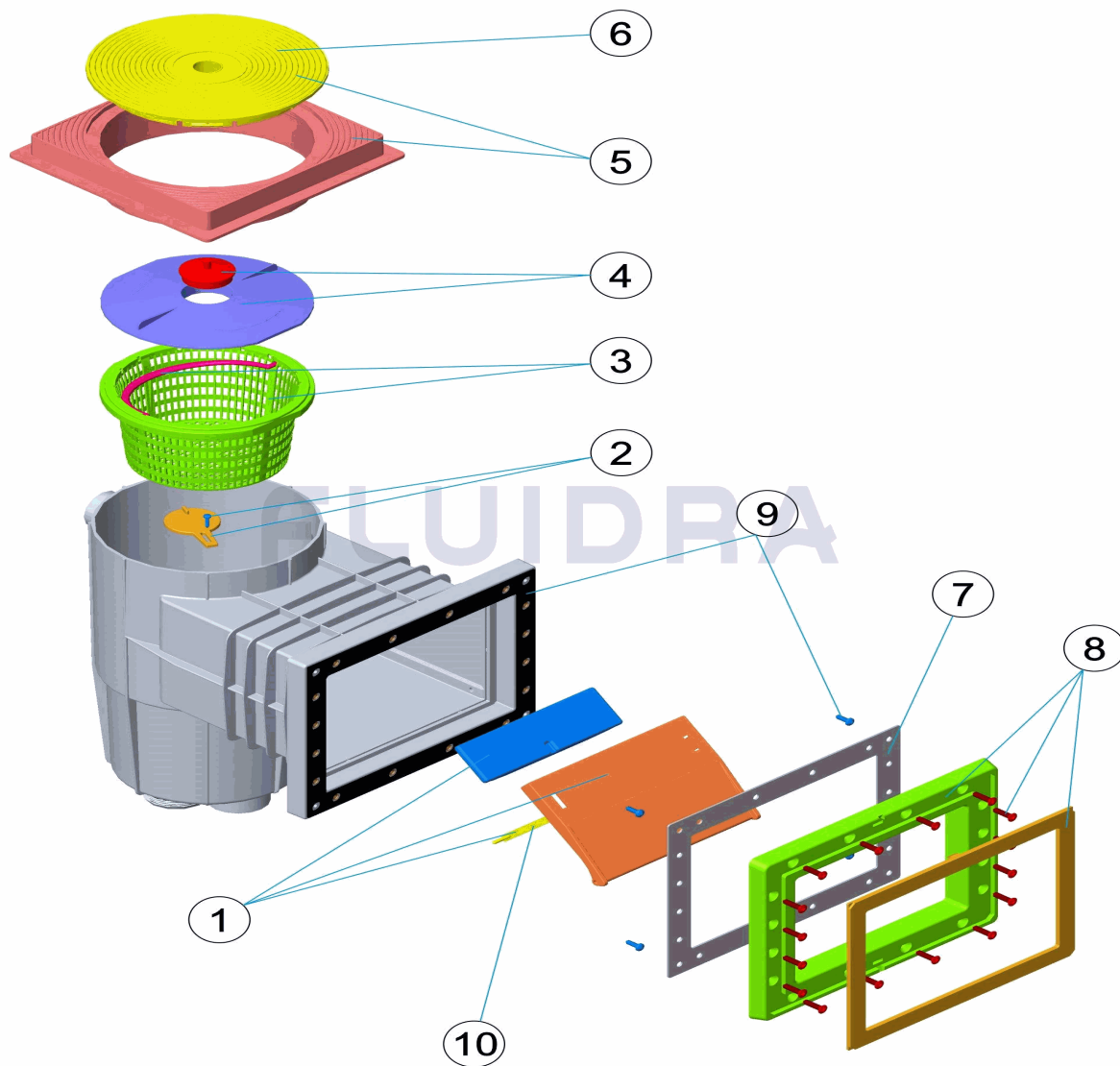


CODIGO **01462**

DESCRIPCION: **SKIMMER 15L PP .STD. T. CUADRADA**

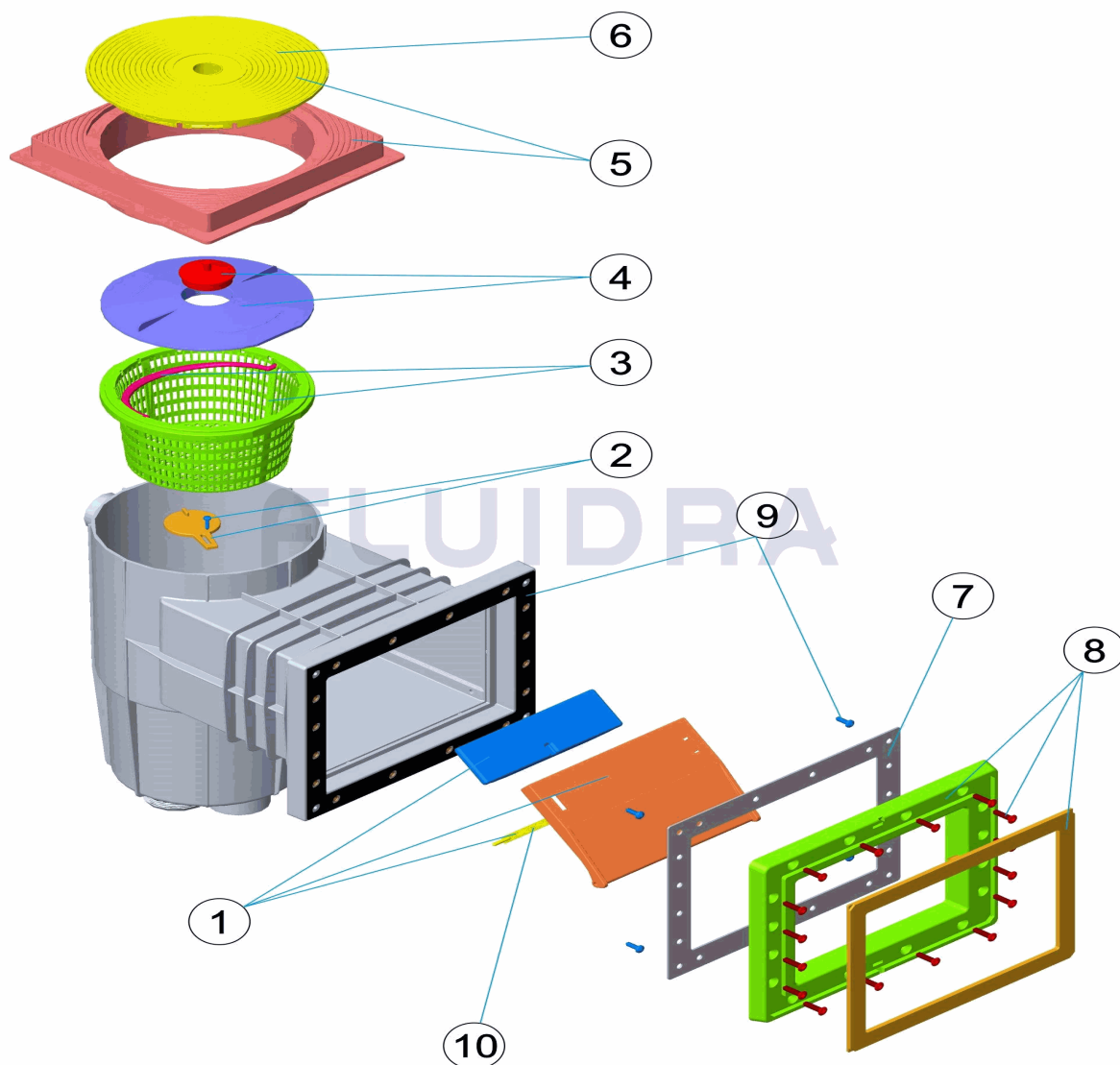


ESPAÑOL

POS	CODIGO	DESCRIPCION	CANTIDAD	POS	CODIGO	DESCRIPCION	CANTIDAD
1	44020101	COMPUERTA SKIMMER BISAGRA		6	4402010108	TAPA CIRCULAR SKIMMER	
2	44020102	CLAPETA SKIMMER		7	4402010307	JUNTA SKIMMER PEQUEÑA PISC. PREF.	
3	44020103	CESTO SKIMMER		8	4402010308	MARCO PEQUEÑO SKIMMER	
4	44020104	TAPA CESTO SKIMMER CON TAPON		9	4402011113	MARCO ADAPTADOR BOCA	
5	44020106	TAPA Y ARO CUADRADO SKIMMER		10	4402010110	BISAGRA COMPUERTA	

CODE 01462

DESCRIPTION: SKIMMER 15L PP .STD. C. CARRÉ

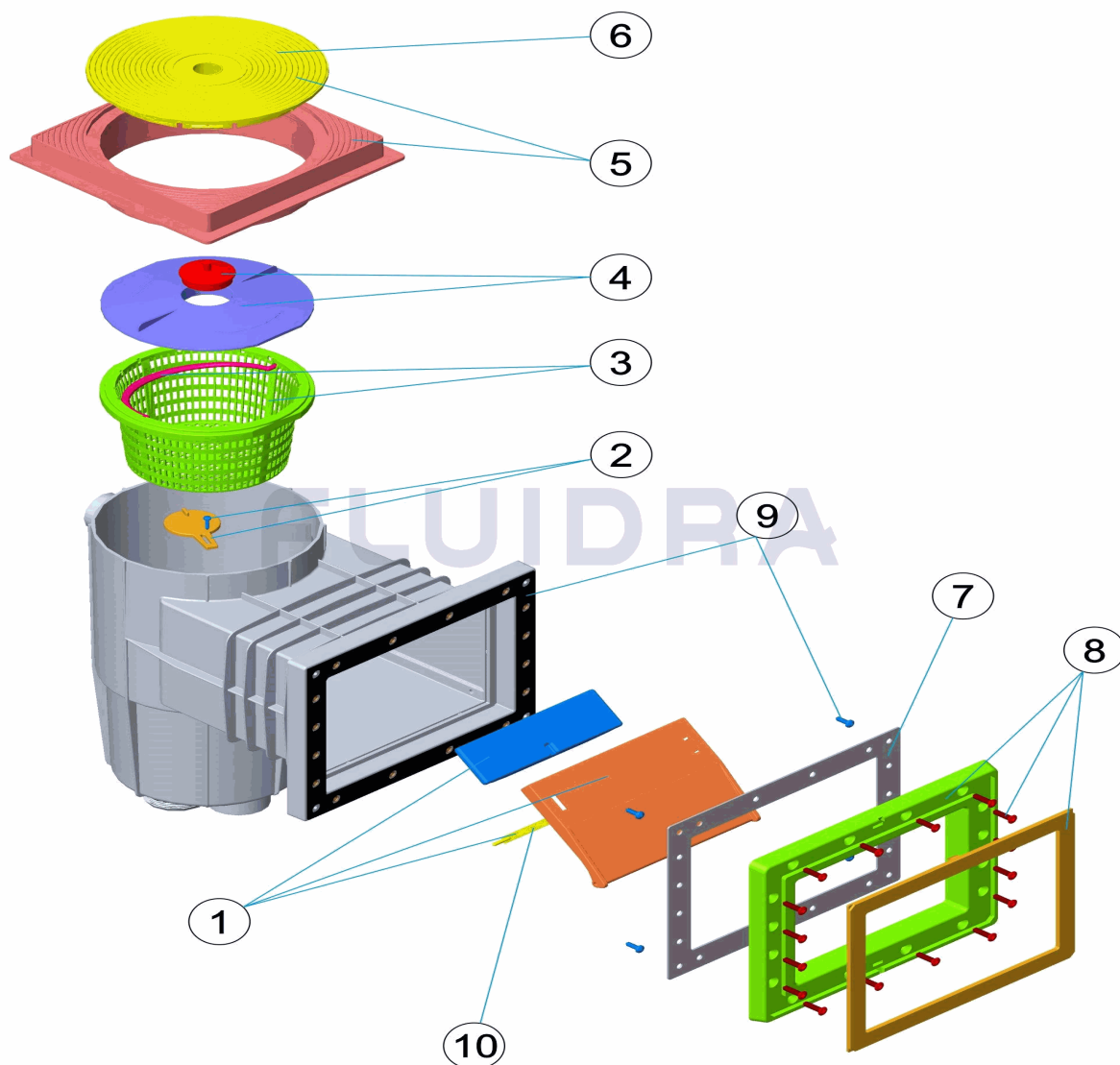


FRANCAIS

POS	CODE	DESCRIPTION	QUANTITE	POS	CODE	DESCRIPTION	QUANTITE
1	4402010101	VOLET ET CHARNIERE SKIMMER		6	4402010108	COUVERCLE ROND SKIMMER	
2	4402010102	CLAPET SKIMMER		7	4402010307	JOINT SKIM PETIT MODELE PISCINE LINER	
3	4402010103	PANIER SKIMMER		8	4402010308	BRIDE ET CACHE VIS KIT LINER	
4	4402010104	COUVERCLE PANIER SKIMMER AVEC BOU		9	4402011113	CADRE ADAPTEUR BOUCHE	
5	4402010106	COUVERCLE ET CADRE CARRE SKIMMER		10	4402010110	CHARNIERE VOLET	

CODE 01462

DESCRIPTION: SKIMMER 15L PP. STD. SQUARE COVER

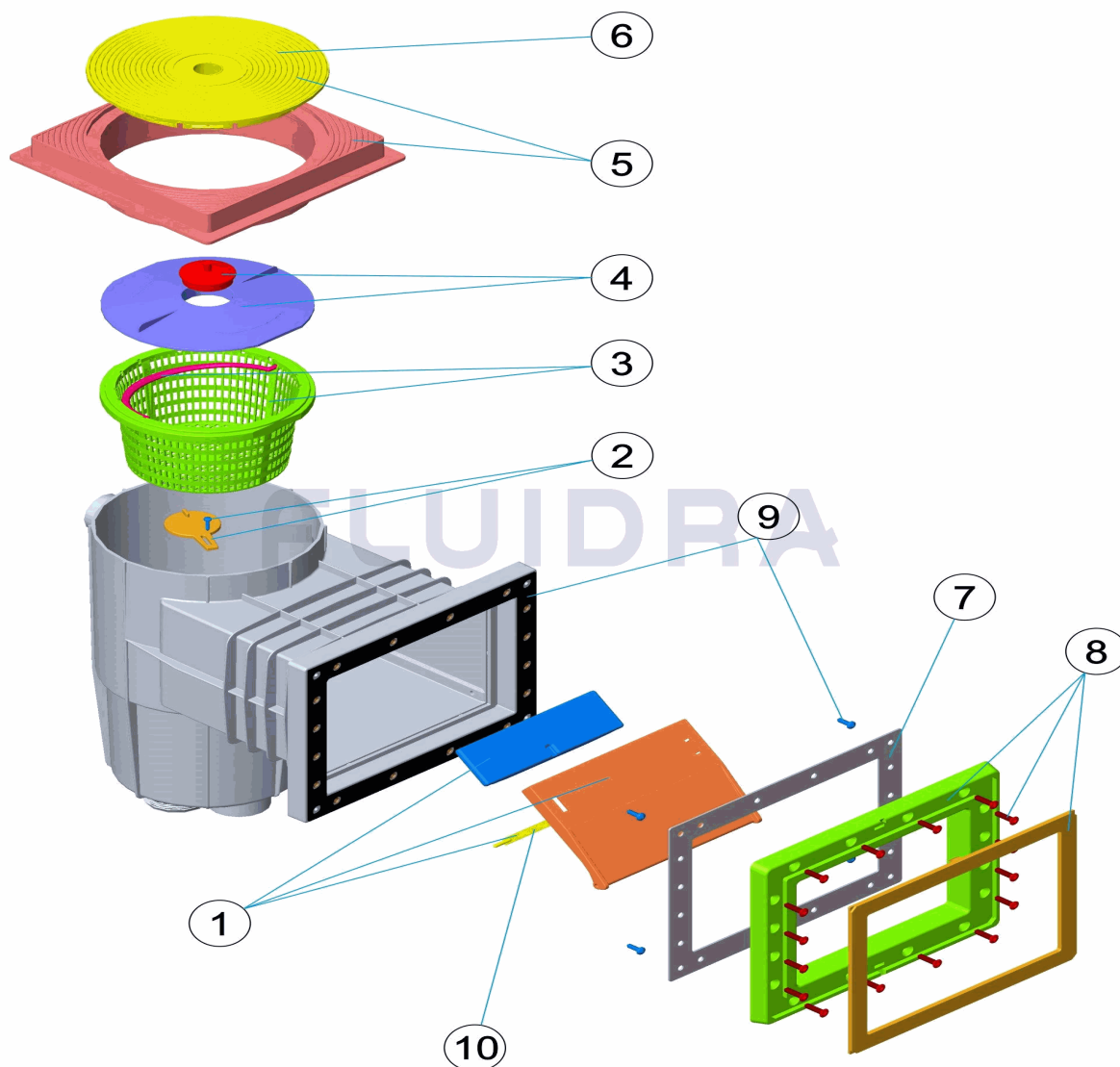


ENGLISH

POS	CODE	DESCRIPTION	QUANTITY	POS	CODE	DESCRIPTION	QUANTITY
1	44020101	FLAP RETAINING CLIP		6	4402010108	CIRCULAR SKIMMER LID	
2	44020102	KEYHOLE FLAP		7	4402010307	SMALL SKIMMER GASKETS FOR LINER PO	
3	44020103	SKIMMER BASKET		8	4402010308	SMALL SKIMMER FRAME	
4	44020104	VACUUM PLATE WITH PLUG		9	4402011113	ADAPTOR FRAME	
5	44020106	SQUARE LID AND LID FRAME		10	4402010110	HINGE FLAP	

CODICE 01462

DESCRIZIONE: SKIMMER 15L PP STD. T. QUADRATO

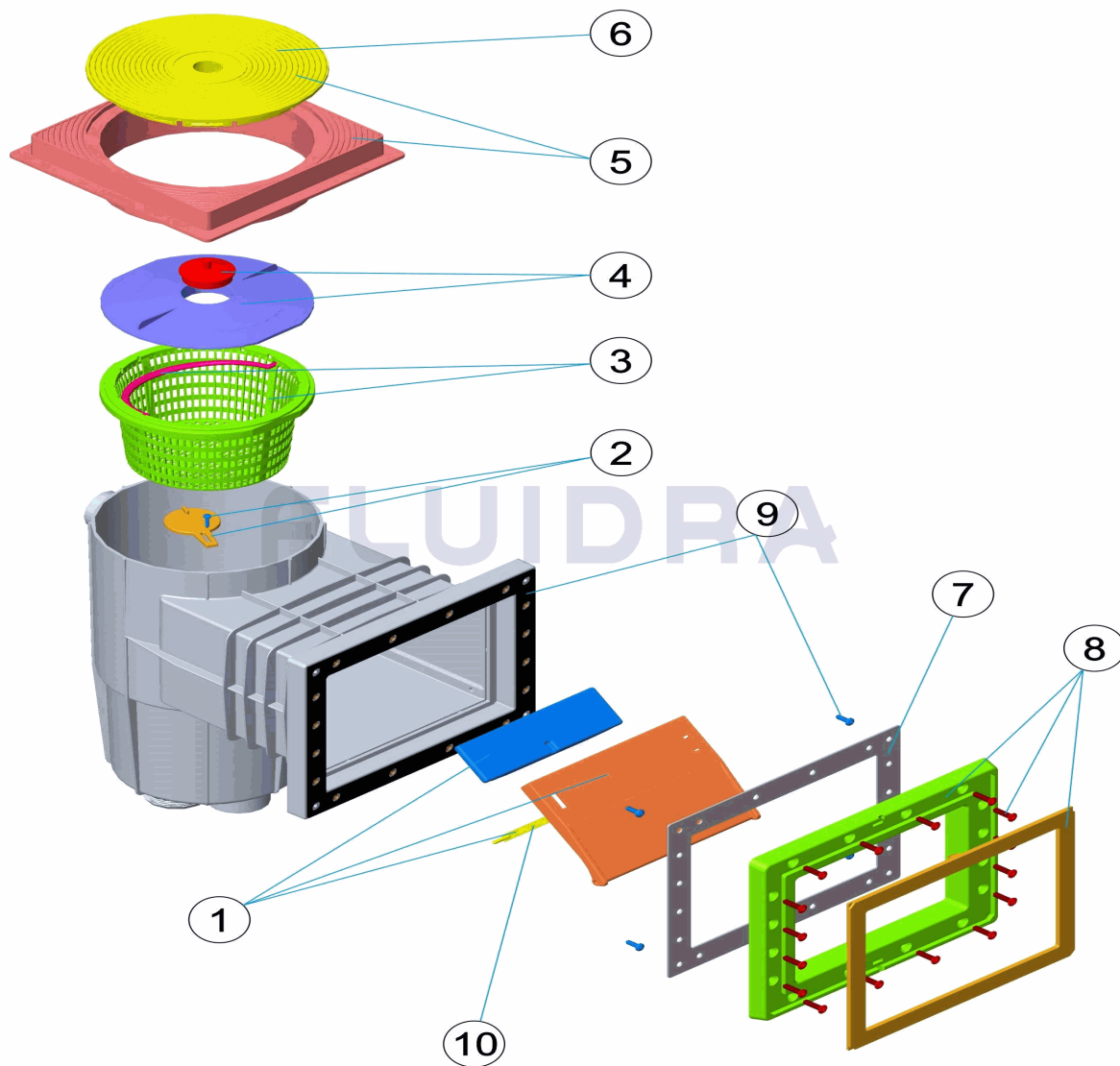


ITALIANO

POS	CODICE	DESCRIZIONE	QUANTITA'	POS	CODICE	DESCRIZIONE	QUANTITA'
1	4402010101	BATTENTE SKIMMER CON PERNO		6	4402010108	COPERCHIO TONDO SKIMMER	
2	4402010102	ALETTA PARZIALIZZATRICE SKIMMER		7	4402010307	GUARNIZIONE PER SKIMMER BASE P.F.	
3	4402010103	CESTELLO SKIMMER		8	4402010308	CORNICE PICCOLA SKIMMER	
4	4402010104	COPERCHIO CESTELLO SKIMMER CON TA		9	4402011113	FLANGIA ADATTATORE BOCA	
5	4402010106	COPERCHIO E CORNICE QUADRA SKIMME		10	4402010110	CERNIERE BATTENTE	

CODE **01462**

BESCHREIBUNG: **SKIMMER 15L PP STANDARD ABDECKUNG QUADRATISCH**

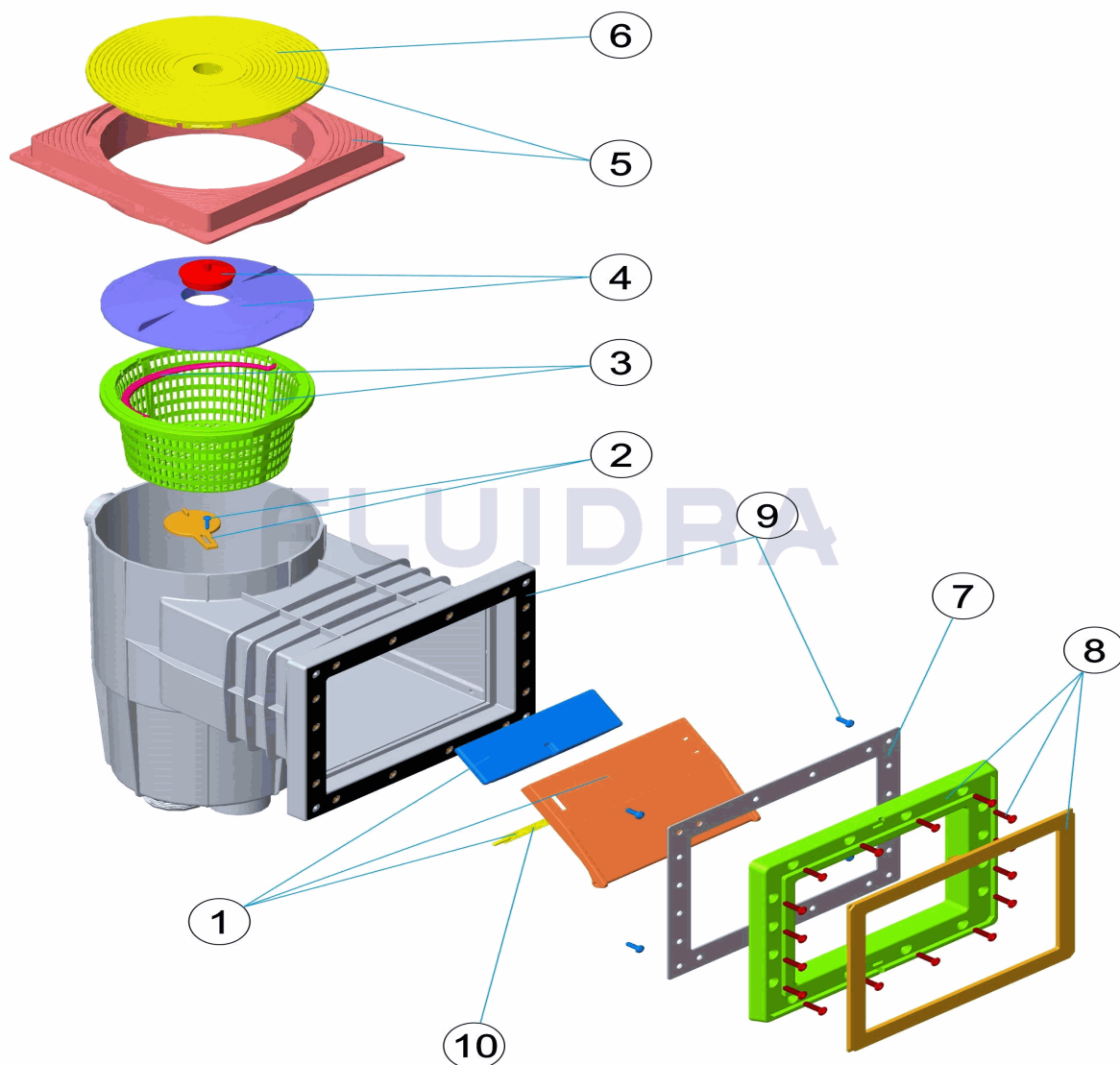


DEUTSCH

POS	CODE	BESCHREIBUNG	MENGE	POS	CODE	BESCHREIBUNG	MENGE
1	4402010101	SKIMMERKLAPPE SCHARNIER		6	4402010108	ABDECKUNG RUND SKIMMER	
2	4402010102	ABDECKKAPPE		7	4402010307	DICHTUNG SKIMMER KLEIN FERTIGBECKE	
3	4402010103	SKIMMERKORB		8	4402010308	KLEINER SKIMMERRAHMEN	
4	4402010104	ABDECKUNG SKIMMKORB MIT STOPFEN		9	4402011113	ADAPTERRAHMEN EINLASS	
5	4402010106	ABDECKUNG UND RING SKIMMER QUADR		10	4402010110	SCHARNIER Klappe	

CODIGO **01462**

DESCRIÇÃO: **SKIMMER 15 L PP B. LARGA T. QUADRADA**



PORTUGUES

POS	CODIGO	DESCRIÇÃO	JANTIDADE	POS	CODIGO	DESCRIÇÃO	JANTIDADE
1	4402010101	COMPORTA SKIMMER BISAGRA		6	4402010108	TAMPA CIRCULAR SKIMMER	
2	4402010102	CLAPETA SKIMMER		7	4402010307	JUNTA PEQUENA DE SKIMMER	
3	4402010103	CESTO SKIMMER		8	4402010308	ARO PEQUENO SKIMMER	
4	4402010104	TAMPA CESTO SKIMMER		9	4402011113	CAIXILHO ADAPTADOR BOCA	
5	4402010106	TAMPA E ARO QUADRADO SKIMMER		10	4402010110	DOBRADIÇA COMPORTA	